

MATERIAL AND FINISHES:

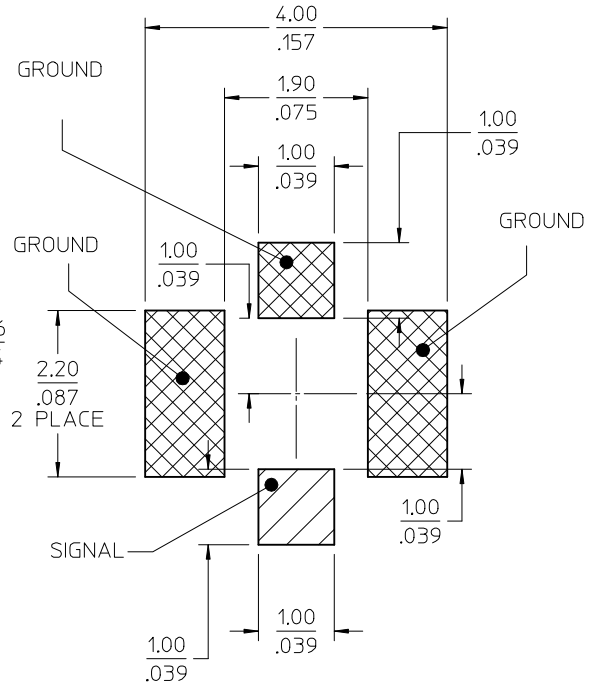
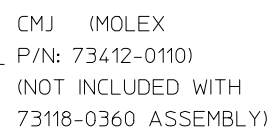
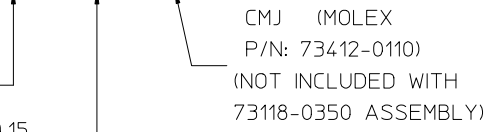
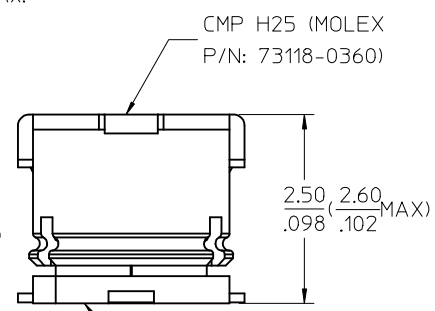
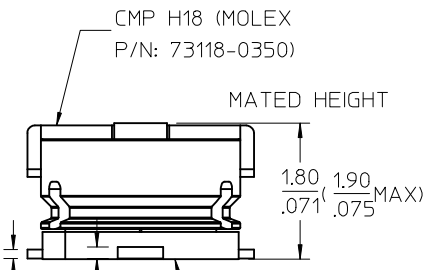
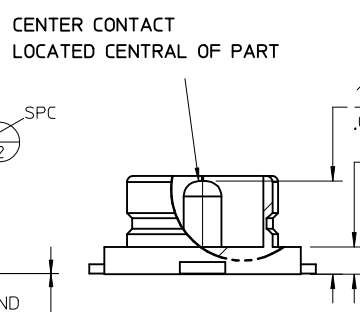
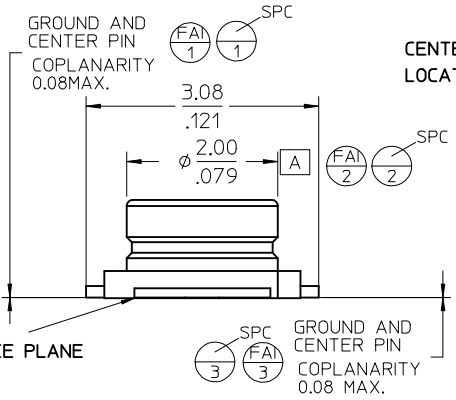
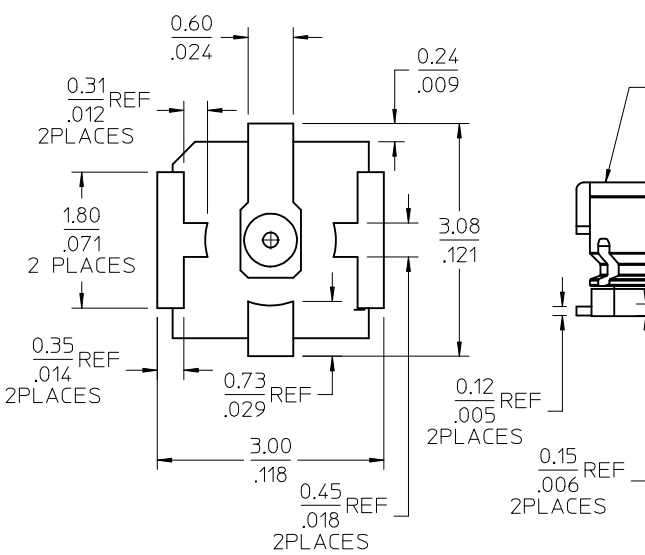
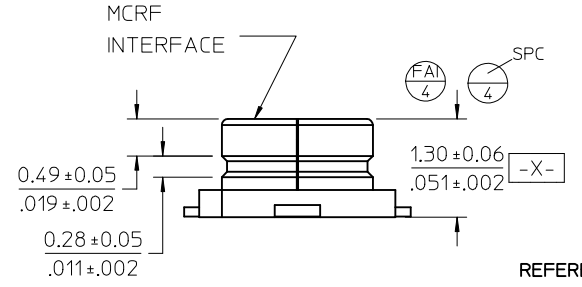
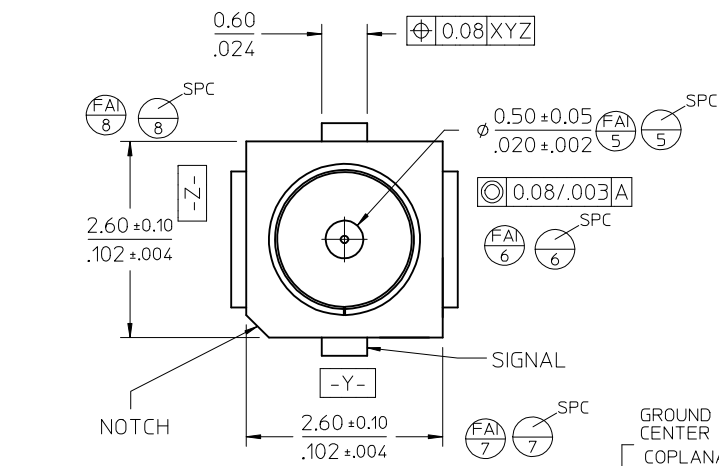
BASE: LCP SIVERAS L304T40B

CONTACT: BRASS
C2680 (t=0.15)
PLATED: GOLD (0.03 MICROMETER MINIMUM) OVER NICKEL (1~4 MICROMETER)

OUTER CONTACT: PHOSPHOR BRONZE (JIS 5191-SH)
C5210 (t=0.12)
PLATED: GOLD (0.03 MICROMETER MINIMUM) OVER NICKEL (1~4 MICROMETER)

WILL WITHSTAND REFLOW TEMPERATURE OF 260 DEG C 40 SEC MAXIMUM

VSWR
DC-3GHz: 1.18 MAX
DC-6GHz: 1.30 MAX



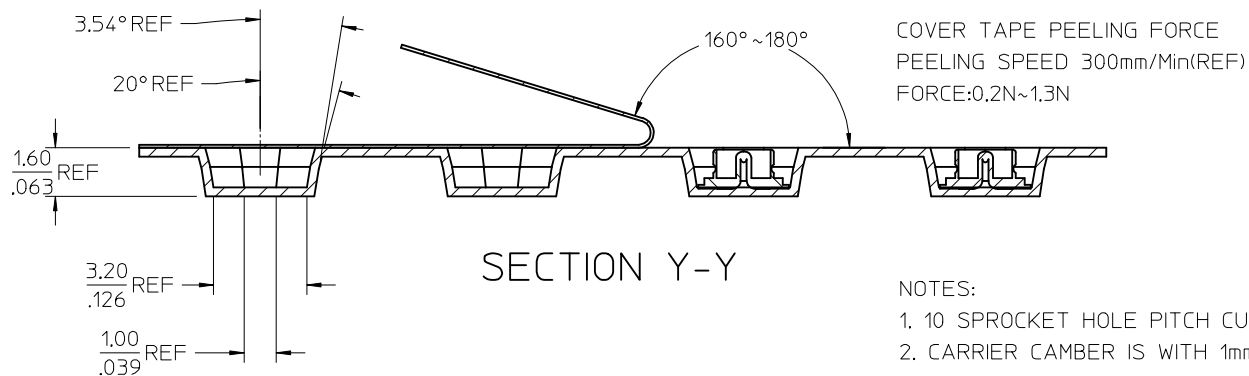
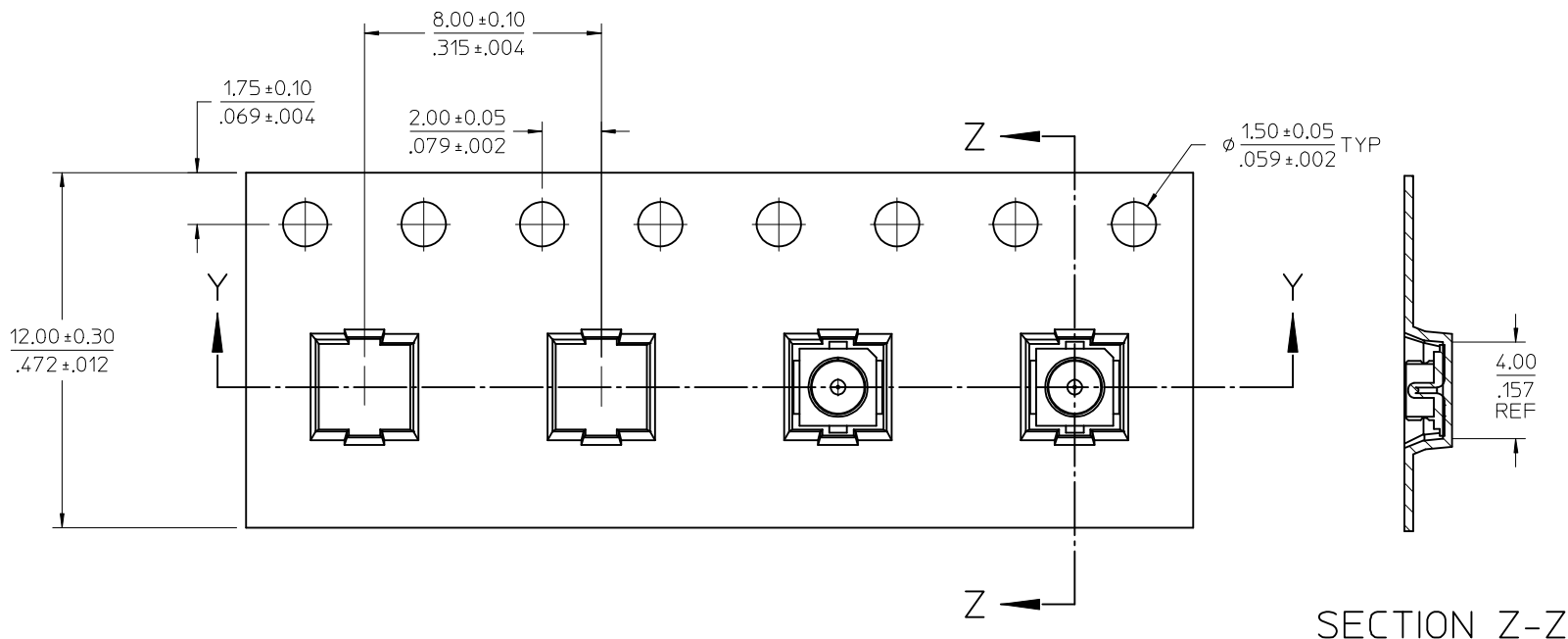
73412-0114	TAPE AND REEL (1K/REEL)
73412-0112	73412-0110, 10 PIECES PER BAG IN TAPE
73412-0110	TAPE AND REEL (5K/REEL)
PART NO.	PACKAGING

CHG: IADD SOLDER PAD DIM.	2015/07/13
ZMCRF INTERFACE WAS	2015/07/13
UFL INTERFACE	2015/07/13
EC NO: URF2016-0017	2015/07/13
DRWN: YCHENG	2015/07/13
CHKD:	
APPR: YCHENG	2015/07/23

QUALITY SYMBOLS	GENERAL TOLERANCES (UNLESS SPECIFIED)
▽=0	mm INCH
▽=0	4 PLACES ± --- ± ---
	3 PLACES ± --- ± ---
	2 PLACES ± 0.25 ± ---
	1 PLACE ± 0.13 ± ---
	ANGULAR ± 2 °
	DRAFT WHERE APPLICABLE MUST REMAIN WITHIN DIMENSIONS

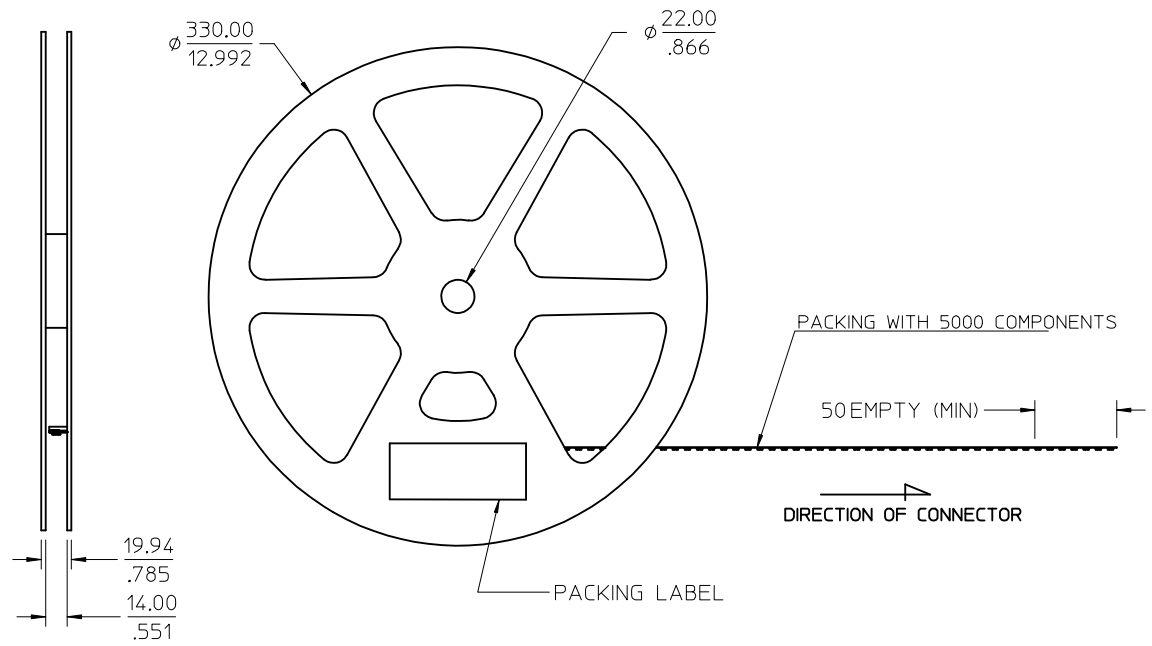
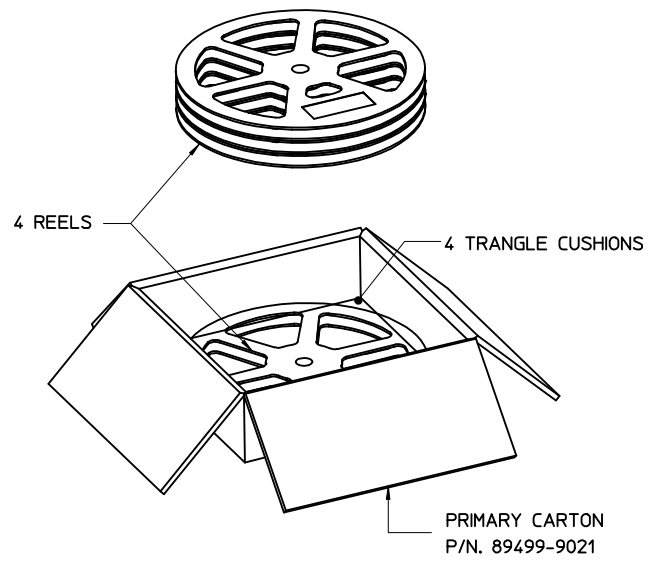
DIMENSION STYLE		SCALE	DESIGN UNITS	THIRD ANGLE PROJECTION
MM/IN			METRIC	
DRAWN BY	DATE	TITLE		
DARRY	2003/1/27	MCRF RECEPTACLE VERTICAL MCRF-J		
CHECKED BY	DATE	MOLEX INCORPORATED		
JOHNSON	2003/1/27	SD-73412-011		
APPROVED BY	DATE	SHEET NO.		
MHUANG	2010/11/28	1 OF 3		
MATERIAL NO.	DOCUMENT NO.	THIS DRAWING CONTAINS INFORMATION THAT IS PROPRIETARY TO MOLEX INCORPORATED AND SHOULD NOT BE USED WITHOUT WRITTEN PERMISSION		
SEE TABLE				

PS-73598-0210	PROD SPEC
SPECIFICATION	DESCRIPTION

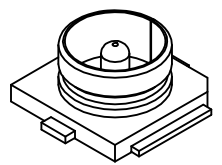


- NOTES:
- 10 SPROCKET HOLE PITCH CUMULATIVE TOLERANCE $\pm 0.20\text{mm}$
 - CARRIER CAMBER IS WITH 1mm IN 250mm
 - MATERIAL : TRANSPARENT POLYSTYRENE
 - ALL DIMENSIONS MEET EIA-481-1 REQUIREMENT
 - COMPONENT LOAD PER 13" REEL (5,000 PCS),
COMPONENT LOAD PER 7" REEL (1,000 PCS),

CHG: SEE SHEET 1 E.C. NO: URF2016-0017 DRAWN: CHENG 2015/07/13 CHKD: APPR: YCHENG 2015/07/23 DESCRIPTION	QUALITY SYMBOLS	GENERAL TOLERANCES (UNLESS SPECIFIED) <table border="1"> <tr> <th></th> <th>mm</th> <th>INCH</th> </tr> <tr> <td>4 PLACES</td> <td>$\pm .13$</td> <td>$\pm .005$</td> </tr> <tr> <td>3 PLACES</td> <td>$\pm .25$</td> <td>$\pm .010$</td> </tr> <tr> <td>2 PLACES</td> <td>$\pm .38$</td> <td>$\pm .015$</td> </tr> <tr> <td>1 PLACE</td> <td>$\pm .51$</td> <td>$\pm .020$</td> </tr> </table>		mm	INCH	4 PLACES	$\pm .13$	$\pm .005$	3 PLACES	$\pm .25$	$\pm .010$	2 PLACES	$\pm .38$	$\pm .015$	1 PLACE	$\pm .51$	$\pm .020$	DIMENSION STYLE	SCALE	DESIGN UNITS	THIRD ANGLE PROJECTION
			mm	INCH																	
4 PLACES	$\pm .13$	$\pm .005$																			
3 PLACES	$\pm .25$	$\pm .010$																			
2 PLACES	$\pm .38$	$\pm .015$																			
1 PLACE	$\pm .51$	$\pm .020$																			
	$\nabla=0$ $\nabla=0$	MM/IN DRAWN BY DATE DARRY 2003/1/27 CHECKED BY DATE JOHNSON 2003/1/27 APPROVED BY DATE MHUANG 2010/11/28	TITLE	METRIC																	
		ANGULAR $\pm 2^\circ$ DRAFT WHERE APPLICABLE MUST REMAIN WITHIN DIMENSIONS	SEE SHEET 1 SIZE C	MCRF RECEPTACLE VERTICAL MCRF-J MOLEX INCORPORATED DOCUMENT NO. SD-73412-011		SHEET NO. 2 OF 3															



CHG:SEE SHET1 E.C. NO: URF2016-0017 DRAWN:YCHENG 2015/07/13 CHKD: APPR:YCHENG 2015/07/23 REV: C14	QUALITY SYMBOLS $\nabla = 0$ $\nabla = 0$ $\nabla = 0$	GENERAL TOLERANCES (UNLESS SPECIFIED) <table border="1"> <tr> <td></td> <td>mm</td> <td>INCH</td> </tr> <tr> <td>4 PLACES</td> <td>$\pm .01$</td> <td>$\pm .0004$</td> </tr> <tr> <td>3 PLACES</td> <td>$\pm .02$</td> <td>$\pm .0008$</td> </tr> <tr> <td>2 PLACES</td> <td>± 0.25</td> <td>$\pm .01$</td> </tr> <tr> <td>1 PLACE</td> <td>± 0.13</td> <td>$\pm .005$</td> </tr> <tr> <td>0 PLACE</td> <td>\pm</td> <td>\pm</td> </tr> </table>		mm	INCH	4 PLACES	$\pm .01$	$\pm .0004$	3 PLACES	$\pm .02$	$\pm .0008$	2 PLACES	± 0.25	$\pm .01$	1 PLACE	± 0.13	$\pm .005$	0 PLACE	\pm	\pm	DIMENSION STYLE MM/IN	SCALE DESIGN UNITS METRIC	THIRD ANGLE PROJECTION
		mm	INCH																				
	4 PLACES	$\pm .01$	$\pm .0004$																				
	3 PLACES	$\pm .02$	$\pm .0008$																				
2 PLACES	± 0.25	$\pm .01$																					
1 PLACE	± 0.13	$\pm .005$																					
0 PLACE	\pm	\pm																					
DRAFT WHERE APPLICABLE MUST REMAIN WITHIN DIMENSIONS	ANGULAR $\pm 2^\circ$	MATERIAL NO. SEE SHEET1	DRAWN BY DARRY	DATE 2003/1/27	TITLE MCRF RECEPTACLE VERTICAL MCRF-J																		
		APPROVED BY MHUANG	DATE 2010/11/28	DOCUMENT NO. SD-73412-011	SHEET NO. 3 OF 3																		
		THIS DRAWING CONTAINS INFORMATION THAT IS PROPRIETARY TO MOLEX INCORPORATED AND SHOULD NOT BE USED WITHOUT WRITTEN PERMISSION																					



MATERIAL AND FINISHES:

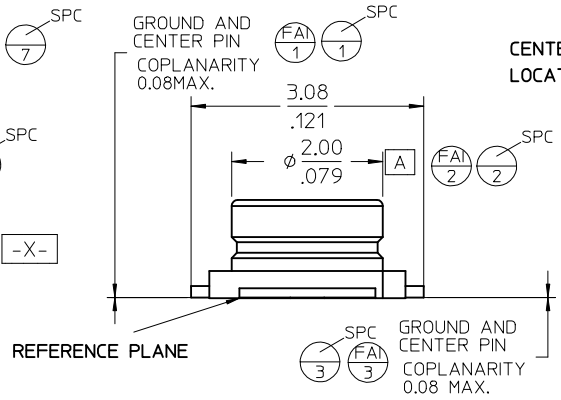
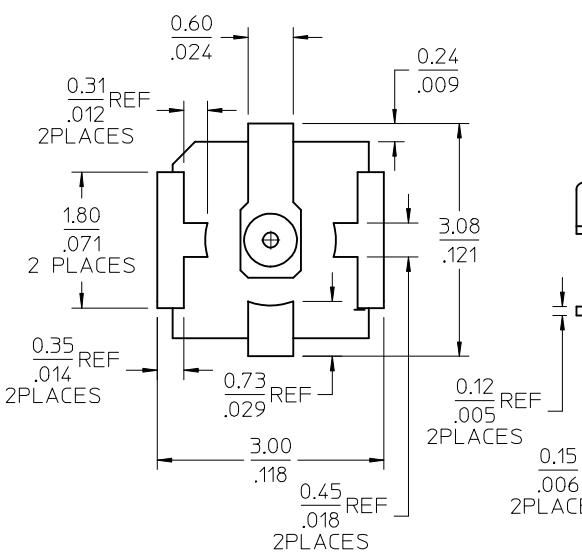
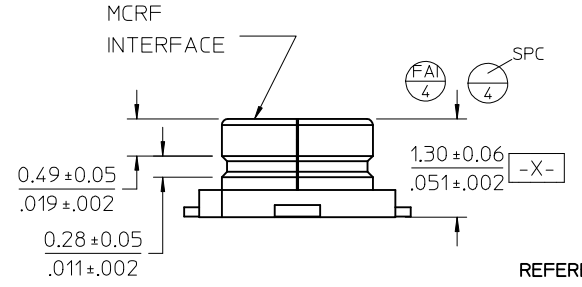
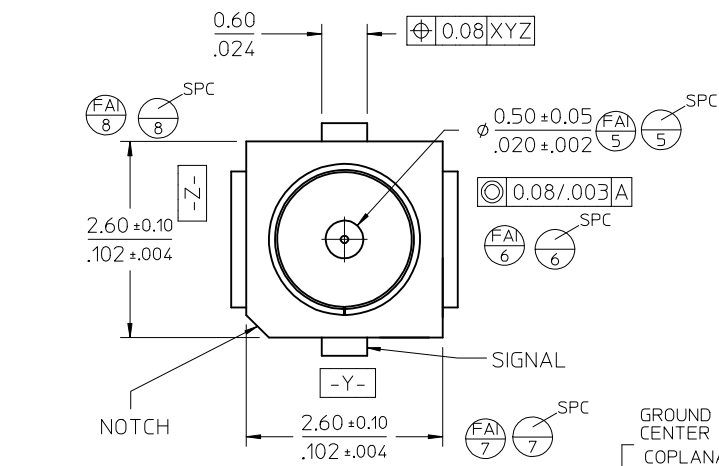
BASE: LCP SIVERAS L304T40B

CONTACT: BRASS
C2680 (t=0.15)
PLATED: GOLD (0.03 MICROMETER MINIMUM) OVER NICKEL (1~4 MICROMETER)

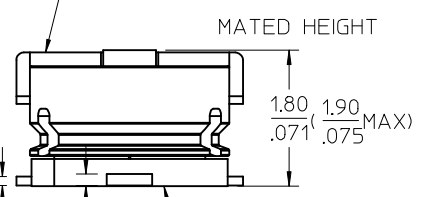
OUTER CONTACT: PHOSPHOR BRONZE (JIS 5191-SH)
C5210 (t=0.12)
PLATED: GOLD (0.03 MICROMETER MINIMUM) OVER NICKEL (1~4 MICROMETER)

WILL WITHSTAND REFLOW TEMPERATURE OF 260 DEG C 40 SEC MAXIMUM

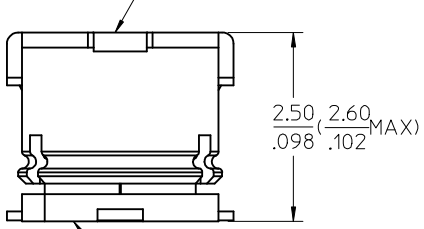
VSWR
DC-3GHz: 1.18 MAX
DC-6GHz: 1.30 MAX



CMP H18 (MOLEX P/N: 73118-0350)

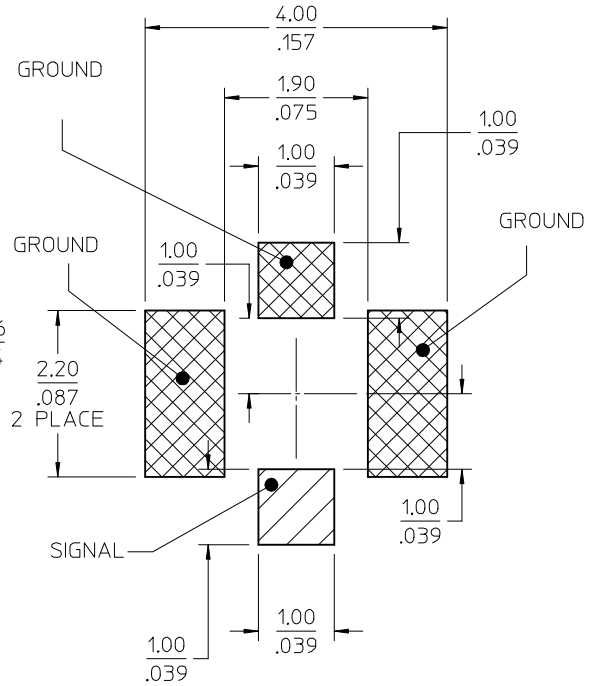


CMP H25 (MOLEX P/N: 73118-0360)



CMJ (MOLEX P/N: 73412-0110) (NOT INCLUDED WITH 73118-0350 ASSEMBLY)

CMJ (MOLEX P/N: 73412-0110) (NOT INCLUDED WITH 73118-0360 ASSEMBLY)



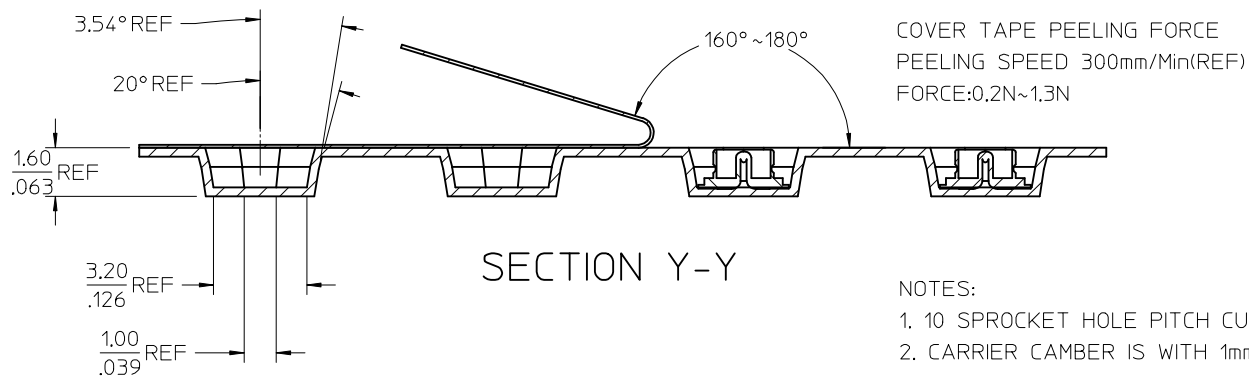
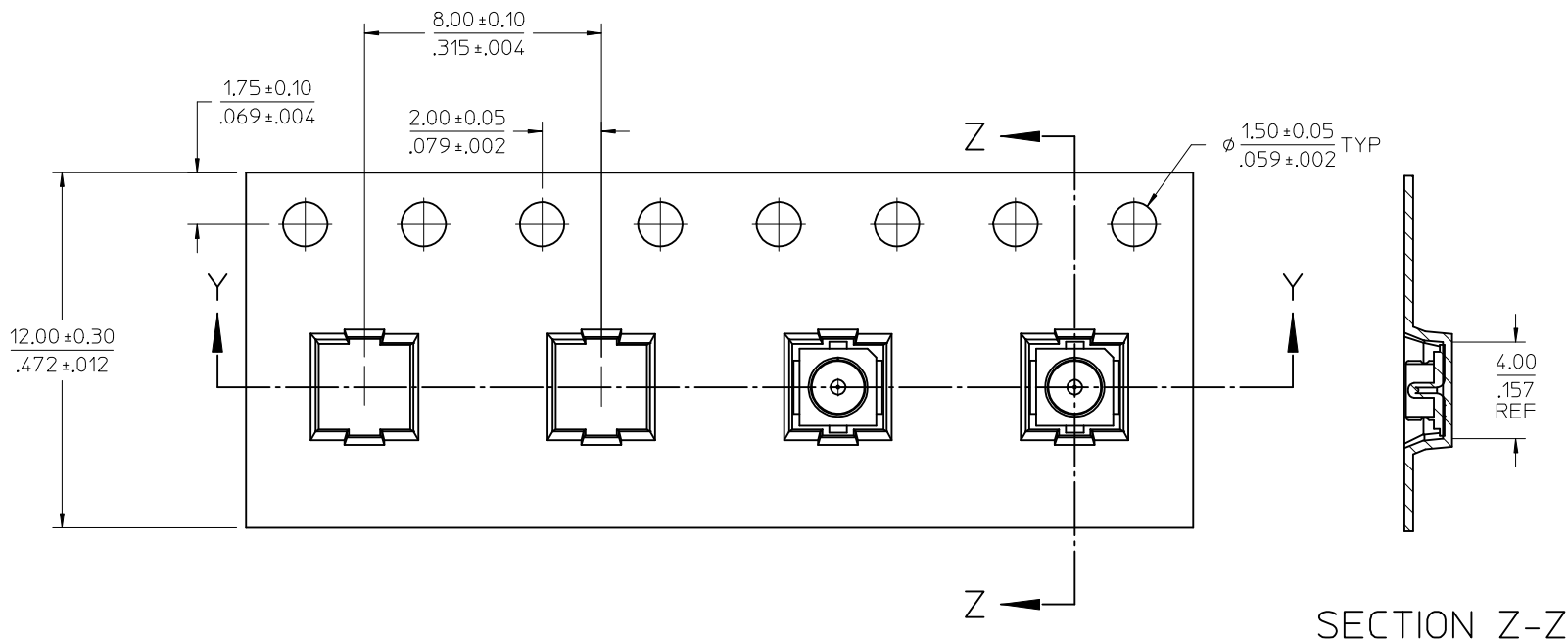
73412-0114	TAPE AND REEL (1K/REEL)
73412-0112	73412-0110, 10 PIECES PER BAG IN TAPE
73412-0110	TAPE AND REEL (5K/REEL)
PART NO.	PACKAGING

CHG:1ADD SOLDER PAD DIM.	2015/07/13
ZMCRF INTERFACE WAS	2015/07/13
UFL INTERFACE	2015/07/13
EC NO: URF2016-0017	2015/07/13
DRWN:YCHENG	2015/07/13
CHKD:	
APPR:YCHENG	2015/07/23
DESCRIPTION	

QUALITY SYMBOLS	GENERAL TOLERANCES (UNLESS SPECIFIED)
$\nabla=0$	mm INCH
$\nabla=0$	4 PLACES \pm --- \pm ---
	3 PLACES \pm --- \pm ---
	2 PLACES ± 0.25 \pm ---
	1 PLACE ± 0.13 \pm ---
	ANGULAR $\pm 2^\circ$
	DRAFT WHERE APPLICABLE MUST REMAIN WITHIN DIMENSIONS

DIMENSION STYLE		SCALE	DESIGN UNITS	THIRD ANGLE PROJECTION
MM/IN			METRIC	
DRAWN BY	DATE	TITLE		
DARRY	2003/1/27	MCRF RECEPTACLE VERTICAL MCRF-J		
CHECKED BY	DATE	MOLEX INCORPORATED		
JOHNSON	2003/1/27	SD-73412-011		
APPROVED BY	DATE	SHEET NO.		
MHUANG	2010/11/28	1 OF 3		
MATERIAL NO.	DOCUMENT NO.	THIS DRAWING CONTAINS INFORMATION THAT IS PROPRIETARY TO MOLEX INCORPORATED AND SHOULD NOT BE USED WITHOUT WRITTEN PERMISSION		
SEE TABLE				

PS-73598-0210	PROD SPEC
SPECIFICATION	DESCRIPTION

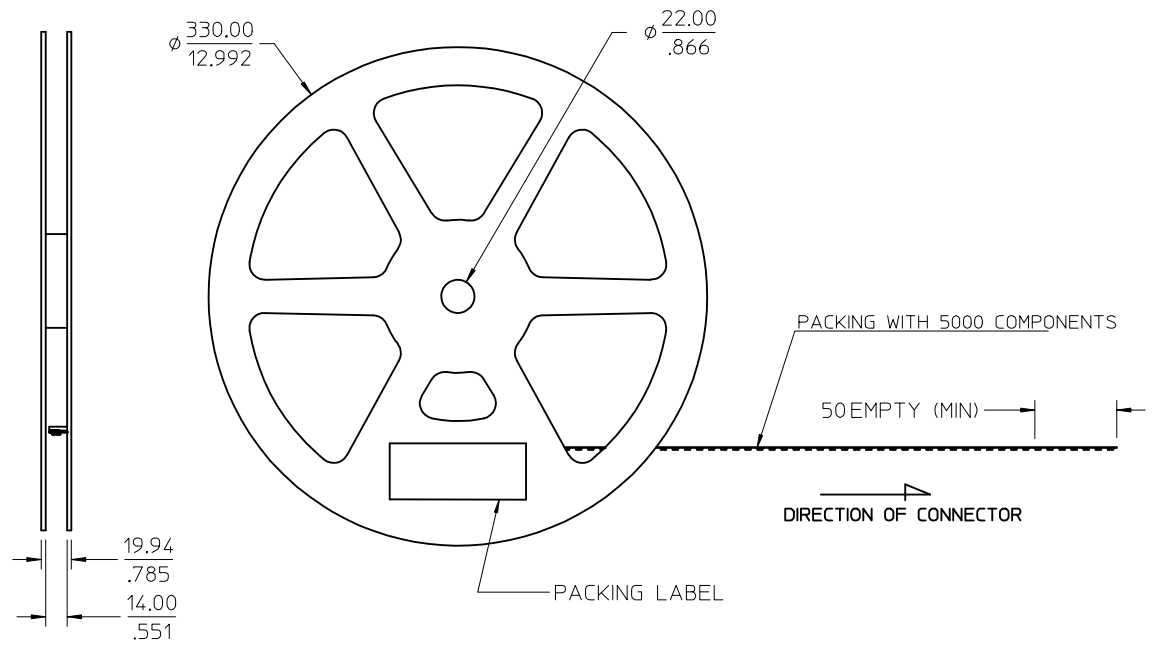
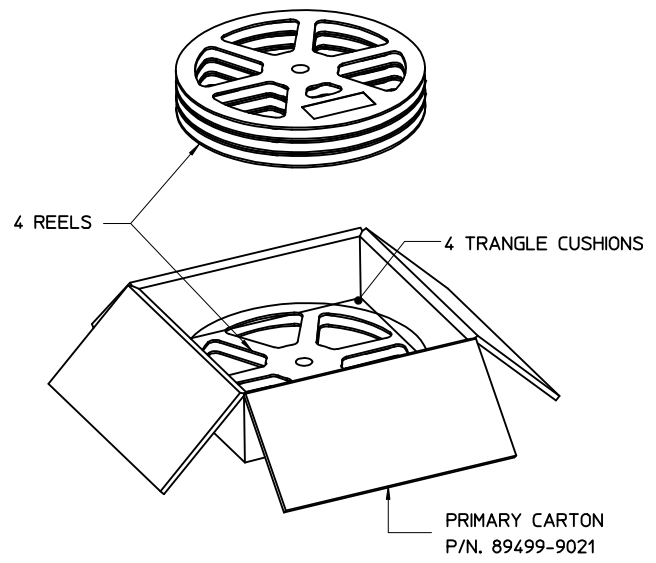


COVER TAPE PEELING FORCE
 PEELING SPEED 300mm/Min(REF)
 FORCE:0.2N~1.3N

NOTES:

1. 10 SPROCKET HOLE PITCH CUMULATIVE TOLERANCE ±0.20mm
2. CARRIER CAMBER IS WITH 1mm IN 250mm
3. MATERIAL : TRANSPARENT POLYSTYRENE
4. ALL DIMENSIONS MEET EIA-481-1 REQUIREMENT
5. COMPONENT LOAD PER 13" REEL (5,000 PCS),
 COMPONENT LOAD PER 7" REEL (1,000 PCS),

CHG: SEE SHEET 1 E.C. NO: URF2016-0017 DRAWN: CHENG CHKD: APPR: YCHENG 2015/07/13 2015/07/23	DESCRIPTION C14	QUALITY SYMBOLS	GENERAL TOLERANCES (UNLESS SPECIFIED)	DIMENSION STYLE	SCALE	DESIGN UNITS	THIRD ANGLE PROJECTION														
		$\nabla=0$ $\nabla=0$	<table border="1"> <thead> <tr> <th></th> <th>mm</th> <th>INCH</th> </tr> </thead> <tbody> <tr> <td>4 PLACES</td> <td>± ---</td> <td>± ---</td> </tr> <tr> <td>3 PLACES</td> <td>± ---</td> <td>± ---</td> </tr> <tr> <td>2 PLACES</td> <td>± 0.25</td> <td>± ---</td> </tr> <tr> <td>1 PLACE</td> <td>± 0.13</td> <td>± ---</td> </tr> </tbody> </table>		mm	INCH	4 PLACES	± ---	± ---	3 PLACES	± ---	± ---	2 PLACES	± 0.25	± ---	1 PLACE	± 0.13	± ---	MM/IN	METRIC	<input checked="" type="checkbox"/> THIRD ANGLE PROJECTION
			mm	INCH																	
		4 PLACES	± ---	± ---																	
3 PLACES	± ---	± ---																			
2 PLACES	± 0.25	± ---																			
1 PLACE	± 0.13	± ---																			
DRAFT WHERE APPLICABLE MUST REMAIN WITHIN DIMENSIONS	<table border="1"> <thead> <tr> <th>DATE</th> <th>BY</th> </tr> </thead> <tbody> <tr> <td>2003/11/27</td> <td>DARRY</td> </tr> <tr> <td>2003/11/27</td> <td>JOHNSON</td> </tr> <tr> <td>2010/11/28</td> <td>MHUANG</td> </tr> </tbody> </table>	DATE	BY	2003/11/27	DARRY	2003/11/27	JOHNSON	2010/11/28	MHUANG	TITLE	MATERIAL NO.	DOCUMENT NO.	SHEET NO.								
DATE	BY																				
2003/11/27	DARRY																				
2003/11/27	JOHNSON																				
2010/11/28	MHUANG																				
SEE SHEET 1	SD-73412-011	2 OF 3	MOLEX INCORPORATED THIS DRAWING CONTAINS INFORMATION THAT IS PROPRIETARY TO MOLEX INCORPORATED AND SHOULD NOT BE USED WITHOUT WRITTEN PERMISSION																		



CHG:SEE SHET1 E.C. NO: URF2016-0017 DRAWN:YCHENG 2015/07/13 CHKD: APPR:YCHENG 2015/07/23 REV: C14	QUALITY SYMBOLS	GENERAL TOLERANCES (UNLESS SPECIFIED)	DIMENSION STYLE	SCALE	DESIGN UNITS	THIRD ANGLE PROJECTION	
	$\nabla = 0$ $\nabla = 0$ $\nabla = 0$	mm INCH 4 PLACES \pm --- \pm --- 3 PLACES \pm --- \pm --- 2 PLACES ± 0.25 \pm --- 1 PLACE ± 0.13 \pm --- 0 PLACE \pm \pm	MM/IN	DRAWN BY DATE DARRY 2003/1/27 CHECKED BY DATE JOHNSON 2003/1/27 APPROVED BY DATE MHUANG 2010/11/28	TITLE	METRIC	MCRF RECEPTACLE VERTICAL MCRF-J molex
	ANGULAR $\pm 2^\circ$	DRAFT WHERE APPLICABLE MUST REMAIN WITHIN DIMENSIONS	MATERIAL NO.	DOCUMENT NO.	SHEET NO.		
			SEE SHEET1	SD-73412-011	3 OF 3		

THIS DRAWING CONTAINS INFORMATION THAT IS PROPRIETARY TO MOLEX INCORPORATED AND SHOULD NOT BE USED WITHOUT WRITTEN PERMISSION