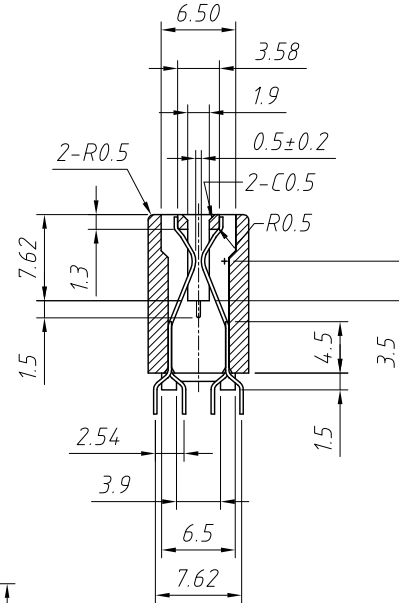
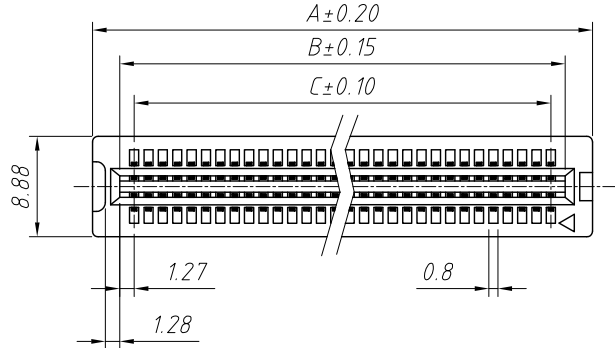


RoHS Compliance



SECTION A-A

Material:

Housing: Glass filled PBT/PA6T UL94V-0

Contacts: Brass

Plating: Contact gold and Dip Tin over Nickel

Electrical Characteristics:

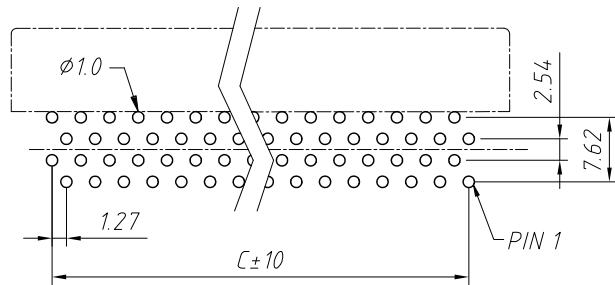
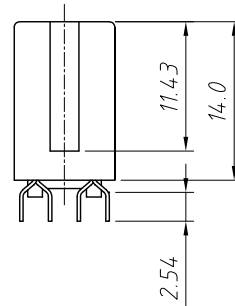
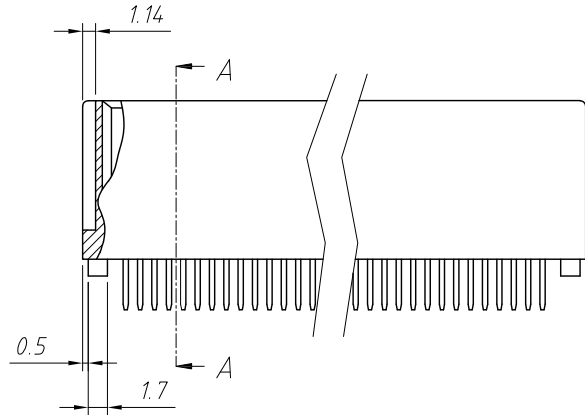
Current Rating: 1 AMP

Voltage Rating: 250 VAC

Insulator Resistance: 1000M Ohm min. at DC 500V DC

Contact Resistance: 30m Ohm max. at DC 100mA

Operating Temperature: -45°C ~ +105°C

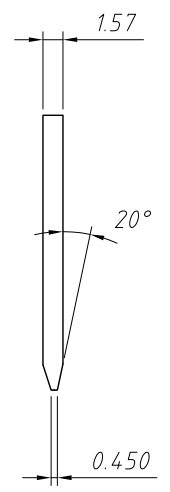
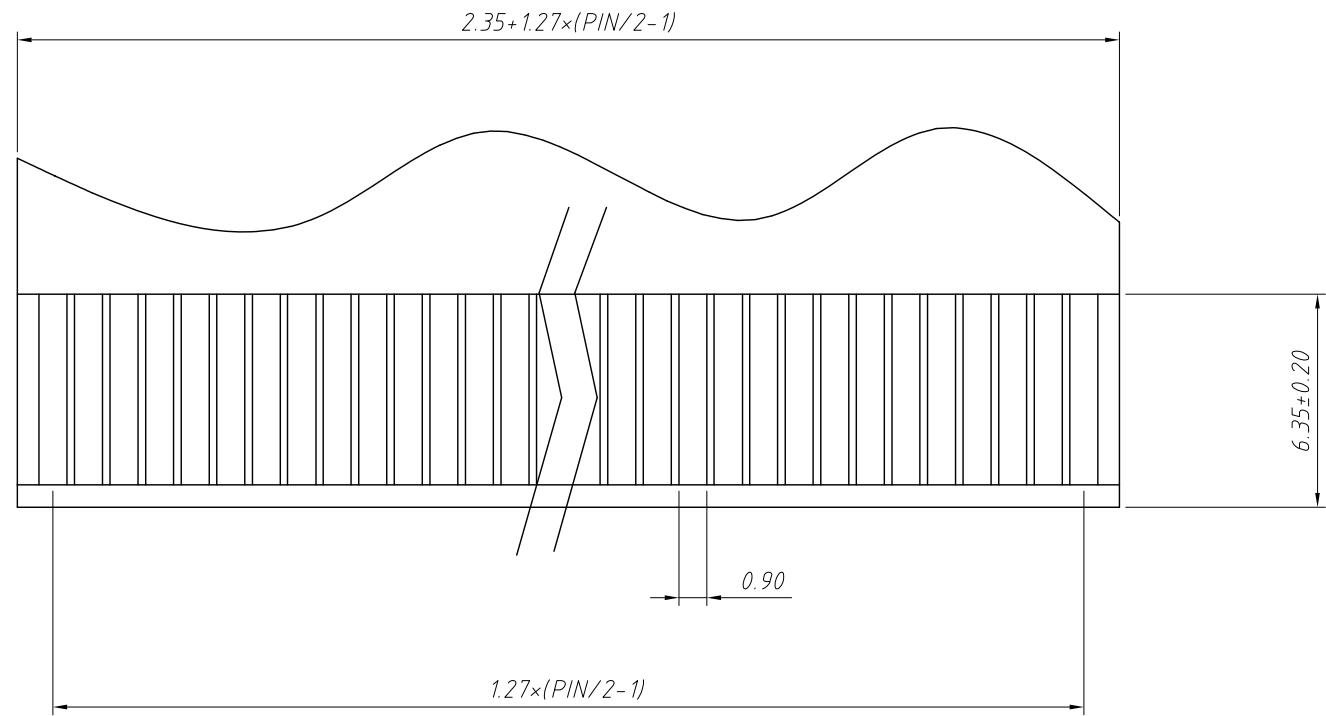


Recommended PCB Layout (Top View)

Circuit	Dimension			Circuit	Dimension		
	A	B	C		A	B	C
04	8.64	3.81	1.27	38	30.23	25.40	22.86
06	9.91	5.08	2.54	40	31.50	26.67	24.13
08	11.18	6.35	3.81	42	32.77	27.94	25.40
10	12.45	7.62	5.08	44	34.04	29.21	26.67
12	13.72	8.89	6.35	46	35.31	30.48	27.94
14	14.99	10.16	7.62	48	36.58	31.75	29.21
16	16.26	11.43	8.89	50	37.85	33.02	30.48
18	17.53	12.70	10.16	52	39.12	34.29	31.75
20	18.80	13.97	11.43	54	40.39	35.56	33.02
22	20.07	15.24	12.70	56	41.66	36.83	34.29
24	21.34	16.51	13.97	58	42.93	38.10	35.56
26	22.61	17.78	15.24	60	44.20	39.37	36.83
28	23.88	19.05	16.51	80	56.90	52.07	49.53
30	25.15	20.32	17.78	100	69.60	64.77	62.23
32	26.42	21.59	19.05	120	82.30	77.47	74.93
34	27.69	22.86	20.32	140	95.00	91.17	87.63
36	28.96	24.13	21.59	182	121.67	116.84	114.30

ANGLE TOLERANCE	PROJECTION	Description:	1.27mm Pitch Edge Card Connector
±3°			Slot PCB 180° Type
GENERAL TOLERANCE	UNITS	mm	KLS P/N: L-KLS1-503-XX-S-B
x.x ±0.30	SHEET SIZE	A4	NingBo KLS ELECTRONIC CO.,L TD.
x.xx ±0.20	Draw:	Daniel	
x.xxx ±0.10	Check:	Daniel	

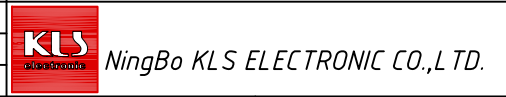
1
RoHS Compliance



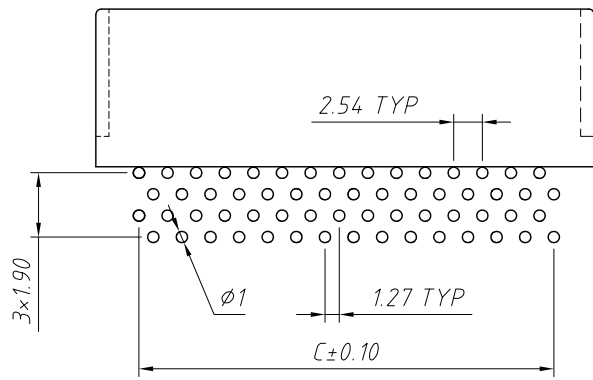
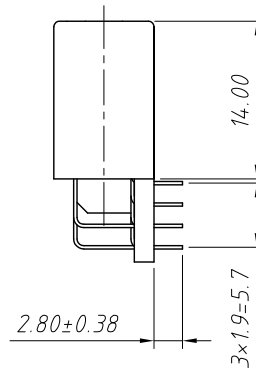
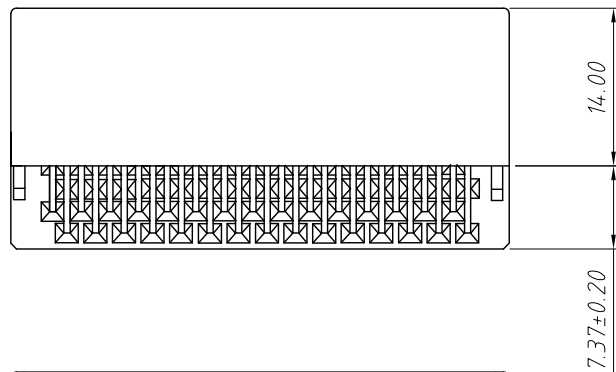
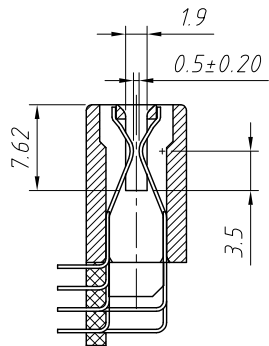
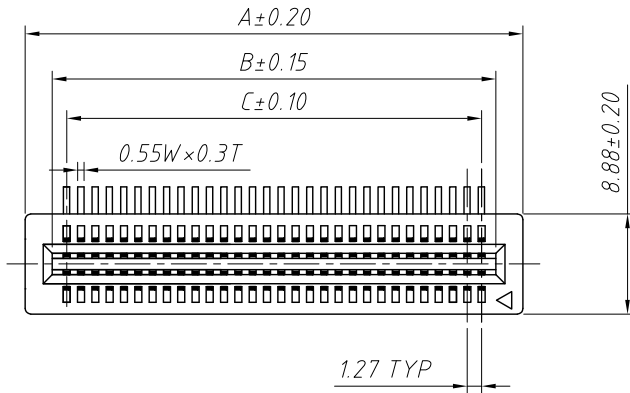
Order Information:
L-KLS1-503-XX-S-B

L: RoHS
 1.27mm Pitch
 Edge Card Connector
 XX-No. of 04-68pin
 Type: R-Right Angle Pin
 S-Straight pin T1/T2-SMT Pin
 Color: B-Black
 W-White G-Green O-Orange

ANGLE TOLERANCE	PROJECTION	Description:	1.27mm Pitch Edge Card Connector Slot PCB 180° Type
±3°			
GENERAL TOLERANCE	UNITS	mm	KLS P/N: L-KLS1-503-XX-S-B
x.x ±0.30	SHEET SIZE	A4	
x.xx ±0.20	Draw:	Daniel	2018-07-10
x.xxx ±0.10	Check:	Daniel	2018-07-10



1 RoHS Compliance



Recommended PCB Layout (Top View)

Material:
 Housing: Glass filled PBT/PA6T UL94V-0
 Contacts: Brass
 Plating: Contact gold and Dip Tin over Nickel
 Electrical Characteristics:
 Current Rating: 1 AMP
 Voltage Rating: 250 VAC
 Insulator Resistance: 1000M Ohm min. at DC 500V DC
 Contact Resistance: 30m Ohm max. at DC 100mA
 Operating Temperature: -45°C ~ +105°C

Order Information:

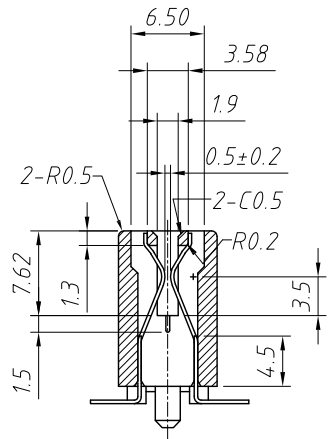
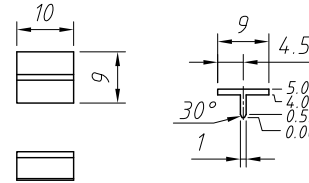
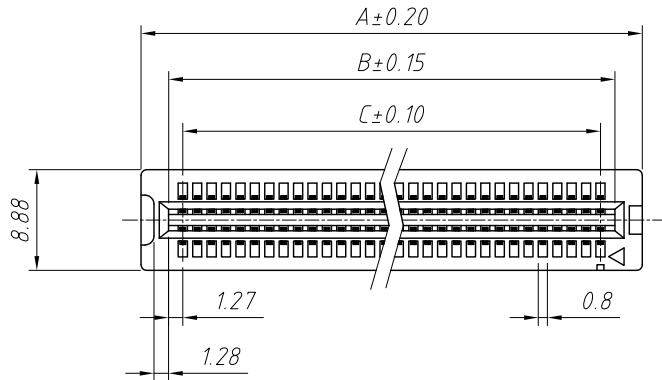
L-KLS1-503-XX-R-B

L: RoHS
 1.27mm Pitch
 Edge Card Connector
 XX-No. of 04-68pin
 Type: R-Right Angle Pin
 S-Straight pin T1/T2-SMT Pin
 Color: B-Black
 W-White G-Green O-Orange

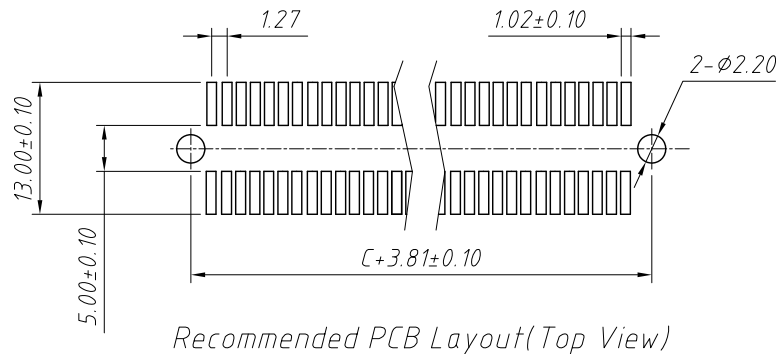
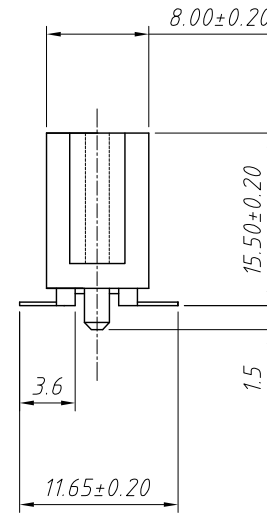
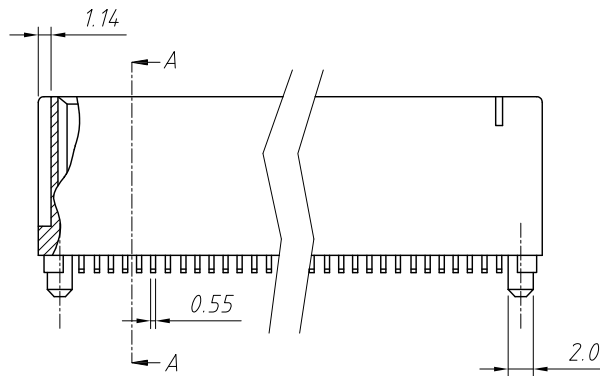
Circuit	Dimension			Circuit	Dimension		
	A	B	C		A	B	C
04	8.64	3.81	1.27	38	30.23	25.40	22.86
06	9.91	5.08	2.54	40	31.50	26.67	24.13
08	11.18	6.35	3.81	42	32.77	27.94	25.40
10	12.45	7.62	5.08	44	34.04	29.21	26.67
12	13.72	8.89	6.35	46	35.31	30.48	27.94
14	14.99	10.16	7.62	48	36.58	31.75	29.21
16	16.26	11.43	8.89	50	37.85	33.02	30.48
18	17.53	12.70	10.16	52	39.12	34.29	31.75
20	18.80	13.97	11.43	54	40.39	35.56	33.02
22	20.07	15.24	12.70	56	41.66	36.83	34.29
24	21.34	16.51	13.97	58	42.93	38.10	35.56
26	22.61	17.78	15.24	60	44.20	39.37	36.83
28	23.88	19.05	16.51	80	56.90	52.07	49.53
30	25.15	20.32	17.78	100	69.60	64.77	62.23
32	26.42	21.59	19.05	120	82.30	77.47	74.93
34	27.69	22.86	20.32				
36	28.96	24.13	21.59				

ANGLE TOLERANCE	PROJECTION	Description:	1.27mm Pitch Edge Card Connector Slot PCB Dip 90° Type	
±3°				
GENERAL TOLERANCE	UNITS	mm	KLS P/N:	L-KLS1-503-XX-R-B
x.x ±0.30	SHEET SIZE	A4		
x.xx ±0.20	Draw:	Daniel	2018-07-10	NingBo KLS ELECTRONIC CO.,L TD.
x.xxx ±0.10	Check:	Daniel	2018-07-10	

1 RoHS Compliance



SECTION A-A



Recommended PCB Layout (Top View)

Material:
Housing: PPS, UL 94V-0
Contacts: Brass, Gold and Dip Tin over Nickel
Electrical Characteristics:
Current Rating: 1 AMP
Voltage Rating: 250 VAC
Insulator Resistance: 1000M Ohm min. at DC 500V DC
Contact Resistance: 30m Ohm max. at DC 100mA
Operating Temperature: -45°C ~ +105°C

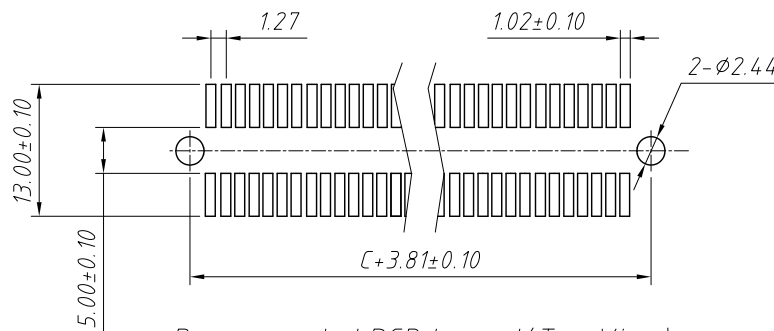
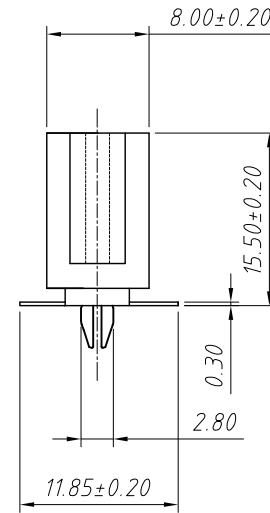
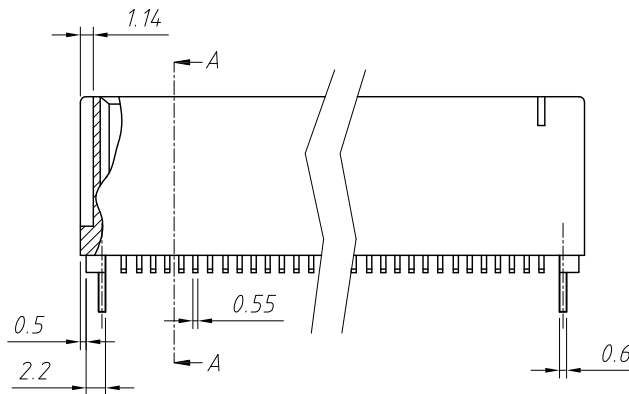
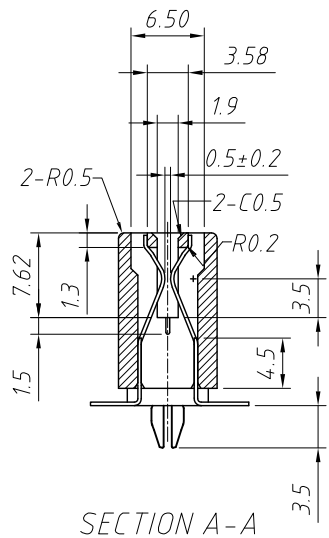
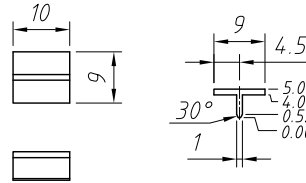
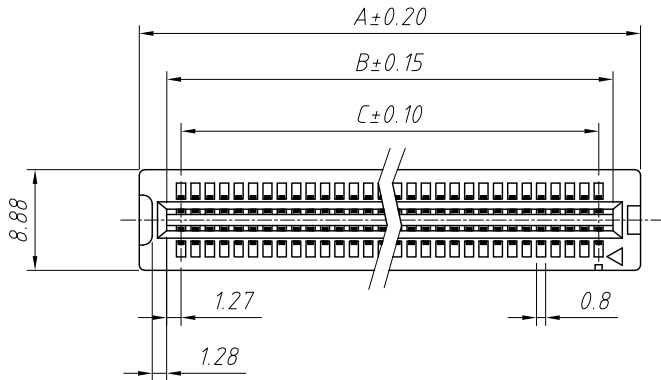
Order Information:
L-KLS1-503-XX-T1-B

L: RoHS
1.27mm Pitch
Edge Card Connector
XX-No. of 04-68pin
Type: R-Right Angle Pin
S-Straight pin T1/T2-SMT Pin
Color: B-Black
W-White G-Green O-Orange

Circuit	Dimension			Circuit	Dimension		
	A	B	C		A	B	C
04	8.64	3.81	1.27	38	30.23	25.40	22.86
06	9.91	5.08	2.54	40	31.50	26.67	24.13
08	11.18	6.35	3.81	42	32.77	27.94	25.40
10	12.45	7.62	5.08	44	34.04	29.21	26.67
12	13.72	8.89	6.35	46	35.31	30.48	27.94
14	14.99	10.16	7.62	48	36.58	31.75	29.21
16	16.26	11.43	8.89	50	37.85	33.02	30.48
18	17.53	12.70	10.16	52	39.12	34.29	31.75
20	18.80	13.97	11.43	54	40.39	35.56	33.02
22	20.07	15.24	12.70	56	41.66	36.83	34.29
24	21.34	16.51	13.97	58	42.93	38.10	35.56
26	22.61	17.78	15.24	60	44.20	39.37	36.83
28	23.88	19.05	16.51	80	56.90	52.07	49.53
30	25.15	20.32	17.78	100	69.60	64.77	62.23
32	26.42	21.59	19.05	120	82.30	77.47	74.93
34	27.69	22.86	20.32	140	95.00	90.17	87.63
36	28.96	24.13	21.59	182	121.67	116.84	114.30

ANGLE TOLERANCE	PROJECTION	Description:	1.27mm Pitch Edge Card Connector		
±3°			Slot PCB SMT Type		
GENERAL TOLERANCE	UNITS	mm	KLS P/N:	L-KLS1-503-XX-T1-B	
x.x ±0.30	SHEET SIZE	A4		NingBo KLS ELECTRONIC CO.,L TD.	
x.xx ±0.20	Draw:	Daniel			2018-07-10
x.xxx ±0.10	Check:	Daniel			2018-07-10

1 RoHS Compliance



Recommended PCB Layout (Top View)

Material:

Housing: PPS, UL 94 V-0

Contacts: Brass, Gold and Dip Tin over Nickel

Electrical Characteristics:

Current Rating: 1 AMP

Voltage Rating: 250 VAC

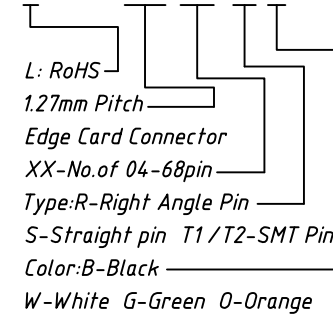
Insulator Resistance: 1000M Ohm min. at DC 500V DC

Contact Resistance: 30m Ohm max. at DC 100mA

Operating Temperature: -45°C ~ +105°C

Order Information:

L-KLS1-503-XX-T2-B



Circuit	Dimension			Circuit	Dimension		
	A	B	C		A	B	C
04	8.64	3.81	1.27	38	30.23	25.40	22.86
06	9.91	5.08	2.54	40	31.50	26.67	24.13
08	11.18	6.35	3.81	42	32.77	27.94	25.40
10	12.45	7.62	5.08	44	34.04	29.21	26.67
12	13.72	8.89	6.35	46	35.31	30.48	27.94
14	14.99	10.16	7.62	48	36.58	31.75	29.21
16	16.26	11.43	8.89	50	37.85	33.02	30.48
18	17.53	12.70	10.16	52	39.12	34.29	31.75
20	18.80	13.97	11.43	54	40.39	35.56	33.02
22	20.07	15.24	12.70	56	41.66	36.83	34.29
24	21.34	16.51	13.97	58	42.93	38.10	35.56
26	22.61	17.78	15.24	60	44.20	39.37	36.83
28	23.88	19.05	16.51	80	56.90	52.07	49.53
30	25.15	20.32	17.78	100	69.60	64.77	62.23
32	26.42	21.59	19.05	120	82.30	77.47	74.93
34	27.69	22.86	20.32	140	95.00	90.17	87.63
36	28.96	24.13	21.59	182	121.67	116.84	114.30

ANGLE TOLERANCE	PROJECTION	Description:	1.27mm Pitch Edge Card Connector Slot PCB SMT Type	
±3°				
GENERAL TOLERANCE	UNITS	mm	KLS P/N:	L-KLS1-503-XX-T2-B
x.x ±0.30	SHEET SIZE	A4		
x.xx ±0.20	Draw:	Daniel	2018-07-10	NingBo KLS ELECTRONIC CO.,L TD.
x.xxx ±0.10	Check:	Daniel	2018-07-10	