

This document is the property of Amphenol Corporation and is delivered on the express condition that it is not to be disclosed, reproduced or used, in whole or in part, for manufacture or sale by anyone other than Amphenol Corporation without its prior consent, and that no right is granted to disclose or to use any information in this document.

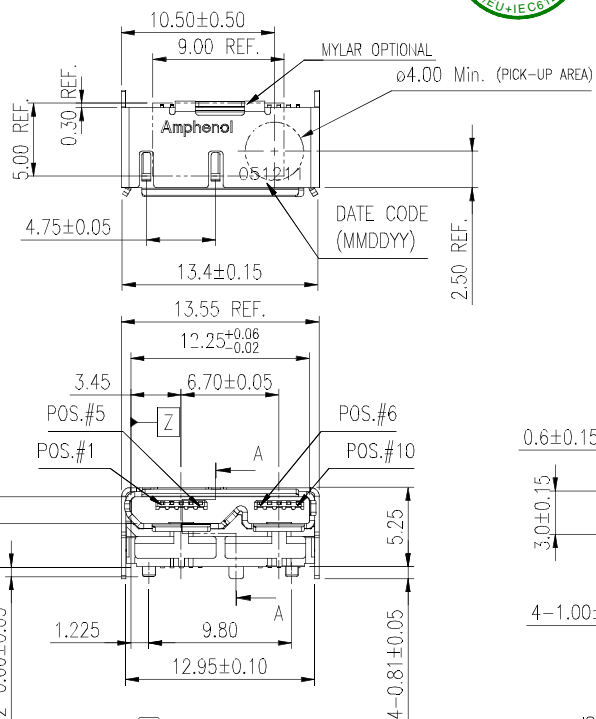
The marking on this product doesn't contain environmental hazardous material and must follow one or more specifications per Material Specification SS-00259 for Sony GP compliant or per directive 2011/65/EC for RoHS compliant or per IEC 61249-2-21 for Halogen Free compliant.



ORIGINAL

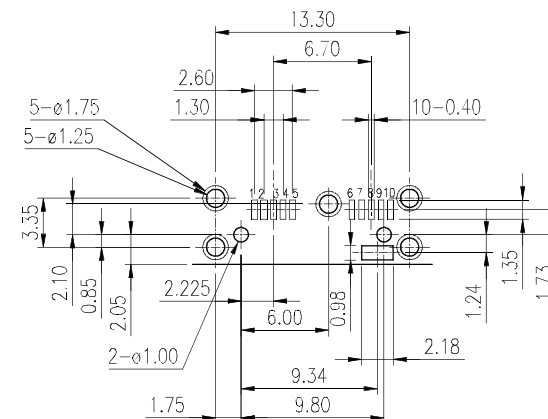
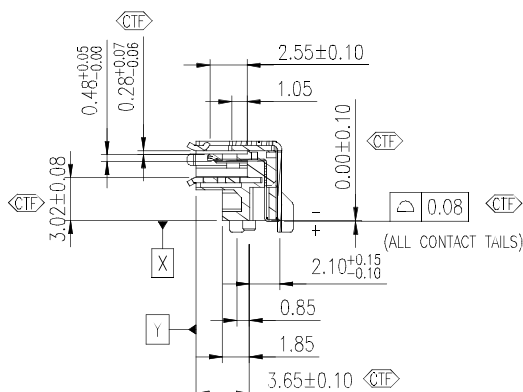
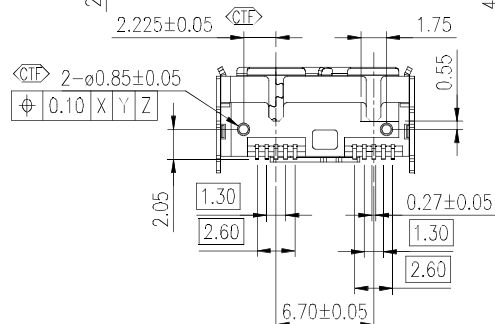
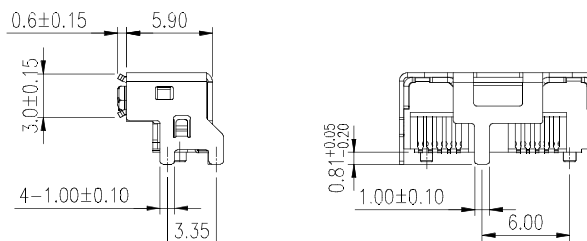
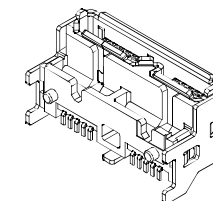
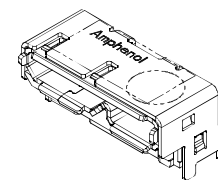


REVISIONS				
SYM	ECN No.	DESCRIPTION	DATE	BY
A	NE-14122	RELEASE TO PRODUCTION	06/20/2014	Sandra Sang
B	NE-14150	CHANGED REEL	08/13/2014	Sandra Sang



PART NUMBER:  
GSB4 43T 3 3 X HR

CONTACT FINISH: 3: 30µ" GOLD  
VARIATION CODE:  
BLANK: STANDARD T&R PACKING  
A: W/ MYLAR, T&R PACKING



NOTES:

- HOUSING: HIGH TEMP. THERMOPLASTIC, UL 94V-0, COLOR- BLACK
- CONTACT: COPPER ALLOY, 0.15mm THICKNESS, 30µ" MIN. GOLD PLATED ON CONTACT AREA, 150µ" MATTE TIN PLATED ON SOLDERING TAIL, 80µ" MIN. NICKEL UNDER-PLATED OVERALL
- INNER SHELL: STAINLESS, 0.35mm THICKNESS
- OUTER SHELL: STAINLESS, 0.30mm THICKNESS, 50µ" MIN. NICKEL PLATED ON THE SOLDERING TAILS
- CTF ARE THE CRITICAL DIMENSIONS MUST BE INSPECTED BY SPC.
- PACKING: PLEASE REFER TO PKS-GSBX43PT01HR
- THIS PRODUCT DOESN'T CONTAIN ENVIRONMENTAL HAZARDOUS MATERIALS PER DIRECTIVE 2002/95/EC FOR RoHS AND PER IEC 61249-2-21 FOR HALOGEN FREE COMPLIANT.

TOLERANCE	APPROVALS	DATE	TITLE		UNIT		SIZE	PART No.	Amphenol®	
X.X ±0.30	DRAWN Sandra Sang	8/13/2014	USB 3.1 CONNECTOR MICRO_B, RECEPTACLE R/A SMT, HIGHT RISE		mm	A3	PART No. GSB4 43T 33X HR	Amphenol Corporation Amphenol Taiwan Corporation		
X.XX ±0.20	CHECKED Chenny Yeh	8/13/2014								
X.XXX ±0.10	APPROVED Hank Hsu	8/13/2014								
ANGULAR ±1°	DWG TYPE CUST DWG	PROJECT CODE T512	SCALE NA		SHEET 1 OF 1	DWG No. GSB443T33HR	REV. B			

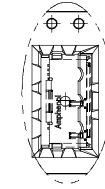
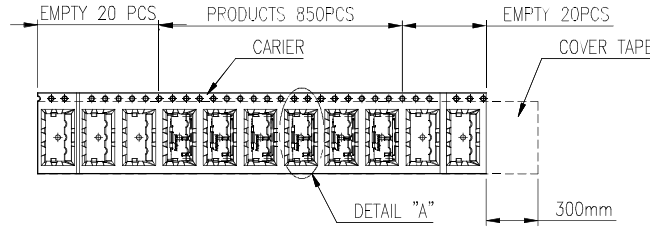
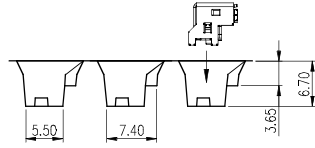
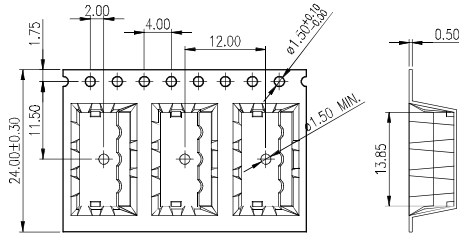
This document is the property of Amphenol Corporation and is delivered on the express condition that it is not to be disclosed, reproduced or used, in whole or in part, for manufacture or sale by anyone other than Amphenol Corporation without its prior consent, and that no right is granted to disclose or to use any information in this document.  
 The marking on this product doesn't contain environmental hazardous material and must follow one or more specifications per Material Specification SS-00259 for Sony GP compliant or per directive 2011/65/EC for RoHS compliant or per IEC 61249-2-21 for Halogen Free compliant.



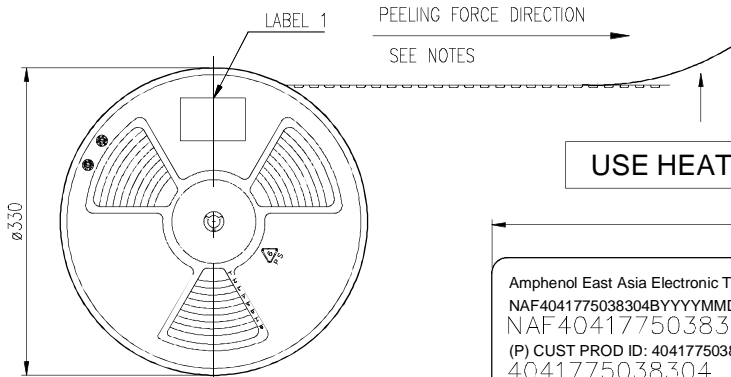
ORIGINAL



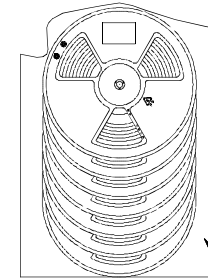
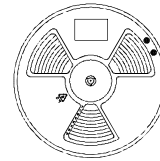
REVISIONS				
SYM	ECN No.	DESCRIPTION	DATE	By
A	NE-14122	RELEASE TO PRODUCTION	06/20/2014	Sondra Sang
B	NE-14150	CHANGED REEL	08/13/2014	Sondra Sang



DETAIL "A"



USE HEAT SEAL



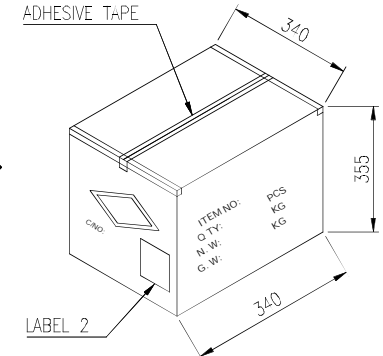
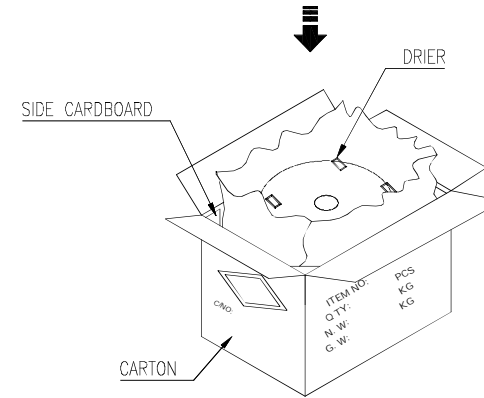
(TOTAL 12 REELS)

PE BAG

Amphenol East Asia Electronic Technology(Shen Zhen)Co., Ltd.  
 NAF4041775038304BYYYYMMDD  
 NAF4041775038304B20120101  
 (P) CUST PROD ID: 4041775038304  
 4041775038304  
 (Q) QUANTITY: 850 (T) DATE CODE: YYYYYMDD  
 \*850\* \*YYYYMMDD\*  
 (1T) LOT CODE: 102711  
 \*123456\*  
 (1P) Amphenol P/N: GSB343T33HR  
 \*GSB343T33HR\*  
**RoHS & HF Compliant**

LABEL 1 = Q'TY : Q850  
 LABEL 2 = Q'TY : Q10200

LABEL1 & LABEL2



PART NO.	PCS./REEL-T1	PCS/CARTON-T2	N.W.	G.W.
GSB343TXXHR	850 PCS.	850X12=10200 PCS.	*	*
GSB443TXXHR				

NOTES: (\*\*) FOR REFERENCE

- MATERIAL: CONDUCTIVE POLYSTYRENE ALLOY, COLOR- BLACK
- THICKNESS: 0.50±0.05 mm
- TAPE HAVE TO USE HEAT SEAL TYPE
- ALL DIMENSIONS MEET EIA-481-C REQUIREMENTS
- COMPONENT LOAD PER 13" REEL: 850 PCS.
- LABEL: 3 OF 9 CODE OR 128 CODE
- THIS PRODUCT DOESN'T CONTAIN ENVIRONMENTAL HAZARDOUS MATERIALS PER DIRECTIVE 2011/65/EC FOR RoHS COMPLIANT.

TOLERANCE	APPROVALS	DATE
X. ±0.20	DESIGNED: Sondra Sang	8/13/2014
X.X ±0.15	CHECKED: Chenny Yeh	8/13/2014
X.XX ±0.10	APPROVED: Hank Hsu	8/13/2014
X.XXX ±0.05	DWG TYPE: CUST DWG	PROJECT CODE: T512
ANGULAR ±1'	UNLESS OTHERWISE SPECIFIED	

TITLE		
USB3.0/ 3.1 CONNECTORS MICRO_B, HI-RISE RECEPT, R/A SMT TYPE		
UNIT: mm	SCALE: NA	SIZE: A3
SHEET: 2 OF 2	PART No. PKS-GSBX43PT01HR	
DWG No. PKS-GSB343PT01HR		REV. B

**Amphenol**®  
 Amphenol Corporation  
 Amphenol Taiwan Corporation

# Mouser Electronics

Authorized Distributor

Click to View Pricing, Inventory, Delivery & Lifecycle Information:

[Amphenol:](#)

[GSB443T33HR](#)