

1

2

3

4

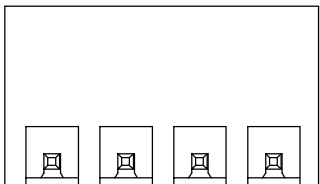
5

6

7

SIGN	DATE	DESCRIPTION	APPROVER
▲			
▲			
▲			

E



P.C.B. LAYOUT

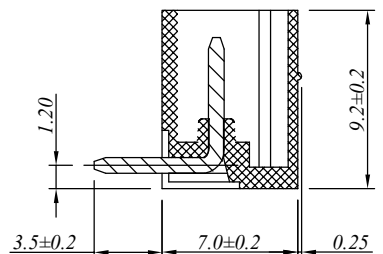
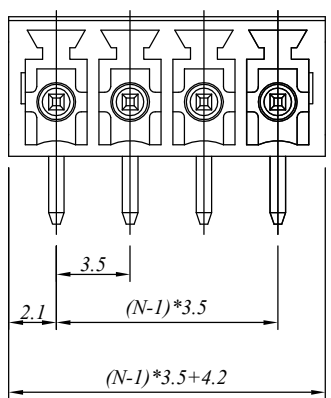
材质于电镀/Material

塑件/Insulator body: PA66, UL94V-0
 焊针/Pin header: Brass, Tin plated

电器性能/Electrical

参考标准/Standard: UL IEC
 额定电压/Rated voltage: 300V 250V
 额定电流/Rated current: 8A 10A
 接触电阻/Contact resistance: 20m Ω (max)
 绝缘电阻/Insulation resistance: 500M Ω /500V
 耐电压/Withstanding voltage: AC 2000V/1Min

D



机械性能/Mechanical

温度范围/Temperature range: -40°C to +105°C
 瞬间温度/Max soldering: +250°C, for 5 Sec

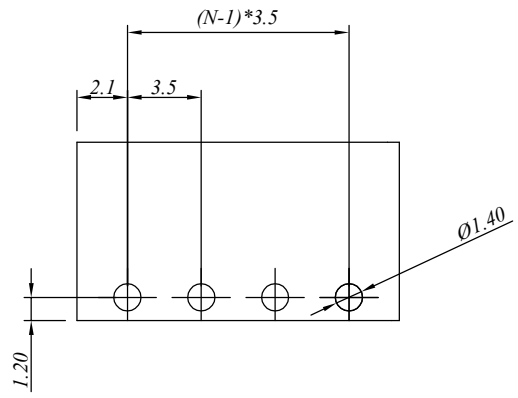
C

尺寸/Dimensions

间距/Pitch: 3.5mm
 极数/Poles: 2-24P

B

N= Number of concats



A

慈溪万海电子有限公司 CIXI WANHAI ELECTRONICS CO., LTD.

PART NAME: 15EDGRC-3.50-XXP				TITLE:	
PART NO.:				DWG NAME:	
APPROVED BY	CHECKED BY	DESIGNED BY	DRAWN BY	CUSTOM NO.:	Tolerance X ±0.50 X.X ±0.30 X.XX ±0.10 X° ±1°
				UNITS:mm	
				SCALE:4/1	
				REVISION:1	

1

2

3

4

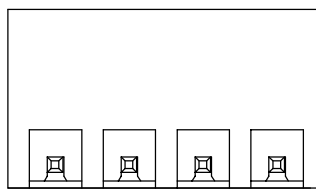
5

6

7

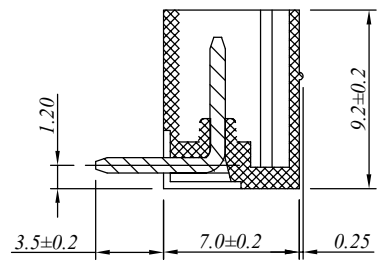
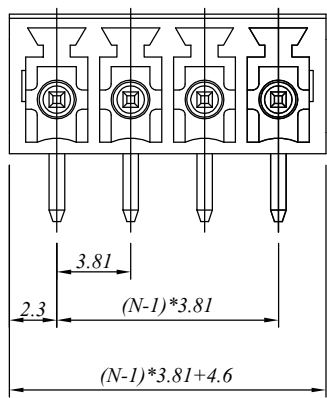
SIGN	DATE	DESCRIPTION	APPROVER
△			
△			
△			

E



P.C.B. LAYOUT

D



材质于电镀/ Material

塑件/Insulator body: PA66, UL94V-0
 焊针/Pin header: Brass, Tin plated

电器性能/ Electrical

参考标准/Standard: UL IEC
 额定电压/Rated voltage: 300V 250V
 额定电流/Rated current: 8A 10A
 接触电阻/Contact resistance: 20m Ω (max)
 绝缘电阻/Insulation resistance: 500M Ω /500V
 耐电压/Withstanding voltage: AC 2000V/1Min

C

机械性能/ Mechanical

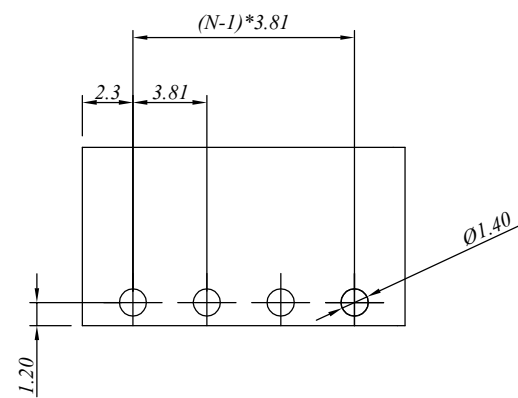
温度范围/Temperature range: -40°C to +105°C
 瞬间温度/Max soldering: +250°C, for 5 Sec

尺寸/Dimensions

间距/Pitch: 3.81mm
 极数/Poles: 2-24P

B

N= Number of concats



A

慈溪万海电子有限公司 CIXI WANHAI ELECTRONICS CO., LTD.

PART NAME: 15EDGRC-3.81-XXP				TITLE:	
PART NO.:				DWG NAME:	
APPROVED BY	CHECKED BY	DESIGNED BY	DRAWN BY	CUSTOM NO.:	Tolerance X ±0.50 X.X ±0.30 X.XX ±0.10 X° ±1°
				UNITS:mm SCALE:4/1 REVISION:1	