

4

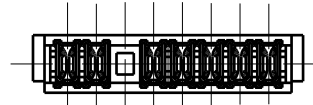
3

2

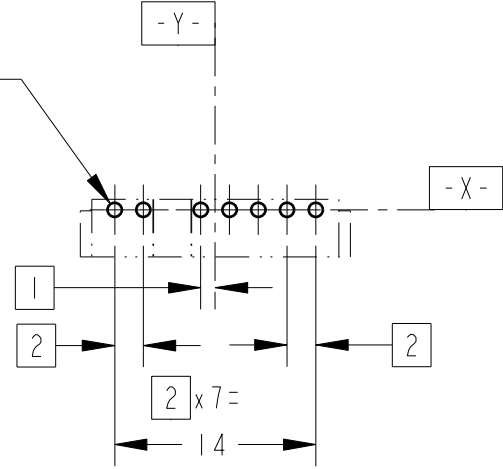
1

THIS DRAWING IS UNPUBLISHED. RELEASED FOR PUBLICATION 20  
© COPYRIGHT 20 BY TYCO ELECTRONICS CORPORATION. ALL RIGHTS RESERVED.

LOC	DIST	REVISIONS			
P	LTR	DESCRIPTION	DATE	DWN	APVD
ES	-	A	RELEASED	04JUL05	T.K T.K
		A3	REVISED PER ECR-09-000157	08JAN2009	S.W S.Y
		B	REVISED PER ECR-09-020441	01SEP2009	S.W S.Y

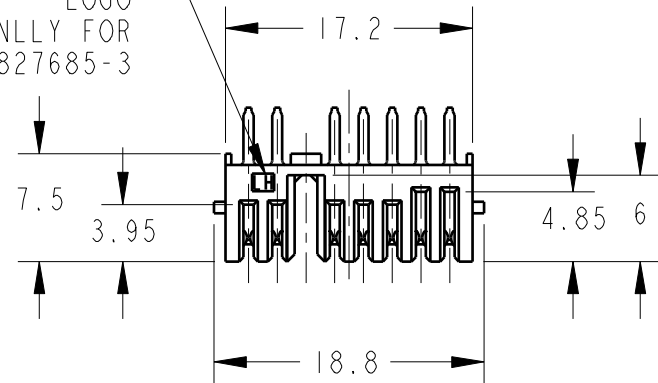


7-R0.5<sup>+0.10</sup><sub>-0.05</sub>  
 $\varnothing 0.1$  X Y

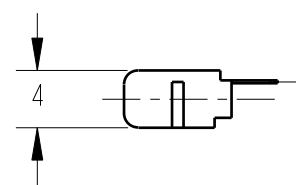
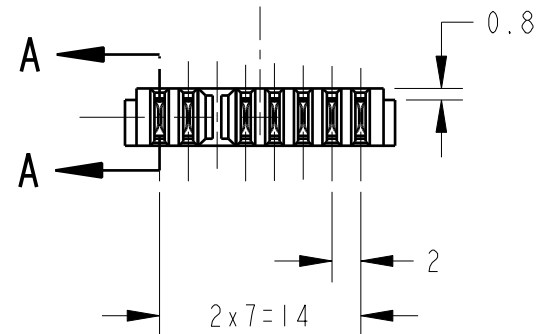


- 1 MATERIAL  
CONTACT COPPER ALLOY  
HOUSING THERMOPLASTIC RESIN, UL94V-0BLACK
- 2 FINISH  
CONTACT NICKEL ALL OVER UNDER PLATING,  
GOLD PLATING AT CONTACT AREA,  
TIN PLATING AT LEAD AREA,

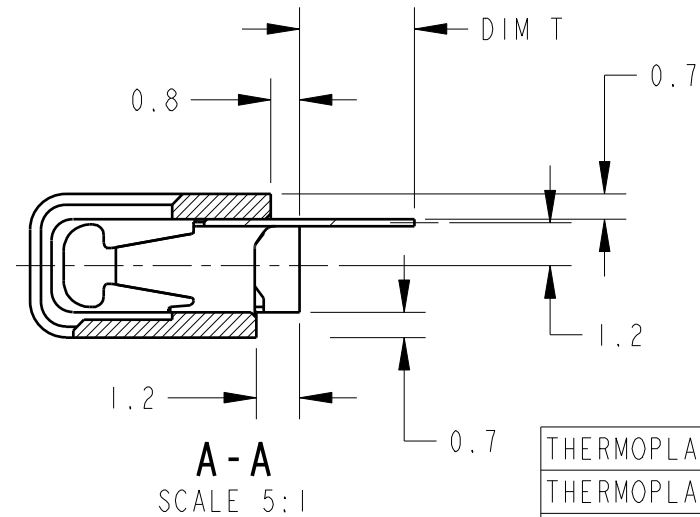
HALOGEN FREE  
LOGO  
ONLY FOR  
1827685-3



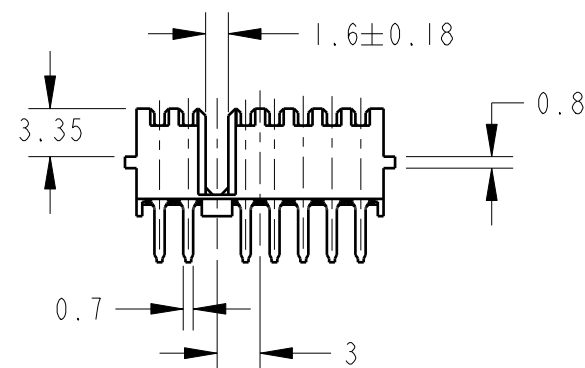
REFERENCE P.C BOARD LAYOUT  
P.C. BOARD THK. 0.8 1.2  
(VIEW FROM CONNECTOR MOUNTING SIDE)



DIP TYPE



THERMOPLASTIC RESIN (HALOGEN FREE)	2.20	1827685-4
THERMOPLASTIC RESIN (HALOGEN FREE)	3.20	1827685-3
THERMOPLASTIC RESIN	2.20	1827685-2
THERMOPLASTIC RESIN	3.20	1827685-1
HOUSING MATERIAL	DIM T	P/N



<small>THIS DRAWING IS A CONTROLLED DOCUMENT FOR TYCO ELECTRONICS CORPORATION IT IS SUBJECT TO CHANGE AND THE CONTROLLING ENGINEERING ORGANIZATION SHOULD BE CONTACTED FOR THE LATEST REVISION.</small>		DWN T. KATANO 04JUL05 CHK T. KIMURA 04JUL05 APVD T. KIMURA 04JUL05		Tyco Electronics Corporation Shanghai, P.R.China, 200233	
DIMENSIONS: mm		TOLERANCES UNLESS OTHERWISE SPECIFIED: ±0.3		NAME RECEPTACLE ASSEMBLY 7POS. REVERSE TYPE 2mm PITCH BATTERY CONNECTOR	
		0 PLC ± 1 PLC ±0.1 2 PLC ±0.01 3 PLC ±0.001 4 PLC ±0.0001 ANGLES ±3		PRODUCT SPEC 108-78292	
MATERIAL 1		FINISH 2		APPLICATION SPEC -	
		WEIGHT		SIZE A3 CAGE CODE 00779 DRAWING NO. ©=1827685 RESTRICTED TO -	
CUSTOMER DRAWING				SCALE 2:1 SHEET 1 OF 2 REV B	

4

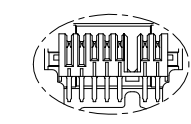
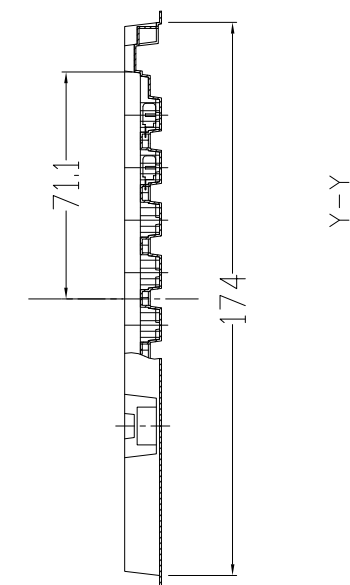
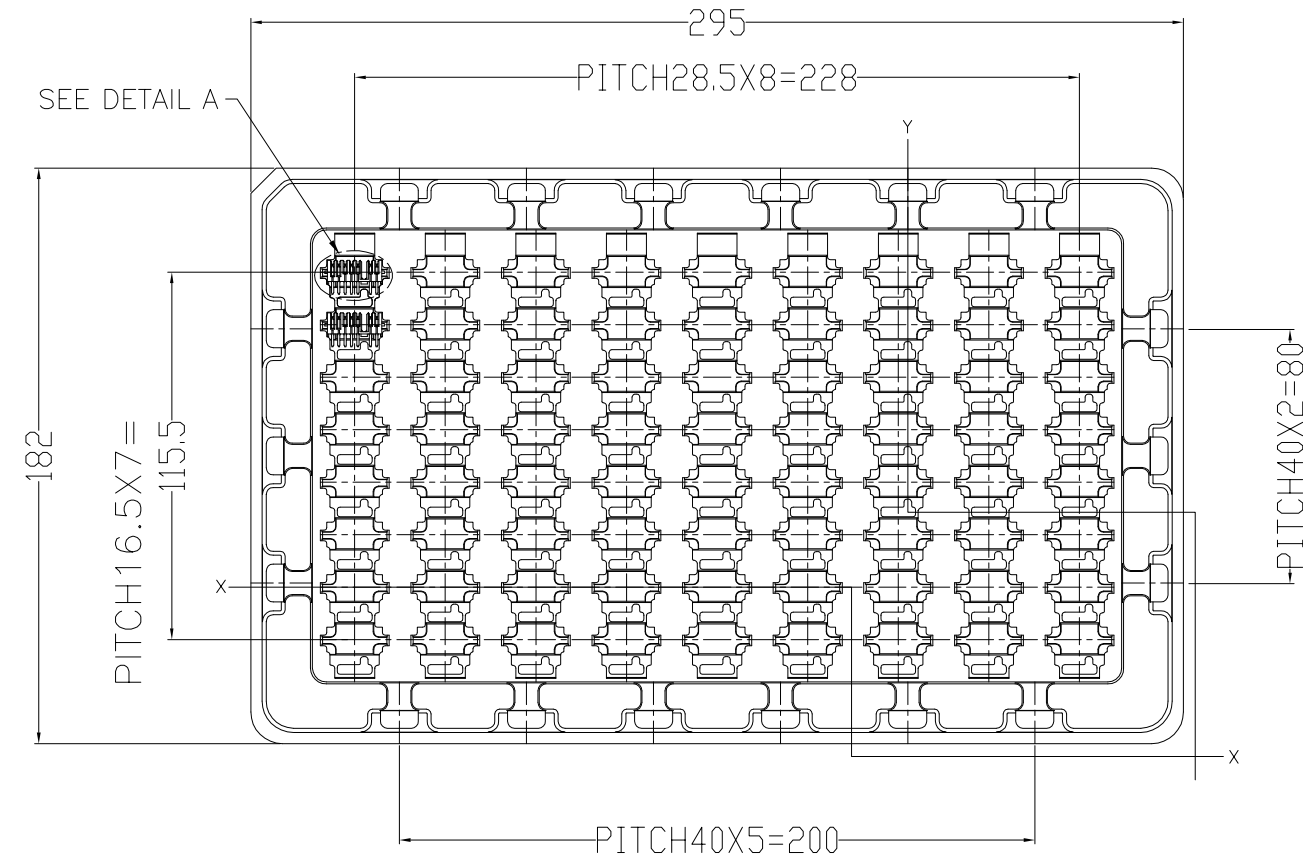
3

2

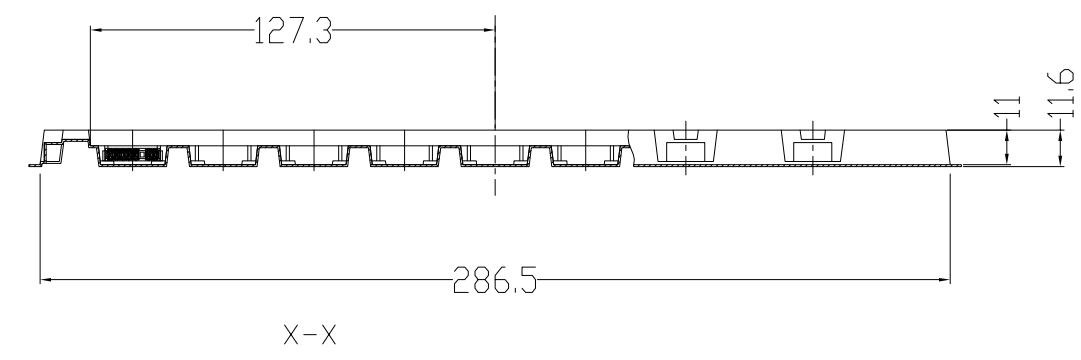
1

THIS DRAWING IS UNPUBLISHED. RELEASED FOR PUBLICATION 20  
 © COPYRIGHT 20 BY TYCO ELECTRONICS CORPORATION. ALL RIGHTS RESERVED.

LOC	DIST	REVISIONS			
P	LTR	DESCRIPTION	DATE	DWN	APVD
ES	-	SEE SHEET 1	-	-	-



DETAIL A  
SCALE 1:1



1. 72PCS/TRAY

<small>THIS DRAWING IS A CONTROLLED DOCUMENT FOR TYCO ELECTRONICS CORPORATION IT IS SUBJECT TO CHANGE AND THE CONTROLLING ENGINEERING ORGANIZATION SHOULD BE CONTACTED FOR THE LATEST REVISION.</small>		DWN T.KATANO 04JUL05 CHK T.KIMURA 04JUL05 APVD T.KIMURA 04JUL05	Tyco Electronics Corporation Shanghai P.R.CHINA 200233
DIMENSIONS: mm	TOLERANCES UNLESS OTHERWISE SPECIFIED: ± 0.3 0-PLC ± 1-PLC ±0.1 2-PLC ±0.01 3-PLC ±0.001 4-PLC ±0.0001 ANGLES ±3	PRODUCT SPEC 108-78292 APPLICATION SPEC -	NAME RECEPTACLE ASSEMBLY 7POS. REVERSE TYPE 2mm PITCH BATTERY CONNECTOR
MATERIAL -	FINISH -	WEIGHT -	SIZE A3 CAGE CODE 00779 DRAWING NO C=1827685 RESTRICTED TO -
CUSTOMER DRAWING		SCALE 2:1	SHEET 2 OF 2 REV B

# Mouser Electronics

Authorized Distributor

Click to View Pricing, Inventory, Delivery & Lifecycle Information:

[TE Connectivity:](#)

[1827685-3](#)