

Model BXY Series

Tire test X-Y Load Cell

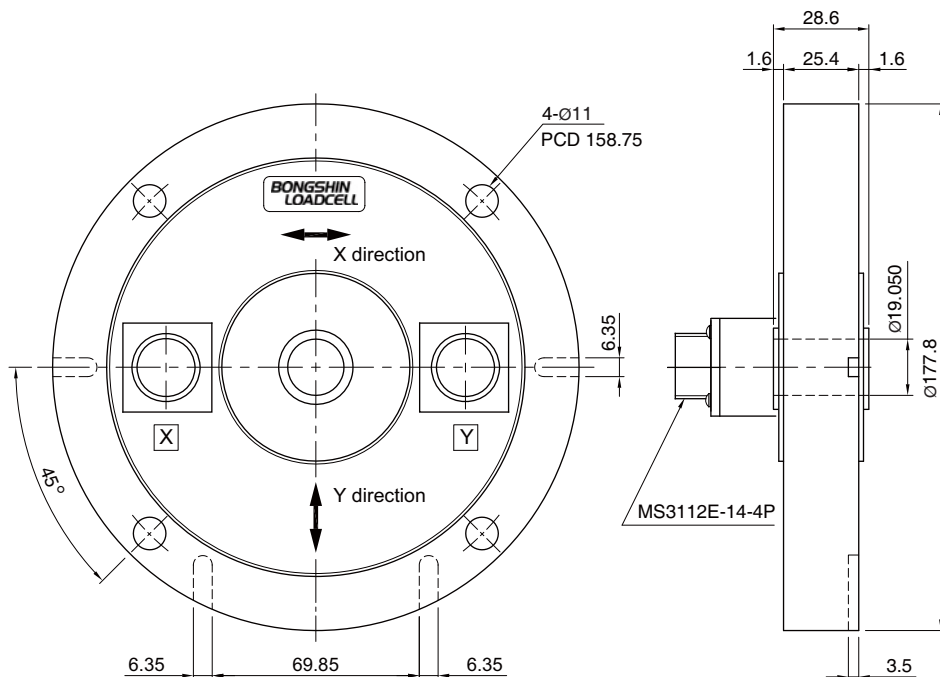
The model BXY is designed for side and radial force measurement.

- For tire testing applications
- Measure X & Y forces
- Minimal cross talk
- Stainless steel (17-4PH)



SPECIFICATIONS

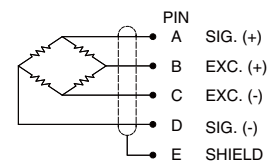
MODEL		BXY - 500K, 750K, 1000K
Rated capacity	BXY - 500K	X - 5kN, Y - 2.5kN
	BXY - 750K	X - 7.5kN, Y - 2.5kN
	BXY - 1000K	X - 10kN, Y - 5kN
Rated output (R.O.)		2.0mV/V ± 0.2%(X, Y axis)
Non-linearity		≤ 0.1% R.O.
Hysteresis		≤ 0.05% R.O.
Non-repeatability		≤ 0.05% R.O.
Creep error		≤ 0.05% in 20min.
Zero balance		≤ 1% R.O.
Crosstalk		≤ 0.5%
Compensated temperature range		-10 ~ 70°C
Operating temperature range		-20 ~ 80°C
Temp. effect on rated output		≤ 0.05% LOAD/10°C
Temp. effect on zero balance		≤ 0.05% R.O./10°C
Terminal input resistance		350 Ohms ± 3.5 Ohms
Terminal output resistance		350 Ohms ± 5 Ohms
Insulation resistance (Min.)		2000 MOhms at 50V DC
Excitation voltage		3~12V(Recommended), 15V(Max.)
Electrical connection		4Pin connector
Safe overload		150% R.C
Ultimate overload		300% R.C



ORDERING INFORMATION

MODEL	CAPACITY
BXY - 500K	X : 5kN (510kgf)
	Y : 2.5kN (255kgf)
BXY - 750K	X : 7.5kN (765kgf)
	Y : 2.5kN (255kgf)
BXY - 1000K	X : 10kN (1020kgf)
	Y : 5kN (510kgf)

WIRING INFORMATION



* Specifications are subject to change without notice

FEB, 2021

BONGSHIN LOADCELL CO., LTD.

55, Seobuk-ro, Gajang Ind. Complex, Osan-si, Korea / 18103
 TEL : 82-31-742-6661 www.bongshin.com
 FAX : 82-31-742-6664 E-mail : loadcell@bongshin.com