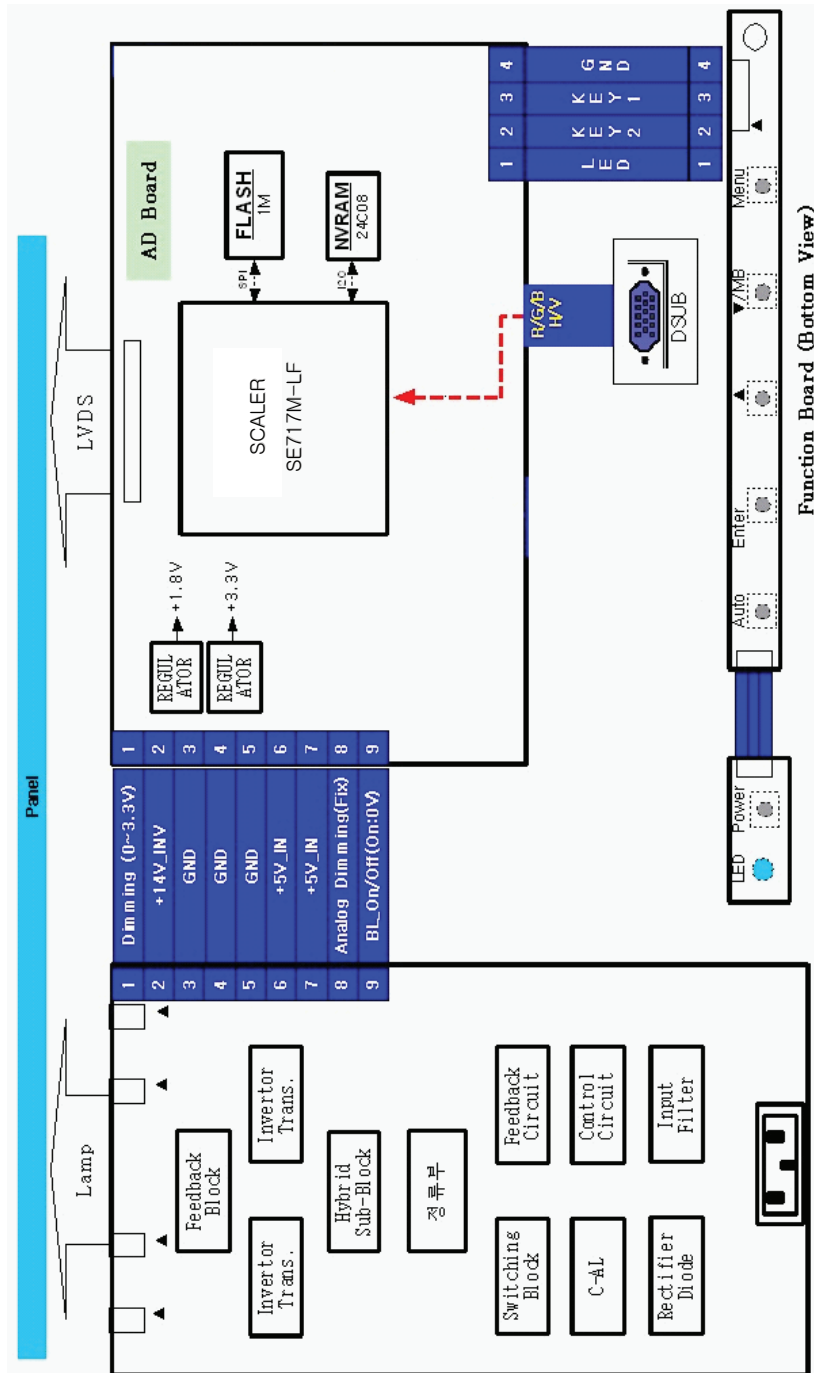


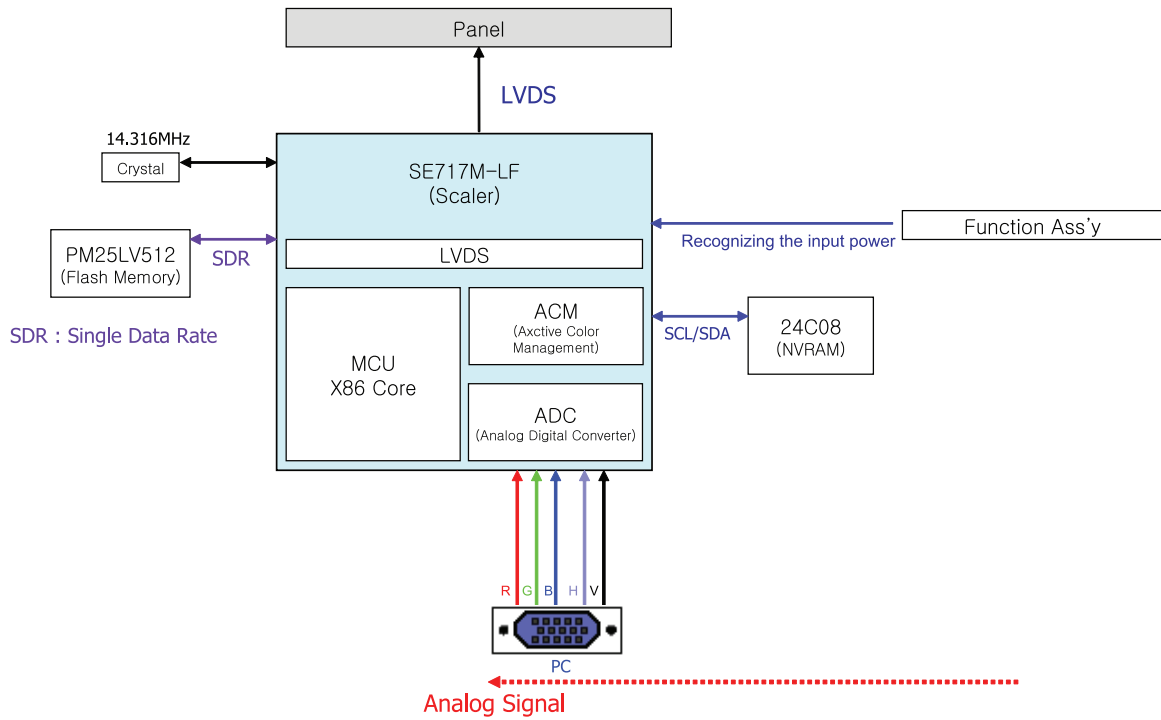
7. Schematic Diagram

7-1. Circuit Descriptions

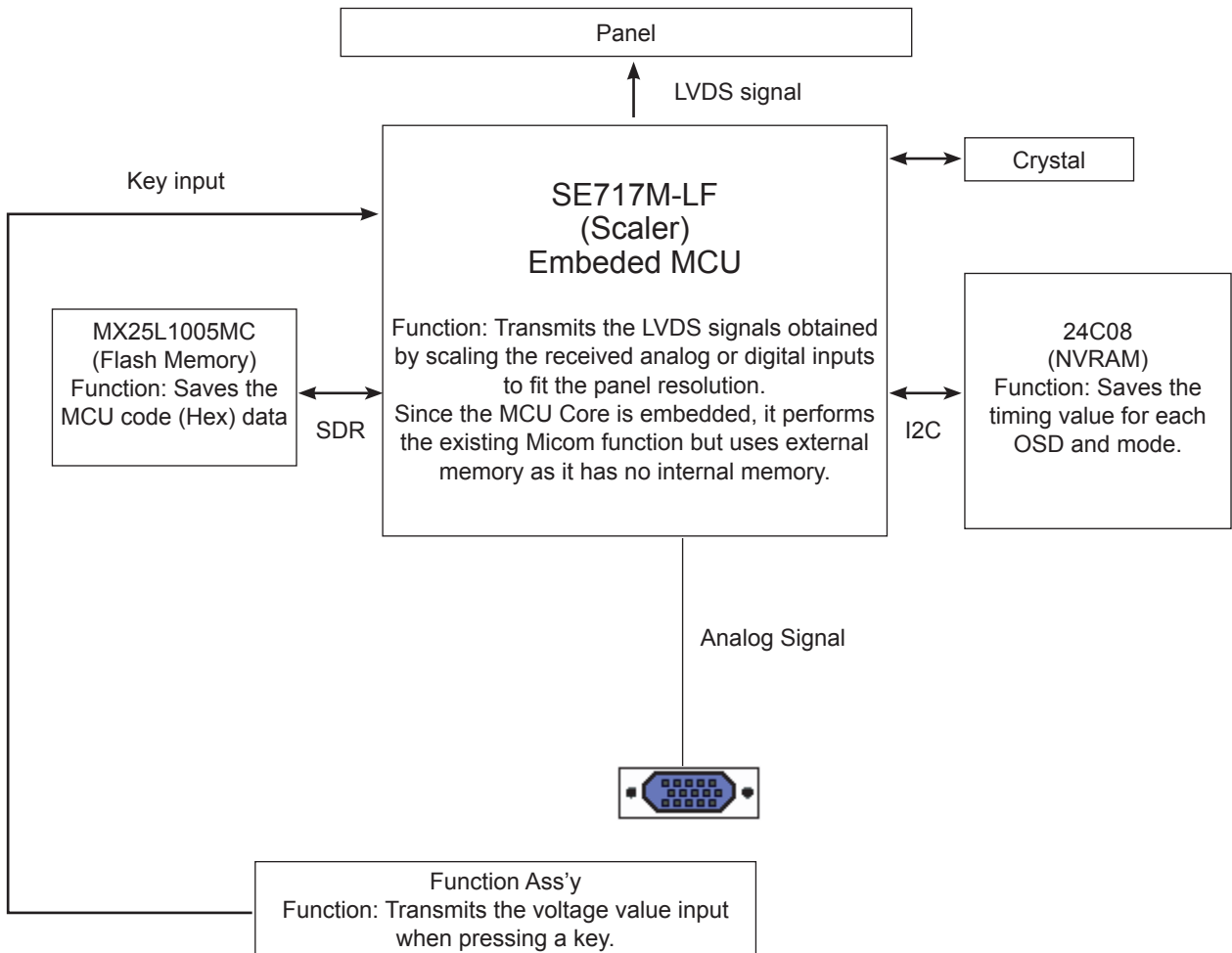


| Location | Function | Remark |
|--------------------|--|---------------------------|
| Scaler IC200 | Besides the ADC, LVDS, and scaling part, an MCU is embedded as well. All of them are integrated into one chip. | SE717M-LF |
| Flash Memory IC201 | Stores the MCU program embedded in the scaler. It is of a flash type and rewritable. | MX25L1005MC |
| IC203 | Stores the OSD and various timing values. | 24C08 |
| Regulator | An IC that receives DC voltage inputs. It is used in circuits that stabilize the DC voltage. | AP1084K18A AP1117D-33A |

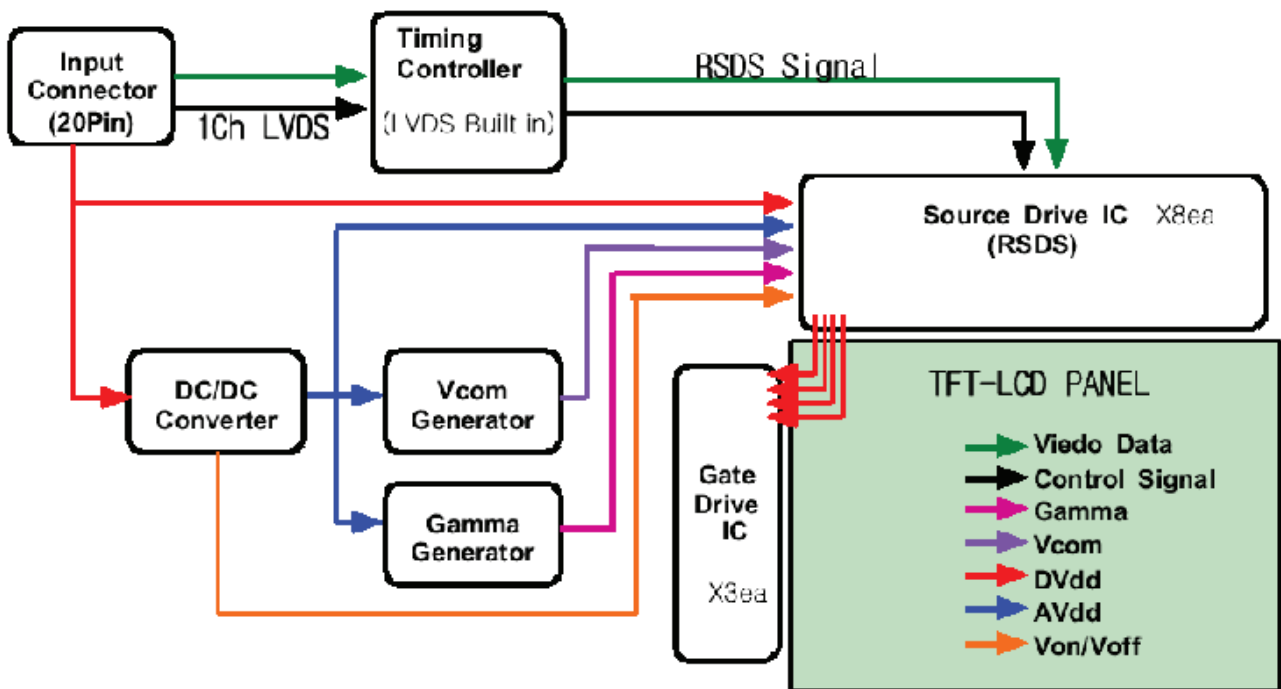
7-2. Schematic Diagrams(Main Block Diagram)



7-3. Schematic Diagrams(Main Block Diagram)

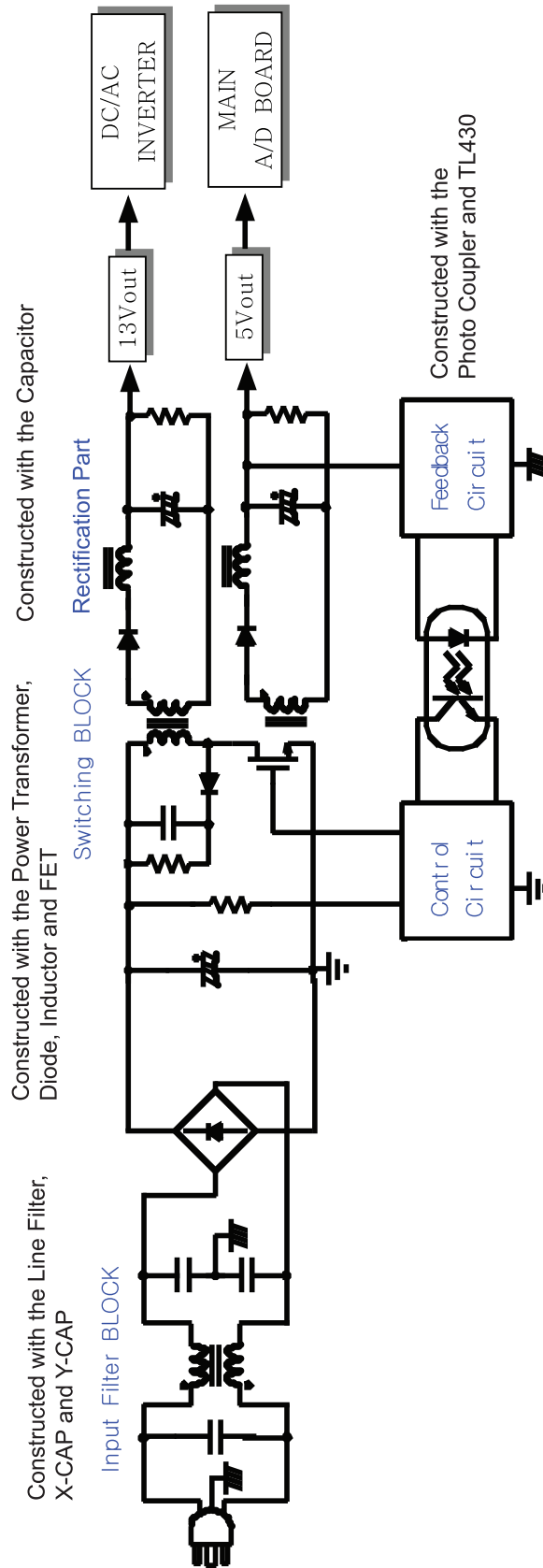


7-4. Schematic Diagrams(Panel Part)

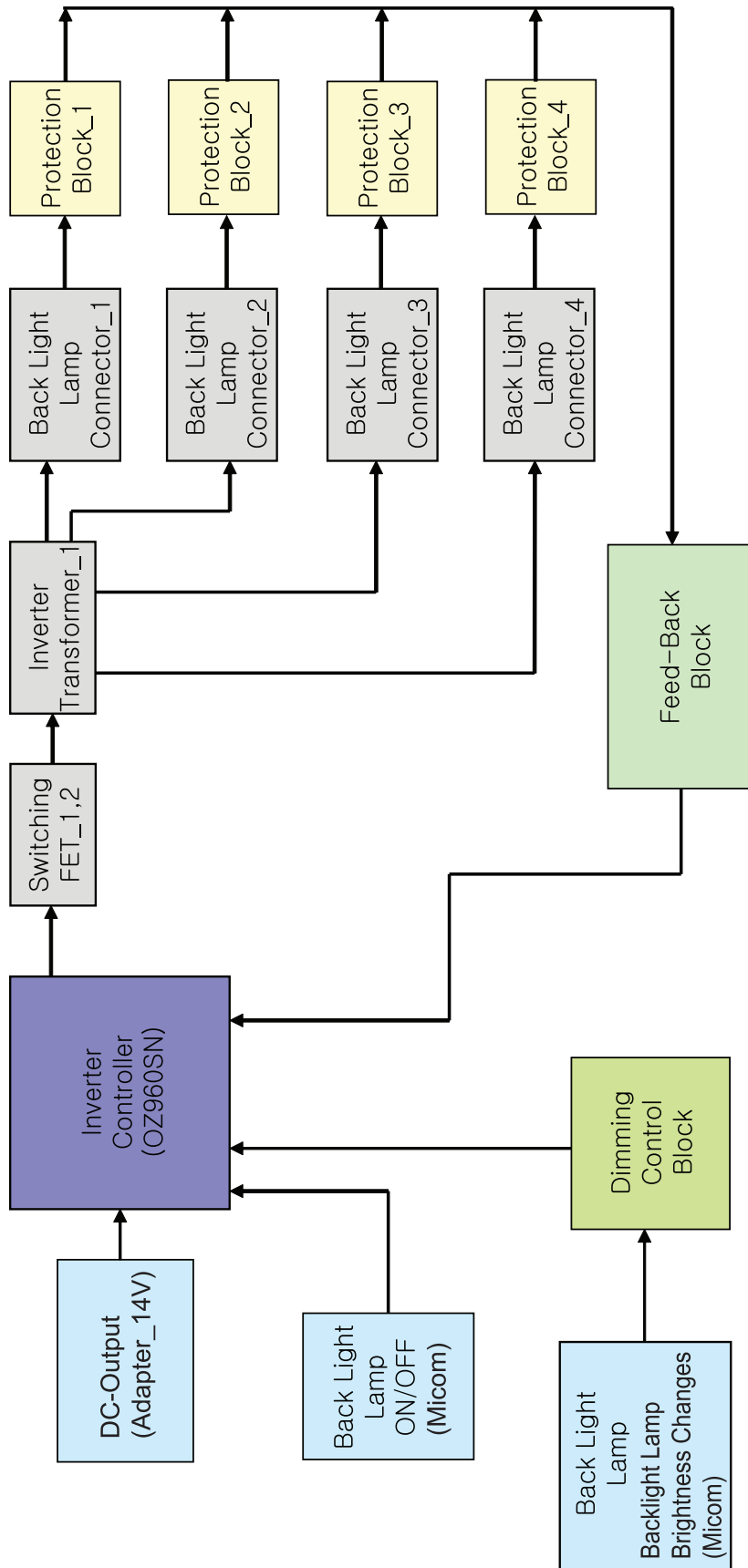


7-5. Schematic Diagrams(IP Board)

■ SMPS Part



■ Inverter Part



Memo