



4N60

Power MOSFET

4A, 600V N-CHANNEL POWER MOSFET

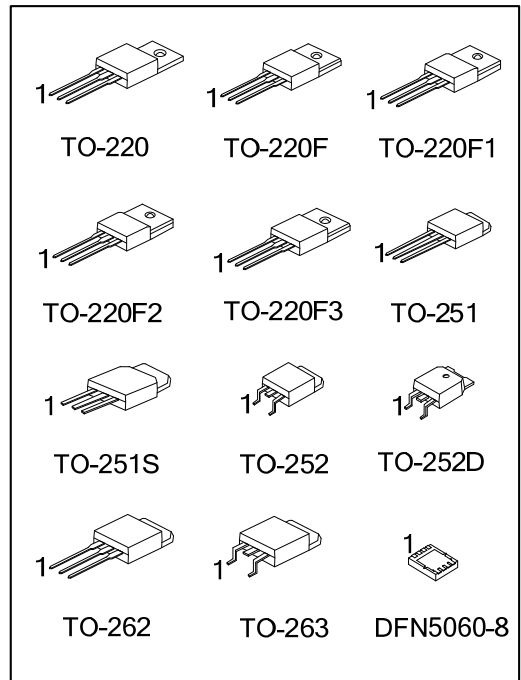
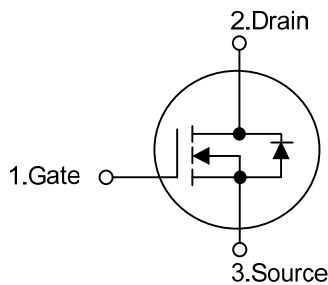
DESCRIPTION

The UTC **4N60** is a high voltage power MOSFET and is designed to have better characteristics, such as fast switching time, low gate charge, low on-state resistance and have a high rugged avalanche characteristics. This power MOSFET is usually used at high speed switching applications in power supplies, PWM motor controls, high efficient DC to DC converters and bridge circuits.

FEATURES

- * $R_{DS(ON)} < 2.5\Omega @ V_{GS} = 10V, I_D = 2.2A$
- * Fast Switching Capability
- * Avalanche Energy Specified
- * Improved dv/dt Capability, high Ruggedness

SYMBOL



ORDERING INFORMATION

Ordering Number		Package	Pin Assignment								Packing
Lead Free	Halogen Free		1	2	3	4	5	6	7	8	
4N60L-TA3-T	4N60G-TA3-T	TO-220	G	D	S	-	-	-	-	-	Tube
4N60L-TF1-T	4N60G-TF1-T	TO-220F1	G	D	S	-	-	-	-	-	Tube
4N60L-TF2-T	4N60G-TF2-T	TO-220F2	G	D	S	-	-	-	-	-	Tube
4N60L-TF3-T	4N60G-TF3-T	TO-220F	G	D	S	-	-	-	-	-	Tube
4N60L-TF3T-T	4N60G-TF3T-T	TO-220F3	G	D	S	-	-	-	-	-	Tube
4N60L-TM3-T	4N60G-TM3-T	TO-251	G	D	S	-	-	-	-	-	Tube
4N60L-TMS-T	4N60G-TMS-T	TO-251S	G	D	S	-	-	-	-	-	Tube
4N60L-TN3-R	4N60G-TN3-R	TO-252	G	D	S	-	-	-	-	-	Tape Reel
4N60L-TND-R	4N60G-TND-R	TO-252D	G	D	S	-	-	-	-	-	Tape Reel
4N60L-T2Q-T	4N60G-T2Q-T	TO-262	G	D	S	-	-	-	-	-	Tube
4N60L-TQ2-T	4N60G-TQ2-T	TO-263	G	D	S	-	-	-	-	-	Tube
4N60L-TQ2-R	4N60G-TQ2-R	TO-263	G	D	S	-	-	-	-	-	Tape Reel
4N60G-K08-5060-R	4N60G-K08-5060-R	DFN5060-8	S	S	S	G	D	D	D	D	Tape Reel

Note: Pin Assignment: G: Gate D: Drain S: Source

<p>4N60G-TA3-T</p> <p>(1) Packing Type</p> <p>(2) Package Type</p> <p>(3) Green Package</p>	<p>(1) T: Tube, R: Tape Reel</p> <p>(2) TA3: TO-220, TF1: TO-220F1, TF2: TO-220F2, TF3: TO-220F, TF3T: TO-220F3, TM3: TO-251, TMS: TO-251S, TN3: TO-252, TND: TO-252D, T2Q: TO-262, TQ2: TO-263, K08-5060: DFN5060-8</p> <p>(3) G: Halogen Free and Lead Free, L: Lead Free</p>
---	---

MARKING

PACKAGE	MARKING
TO-220 TO-220F TO-220F1 TO-220F2 TO-220F3 TO-251	TO-251S TO-252 TO-252D TO-262 TO-263
DFN5060-8	

TO-220 Marking: UTC, 4N60, Lot Code, Data Code

DFN5060-8 Marking: UTC, 4N60, Lot Code, Date Code

■ ABSOLUTE MAXIMUM RATINGS ($T_C = 25^\circ\text{C}$, unless otherwise specified)

PARAMETER	SYMBOL	RATINGS	UNIT	
Drain-Source Voltage	V_{DSS}	600	V	
Gate-Source Voltage	V_{GSS}	± 30	V	
Avalanche Current (Note 2)	I_{AR}	4.4	A	
Drain Current	Continuous	I_D	4.0	A
	Pulsed (Note 2)	I_{DM}	16	A
Avalanche Energy	Single Pulsed (Note 3)	E_{AS}	260	mJ
	Repetitive (Note 2)	E_{AR}	10.6	mJ
Peak Diode Recovery dv/dt (Note 4)	dv/dt	4.5	V/ns	
Power Dissipation	TO-220/TO-262/TO-263	P_D	106	W
	TO-220F/TO-220F1		36	
	TO-220F3		38	
	TO-220F2		50	
	TO-251/TO-251S		30	
	TO-252/TO-252D			
DFN5060-8				
Junction Temperature	T_J	+150	$^\circ\text{C}$	
Operating Temperature	T_{OPR}	-55 ~ +150	$^\circ\text{C}$	
Storage Temperature	T_{STG}	-55 ~ +150	$^\circ\text{C}$	

Notes: 1. Absolute maximum ratings are those values beyond which the device could be permanently damaged.

Absolute maximum ratings are stress ratings only and functional device operation is not implied.

2. Repetitive Rating : Pulse width limited by maximum junction temperature

3. $L = 30\text{mH}$, $I_{AS} = 4\text{A}$, $V_{DD} = 50\text{V}$, $R_G = 25\ \Omega$, Starting $T_J = 25^\circ\text{C}$

4. $I_{SD} \leq 4.4\text{A}$, $di/dt \leq 200\text{A}/\mu\text{s}$, $V_{DD} \leq BV_{DSS}$, Starting $T_J = 25^\circ\text{C}$

■ THERMAL DATA

PARAMETER	PACKAGE	SYMBOL	RATINGS	UNIT
Junction to Ambient	TO-220/TO-262/TO-263	θ_{JA}	62.5	$^\circ\text{C}/\text{W}$
	TO-220F/TO-220F1			
	TO-220F2/TO-220F3			
	TO-251/TO-251S			
	TO-252/TO-252D			
DFN5060-8		75		
Junction to Case	TO-220/TO-262/TO-263	θ_{JC}	1.18	$^\circ\text{C}/\text{W}$
	TO-220F/TO-220F1		3.47	
	TO-220F3		3.28	
	TO-220F2		2.5	
	TO-251/TO-251S			
	TO-252/TO-252D			
	DFN5060-8		4.17	

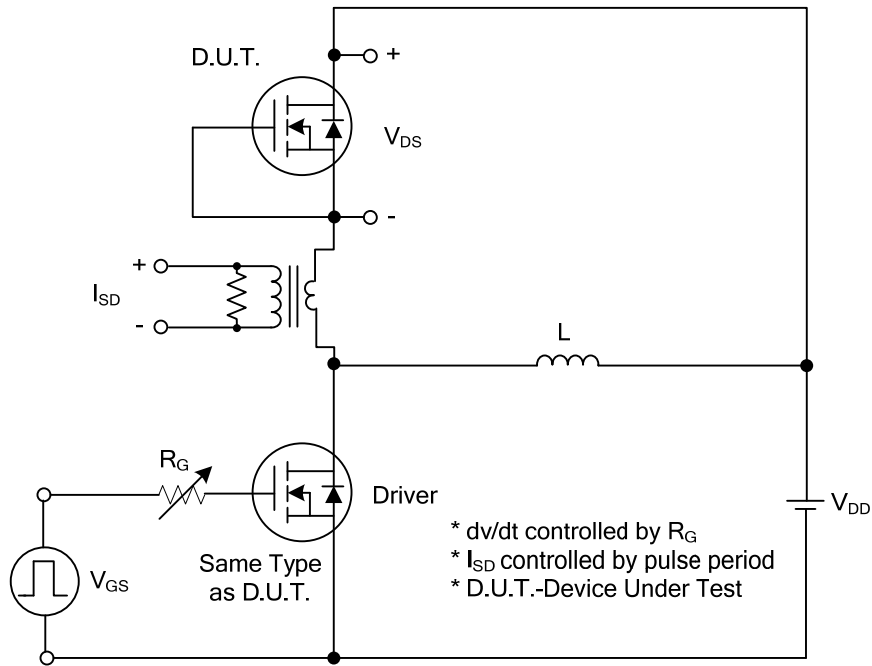
■ ELECTRICAL CHARACTERISTICS (T_C=25°C, unless otherwise specified)

PARAMETER	SYMBOL	TEST CONDITIONS	MIN	TYP	MAX	UNIT
OFF CHARACTERISTICS						
Drain-Source Breakdown Voltage	BV _{DSS}	V _{GS} = 0V, I _D = 250μA	600			V
Drain-Source Leakage Current	I _{DSS}	V _{DS} = 600V, V _{GS} = 0V			10	μA
		V _{DS} = 480V, T _C = 125°C			100	μA
Gate-Source Leakage Current	Forward	I _{GSS}				
	Reverse					
		V _{GS} = -30V, V _{DS} = 0V			-100	nA
Breakdown Voltage Temperature Coefficient	ΔBV _{DSS} /ΔT _J	I _D =250μA, Referenced to 25°C		0.6		V/°C
ON CHARACTERISTICS						
Gate Threshold Voltage	V _{GS(TH)}	V _{DS} = V _{GS} , I _D = 250μA	2.0		4.0	V
Static Drain-Source On-State Resistance	R _{DS(ON)}	V _{GS} = 10 V, I _D = 2.2A		1.9	2.5	Ω
DYNAMIC CHARACTERISTICS						
Input Capacitance	C _{ISS}	V _{DS} = 25V, V _{GS} = 0V, f = 1MHz		550	670	pF
Output Capacitance	C _{OSS}			80	100	pF
Reverse Transfer Capacitance	C _{RSS}			30	50	pF
SWITCHING CHARACTERISTICS						
Total Gate Charge	Q _G	V _{DS} = 480V, I _D = 4.0A, V _{GS} = 10V (Note 1, 2)		80	100	nC
Gate-Source Charge	Q _{GS}			5		nC
Gate-Drain Charge	Q _{GD}			20		nC
Turn-On Delay Time	t _{D(ON)}	V _{DD} = 300V, I _D = 4.0A, R _G = 25Ω (Note 1, 2)		35	55	ns
Turn-On Rise Time	t _R			80	110	ns
Turn-Off Delay Time	t _{D(OFF)}			160	200	ns
Turn-Off Fall Time	t _F			120	150	ns
SOURCE- DRAIN DIODE RATINGS AND CHARACTERISTICS						
Maximum Continuous Drain-Source Diode Forward Current	I _S				4.4	A
Maximum Pulsed Drain-Source Diode Forward Current	I _{SM}				17.6	A
Drain-Source Diode Forward Voltage	V _{SD}	V _{GS} = 0V, I _S = 4.4A			1.4	V
Reverse Recovery Time	t _{rr}	V _{GS} = 0 V, I _S = 4.4A, dI _F /dt = 100 A/μs (Note 1)		250		ns
Reverse Recovery Charge	Q _{rr}				1.5	

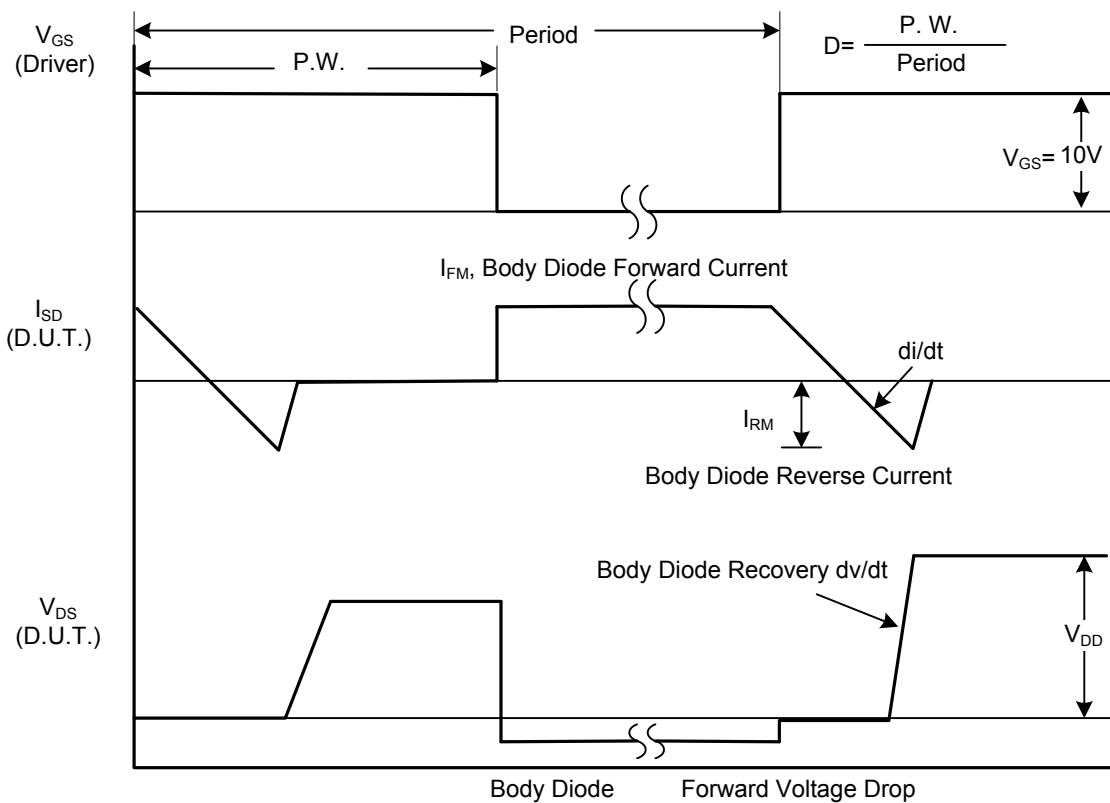
Notes: 1. Pulse Test: Pulse width ≤ 300μs, Duty cycle ≤ 2%

2. Essentially independent of operating temperature

■ TEST CIRCUITS AND WAVEFORMS

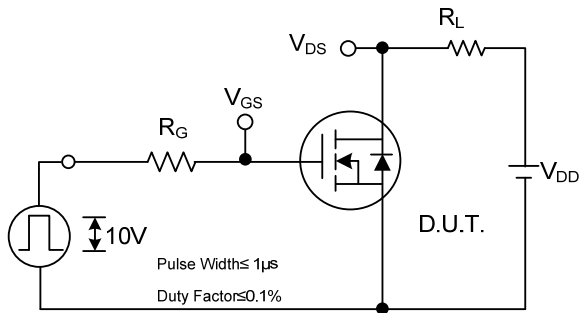


Peak Diode Recovery dv/dt Test Circuit

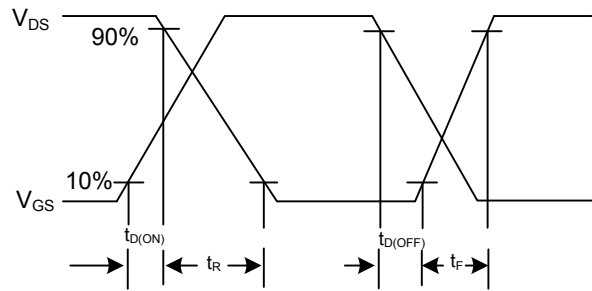


Peak Diode Recovery dv/dt Waveforms

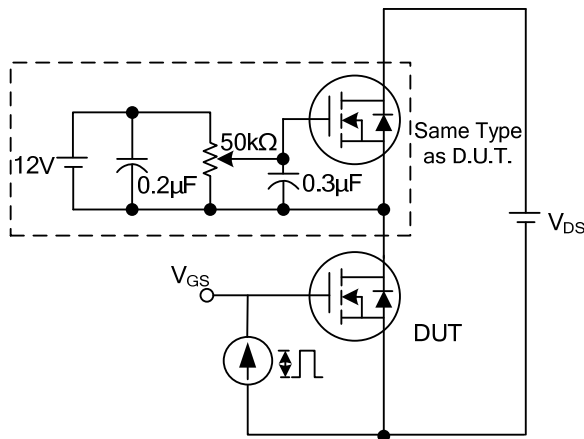
■ TEST CIRCUITS AND WAVEFORMS (Cont.)



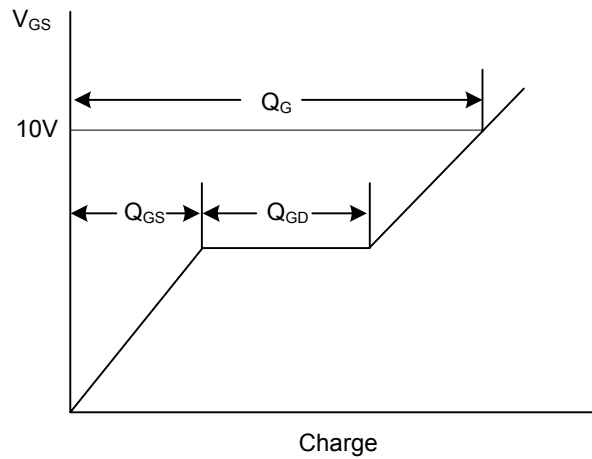
Switching Test Circuit



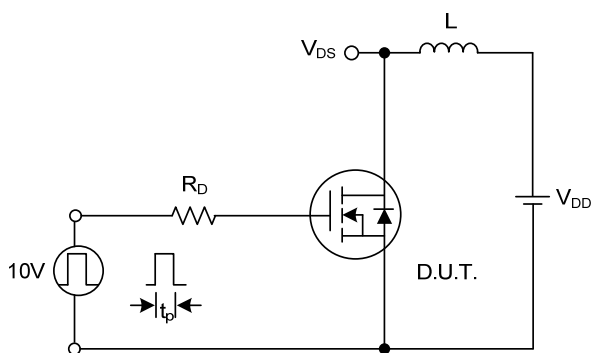
Switching Waveforms



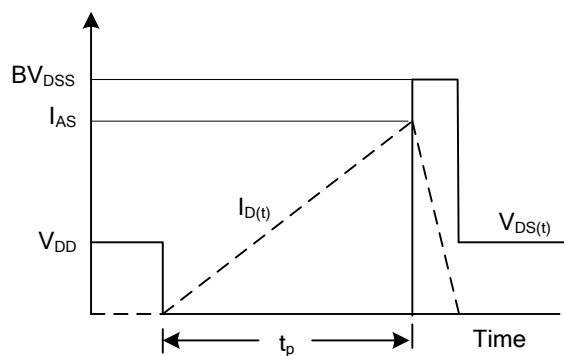
Gate Charge Test Circuit



Gate Charge Waveform



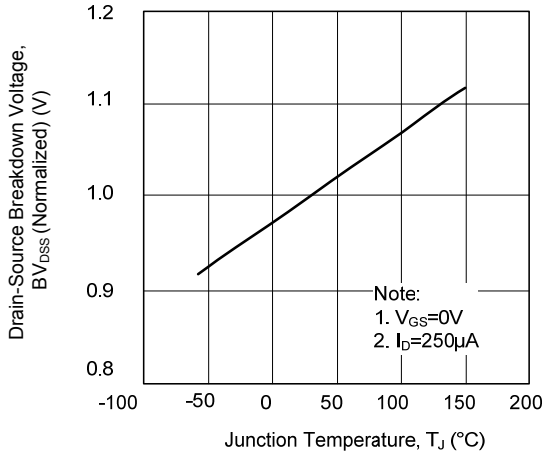
Unclamped Inductive Switching Test Circuit



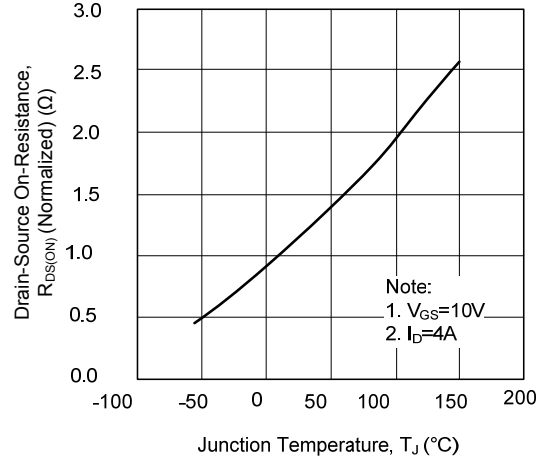
Unclamped Inductive Switching Waveforms

TYPICAL CHARACTERISTICS

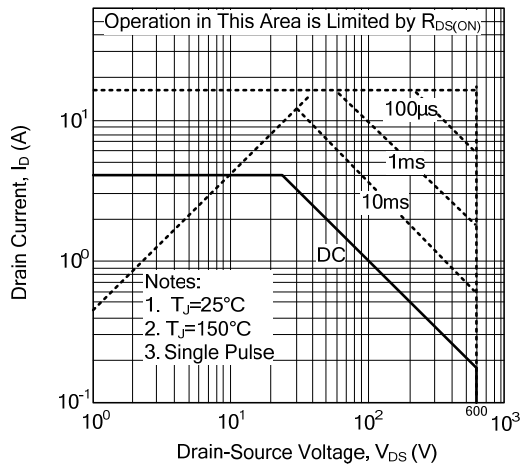
Breakdown Voltage Variation vs. Temperature



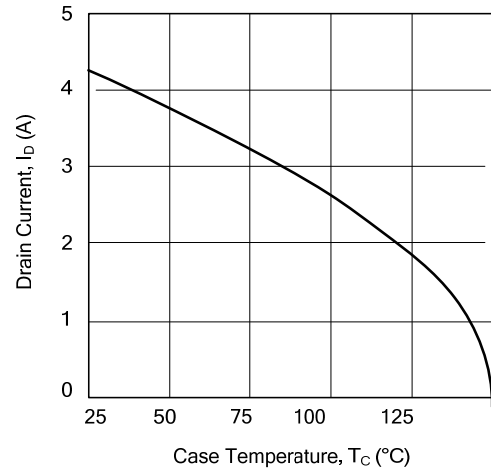
On-Resistance Junction Temperature



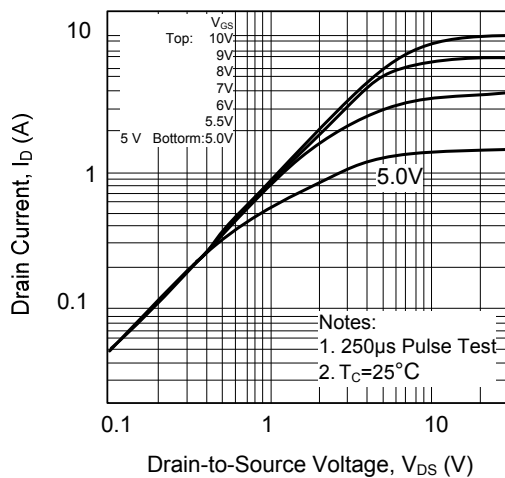
Safe Operating Area - 600V



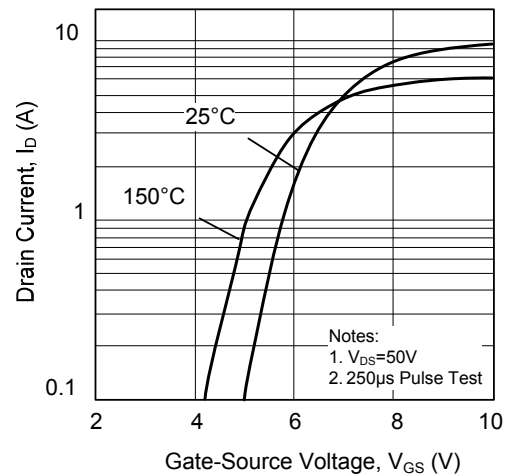
Maximum Drain Current vs. Case Temperature



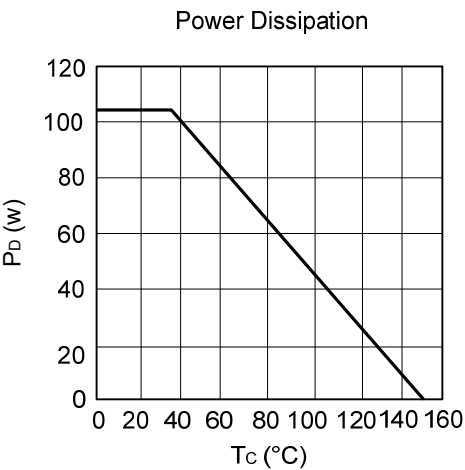
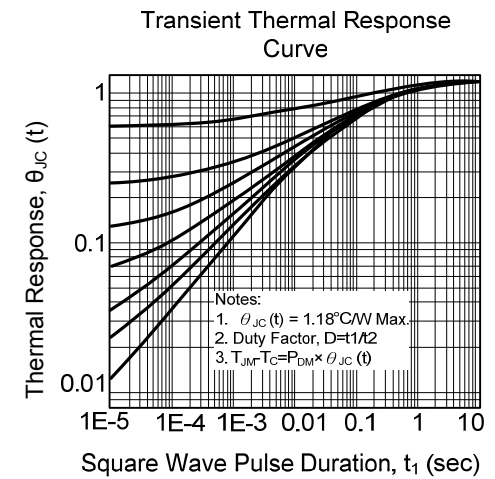
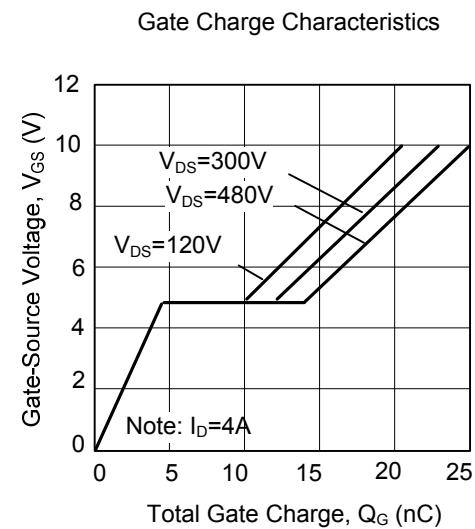
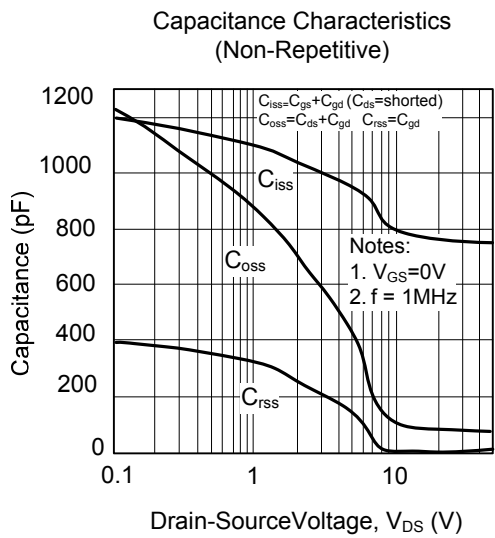
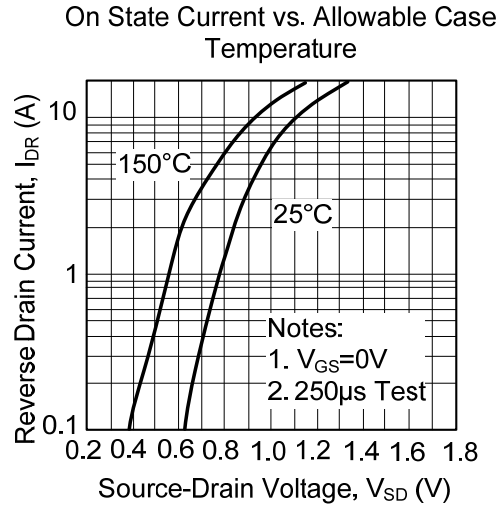
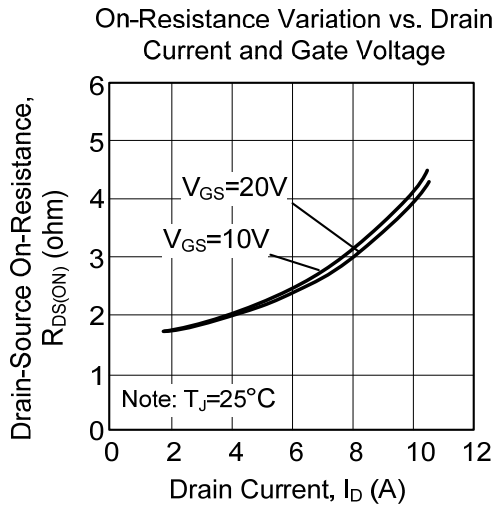
On-State Characteristics



Transfer Characteristics



■ TYPICAL CHARACTERISTICS(Cont.)



UTC assumes no responsibility for equipment failures that result from using products at values that exceed, even momentarily, rated values (such as maximum ratings, operating condition ranges, or other parameters) listed in products specifications of any and all UTC products described or contained herein. UTC products are not designed for use in life support appliances, devices or systems where malfunction of these products can be reasonably expected to result in personal injury. Reproduction in whole or in part is prohibited without the prior written consent of the copyright owner. The information presented in this document does not form part of any quotation or contract, is believed to be accurate and reliable and may be changed without notice.