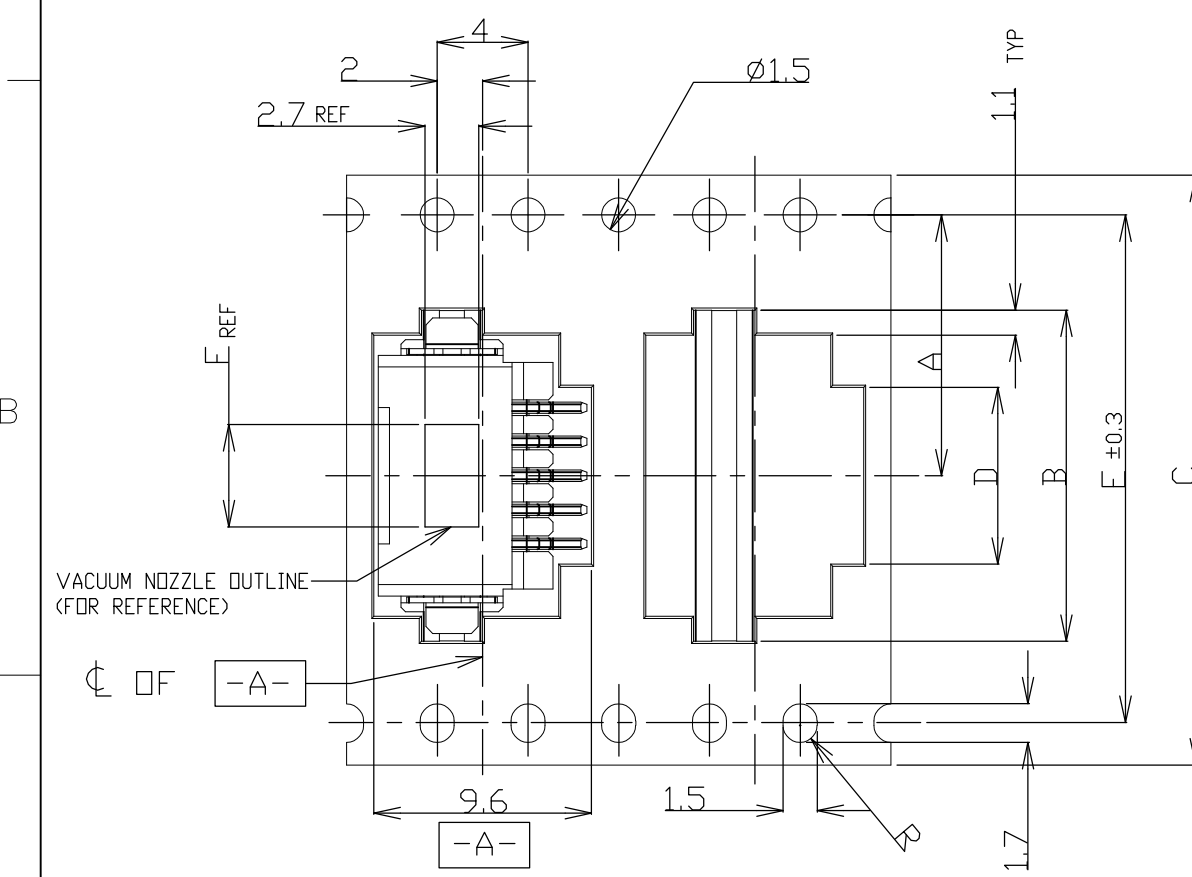
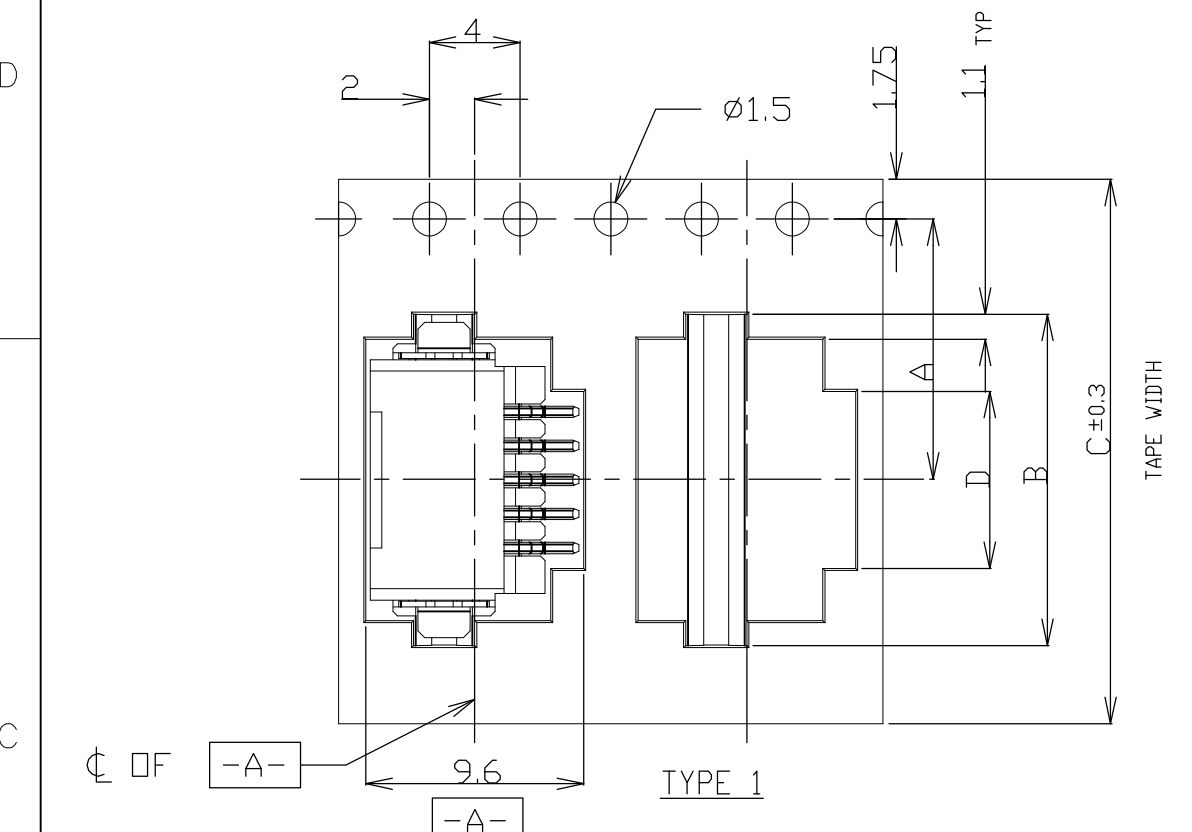


THIS DRAWING IS UNPUBLISHED. RELEASED FOR PUBLICATION
 © COPYRIGHT - By - ALL RIGHTS RESERVED.

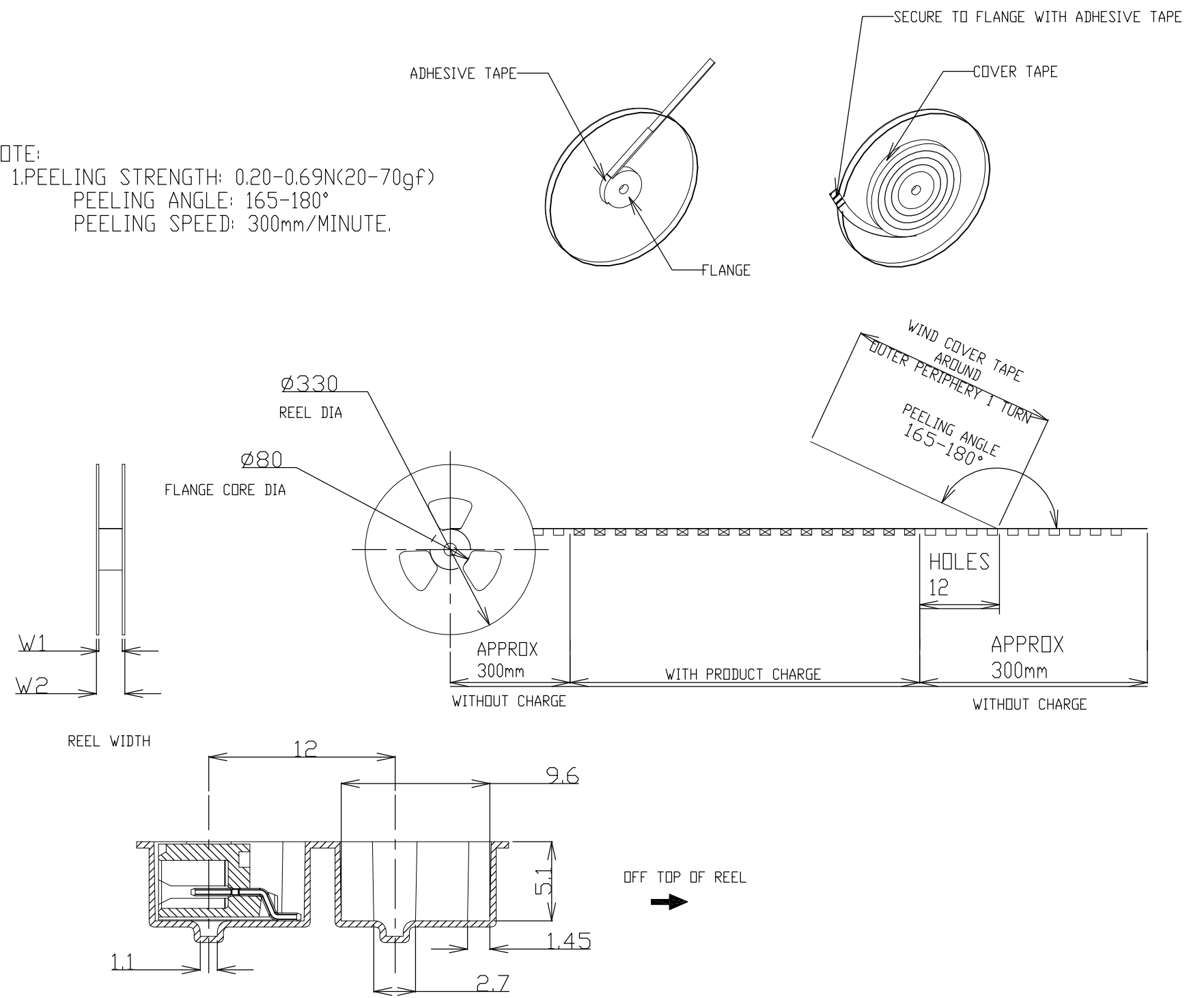
LOC	DIST	REVISIONS					
ES	00	P	LTR	DESCRIPTION	DATE	DWN	APVD
		C1	REVISED	ECR-12-021182	10DEC12	J.J	S.Y



TOLERANCES UNLESS OTHERWISE SPECIFIED:

10 >	: ±0.2
30 > * > 10	: ±0.25
100 > * > 30	: ±0.3
ANGLE	: ±3°

NOTE:
 1. PEELING STRENGTH: 0.20-0.69N(20-70gf)
 PEELING ANGLE: 165-180°
 PEELING SPEED: 300mm/MINUTE.



THIS DRAWING IS A CONTROLLED DOCUMENT.		DWN S.XU 31JAN03	STE TE Connectivity	
		CHK S.YAO 31JAN03		
		APVD T.SASAKI 31JAN03	NAME	
		PRODUCT SPEC	AMP Mini CT Connector 1.5mm PITCH	
		APPLICATION SPEC	SINGLE ROW POST HDR ASS'Y (H)	
		WEIGHT	SMT TYPE WITH BOSS, EMBOSS TAPE PACKAGED	
		CUSTOMER DRAWING	SIZE A3	RESTRICTED TO
			CAGE CODE 00779	
			DRAWING NO C-292227	
			SCALE NTS	
			SHEET 1 OF 4	
			REV C1	

THIS DRAWING IS UNPUBLISHED. RELEASED FOR PUBLICATION
 © COPYRIGHT - By - ALL RIGHTS RESERVED.

LOC	DIST	REVISIONS					
ES	00	P	LTR	DESCRIPTION	DATE	DWN	APVD
		-		SEE SHEET 1	-	-	-

TAPE TYPE	W2	W1	F	E	D	C	B	A	QTY/REEL	POS	COLOR	DN TAPE P/N	
TYPE 2	61.5	57.5	6.2	52.4	30.5	56	37.1	±0.15 26.2	700	20	BLACK	7-292227-0	
	61.5	57.5	6.2	52.4	29.0	56	35.6		700	19		6-292227-9	
	49.5	45.5	6.2	40.4	27.5	44	34.1	20.2 ±0.15	700	18		6-292227-8	
	49.5	45.5	6.2	40.4	26.0	44	32.6		700	17		6-292227-7	
	49.5	45.5	6.2	40.4	24.5	44	31.1		700	16		6-292227-6	
	49.5	45.5	6.2	40.4	23.0	44	29.6		700	15		6-292227-5	
	49.5	45.5	6.2	40.4	21.5	44	28.1		700	14		6-292227-4	
	49.5	45.5	6.2	40.4	20.0	44	26.6		700	13		6-292227-3	
	49.5	45.5	6.2	40.4	18.5	44	25.1		700	12		6-292227-2	
	49.5	45.5	6.2	40.4	17.0	44	23.6		20.2	700		11	6-292227-1
	37.5	33.5	6.2	28.4	15.5	32	22.1		14.2	700		10	6-292227-0
	37.5	33.5	6.2	28.4	14.0	32	20.6		14.2	700		9	5-292227-9
	37.5	33.5	6.2	28.4	12.5	32	19.1	14.2	700	8		5-292227-8	
	37.5	33.5	6.2	28.4	11.0	32	17.6	14.2	700	7		5-292227-7	
	TYPE 1	29.5	25.5	6.2	-	9.5	24	16.1	11.5	700		6	5-292227-6
		29.5	25.5	6.2	-	8.0	24	14.6	11.5	700		5	5-292227-5
		29.5	25.5	6.2	-	6.5	24	13.1	11.5	700		4	5-292227-4
		29.5	25.5	4.7	-	5.0	24	11.6	11.5	700		3	5-292227-3
29.5		25.5	2.8	-	3.5	24	10.1	11.5	700	2	5-292227-2		

TAPE TYPE	W2	W1	F	E	D	C	B	A	QTY/REEL	POS	COLOR	DN TAPE P/N	
TYPE 2	61.5	57.5	6.2	52.4	30.5	56	37.1	±0.15 26.2	700	20	BEIGE	2-292227-0	
	61.5	57.5	6.2	52.4	29.0	56	35.6		700	19		1-292227-9	
	49.5	45.5	6.2	40.4	27.5	44	34.1	20.2 ±0.15	700	18		1-292227-8	
	49.5	45.5	6.2	40.4	26.0	44	32.6		700	17		1-292227-7	
	49.5	45.5	6.2	40.4	24.5	44	31.1		700	16		1-292227-6	
	49.5	45.5	6.2	40.4	23.0	44	29.6		700	15		1-292227-5	
	49.5	45.5	6.2	40.4	21.5	44	28.1		700	14		1-292227-4	
	49.5	45.5	6.2	40.4	20.0	44	26.6		700	13		1-292227-3	
	49.5	45.5	6.2	40.4	18.5	44	25.1		700	12		1-292227-2	
	49.5	45.5	6.2	40.4	17.0	44	23.6		20.2	700		11	1-292227-1
	37.5	33.5	6.2	28.4	15.5	32	22.1		14.2	700		10	1-292227-0
	37.5	33.5	6.2	28.4	14.0	32	20.6		14.2	700		9	292227-9
	37.5	33.5	6.2	28.4	12.5	32	19.1	14.2	700	8		292227-8	
	37.5	33.5	6.2	28.4	11.0	32	17.6	14.2	700	7		292227-7	
	TYPE 1	29.5	25.5	6.2	-	9.5	24	16.1	11.5	700		6	292227-6
		29.5	25.5	6.2	-	8.0	24	14.6	11.5	700		5	292227-5
		29.5	25.5	6.2	-	6.5	24	13.1	11.5	700		4	292227-4
		29.5	25.5	4.7	-	5.0	24	11.6	11.5	700		3	292227-3
29.5		25.5	2.8	-	3.5	24	10.1	11.5	700	2	292227-2		

THIS DRAWING IS A CONTROLLED DOCUMENT.		DWN	S.XU	31JAN03	 TE Connectivity AMP Mini CT Connector 1.5mm PITCH SINGLE ROW POST HDR ASS'Y (H) SMT TYPE WITH BOSS, EMBOSS TAPE PACKAGED
DIMENSIONS: mm		CHK	S.YAO	31JAN03	
		APVD	T.SASAKI	31JAN03	
TOLERANCES UNLESS OTHERWISE SPECIFIED:		PRODUCT SPEC	108-60018		
MATERIAL		FINISH	114-5223		NAME
			CUSTOMER DRAWING		SIZE
					CAGE CODE
					DRAWING NO
					RESTRICTED TO
					SCALE
					SHEET
					REV

THIS DRAWING IS UNPUBLISHED.

RELEASED FOR PUBLICATION

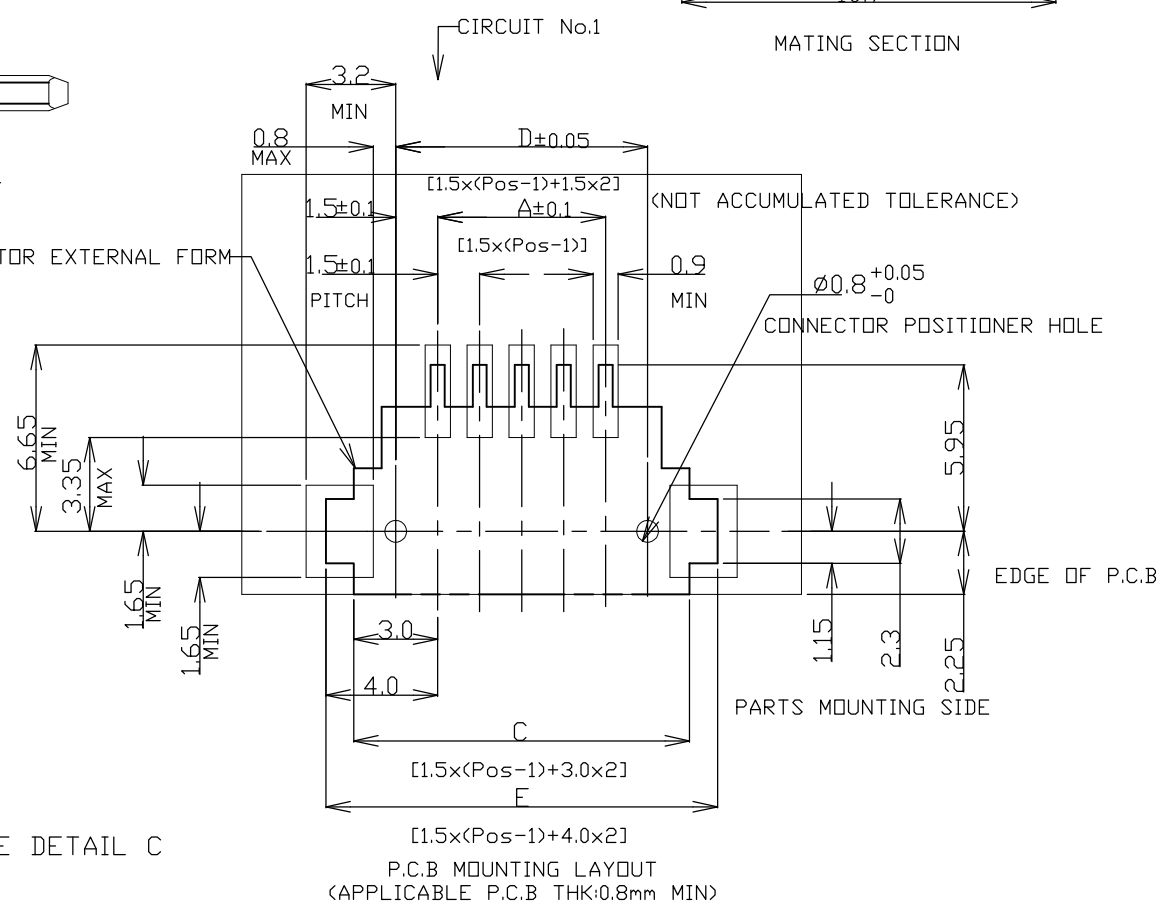
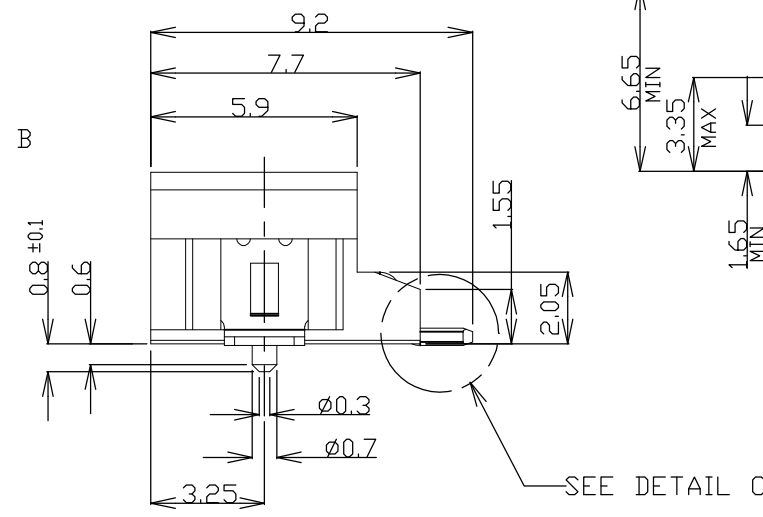
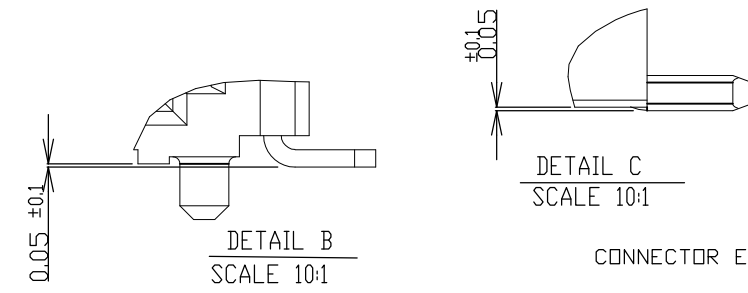
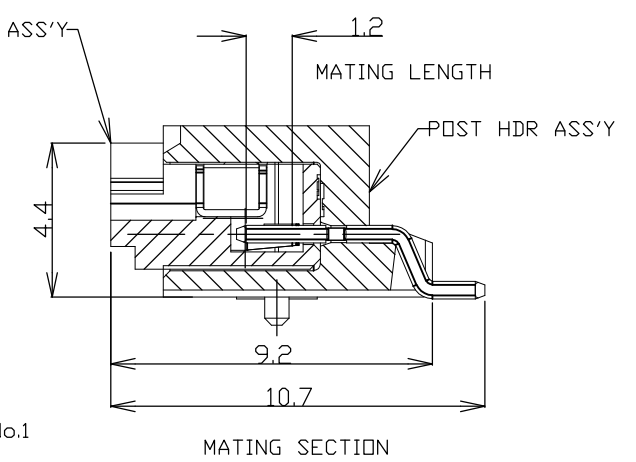
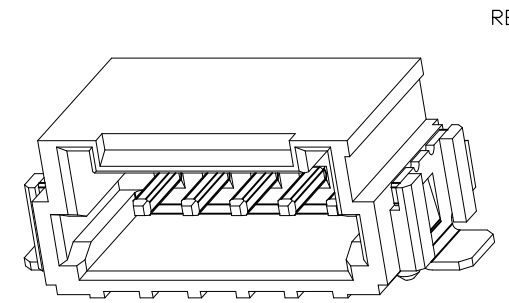
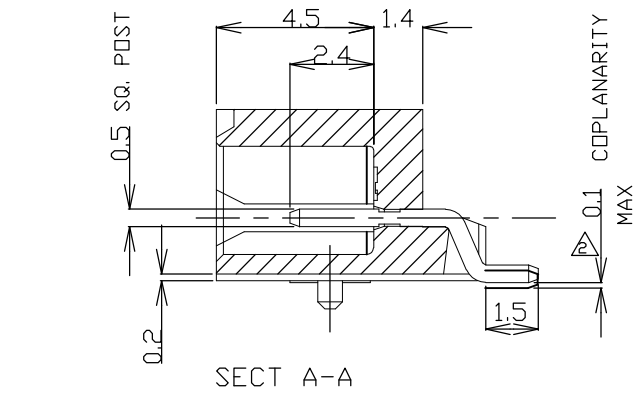
ALL RIGHTS RESERVED.

© COPYRIGHT - By -

LOC ES DIST 00

REVISIONS

P	LTR	DESCRIPTION	DATE	DWN	APVD
-	-	SEE SHEET 1	-	-	-



NOTES:
 1.MATERIAL:
 HOUSING:6T NYLON(HIGH HEAT-RESISTED NYLON)G.F.30%
 UL94V-0, COLOR: BEIGE OR BLACK
 POST:TIN BRASS WIRE
 TO BE MEASURED WITH CONNECTOR PLACED ON HORIZONTAL DATUM SURFACE,
 FLOAT OF SOLDER TINE AND SOLDER PEG 0.1mm MAX.

THIS DRAWING IS A CONTROLLED DOCUMENT.		DWN S.XU 31JAN03	STE TE Connectivity	
DIMENSIONS: mm		CHK S.YAO 31JAN03		
TOLERANCES UNLESS OTHERWISE SPECIFIED:		APVD T.SASAKI 31JAN03	NAME	
0 PLC ± -		PRODUCT SPEC 108-60018	AMP Mini CT Connector 1.5mm PITCH	
1 PLC ± -		APPLICATION SPEC 114-5223	SINGLE ROW POST HDR ASS'Y (H)	
2 PLC ± -		WEIGHT	SMT TYPE WITH BOSS, EMBOSS TAPE PACKAGED	
3 PLC ± -		CUSTOMER DRAWING	SIZE A3	CAGE CODE 00779
4 PLC ± -		SCALE NTS	DRAWING NO C-292227	RESTRICTED TO
ANGLES ± -		SHEET 3 OF 4	REV C1	
FINISH				

THIS DRAWING IS UNPUBLISHED. RELEASED FOR PUBLICATION
 © COPYRIGHT - By - ALL RIGHTS RESERVED.

LOC	DIST	REVISIONS					
		P	LTR	DESCRIPTION	DATE	DWN	APVD
ES	00		-	SEE SHEET 1	-	-	-

1.079	36.5	31.5	34.5	30.6	28.5	20	7-292227-0	2-292227-0
1.034	35.0	30.0	33.0	29.1	27.0	19	6-292227-9	1-292227-9
0.989	33.5	28.5	31.5	27.6	25.5	18	6-292227-8	1-292227-8
0.943	32.0	27.0	30.0	26.1	24.0	17	6-292227-7	1-292227-7
0.897	30.5	25.5	28.5	24.6	22.5	16	6-292227-6	1-292227-6
0.851	29.0	24.0	27.0	23.1	21.0	15	6-292227-5	1-292227-5
0.805	27.5	22.5	25.5	21.6	19.5	14	6-292227-4	1-292227-4
0.760	26.0	21.0	24.0	20.1	18.0	13	6-292227-3	1-292227-3
0.714	24.5	19.5	22.5	18.6	16.5	12	6-292227-2	1-292227-2
0.668	23.0	18.0	21.0	17.1	15.0	11	6-292227-1	1-292227-1
0.622	21.5	16.5	19.5	15.6	13.5	10	6-292227-0	1-292227-0
0.577	20.0	15.0	18.0	14.1	12.0	9	5-292227-9	292227-9
0.531	18.5	13.5	16.5	12.6	10.5	8	5-292227-8	292227-8
0.485	17.0	12.0	15.0	11.1	9.0	7	5-292227-7	292227-7
0.439	15.5	10.5	13.5	9.6	7.5	6	5-292227-6	292209-6
0.393	14.0	9.0	12.0	8.1	6.0	5	5-292227-5	292227-5
0.348	12.5	7.5	10.5	6.6	4.5	4	5-292227-4	292227-4
0.302	11.0	6.0	9.0	5.1	3.0	3	5-292227-3	292227-3
0.256	9.5	4.5	7.5	3.6	1.5	2	5-292227-2	292227-2
WEIGHT (g)	E	D	C	B	A	Pos.	BLACK	BEIGE (NAT)
	DIMENSIONS						P/N	

THIS DRAWING IS A CONTROLLED DOCUMENT.		DWN S.XU 31JAN03	STE TE Connectivity	
DIMENSIONS: mm		CHK S.YAO 31JAN03		
TOLERANCES UNLESS OTHERWISE SPECIFIED:		APVD T.SASAKI 31JAN03	NAME	
0 PLC ± -		PRODUCT SPEC	AMP Mini CT Connector 1.5mm PITCH	
1 PLC ± -		108-60018	SINGLE ROW POST HDR ASS'Y (H)	
2 PLC ± -		APPLICATION SPEC	SMT TYPE WITH BOSS, EMBOSS TAPE PACKAGED	
3 PLC ± -		114-5223	SIZE	RESTRICTED TO
4 PLC ± -		WEIGHT	A3 00779	
ANGLES ± -		CUSTOMER DRAWING	CAGE CODE	DRAWING NO
FINISH		SCALE	G-292227	REV
		NTS	4 OF 4	C1

Mouser Electronics

Authorized Distributor

Click to View Pricing, Inventory, Delivery & Lifecycle Information:

[TE Connectivity:](#)

[292227-7](#)