

# 600NG Series

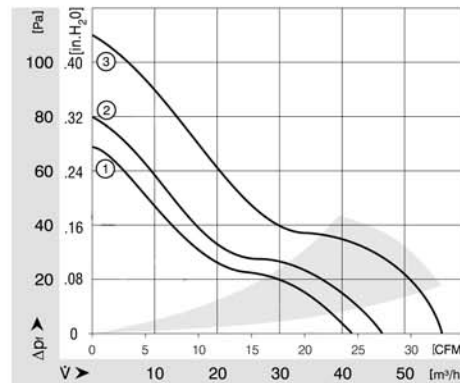
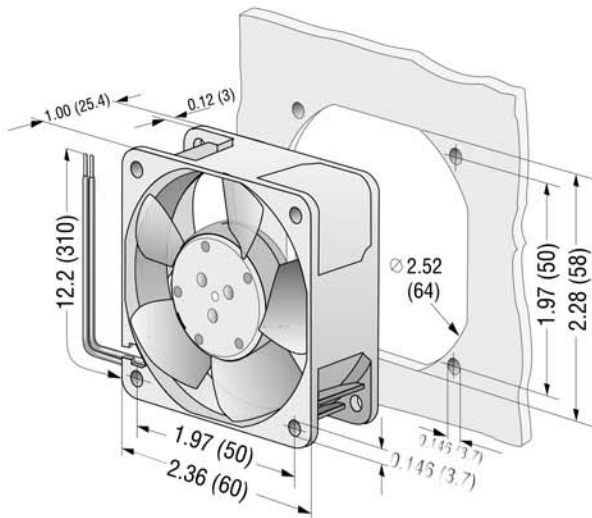
Tubeaxial

60x60x25mm



- DC fans with electronically commutated external rotor motor. Fully integrated commutation electronics.
- With electronic protection against reverse polarity, blocking and overloading.
- Mounting from either face using four 3.7 mm holes.
- Fan of fiberglass reinforced plastic. PBTP housing, PA impeller.
- Air exhaust over struts. Rotational direction CCW looking at rotor.
- Electrical connection via 2 leads AWG 22, TR 64. Stripped and tinned ends.
- UL, CSA, VDE approvals on some models, please contact application engineering.

Part Number	Curve	CFM @ 0	VDC	Volt. Range	Power (W)	dBA	Max Amb. Temp C	Bearing Type	Features	Wgt. (lbs)
612NGN	1	24.7	12	8 to 15	2.1	35	70	Sintec	Leads	0.19
612NGH	2	27.1	12	8 to 15	2.6	38	70	Sintec	Leads	0.19
612NGHH	3	33.0	12	8 to 13.2	3.8	43	70	Sintec	Leads	0.19
614NGN	1	24.7	24	18 to 28	2.1	35	70	Sintec	Leads	0.19
614NGH	2	27.1	24	18 to 26	2.6	38	70	Sintec	Leads	0.19
614NGHH	3	33.0	24	18 to 26	3.8	43	70	Sintec	Leads	0.19



# Mouser Electronics

Authorized Distributor

Click to View Pricing, Inventory, Delivery & Lifecycle Information:

[ebm-papst:](#)

[614NGHH](#) [612NGH](#) [612NGHH](#) [612NGN](#) [614NGH](#) [614NGN](#) [612N/2GH](#) [614N/2GHH](#) [614N/2GN](#) [612N/2GN](#)  
[612NGM](#) [612N/2GHH](#)