



\* Pb Free Part



Customer Name	Standard	TAIYO YUDEN Mobile Technology Co., Ltd.	
System	Band 3 Rx	Date	Nov. 29, 2018
Part Number	F6QA1G842M2AN	Version 4.1dA	Final

## Electrical Specification

**Table-1**

Item	Condition (MHz)	Specification			Unit	Remarks	
		Min.	Typ.	Max.			
Insertion loss(*1)	1805 - 1880	-	2.0	4.0	dB		
Ripple	1805 - 1880	-	1.3	3.3	dB		
VSWR	Input	1805 - 1880	-	1.9	2.3	-	
	Output	1805 - 1880	-	1.8	2.2	-	
Absolute attenuation	DC - 960	34	37	-	dB		
	1558 - 1608	35	41	-	dB		
	1710 - 1785	34	38	-	dB		
	1920 - 2400	25	35	-	dB		
	2400 - 2500	33	44	-	dB		
	2500 - 3610	25	36	-	dB		
	3610 - 3760	25	36	-	dB		
	3760 - 5415	20	29	-	dB		
	5415 - 5640	20	29	-	dB		
	5640 - 7220	18	24	-	dB		
	7220 - 7520	16	24	-	dB		
7520 - 8000	14	22	-	dB			
Terminating Impedance	Input port	50 // 33 nH			$\Omega$		
	Output port	50 // 12 nH			$\Omega$		
Operating Temperature	-20 to +85			$^{\circ}\text{C}$			
Maximum DC in all ports	-	-	5	VDC	Device only		
DC impedance to ground	100	-	-	M $\Omega$	Device only		
Device size (L typ. xW typ. xH max.)	1.1 x 0.9 x 0.5			mm			

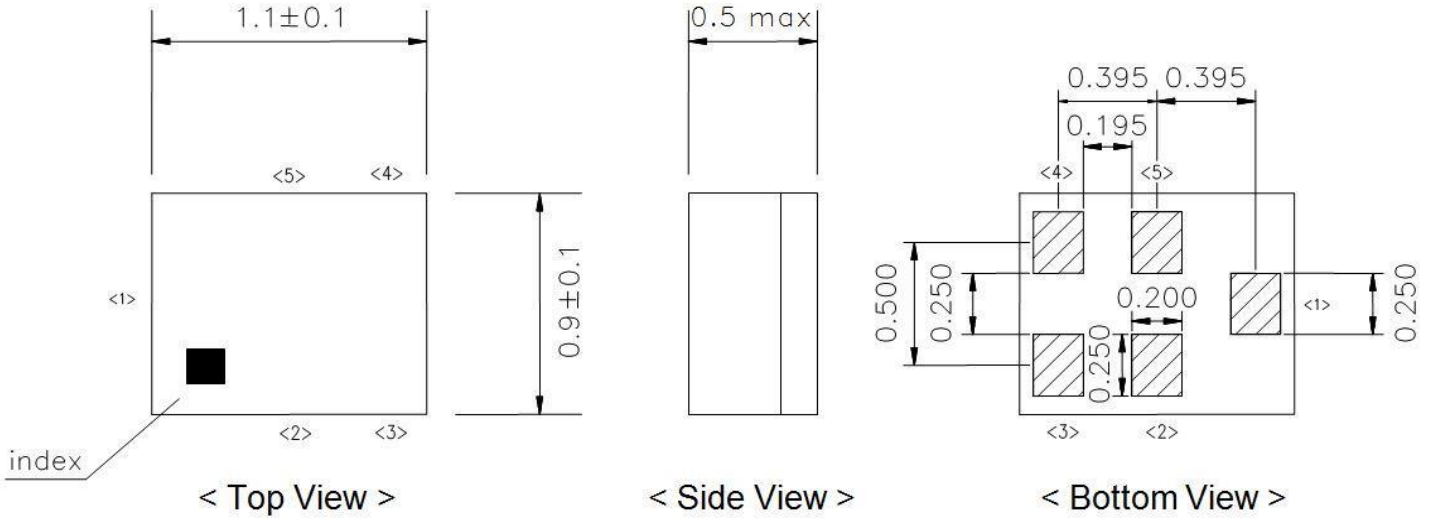
(\*1) Specification of insertion loss excludes loss that comes from the test board.



\* Pb Free Part

Customer Name	Standard	TAIYO YUDEN Mobile Technology Co., Ltd.	
System	Band 3 Rx	Date	Nov. 29, 2018
Part Number	F6QA1G842M2AN	Version 4.1dA	Final

### Dimensions



Unit: mm

**Figure-1**

### Pin Configuration

**Table-2**

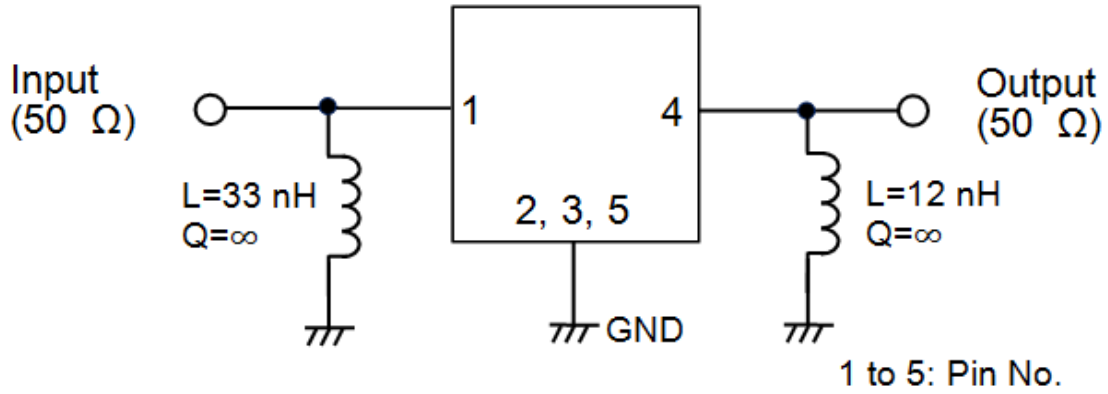
Pin No.	Symbol	Function
1	IN	Input
2	GND	Ground
3	GND	Ground
4	OUT	Output
5	GND	Ground



\* Pb Free Part

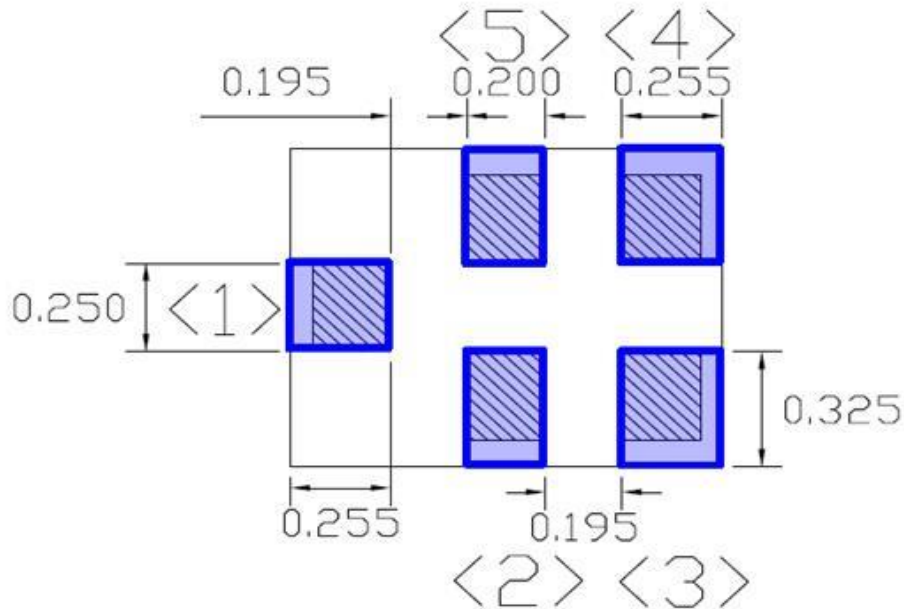
Customer Name	Standard	TAIYO YUDEN Mobile Technology Co., Ltd.	
System	Band 3 Rx	Date	Nov. 29, 2018
Part Number	F6QA1G842M2AN	Version 4.1dA	Final

**Evaluation Circuit**



**Figure-2**

**Recommended Foot Print Pattern**



**Figure-3**



\* Pb Free Part

Customer Name	Standard	TAIYO YUDEN Mobile Technology Co., Ltd.	
System	Band 3 Rx	Date	Nov. 29, 2018
Part Number	F6QA1G842M2AN	Version 4.1dA	Final

## Electrical Characteristics

### Passband

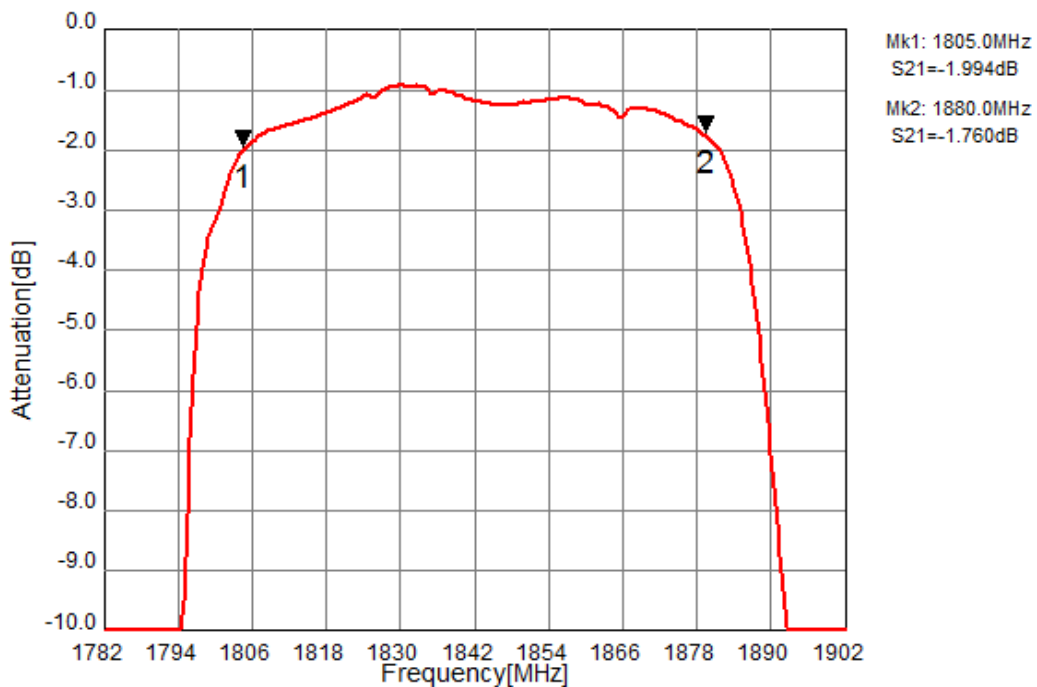
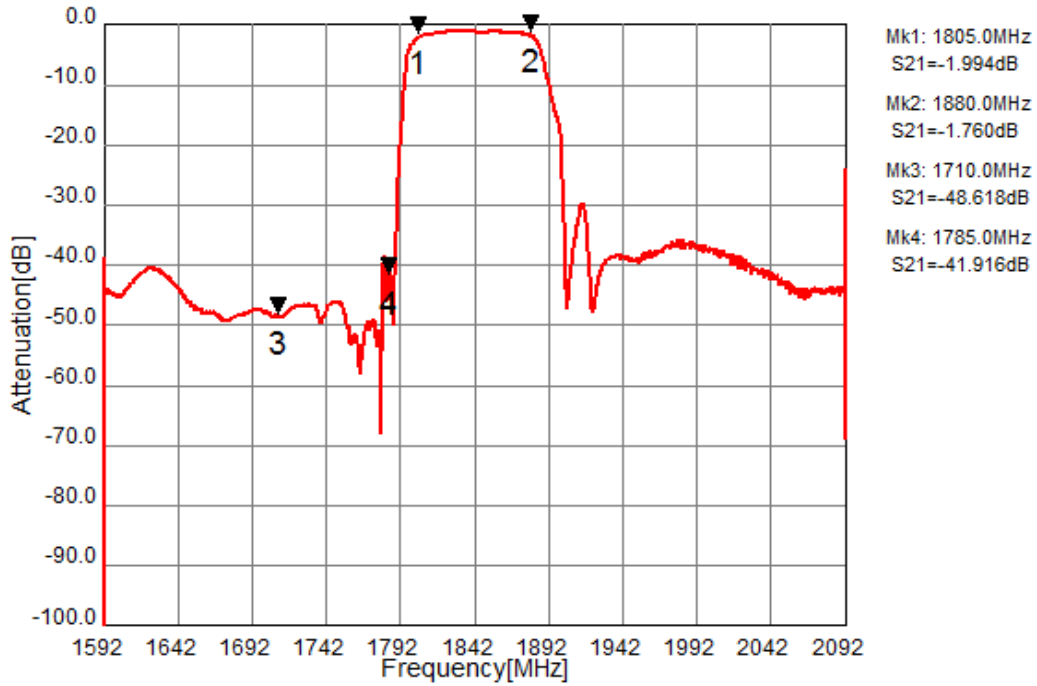


Figure-4-1



\* Pb Free Part

Customer Name	Standard	TAIYO YUDEN Mobile Technology Co., Ltd.	
System	Band 3 Rx	Date	Nov. 29, 2018
Part Number	F6QA1G842M2AN	Version 4.1dA	Final

### Input Port

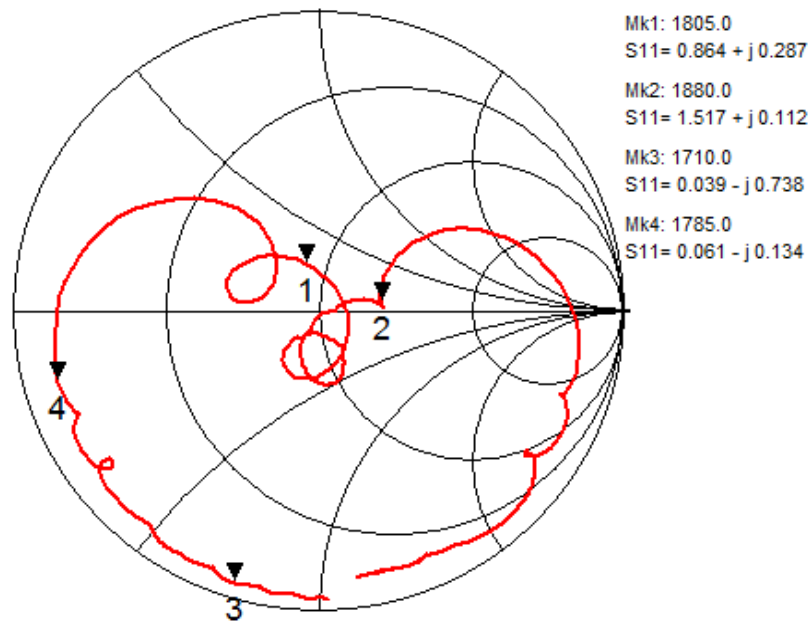
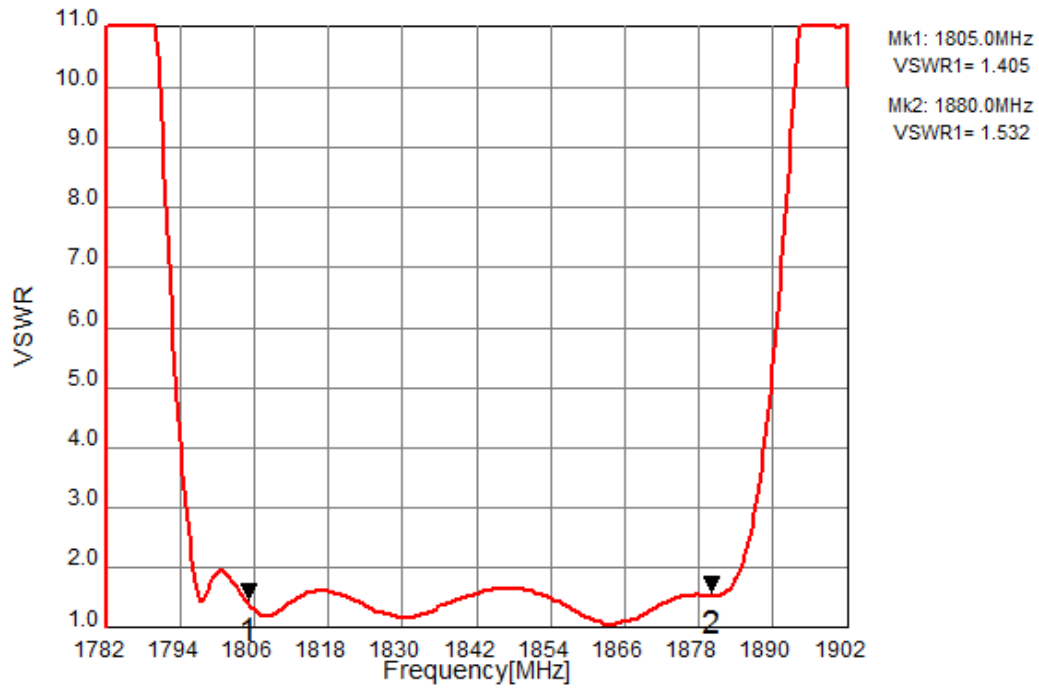


Figure-4-2



\* Pb Free Part

Customer Name	Standard	TAIYO YUDEN Mobile Technology Co., Ltd.	
System	Band 3 Rx	Date	Nov. 29, 2018
Part Number	F6QA1G842M2AN	Version 4.1dA	Final

### Output Port

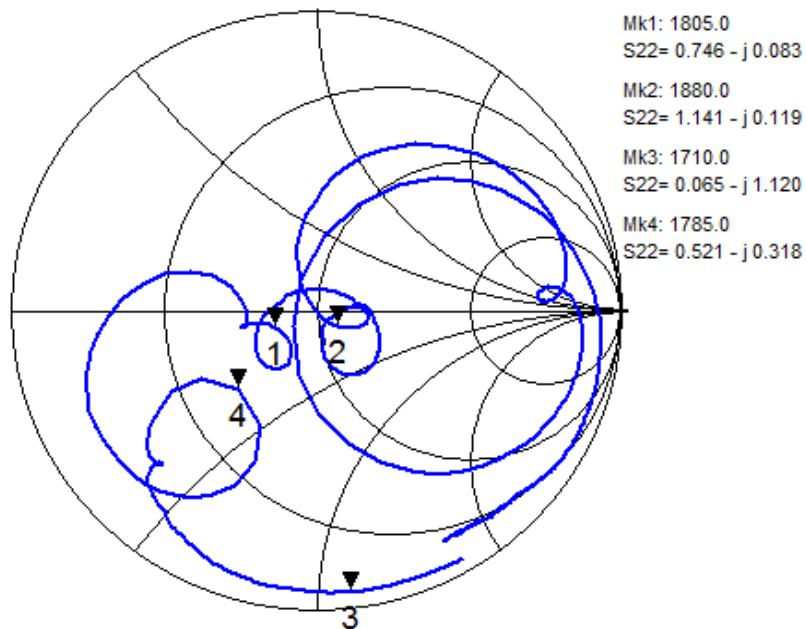
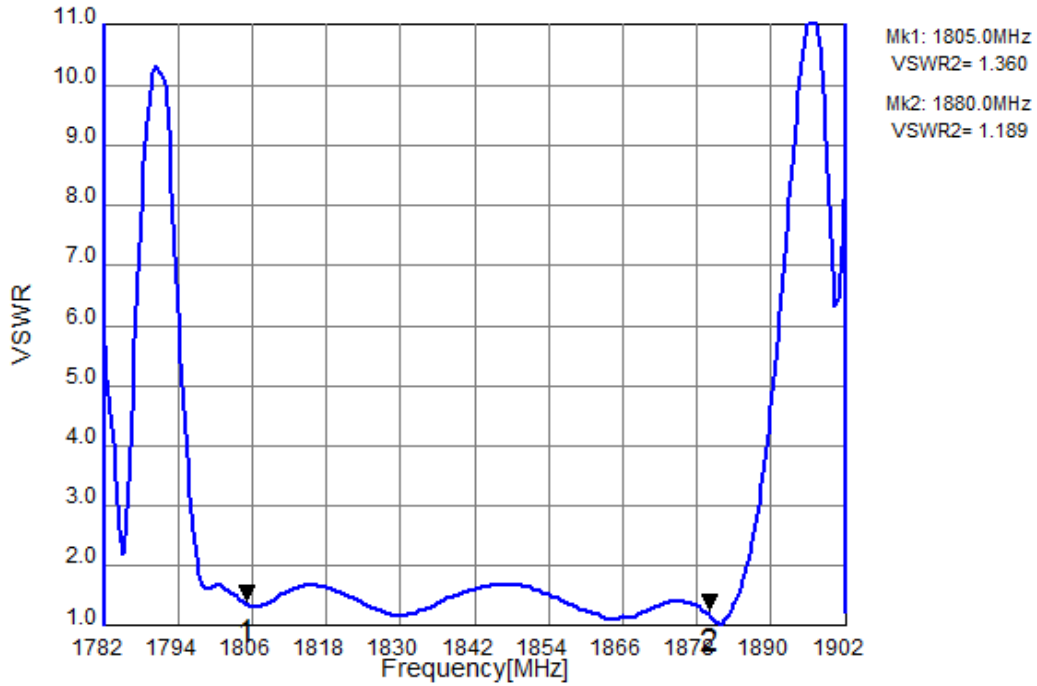


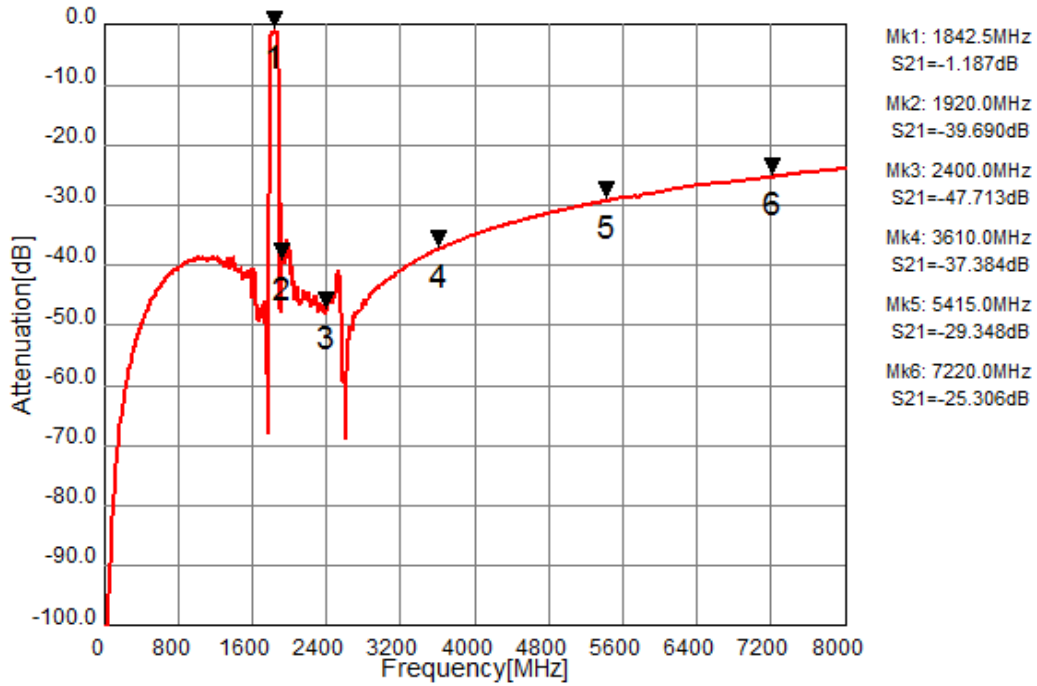
Figure-4-3



\* Pb Free Part

Customer Name	Standard	TAIYO YUDEN Mobile Technology Co., Ltd.	
System	Band 3 Rx	Date	Nov. 29, 2018
Part Number	F6QA1G842M2AN	Version 4.1dA	Final

**Wide span**



**Figure-4-4**



\* Pb Free Part



Customer Name	Standard	TAIYO YUDEN Mobile Technology Co., Ltd.	
System	Band 3 Rx	Date	Nov. 29, 2018
Part Number	F6QA1G842M2AN	Version 4.1dA	Final

### Ordering Code

Standard Ordering Code	Packing	Reel size	Status
F6QA1G842M2AN-X	Tape & Reel	10,000 pcs.	MP

Option Ordering Code	Packing	Reel size	Status
F6QA1G842M2AN-J	Tape & Reel	5,000 pcs.	MP
F6QA1G842M2AN-JA	Tape & Reel	less than 5,000 pcs.	MP
F6QA1G842M2AN-XA	Tape & Reel	less than 10,000 pcs.	MP
F6QA1G842M2AN-Y	Tape & Reel	15,000 pcs.	MP
F6QA1G842M2AN-YA	Tape & Reel	less than 15,000 pcs.	MP
F6QA1G842M2AN-Q	Bulk	few pcs.	MP

\*Minimum order quantity (MOQ) is assigned for each inquiry, Please contact to Sales Representatives.

\*MP : Mass Production



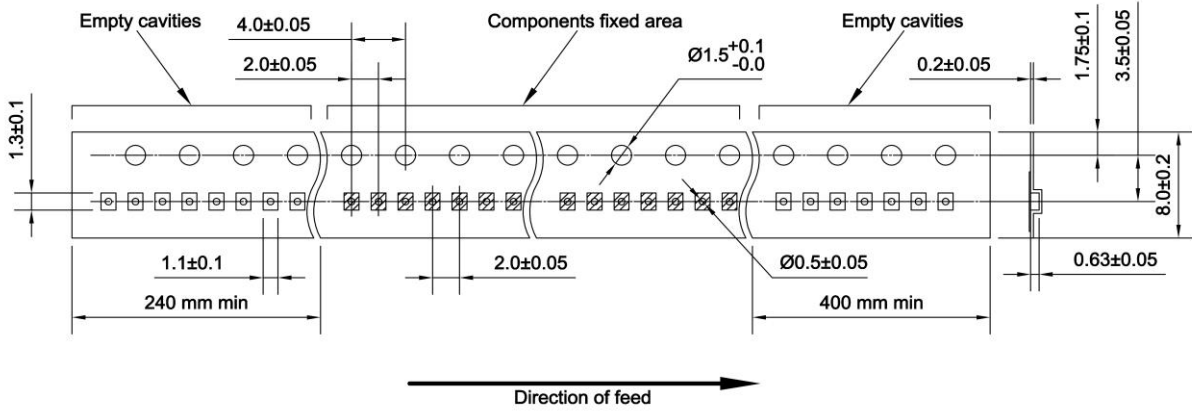


\* Pb Free Part

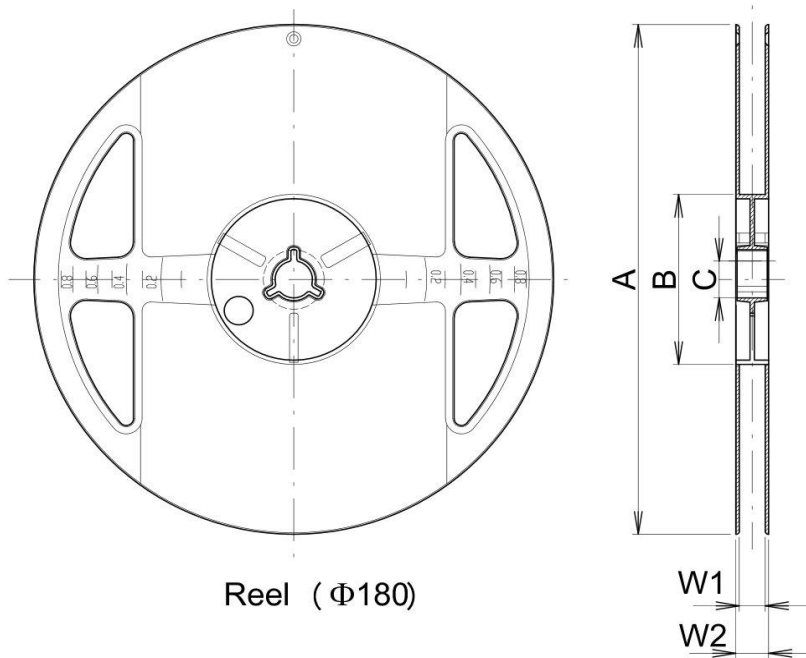
Customer Name	Standard	TAIYO YUDEN Mobile Technology Co., Ltd.	
System	Band 3 Rx	Date	Nov. 29, 2018
Part Number	F6QA1G842M2AN	Version 4.1dA	Final

## Tape and Reel Information

### Dimensions of Tape (Standard)



### Dimensions of Reel



Order	Code	Quantity (pcs./reel)	A	B	C	W1	W2	Tape Pitch
Standard	X	10,000	φ180	φ60	φ13 ±0.2	9 +1.0/-0.0	11.4 ±1.0	2.0 ±0.05
Option	J	5,000	φ180	φ60	φ13 ±0.2	9 +1.0/-0.0	11.4 ±1.0	4.0 ±0.1
Option	Y	15,000	φ330	φ100	φ13 ±0.2	9.4 ±1.0	13.4 ±1.0	4.0 ±0.1

Unit:mm



\* Pb Free Part



MSL1

Customer Name	Standard	TAIYO YUDEN Mobile Technology Co., Ltd.	
System	Band 3 Rx	Date	Nov. 29, 2018
Part Number	F6QA1G842M2AN	Version 4.1dA	Final

### Notice

- Please conduct validation and verification of our products in actual condition of mounting and operating environment before using our products.
- The products listed in this specification are intended for use in general electronic equipment (e.g., AV equipment, OA equipment, home electric appliances, office equipment, information and communication equipment including, without limitation, mobile phone, and PC). Please be sure to contact TAIYO YUDEN for further information before using the products for any equipment which may directly cause loss of human life or bodily injury (e.g., transportation equipment including, without limitation, automotive powertrain control system, train control system, and ship control system, traffic signal equipment, disaster prevention equipment, medical equipment classified as Class I, II or III by IMDRF, highly public information network equipment including, without limitation, telephone exchange, and base station).  
Please do not incorporate our products into any equipment requiring high levels of safety and/or reliability (e.g., aerospace equipment, aviation equipment, medical equipment classified as Class IV by IMDRF, nuclear control equipment, undersea equipment, military equipment).  
When our products are used even for high safety and/or reliability-required devices or circuits of general electronic equipment, it is strongly recommended to perform a thorough safety evaluation prior to use of our products and to install a protection circuit as necessary.  
Please note that unless you obtain prior written consent of TAIYO YUDEN, TAIYO YUDEN shall not be in any way responsible for any damages incurred by you or third parties arising from use of the products listed in this specification for any equipment requiring inquiry to TAIYO YUDEN or prohibited for use by TAIYO YUDEN as described above.
- Information contained in this specification is intended to convey examples of typical performances and/or applications of our products and is not intended to make any warranty with respect to the intellectual property rights or any other related rights of TAIYO YUDEN or any third parties nor grant any license under such rights.
- Please note that the scope of warranty for our products is limited to the delivered our products themselves and TAIYO YUDEN shall not be in any way responsible for any damages resulting from a fault or defect in our products. Notwithstanding the foregoing, if there is a written agreement (e.g., supply and purchase agreement, quality assurance agreement) signed by TAIYO YUDEN and your company, TAIYO YUDEN will warrant our products in accordance with such agreement.
- The contents of this specification are applicable to our products which are purchased from our sales offices or authorized distributors (hereinafter "TAIYO YUDEN's official sales channel"). Please note that the contents of this specification are not applicable to our products purchased from any seller other than TAIYO YUDEN's official sales channel.
- Caution for Export  
Some of our products listed in this specification may require specific procedures for export according to "U.S. Export Administration Regulations", "Foreign Exchange and Foreign Trade Control Law" of Japan, and other applicable regulations. Should you have any questions on this matter, please contact our sales staff.