

NU40A25TR-1

Product Image



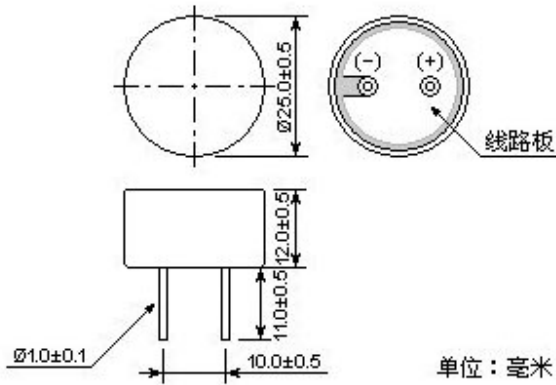
Features

- Compact and light weight.
- High sensitivity and sound pressure.
- High reliability.
- Low cost.
- Low power consumption.

Applications

- Back sonar of automobiles,
- Parking meters,
- Water level meters
- Intrusion Alarms
- Remote control devices

Dimensions



Specification

Part number: NU40A25TR-1
Construction: Water proof type
Using method: Dual use
Center frequency: 40.0 ± 1.0 KHz
Sound pressure level: 120dB min.
Sensitivity: -90dB min.
Capacitance: $2200\text{Pf} \pm 20\%$
Ringing: 1.7ms max.
Maximum input voltage: 160Vp-p
Directivity deg: $30^\circ \pm 10^\circ$ (-6dB)
Typical sensing range: 0.2~8m
Resolution: 10mm
Operating temperature: $-40^\circ\text{C} \sim +70^\circ\text{C}$
Storage Temperature: $-40^\circ\text{C} \sim +85^\circ\text{C}$
Housing Material: Aluminum

Precautions

- Sensors are precision instrument, please don't scratch the surface.
- Ultrasonic sensors have potential direction; please pay attention to the installation location.
- This sensor is designed for use in air. Do not use this sensor in fluid.
- To prevent sensor malfunctions, operational failure or any deterioration of its characteristics, do not use this sensor in the following, or similar conditions.
 - A. In strong shock or vibration.
 - B. In high temperature and humidity for a long time.
 - C. In corrosive gases or sea breeze.
 - D. In an atmosphere of organic solvents.
 - E. In a vacuum zone or hazardous areas.
 - F. In dirty and dusty environments that may contaminate the sensor front.

