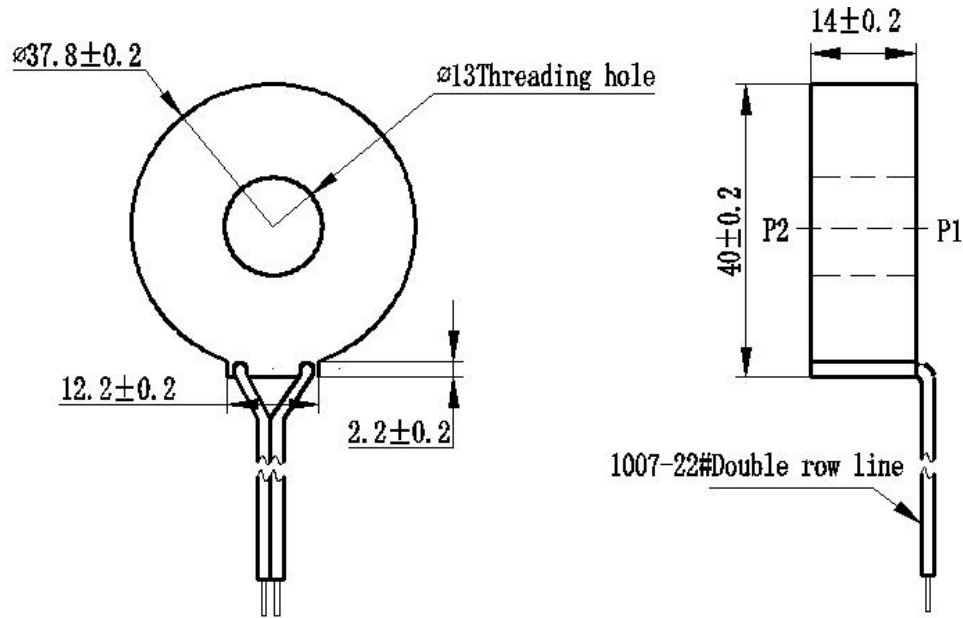


ZEMCT303B Current Transformer

Mainly for motor soft-start current sampling

Structural parameters:



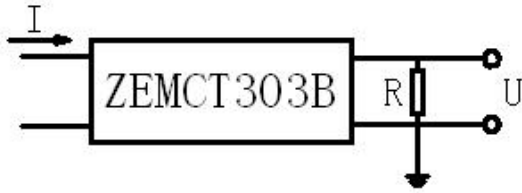
Front View

Lateral view

The main technical parameters:

Model	ZEMCT303B
input current	0~800A (sampling resistor 5Ω)
Rated output current	2.5mA at input 5A
Turns ratio	2000:1
phase angle error	≤200' (input 10A, sampling resistor 5Ω)
linearity	≤3%(5%~120%)
Permissible error	-3% ≤ f ≤ 0 (input 10A, sampling resistor 5Ω)
Output leads	Blue, black (same polarity: P1 and blue wire)
application	motor soft-start current sampling
Encapsulation	Epoxy
installation	Straight-through type
operating temperature	-40°C~+85°C

Direction for use:



$$U = \frac{I}{2000} \cdot R$$

I: input current

R: sampling resistor

U: sampling volatge

1. ZEMCT303B used for protection. Typical usage as shown.