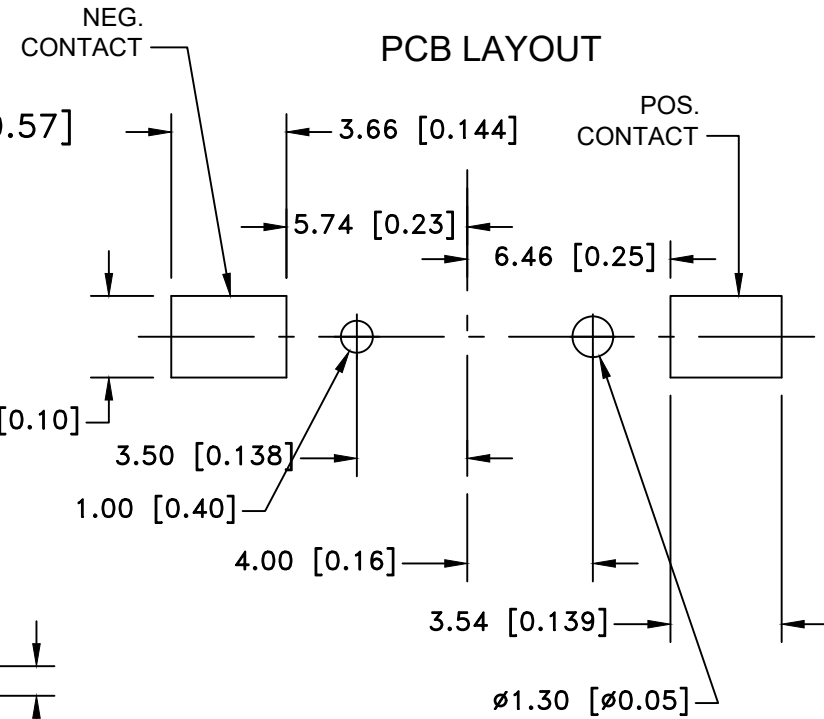
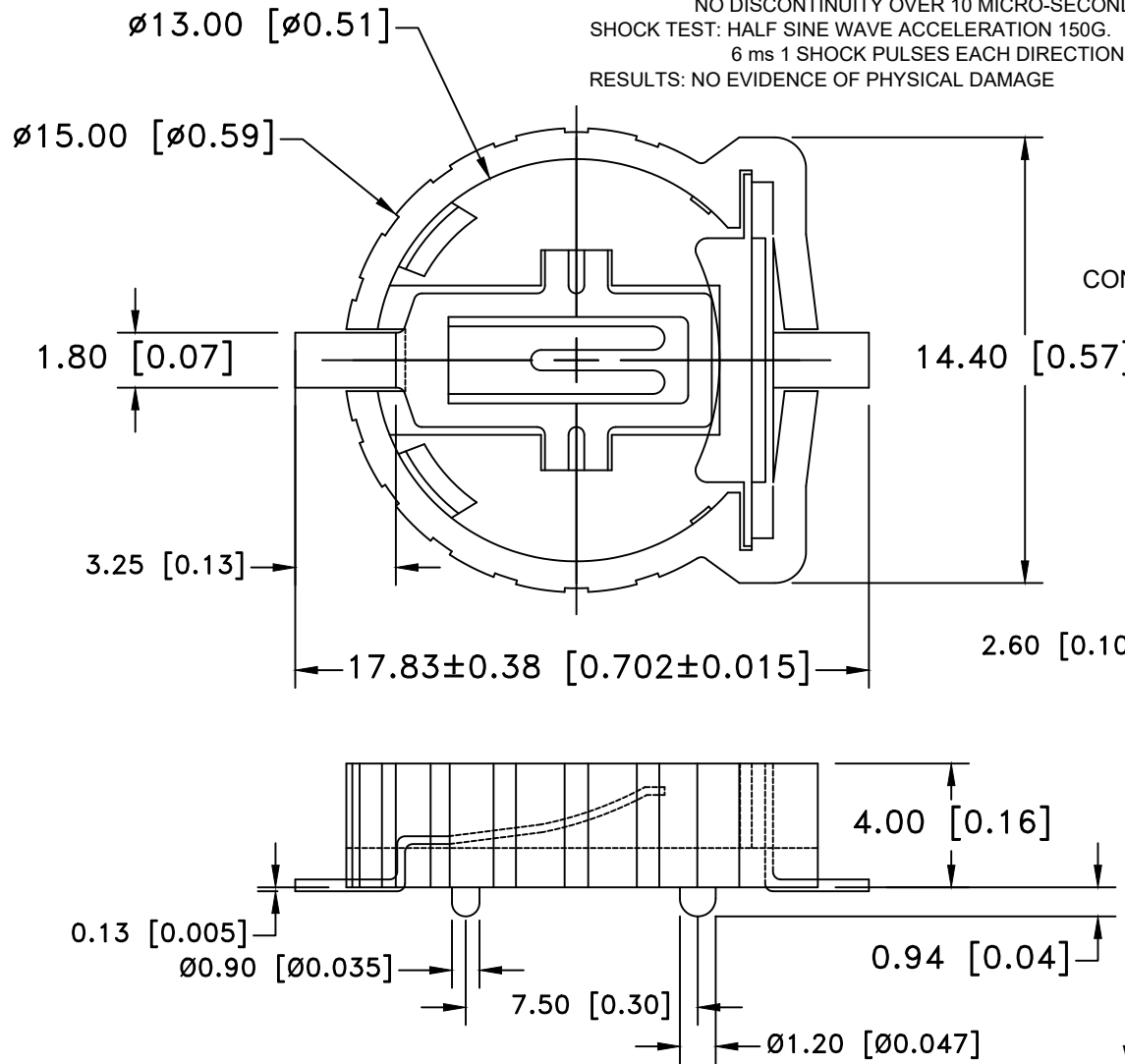


VIBRATION TEST: 10-50-10HZ SWEEPED IN 60 SECONDS
 X,Y,Z DIRECTION: 1 HOUR EACH DIRECTION
 RESULTS: NO DISLODGEEMENT OF THE CELL OR DAMAGE
 NO DISCONTINUITY OVER 10 MICRO-SECONDS
 SHOCK TEST: HALF SINE WAVE ACCELERATION 150G.
 6 ms 1 SHOCK PULSES EACH DIRECTION PER AXIS
 RESULTS: NO EVIDENCE OF PHYSICAL DAMAGE


Date	SYM	REVISION RECORD	AUTH	DR.	CK.
11/07/14	F	UPDATED TO ROHS 2 COMPLIANT	T.B.	B.S.	
12/02/16	G	REVISED POSITIVE CONTACT DIM. 17.83 WAS 18.54	T.B.	B.S.	
08/14/18	H	ADDED TEST RESULTS	T.B.	B.S.	



WEIGHT: 0.86grams

NOTES:

- MATERIAL:
 HOUSING: GLASS FILLED PPS, UL94V-0, BROWN, UL FILE#E109088
 TERMINAL: 0.20mm [0.008] PHOSPHOR BRONZE, GOLD PLATED OVER NICKEL
- INSULATION RESISTANCE: 1000MΩ MIN
- CONTACT RESISTANCE: 20MΩ MAX.
- DIELECTRIC WITHSTANDING: AC 500V
- OPERATING TEMPERATURE: -40°C TO +85°C
- ROHS 2 COMPLIANT

Tolerance (Except as noted)	 Memory Protection Devices, Inc 200 Broad Hollow Road, Farmingdale, New York 11735		
decimal ±.25 (.010)		Scale	Drawn By B.S.
Fractional ± .8 (.030)	Title COIN CELL HOLDER FOR CR1220		
Angular + 2° - 1°	Date 08/14/18	Drawing Number BC501SM	
		Approved By T.B.	