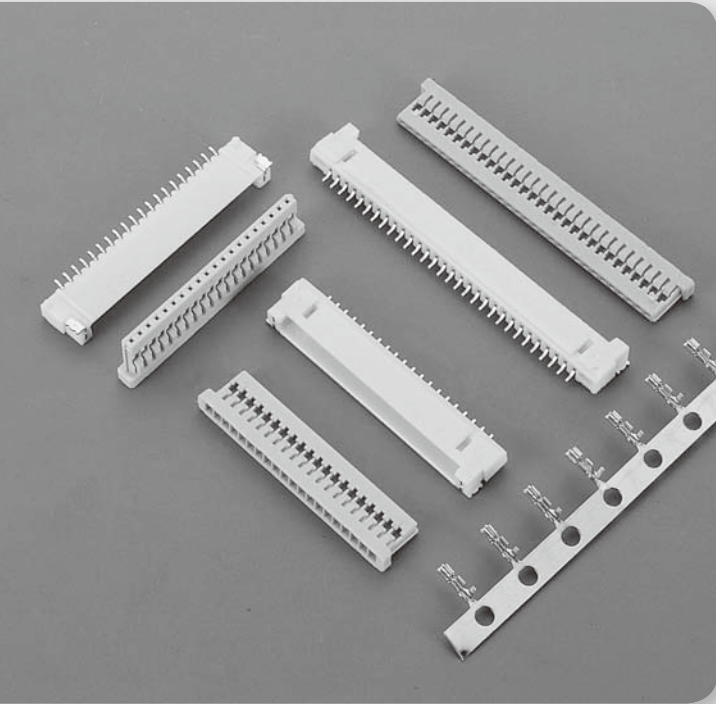


1.25mm (.049") Crimp Style Connectors<SMT>



Specifications

- Voltage Rating : 100V AC/DC
- Current Rating : 1A AC/DC
- Withstanding Voltage : 500V AC/minute
- Insulation Resistance : 500MΩ min.
- Temperature Range : -25°C to + 85°C
- Contact Resistance : 20mΩ max.

Features:

■ HOUSING

Part No. : JS-1225

Poles : 2 - 30

Material : Nylon 66 UL94V-0

Q'ty : 1,000 pcs/Bag

■ WAFER

Part No. : JS-1235R

Poles : 2 - 30(Right Angle)

Material : Contact : Phos. Bronze, Tin Plated

Base : Nylon PA46 UL94V-0

Q'ty : 1,500 pcs/Tape & Reel

■ TERMINAL

Part No. : JS-1225-T, JS-1225-T(G)

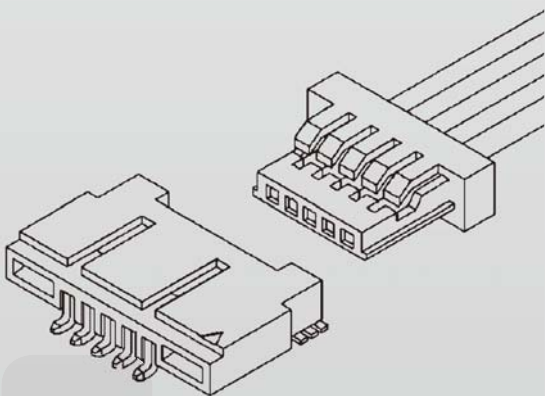
Applicable Wires : AWG# 28-32

Material : Phos. Bronze

Finish : Tin Plated, . Gold Plated

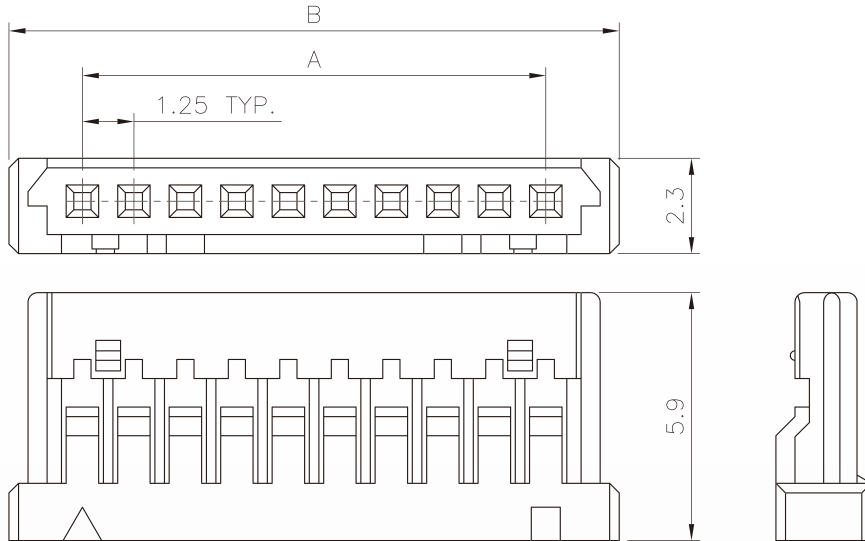
Thickness : 0.15mm

Q'ty : 15,000 pcs/Reel



1.25mm (.049") Crimp Style Connectors<SMT>

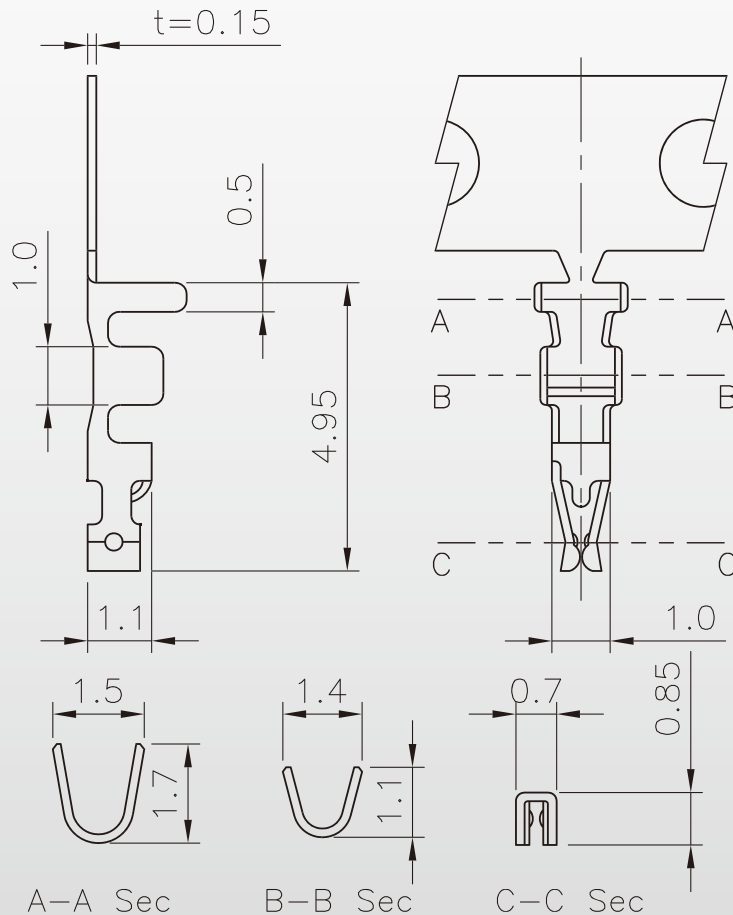
Housing JS-1225



Poles	Part No.	Dimensions (mm)	
		A	B
2	JS-1225-02	1.00	5.00
3	JS-1225-03	2.00	6.00
4	JS-1225-04	3.00	7.00
5	JS-1225-05	4.00	8.00
6	JS-1225-06	5.00	9.00
7	JS-1225-07	6.00	10.00
8	JS-1225-08	7.00	11.00

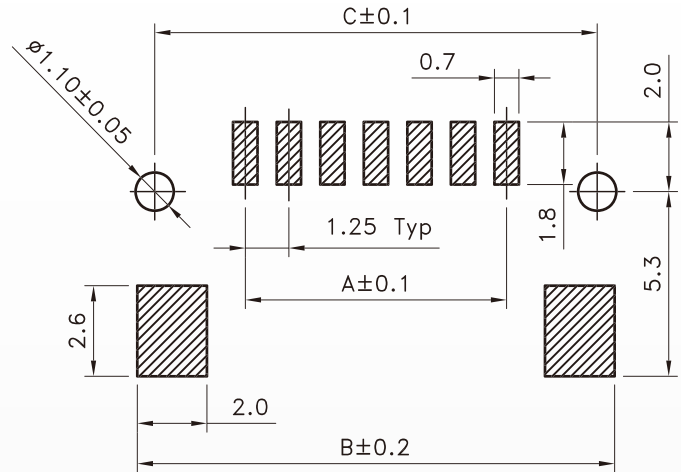
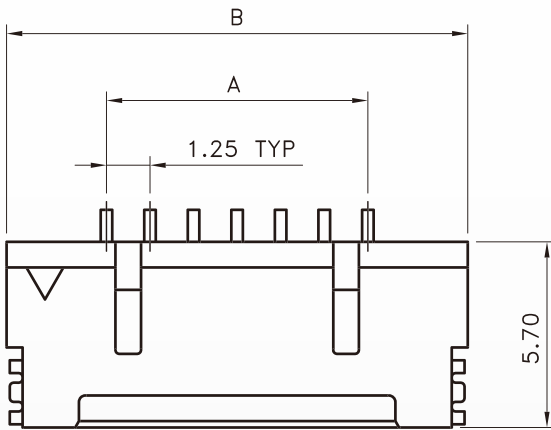
Poles	Part No.	Dimensions (mm)	
		A	B
9	JS-1225-09	8.00	12.00
10	JS-1225-10	9.00	13.00
12	JS-1225-12	10.00	14.00
20	JS-1225-20	11.00	15.00
25	JS-1225-25	12.00	16.00
30	JS-1225-30	13.00	17.00

Terminal JS-1225-T

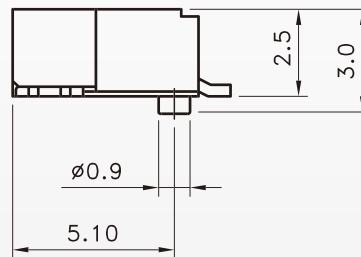
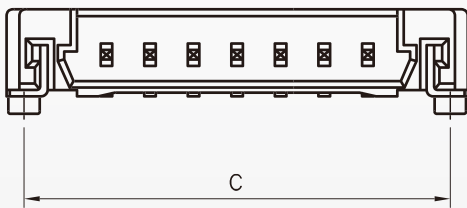


1.25mm (.049") Crimp Style Connectors<SMT>

Wafer - Right Angle JS-1235R



Recommended PCB Layout



Poles	Part No.	Dimensions (mm)		
		A	B	C
2	JS-1235R-02	1.25	7.45	6.45
3	JS-1235R-03	2.50	8.70	7.70
4	JS-1235R-04	3.75	9.95	8.95
5	JS-1235R-05	5.00	11.20	10.20
6	JS-1235R-06	6.25	12.45	11.45
7	JS-1235R-07	7.50	13.70	12.70
8	JS-1235R-08	8.75	14.95	13.95
9	JS-1235R-09	10.00	16.20	15.20
10	JS-1235R-10	11.25	17.45	16.45
12	JS-1235R-12	13.75	19.95	18.95
15	JS-1235R-15	17.50	23.70	22.70
20	JS-1235R-20	23.75	29.95	28.95
25	JS-1235R-25	30.00	36.20	35.20
30	JS-1235R-30	36.25	42.45	41.45