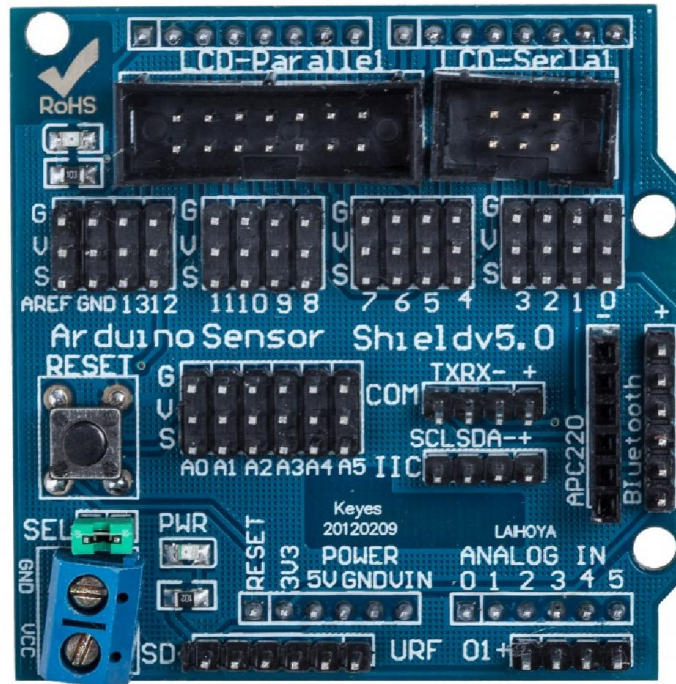


# Arduino Uno Sensor Shield

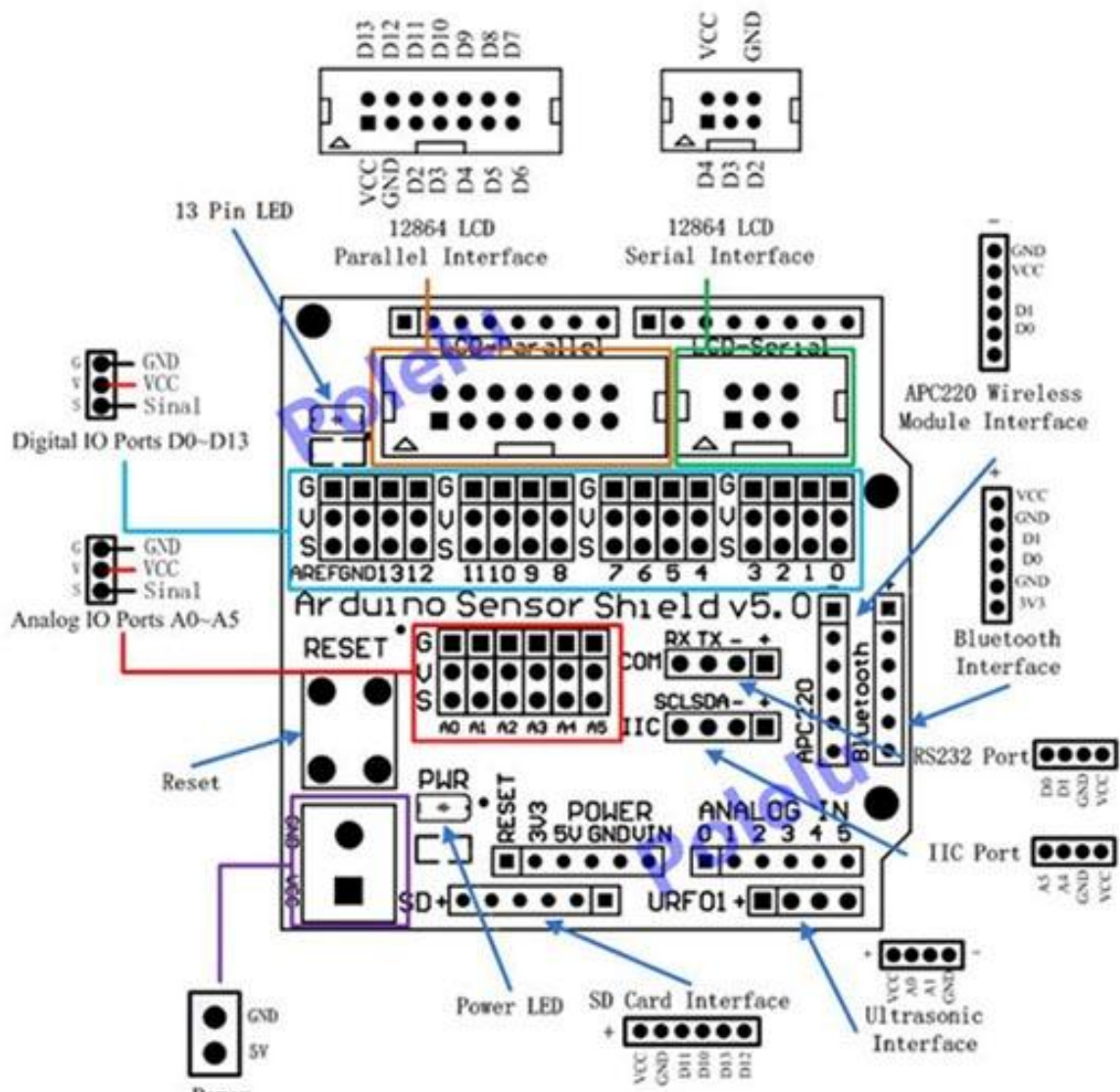


## Features:

- Digital IO Ports D0-D13
- Analog IO Ports A0-A5
- Supports I2C interface
- Supports bluetooth module communication interface
- Supports SD card module communication interface
- Supports APC220 wireless RF modules communication interface
- Supports RB URF V1.1 ultrasonic sensors interface
- Supports 12864 LCD serial and parallel interface
- Supports 32-channel servo controller interfaces
- Reset button
- Power LED indicator
- Bolt holes for easy installation

Size:

2.25" x 2.25" x 0.75"



Arduino Sensor Shield v5.0 Functional Diagram