

# LM340, A Series

## Three-Terminal Positive Fixed Voltage Regulators

This family of fixed voltage regulators are monolithic integrated circuits capable of driving loads in excess of 1.0 A. These three-terminal regulators employ internal current limiting, thermal shutdown, and safe-area compensation. Devices are available with improved specifications, including a 2% output voltage tolerance, on A-suffix 5.0, 12 and 15 V device types.

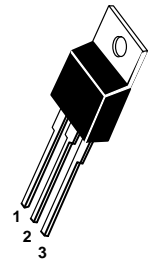
Although designed primarily as a fixed voltage regulator, these devices can be used with external components to obtain adjustable voltages and currents. This series of devices can be used with a series-pass transistor to boost output current capability at the nominal output voltage.

- Output Current in Excess of 1.0 A
- No External Components Required
- Output Voltage Offered in 2% and 4% Tolerance\*
- Internal Thermal Overload Protection
- Internal Short Circuit Current Limiting
- Output Transistor Safe-Area Compensation

### THREE-TERMINAL POSITIVE FIXED VOLTAGE REGULATORS

#### SEMICONDUCTOR TECHNICAL DATA

**T SUFFIX**  
PLASTIC PACKAGE  
CASE 221A



Pin 1. Input  
2. Ground  
3. Output

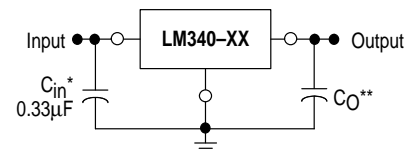
Heatsink surface is connected to Pin 2.

#### ORDERING INFORMATION

Device	Output Voltage and Tolerance	Operating Temperature Range	Package
LM340T-5.0	5.0 V $\pm$ 4%	T <sub>J</sub> = 0° to +125°C	Plastic Power
LM340AT-5.0	5.0 V $\pm$ 2%		
LM340T-6.0	6.0 V $\pm$ 4%		
LM340T-8.0	8.0 V $\pm$ 4%		
LM340T-12	12 V $\pm$ 4%		
LM340AT-12	12 V $\pm$ 2%		
LM340T-15	15 V $\pm$ 4%		
LM340AT-15	15 V $\pm$ 2%		
LM340T-18	18 V $\pm$ 4%		
LM340T-24	24 V $\pm$ 4%		

\* 2% regulators are available in 5, 12 and 15 V devices.

#### Simplified Application



A common ground is required between the input and the output voltages. The input voltage must remain typically 1.7 V above the output voltage even during the low point on the input ripple voltage.

XX these two digits of the type number indicate voltage.

\* C<sub>in</sub> is required if regulator is located an appreciable distance from power supply filter.

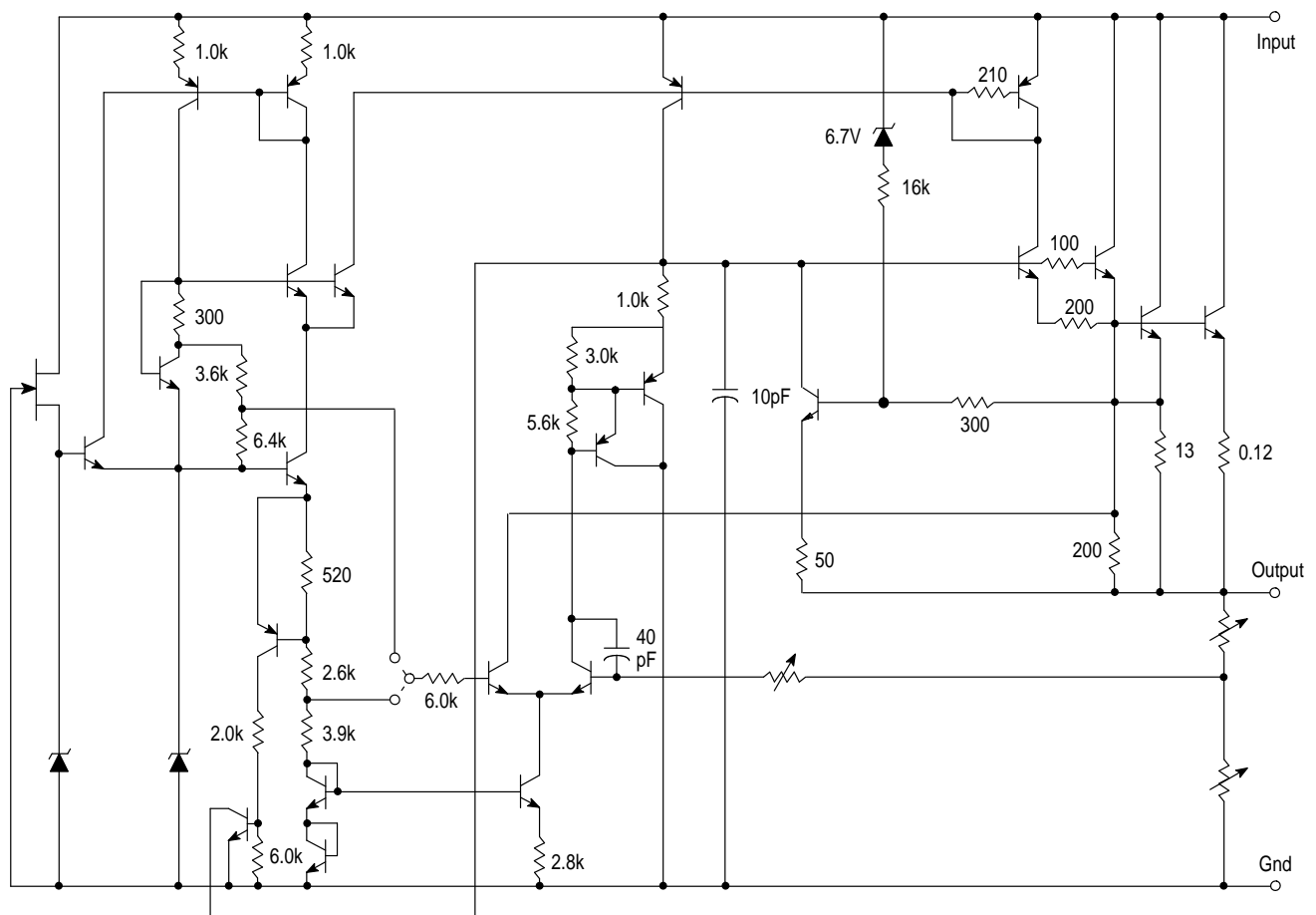
\*\* C<sub>O</sub> is not needed for stability; however, it does improve transient response. If needed, use a 0.1 µF ceramic disc.

# LM340, A Series

**MAXIMUM RATINGS** ( $T_A = +25^\circ\text{C}$  unless otherwise noted.)

Rating	Symbol	Value	Unit
Input Voltage (5.0 V – 18 V) (24 V)	$V_{in}$	35 40	Vdc
Power Dissipation and Thermal Characteristics Plastic Package $T_A = +25^\circ\text{C}$ Derate above $T_A = +25^\circ\text{C}$ Thermal Resistance, Junction-to-Air	$P_D$ $1/\theta_{JA}$ $\theta_{JA}$	Internally Limited 15.4 65	W mW/ $^\circ\text{C}$ $^\circ\text{C}/\text{W}$
$T_C = +25^\circ\text{C}$ Derate above $T_C = +75^\circ\text{C}$ (See Figure 1) Thermal Resistance, Junction-to-Case	$P_D$ $1/\theta_{JA}$ $\theta_{JC}$	Internally Limited 200 5.0	W mW/ $^\circ\text{C}$ $^\circ\text{C}/\text{W}$
Storage Temperature Range	$T_{stg}$	-65 to +150	$^\circ\text{C}$
Operating Junction Temperature Range	$T_J$	0 to +150	$^\circ\text{C}$

## Representative Schematic Diagram



## LM340, A Series

### LM340-5.0

**ELECTRICAL CHARACTERISTICS** ( $V_{in} = 10\text{ V}$ ,  $I_O = 500\text{ mA}$ ,  $T_J = T_{low}$  to  $T_{high}$  [Note 1], unless otherwise noted.)

Characteristics	Symbol	Min	Typ	Max	Unit
Output Voltage ( $T_J = +25^\circ\text{C}$ ) $I_O = 5.0\text{ mA}$ to $1.0\text{ A}$	$V_O$	4.8	5.0	5.2	Vdc
Line Regulation (Note 2) 8.0 Vdc to 20 Vdc 7.0 Vdc to 25 Vdc ( $T_J = +25^\circ\text{C}$ ) 8.0 Vdc to 12 Vdc, $I_O = 1.0\text{ A}$ 7.3 Vdc to 20 Vdc, $I_O = 1.0\text{ A}$ ( $T_J = +25^\circ\text{C}$ )	Reg <sub>line</sub>	–	–	50 50 25 50	mV
Load Regulation (Note 2) $5.0\text{ mA} \leq I_O \leq 1.0\text{ A}$ $5.0\text{ mA} \leq I_O \leq 1.5\text{ A}$ ( $T_J = +25^\circ\text{C}$ ) $250\text{ mA} \leq I_O \leq 750\text{ mA}$ ( $T_J = +25^\circ\text{C}$ )	Reg <sub>load</sub>	–	–	50 50 25	mV
Output Voltage $7.0 \leq V_{in} \leq 20\text{ Vdc}$ , $5.0\text{ mA} \leq I_O \leq 1.0\text{ A}$ , $P_D \leq 15\text{ W}$	$V_O$	4.75	–	5.25	Vdc
Quiescent Current $I_O = 1.0\text{ A}$ $T_J = +25^\circ\text{C}$	$I_B$	–	–	8.5 8.0	mA
Quiescent Current Change $7.0 \leq V_{in} \leq 25\text{ Vdc}$ , $I_O = 500\text{ mA}$ $5.0\text{ mA} \leq I_O \leq 1.0\text{ A}$ , $V_{in} = 10\text{ V}$ $7.5 \leq V_{in} \leq 20\text{ Vdc}$ , $I_O = 1.0\text{ A}$	$\Delta I_B$	–	–	1.0 0.5 1.0	mA
Ripple Rejection $I_O = 1.0\text{ A}$ ( $T_J = +25^\circ\text{C}$ )	RR	62	80	–	dB
Dropout Voltage	$V_I - V_O$	–	1.7	–	Vdc
Output Resistance ( $f = 1.0\text{ kHz}$ )	$r_O$	–	2.0	–	$\text{m}\Omega$
Short Circuit Current Limit ( $T_J = +25^\circ\text{C}$ )	$I_{SC}$	–	2.0	–	A
Output Noise Voltage ( $T_A = +25^\circ\text{C}$ ) $10\text{ Hz} \leq f \leq 100\text{ kHz}$	$V_n$	–	40	–	$\mu\text{V}$
Average Temperature Coefficient of Output Voltage $I_O = 5.0\text{ mA}$	$TCV_O$	–	$\pm 0.6$	–	$\text{mV}/^\circ\text{C}$
Peak Output Current ( $T_J = +25^\circ\text{C}$ )	$I_O$	–	2.4	–	A
Input Voltage to Maintain Line Regulation ( $T_J = +25^\circ\text{C}$ ) $I_O = 1.0\text{ A}$		7.3	–	–	Vdc

**NOTES:** 1.  $T_{low}$  to  $T_{high} = 0^\circ$  to  $+125^\circ\text{C}$

2. Load and line regulation are specified at constant junction temperature. Changes in  $V_O$  due to heating effects must be taken into account separately. Pulse testing with low duty cycle is used.

### DEFINITIONS

**Line Regulation** – The change in output voltage for a change in the input voltage. The measurement is made under conditions of low dissipation or by using pulse techniques such that the average chip temperature is not significantly affected.

**Load Regulation** – The change in output voltage for a change in load current at constant chip temperature.

**Maximum Power Dissipation** – The maximum total device dissipation for which the regulator will operate within specifications.

**Quiescent Current** – That part of the input current that is not delivered to the load.

**Output Noise Voltage** – The rms AC voltage at the output, with constant load and no input ripple, measured over a specified frequency range.

## LM340, A Series

### LM340A-5.0

**ELECTRICAL CHARACTERISTICS** ( $V_{in} = 10\text{ V}$ ,  $I_O = 1.0\text{ A}$ ,  $T_J = T_{low}$  to  $T_{high}$  [Note 1], unless otherwise noted.)

Characteristics	Symbol	Min	Typ	Max	Unit
Output Voltage ( $T_J = +25^\circ\text{C}$ ) $I_O = 5.0\text{ mA}$ to $1.0\text{ A}$	$V_O$	4.9	5.0	5.1	Vdc
Line Regulation 7.5 Vdc to 20 Vdc, $I_O = 500\text{ mA}$ 7.3 Vdc to 25 Vdc ( $T_J = +25^\circ\text{C}$ ) 8.0 Vdc to 12 Vdc 8.0 Vdc to 12 Vdc ( $T_J = +25^\circ\text{C}$ )	Reg <sub>line</sub>	–	–	10	mV
Load Regulation $5.0\text{ mA} \leq I_O \leq 1.0\text{ A}$ $5.0\text{ mA} \leq I_O \leq 1.5\text{ A}$ ( $T_J = +25^\circ\text{C}$ ) $250\text{ mA} \leq I_O \leq 750\text{ mA}$ ( $T_J = +25^\circ\text{C}$ )	Reg <sub>load</sub>	–	–	25	mV
Output Voltage $7.5 \leq V_{in} \leq 20\text{ Vdc}$ , $5.0\text{ mA} \leq I_O \leq 1.0\text{ A}$ , $P_D \leq 15\text{ W}$	$V_O$	4.8	–	5.2	Vdc
Quiescent Current $T_J = +25^\circ\text{C}$	$I_B$	–	–	6.5	mA
Quiescent Current Change $5.0\text{ mA} \leq I_O \leq 1.0\text{ A}$ , $V_{in} = 10\text{ V}$ $8.0 \leq V_{in} \leq 25\text{ Vdc}$ , $I_O = 500\text{ mA}$ $7.5 \leq V_{in} \leq 20\text{ Vdc}$ , $I_O = 1.0\text{ A}$ ( $T_J = +25^\circ\text{C}$ )	$\Delta I_B$	–	–	0.5	mA
Ripple Rejection $8.0 \leq V_{in} \leq 18\text{ Vdc}$ , $f = 120\text{ Hz}$ $I_O = 500\text{ mA}$ $I_O = 1.0\text{ A}$ ( $T_J = +25^\circ\text{C}$ )	RR	68	–	–	dB
Dropout Voltage	$V_I - V_O$	–	1.7	–	Vdc
Output Resistance ( $f = 1.0\text{ kHz}$ )	$r_O$	–	2.0	–	m $\Omega$
Short Circuit Current Limit ( $T_J = +25^\circ\text{C}$ )	$I_{SC}$	–	2.0	–	A
Output Noise Voltage ( $T_A = +25^\circ\text{C}$ ) $10\text{ Hz} \leq f \leq 100\text{ kHz}$	$V_n$	–	40	–	$\mu\text{V}$
Average Temperature Coefficient of Output Voltage $I_O = 5.0\text{ mA}$	$TCV_O$	–	$\pm 0.6$	–	mV/ $^\circ\text{C}$
Peak Output Current ( $T_J = +25^\circ\text{C}$ )	$I_O$	–	2.4	–	A
Input Voltage to Maintain Line Regulation ( $T_J = +25^\circ\text{C}$ ) $I_O = 1.0\text{ A}$		7.3	–	–	Vdc

**NOTE:** 1.  $T_{low}$  to  $T_{high} = 0^\circ$  to  $+125^\circ\text{C}$

## LM340, A Series

### LM340-6.0

**ELECTRICAL CHARACTERISTICS** ( $V_{in} = 11\text{ V}$ ,  $I_O = 500\text{ mA}$ ,  $T_J = T_{low}$  to  $T_{high}$  [Note 1], unless otherwise noted.)

Characteristics	Symbol	Min	Typ	Max	Unit
Output Voltage ( $T_J = +25^\circ\text{C}$ ) $I_O = 5.0\text{ mA}$ to $1.0\text{ A}$	$V_O$	5.75	6.0	6.25	Vdc
Line Regulation 9.0 Vdc to 21 Vdc 8.0 Vdc to 25 Vdc ( $T_J = +25^\circ\text{C}$ ) 9.0 Vdc to 13 Vdc, $I_O = 1.0\text{ A}$ 8.3 Vdc to 21 Vdc, $I_O = 1.0\text{ A}$ ( $T_J = +25^\circ\text{C}$ )	Reg <sub>line</sub>	–	–	60 60 30 60	mV
Load Regulation $5.0\text{ mA} \leq I_O \leq 1.0\text{ A}$ $5.0\text{ mA} \leq I_O \leq 1.5\text{ A}$ ( $T_J = +25^\circ\text{C}$ ) $250\text{ mA} \leq I_O \leq 750\text{ mA}$ ( $T_J = +25^\circ\text{C}$ )	Reg <sub>load</sub>	–	–	60 60 30	mV
Output Voltage $8.0 \leq V_{in} \leq 21\text{ Vdc}$ , $6.0\text{ mA} \leq I_O \leq 1.0\text{ A}$ , $P_D \leq 15\text{ W}$	$V_O$	5.7	–	6.3	Vdc
Quiescent Current $I_O = 1.0\text{ A}$ $T_J = +25^\circ\text{C}$	$I_B$	–	–	8.5 8.0	mA
Quiescent Current Change $8.0 \leq V_{in} \leq 25\text{ Vdc}$ , $I_O = 500\text{ mA}$ $5.0\text{ mA} \leq I_O \leq 1.0\text{ A}$ , $V_{in} = 11\text{ V}$ $8.6 \leq V_{in} \leq 21\text{ Vdc}$ , $I_O = 1.0\text{ A}$	$\Delta I_B$	–	–	1.0 0.5 1.0	mA
Ripple Rejection $I_O = 1.0\text{ A}$ ( $T_J = +25^\circ\text{C}$ )	RR	59	78	–	dB
Dropout Voltage	$V_I - V_O$	–	1.7	–	Vdc
Output Resistance ( $f = 1.0\text{ kHz}$ )	$r_O$	–	2.0	–	$\text{m}\Omega$
Short Circuit Current Limit ( $T_J = +25^\circ\text{C}$ )	$I_{SC}$	–	1.9	–	A
Output Noise Voltage ( $T_A = +25^\circ\text{C}$ ) $10\text{ Hz} \leq f \leq 100\text{ kHz}$	$V_n$	–	45	–	$\mu\text{V}$
Average Temperature Coefficient of Output Voltage $I_O = 5.0\text{ mA}$	$TCV_O$	–	$\pm 0.7$	–	$\text{mV}/^\circ\text{C}$
Peak Output Current ( $T_J = +25^\circ\text{C}$ )	$I_O$	–	2.4	–	A
Input Voltage to Maintain Line Regulation ( $T_J = +25^\circ\text{C}$ ) $I_O = 1.0\text{ A}$		8.3	–	–	Vdc

**NOTE:** 1.  $T_{low}$  to  $T_{high} = 0^\circ$  to  $+125^\circ\text{C}$

## LM340, A Series

### LM340-8.0

**ELECTRICAL CHARACTERISTICS** ( $V_{in} = 14\text{ V}$ ,  $I_O = 500\text{ mA}$ ,  $T_J = T_{low}$  to  $T_{high}$  [Note 1], unless otherwise noted.)

Characteristics	Symbol	Min	Typ	Max	Unit
Output Voltage ( $T_J = +25^\circ\text{C}$ ) $I_O = 5.0\text{ mA}$ to $1.0\text{ A}$	$V_O$	7.7	8.0	8.3	Vdc
Line Regulation 11 Vdc to 23 Vdc 10.5 Vdc to 25 Vdc ( $T_J = +25^\circ\text{C}$ ) 11 Vdc to 17 Vdc, $I_O = 1.0\text{ A}$ 10.5 Vdc to 23 Vdc, $I_O = 1.0\text{ A}$ ( $T_J = +25^\circ\text{C}$ )	Reg <sub>line</sub>	–	–	80	mV
Load Regulation $5.0\text{ mA} \leq I_O \leq 1.0\text{ A}$ $5.0\text{ mA} \leq I_O \leq 1.5\text{ A}$ ( $T_J = +25^\circ\text{C}$ ) $250\text{ mA} \leq I_O \leq 750\text{ mA}$ ( $T_J = +25^\circ\text{C}$ )	Reg <sub>load</sub>	–	–	80	mV
Output Voltage $10.5 \leq V_{in} \leq 23\text{ Vdc}$ , $5.0\text{ mA} \leq I_O \leq 1.0\text{ A}$ , $P_D \leq 15\text{ W}$	$V_O$	7.6	–	8.4	Vdc
Quiescent Current $I_O = 1.0\text{ A}$ $T_J = +25^\circ\text{C}$	$I_B$	–	–	8.5	mA
Quiescent Current Change $10.5 \leq V_{in} \leq 25\text{ Vdc}$ , $I_O = 500\text{ mA}$ $5.0\text{ mA} \leq I_O \leq 1.0\text{ A}$ , $V_{in} = 14\text{ V}$ $10.6 \leq V_{in} \leq 23\text{ Vdc}$ , $I_O = 1.0\text{ A}$	$\Delta I_B$	–	–	1.0	mA
Ripple Rejection $I_O = 1.0\text{ A}$ ( $T_J = +25^\circ\text{C}$ )	RR	56	76	–	dB
Dropout Voltage	$V_I - V_O$	–	1.7	–	Vdc
Output Resistance ( $f = 1.0\text{ kHz}$ )	$r_O$	–	2.0	–	$\text{m}\Omega$
Short Circuit Current Limit ( $T_J = +25^\circ\text{C}$ )	$I_{SC}$	–	1.5	–	A
Output Noise Voltage ( $T_A = +25^\circ\text{C}$ ) $10\text{ Hz} \leq f \leq 100\text{ kHz}$	$V_n$	–	52	–	$\mu\text{V}$
Average Temperature Coefficient of Output Voltage $I_O = 5.0\text{ mA}$	$TCV_O$	–	$\pm 1.0$	–	$\text{mV}/^\circ\text{C}$
Peak Output Current ( $T_J = +25^\circ\text{C}$ )	$I_O$	–	2.4	–	A
Input Voltage to Maintain Line Regulation ( $T_J = +25^\circ\text{C}$ ) $I_O = 1.0\text{ A}$		10.5	–	–	Vdc

**NOTE:** 1.  $T_{low}$  to  $T_{high} = 0^\circ$  to  $+125^\circ\text{C}$

## LM340, A Series

### LM340-12

**ELECTRICAL CHARACTERISTICS** ( $V_{in} = 19\text{ V}$ ,  $I_O = 500\text{ mA}$ ,  $T_J = T_{low}$  to  $T_{high}$  [Note 1], unless otherwise noted.)

Characteristics	Symbol	Min	Typ	Max	Unit
Output Voltage ( $T_J = +25^\circ\text{C}$ ) $I_O = 5.0\text{ mA}$ to $1.0\text{ A}$	$V_O$	11.5	12	12.5	Vdc
Line Regulation (Note 2) 15 Vdc to 27 Vdc 14.6 Vdc to 30 Vdc ( $T_J = +25^\circ\text{C}$ ) 16 Vdc to 22 Vdc, $I_O = 1.0\text{ A}$ 14.6 Vdc to 27 Vdc, $I_O = 1.0\text{ A}$ ( $T_J = +25^\circ\text{C}$ )	Reg <sub>line</sub>	–	–	120 120 60 120	mV
Load Regulation (Note 2) $5.0\text{ mA} \leq I_O \leq 1.0\text{ A}$ $5.0\text{ mA} \leq I_O \leq 1.5\text{ A}$ ( $T_J = +25^\circ\text{C}$ ) $250\text{ mA} \leq I_O \leq 750\text{ mA}$ ( $T_J = +25^\circ\text{C}$ )	Reg <sub>load</sub>	–	–	120 120 60	mV
Output Voltage $14.5 \leq V_{in} \leq 27\text{ Vdc}$ , $5.0\text{ mA} \leq I_O \leq 1.0\text{ A}$ , $P_D \leq 15\text{ W}$	$V_O$	11.4	–	12.6	Vdc
Quiescent Current $I_O = 1.0\text{ A}$ $T_J = +25^\circ\text{C}$	$I_B$	–	–	8.5 8.0	mA
Quiescent Current Change $14.5 \leq V_{in} \leq 30\text{ Vdc}$ , $I_O = 500\text{ mA}$ $5.0\text{ mA} \leq I_O \leq 1.0\text{ A}$ , $V_{in} = 19\text{ V}$ $14.8 \leq V_{in} \leq 27\text{ Vdc}$ , $I_O = 1.0\text{ A}$	$\Delta I_B$	–	–	1.0 0.5 1.0	mA
Ripple Rejection $I_O = 1.0\text{ A}$ ( $T_J = +25^\circ\text{C}$ )	RR	55	72	–	dB
Dropout Voltage	$V_I - V_O$	–	1.7	–	Vdc
Output Resistance ( $f = 1.0\text{ kHz}$ )	$r_O$	–	2.0	–	$\text{m}\Omega$
Short Circuit Current Limit ( $T_J = +25^\circ\text{C}$ )	$I_{SC}$	–	1.1	–	A
Output Noise Voltage ( $T_A = +25^\circ\text{C}$ ) $10\text{ Hz} \leq f \leq 100\text{ kHz}$	$V_n$	–	75	–	$\mu\text{V}$
Average Temperature Coefficient of Output Voltage $I_O = 5.0\text{ mA}$	$TCV_O$	–	$\pm 1.5$	–	$\text{mV}/^\circ\text{C}$
Peak Output Current ( $T_J = +25^\circ\text{C}$ )	$I_O$	–	2.4	–	A
Input Voltage to Maintain Line Regulation ( $T_J = +25^\circ\text{C}$ ) $I_O = 1.0\text{ A}$		14.6	–	–	Vdc

**NOTES:** 1.  $T_{low}$  to  $T_{high} = 0^\circ$  to  $+125^\circ\text{C}$

2. Load and line regulation are specified at constant junction temperature. Changes in  $V_O$  due to heating effects must be taken into account separately. Pulse testing with low duty cycle is used.

## LM340, A Series

### LM340A-12

**ELECTRICAL CHARACTERISTICS** ( $V_{in} = 19\text{ V}$ ,  $I_O = 1.0\text{ mA}$ ,  $T_J = T_{low}$  to  $T_{high}$  [Note 1], unless otherwise noted.)

Characteristics	Symbol	Min	Typ	Max	Unit
Output Voltage ( $T_J = +25^\circ\text{C}$ ) $I_O = 5.0\text{ mA}$ to $1.0\text{ A}$	$V_O$	11.75	12	12.25	Vdc
Line Regulation 14.8 Vdc to 27 Vdc, $I_O = 500\text{ mA}$ 14.5 Vdc to 30 Vdc ( $T_J = +25^\circ\text{C}$ ) 16 Vdc to 22 Vdc 16 Vdc to 22 Vdc ( $T_J = +25^\circ\text{C}$ )	Reg <sub>line</sub>	–	–	18	mV
		–	4.0	18	
		–	–	30	
		–	–	9.0	
Load Regulation $5.0\text{ mA} \leq I_O \leq 1.0\text{ A}$ $5.0\text{ mA} \leq I_O \leq 1.5\text{ A}$ ( $T_J = +25^\circ\text{C}$ ) $250\text{ mA} \leq I_O \leq 750\text{ mA}$ ( $T_J = +25^\circ\text{C}$ )	Reg <sub>load</sub>	–	–	60	mV
		–	–	32	
		–	–	19	
Output Voltage $14.8 \leq V_{in} \leq 27\text{ Vdc}$ , $5.0\text{ mA} \leq I_O \leq 1.0\text{ A}$ , $P_D \leq 15\text{ W}$	$V_O$	11.5	–	12.5	Vdc
Quiescent Current $T_J = +25^\circ\text{C}$	$I_B$	–	–	6.5	mA
		–	3.5	6.0	
Quiescent Current Change $5.0\text{ mA} \leq I_O \leq 1.0\text{ A}$ , $V_{in} = 19\text{ V}$ $15 \leq V_{in} \leq 30\text{ Vdc}$ , $I_O = 500\text{ mA}$ $14.8 \leq V_{in} \leq 27\text{ Vdc}$ , $I_O = 1.0\text{ A}$ ( $T_J = +25^\circ\text{C}$ )	$\Delta I_B$	–	–	0.5	mA
		–	–	0.8	
		–	–	0.8	
Ripple Rejection $15 \leq V_{in} \leq 25\text{ Vdc}$ , $f = 120\text{ Hz}$ $I_O = 500\text{ mA}$ $I_O = 1.0\text{ A}$ ( $T_J = +25^\circ\text{C}$ )	RR				dB
		61	–	–	
		61	72	–	
Dropout Voltage	$V_I - V_O$	–	1.7	–	Vdc
Output Resistance ( $f = 1.0\text{ kHz}$ )	$r_O$	–	2.0	–	$\text{m}\Omega$
Short Circuit Current Limit ( $T_J = +25^\circ\text{C}$ )	$I_{SC}$	–	1.1	–	A
Output Noise Voltage ( $T_A = +25^\circ\text{C}$ ) $10\text{ Hz} \leq f \leq 100\text{ kHz}$	$V_n$	–	75	–	$\mu\text{V}$
Average Temperature Coefficient of Output Voltage $I_O = 5.0\text{ mA}$	$\text{TCV}_O$	–	$\pm 1.5$	–	$\text{mV}/^\circ\text{C}$
Peak Output Current ( $T_J = +25^\circ\text{C}$ )	$I_O$	–	2.4	–	A
Input Voltage to Maintain Line Regulation ( $T_J = +25^\circ\text{C}$ )		14.5	–	–	Vdc

**NOTE:** 1.  $T_{low}$  to  $T_{high} = 0^\circ$  to  $+125^\circ\text{C}$



## LM340, A Series

### LM340-15

**ELECTRICAL CHARACTERISTICS** ( $V_{in} = 23\text{ V}$ ,  $I_O = 500\text{ mA}$ ,  $T_J = T_{low}$  to  $T_{high}$  [Note 1], unless otherwise noted.)

Characteristics	Symbol	Min	Typ	Max	Unit
Output Voltage ( $T_J = +25^\circ\text{C}$ ) $I_O = 5.0\text{ mA}$ to $1.0\text{ A}$	$V_O$	14.4	15	15.6	Vdc
Line Regulation (Note 2) 18.5 Vdc to 30 Vdc 17.5 Vdc to 30 Vdc ( $T_J = +25^\circ\text{C}$ ) 20 Vdc to 26 Vdc, $I_O = 1.0\text{ A}$ 17.7 Vdc to 30 Vdc, $I_O = 1.0\text{ A}$ ( $T_J = +25^\circ\text{C}$ )	Reg <sub>line</sub>	–	–	150 150 75 150	mV
Load Regulation (Note 2) $5.0\text{ mA} \leq I_O \leq 1.0\text{ A}$ $5.0\text{ mA} \leq I_O \leq 1.5\text{ A}$ ( $T_J = +25^\circ\text{C}$ ) $250\text{ mA} \leq I_O \leq 750\text{ mA}$ ( $T_J = +25^\circ\text{C}$ )	Reg <sub>load</sub>	–	–	150 150 75	mV
Output Voltage $17.5 \leq V_{in} \leq 30\text{ Vdc}$ , $5.0\text{ mA} \leq I_O \leq 1.0\text{ A}$ , $P_D \leq 15\text{ W}$	$V_O$	14.25	–	15.75	Vdc
Quiescent Current $I_O = 1.0\text{ A}$ $T_J = +25^\circ\text{C}$	$I_B$	–	– 4.0	8.5 8.0	mA
Quiescent Current Change $17.5 \leq V_{in} \leq 30\text{ Vdc}$ , $I_O = 500\text{ mA}$ $5.0\text{ mA} \leq I_O \leq 1.0\text{ A}$ , $V_{in} = 23\text{ V}$ $17.9 \leq V_{in} \leq 30\text{ Vdc}$ , $I_O = 1.0\text{ A}$	$\Delta I_B$	–	–	1.0 0.5 1.0	mA
Ripple Rejection $I_O = 1.0\text{ mA}$ ( $T_J = +25^\circ\text{C}$ )	RR	54	70	–	dB
Dropout Voltage	$V_I - V_O$	–	1.7	–	Vdc
Output Resistance ( $f = 1.0\text{ kHz}$ )	$r_O$	–	2.0	–	$\text{m}\Omega$
Short Circuit Current Limit ( $T_J = +25^\circ\text{C}$ )	$I_{SC}$	–	800	–	A
Output Noise Voltage ( $T_A = +25^\circ\text{C}$ ) $10\text{ Hz} \leq f \leq 100\text{ kHz}$	$V_n$	–	90	–	$\mu\text{V}$
Average Temperature Coefficient of Output Voltage $I_O = 5.0\text{ mA}$	$TCV_O$	–	$\pm 1.8$	–	$\text{mV}/^\circ\text{C}$
Peak Output Current ( $T_J = +25^\circ\text{C}$ )	$I_O$	–	2.4	–	A
Input Voltage to Maintain Line Regulation ( $T_J = +25^\circ\text{C}$ ) $I_O = 1.0\text{ A}$		17.7	–	–	Vdc

**NOTES:** 1.  $T_{low}$  to  $T_{high} = 0^\circ$  to  $+125^\circ\text{C}$

2. Load and line regulation are specified at constant junction temperature. Changes in  $V_O$  due to heating effects must be taken into account separately. Pulse testing with low duty cycle is used.

## LM340, A Series

### LM340A-15

**ELECTRICAL CHARACTERISTICS** ( $V_{in} = 23\text{ V}$ ,  $I_O = 1.0\text{ mA}$ ,  $T_J = T_{low}$  to  $T_{high}$  [Note 1], unless otherwise noted.)

Characteristics	Symbol	Min	Typ	Max	Unit
Output Voltage ( $T_J = +25^\circ\text{C}$ ) $I_O = 5.0\text{ mA}$ to $1.0\text{ A}$	$V_O$	14.7	15	15.3	Vdc
Line Regulation 17.9 Vdc to 30 Vdc, $I_O = 500\text{ mA}$ 17.5 Vdc to 30 Vdc ( $T_J = +25^\circ\text{C}$ ) 20 Vdc to 26 Vdc, $I_O = 1.0\text{ A}$ 20 Vdc to 26 Vdc, $I_O = 1.0\text{ A}$ ( $T_J = +25^\circ\text{C}$ )	Reg <sub>line</sub>	–	–	22	mV
Load Regulation $5.0\text{ mA} \leq I_O \leq 1.0\text{ A}$ $5.0\text{ mA} \leq I_O \leq 1.5\text{ A}$ ( $T_J = +25^\circ\text{C}$ ) $250\text{ mA} \leq I_O \leq 750\text{ mA}$ ( $T_J = +25^\circ\text{C}$ )	Reg <sub>load</sub>	–	–	75	mV
Output Voltage $17.9 \leq V_{in} \leq 30\text{ Vdc}$ , $5.0\text{ mA} \leq I_O \leq 1.0\text{ A}$ , $P_D \leq 15\text{ W}$	$V_O$	14.4	–	15.6	Vdc
Quiescent Current $T_J = +25^\circ\text{C}$	$I_B$	–	–	6.5	mA
Quiescent Current Change $5.0\text{ mA} \leq I_O \leq 1.0\text{ A}$ , $V_{in} = 23\text{ V}$ $17.9 \leq V_{in} \leq 30\text{ Vdc}$ , $I_O = 500\text{ mA}$ $17.9 \leq V_{in} \leq 30\text{ Vdc}$ , $I_O = 1.0\text{ A}$ ( $T_J = +25^\circ\text{C}$ )	$\Delta I_B$	–	–	0.5	mA
Ripple Rejection $18.5 \leq V_{in} \leq 28.5\text{ Vdc}$ , $f = 120\text{ Hz}$ $I_O = 500\text{ mA}$ $I_O = 1.0\text{ A}$ ( $T_J = +25^\circ\text{C}$ )	RR	60	–	–	dB
Dropout Voltage	$V_I - V_O$	–	1.7	–	Vdc
Output Resistance ( $f = 1.0\text{ kHz}$ )	$r_O$	–	2.0	–	$\text{m}\Omega$
Short Circuit Current Limit ( $T_J = +25^\circ\text{C}$ )	$I_{SC}$	–	800	–	A
Output Noise Voltage ( $T_A = +25^\circ\text{C}$ ) $10\text{ Hz} \leq f \leq 100\text{ kHz}$	$V_n$	–	90	–	$\mu\text{V}$
Average Temperature Coefficient of Output Voltage $I_O = 5.0\text{ mA}$	$TCV_O$	–	$\pm 1.8$	–	$\text{mV}/^\circ\text{C}$
Peak Output Current ( $T_J = +25^\circ\text{C}$ )	$I_O$	–	2.4	–	A
Input Voltage to Maintain Line Regulation ( $T_J = +25^\circ\text{C}$ )		17.5	–	–	Vdc

**NOTE:** 1.  $T_{low}$  to  $T_{high} = 0^\circ$  to  $+125^\circ\text{C}$

## LM340, A Series

### LM340-18

**ELECTRICAL CHARACTERISTICS** ( $V_{in} = 27\text{ V}$ ,  $I_O = 500\text{ mA}$ ,  $T_J = T_{low}$  to  $T_{high}$  [Note 1], unless otherwise noted.)

Characteristics	Symbol	Min	Typ	Max	Unit
Output Voltage ( $T_J = +25^\circ\text{C}$ ) $I_O = 5.0\text{ mA}$ to $1.0\text{ A}$	$V_O$	17.3	18	18.7	Vdc
Line Regulation 21.5 Vdc to 33 Vdc 21 Vdc to 33 Vdc ( $T_J = +25^\circ\text{C}$ ) 24 Vdc to 30 Vdc, $I_O = 1.0\text{ A}$ 21 Vdc to 33 Vdc, $I_O = 1.0\text{ A}$ ( $T_J = +25^\circ\text{C}$ )	Reg <sub>line</sub>	–	–	180 180 90 180	mV
Load Regulation $5.0\text{ mA} \leq I_O \leq 1.0\text{ A}$ $5.0\text{ mA} \leq I_O \leq 1.5\text{ A}$ ( $T_J = +25^\circ\text{C}$ ) $250\text{ mA} \leq I_O \leq 750\text{ mA}$ ( $T_J = +25^\circ\text{C}$ )	Reg <sub>load</sub>	–	–	180 180 90	mV
Output Voltage $21 \leq V_{in} \leq 33\text{ Vdc}$ , $5.0\text{ mA} \leq I_O \leq 1.0\text{ A}$ , $P_D \leq 15\text{ W}$	$V_O$	17.1	–	18.9	Vdc
Quiescent Current $I_O = 1.0\text{ A}$ $T_J = +25^\circ\text{C}$	$I_B$	–	–	8.5 8.0	mA
Quiescent Current Change $21 \leq V_{in} \leq 33\text{ Vdc}$ , $I_O = 500\text{ mA}$ $5.0\text{ mA} \leq I_O \leq 1.0\text{ A}$ , $V_{in} = 27\text{ V}$ $21 \leq V_{in} \leq 33\text{ Vdc}$ , $I_O = 1.0\text{ A}$	$\Delta I_B$	–	–	1.0 0.5 1.0	mA
Ripple Rejection $I_O = 1.0\text{ mA}$ ( $T_J = +25^\circ\text{C}$ )	RR	53	69	–	dB
Dropout Voltage	$V_I - V_O$	–	1.7	–	Vdc
Output Resistance ( $f = 1.0\text{ kHz}$ )	$r_O$	–	2.0	–	$\text{m}\Omega$
Short Circuit Current Limit ( $T_J = +25^\circ\text{C}$ )	$I_{SC}$	–	500	–	A
Output Noise Voltage ( $T_A = +25^\circ\text{C}$ ) $10\text{ Hz} \leq f \leq 100\text{ kHz}$	$V_n$	–	110	–	$\mu\text{V}$
Average Temperature Coefficient of Output Voltage $I_O = 5.0\text{ mA}$	$TCV_O$	–	$\pm 2.3$	–	$\text{mV}/^\circ\text{C}$
Peak Output Current ( $T_J = +25^\circ\text{C}$ )	$I_O$	–	2.4	–	A
Input Voltage to Maintain Line Regulation ( $T_J = +25^\circ\text{C}$ ) $I_O = 1.0\text{ A}$		21	–	–	Vdc

**NOTE:** 1.  $T_{low}$  to  $T_{high} = 0^\circ$  to  $+125^\circ\text{C}$

## LM340, A Series

### LM340-24

**ELECTRICAL CHARACTERISTICS** ( $V_{in} = 33\text{ V}$ ,  $I_O = 500\text{ mA}$ ,  $T_J = T_{low}$  to  $T_{high}$  [Note 1], unless otherwise noted.)

Characteristics	Symbol	Min	Typ	Max	Unit
Output Voltage ( $T_J = +25^\circ\text{C}$ ) $I_O = 5.0\text{ mA}$ to $1.0\text{ A}$	$V_O$	23	24	25	Vdc
Line Regulation 28 Vdc to 38 Vdc 27 Vdc to 38 Vdc ( $T_J = +25^\circ\text{C}$ ) 30 Vdc to 36 Vdc, $I_O = 1.0\text{ A}$ 27.1 Vdc to 38 Vdc, $I_O = 1.0\text{ A}$ ( $T_J = +25^\circ\text{C}$ )	Reg <sub>line</sub>	–	–	240	mV
Load Regulation $5.0\text{ mA} \leq I_O \leq 1.0\text{ A}$ $5.0\text{ mA} \leq I_O \leq 1.5\text{ A}$ ( $T_J = +25^\circ\text{C}$ ) $250\text{ mA} \leq I_O \leq 750\text{ mA}$ ( $T_J = +25^\circ\text{C}$ )	Reg <sub>load</sub>	–	–	240	mV
Output Voltage $27 \leq V_{in} \leq 38\text{ Vdc}$ , $5.0\text{ mA} \leq I_O \leq 1.0\text{ A}$ , $P_D \leq 15\text{ W}$	$V_O$	22.8	–	25.2	Vdc
Quiescent Current $I_O = 1.0\text{ A}$ $T_J = +25^\circ\text{C}$	$I_B$	–	–	8.5	mA
Quiescent Current Change $27 \leq V_{in} \leq 38\text{ Vdc}$ , $I_O = 500\text{ mA}$ $5.0\text{ mA} \leq I_O \leq 1.0\text{ A}$ , $V_{in} = 33\text{ V}$ $27.3 \leq V_{in} \leq 38\text{ Vdc}$ , $I_O = 1.0\text{ A}$	$\Delta I_B$	–	–	1.0	mA
Ripple Rejection $I_O = 1.0\text{ mA}$ ( $T_J = +25^\circ\text{C}$ )	RR	50	66	–	dB
Dropout Voltage	$V_I - V_O$	–	1.7	–	Vdc
Output Resistance ( $f = 1.0\text{ kHz}$ )	$r_O$	–	2.0	–	$\text{m}\Omega$
Short Circuit Current Limit ( $T_J = +25^\circ\text{C}$ )	$I_{SC}$	–	200	–	A
Output Noise Voltage ( $T_A = +25^\circ\text{C}$ ) $10\text{ Hz} \leq f \leq 100\text{ kHz}$	$V_n$	–	170	–	$\mu\text{V}$
Average Temperature Coefficient of Output Voltage $I_O = 5.0\text{ mA}$	$TCV_O$	–	$\pm 3.0$	–	$\text{mV}/^\circ\text{C}$
Peak Output Current ( $T_J = +25^\circ\text{C}$ )	$I_O$	–	2.4	–	A
Input Voltage to Maintain Line Regulation ( $T_J = +25^\circ\text{C}$ ) $I_O = 1.0\text{ A}$		27.1	–	–	Vdc

**NOTE:** 1.  $T_{low}$  to  $T_{high} = 0^\circ$  to  $+125^\circ\text{C}$

# LM340, A Series

## VOLTAGE REGULATOR PERFORMANCE

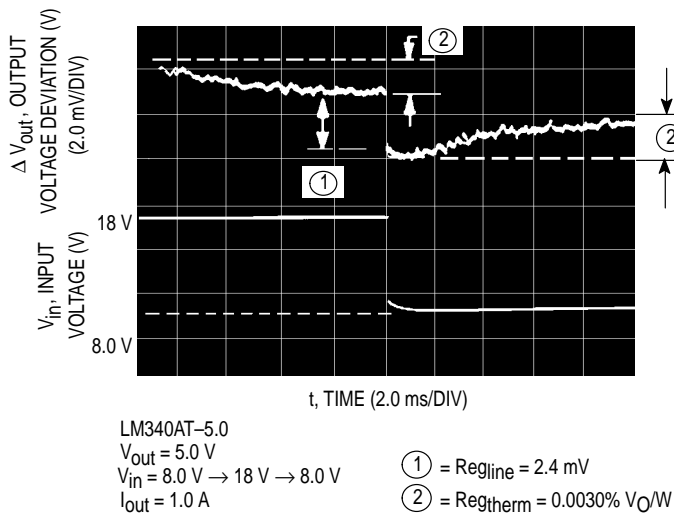
The performance of a voltage regulator is specified by its immunity to changes in load, input voltage, power dissipation, and temperature. Line and load regulation are tested with a pulse of short duration ( $< 100 \mu\text{s}$ ) and are strictly a function of electrical gain. However, pulse widths of longer duration ( $> 1.0 \text{ ms}$ ) are sufficient to affect temperature gradients across the die. These temperature gradients can cause a change in the output voltage, in addition to changes caused by line and load regulation. Longer pulse widths and thermal gradients make it desirable to specify thermal regulation.

Thermal regulation is defined as the change in output voltage caused by a change in dissipated power for a specified time, and is expressed as a percentage output voltage change per watt. The change in dissipated power can

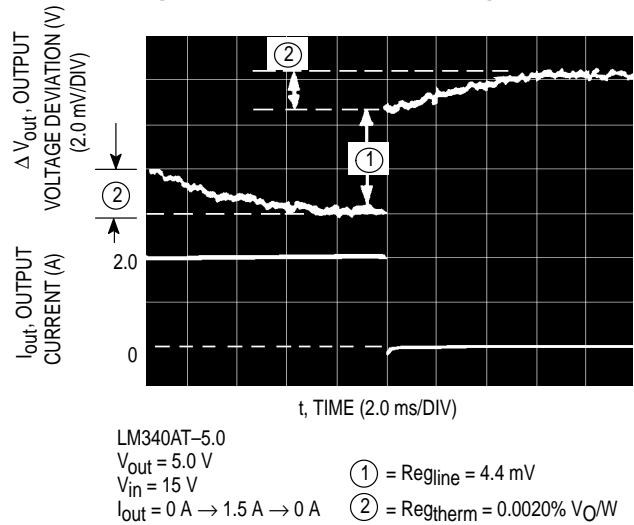
be caused by a change in either input voltage or the load current. Thermal regulation is a function of IC layout and die attach techniques, and usually occurs within 10 ms of a change in power dissipation. After 10 ms, additional changes in the output voltage are due to the temperature coefficient of the device.

Figure 1 shows the line and thermal regulation response of a typical LM340AT-5.0 to a 10 W input pulse. The variation of the output voltage due to line regulation is labeled  $\Delta$  and the thermal regulation component is labeled  $\Delta$ . Figure 2 shows the load and thermal regulation response of a typical LM340AT-5.0 to a 15 W load pulse. The output voltage variation due to load regulation is labeled  $\Delta$  and the thermal regulation component is labeled  $\Delta$ .

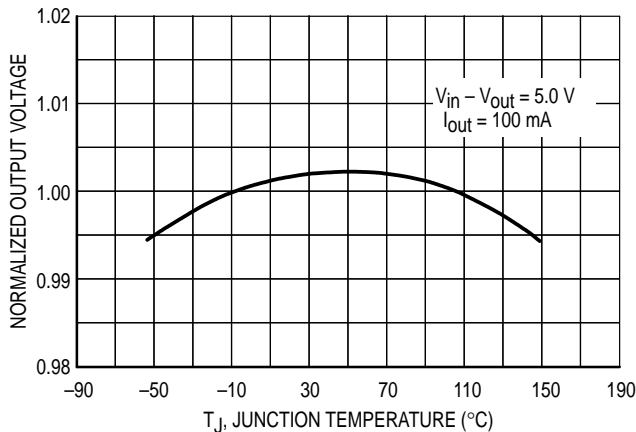
**Figure 1. Line and Thermal Regulation**



**Figure 2. Load and Thermal Regulation**



**Figure 3. Temperature Stability**



**Figure 4. Output Impedance**

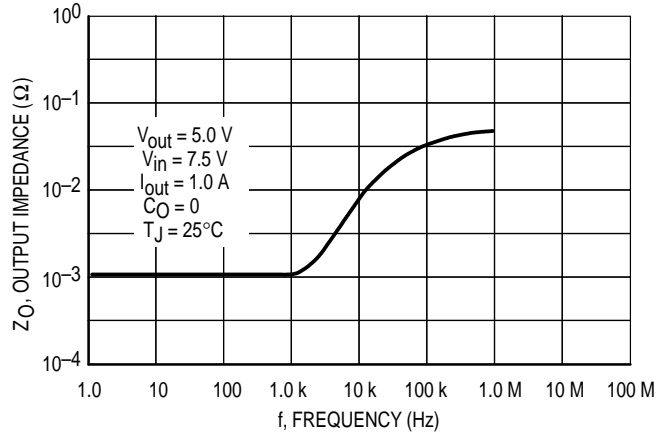


Figure 5. Ripple Rejection versus Frequency

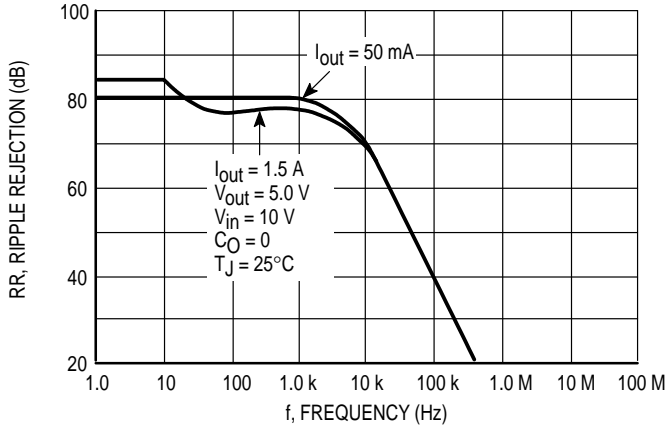


Figure 6. Ripple Rejection versus Output Current

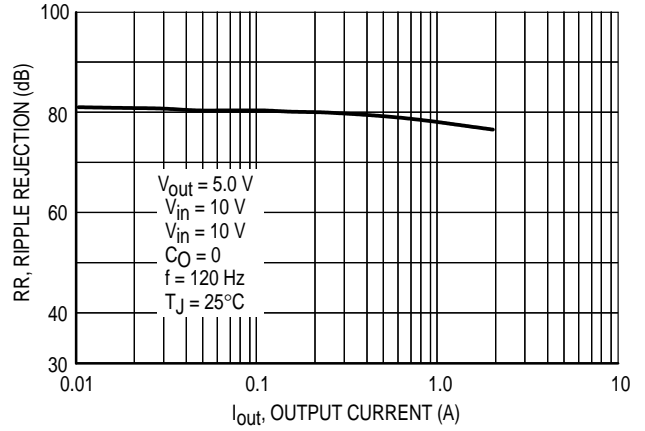


Figure 7. Quiescent Current versus Input Voltage

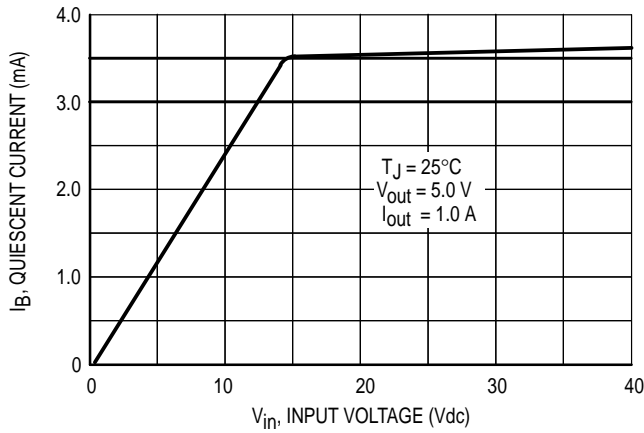


Figure 8. Quiescent Current versus Output Current

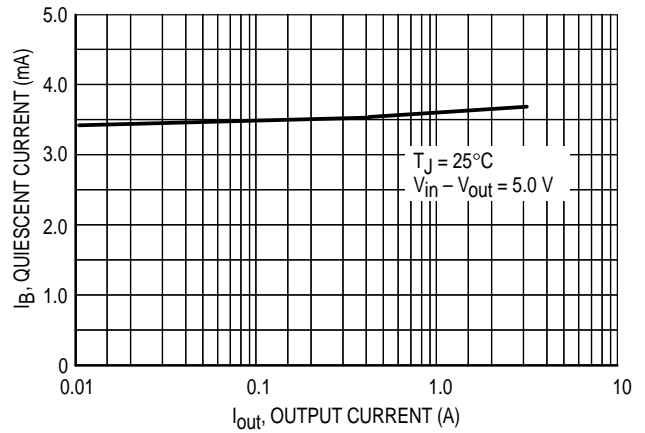


Figure 9. Dropout Voltage

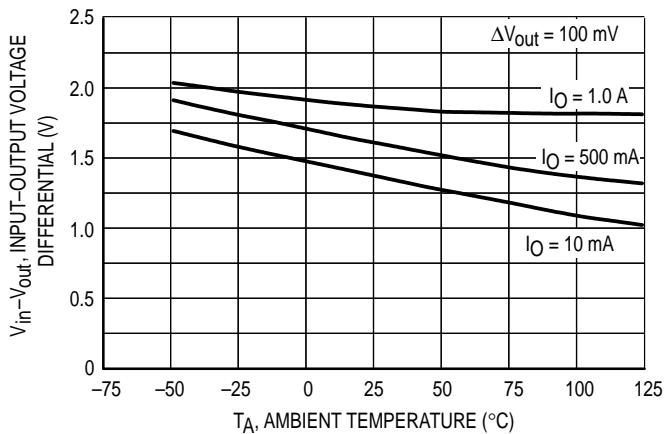
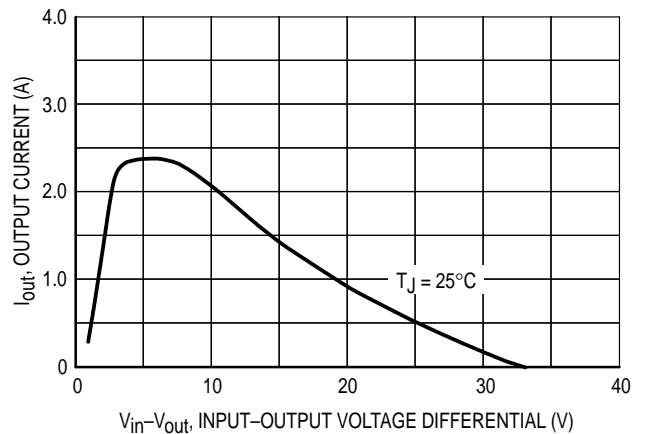
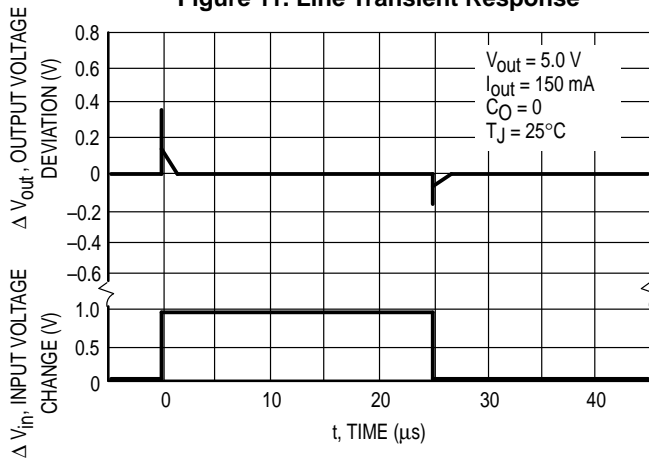


Figure 10. Peak Output Current

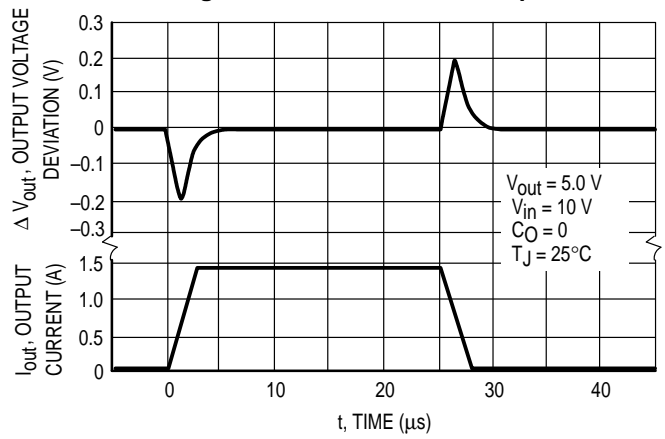


# LM340, A Series

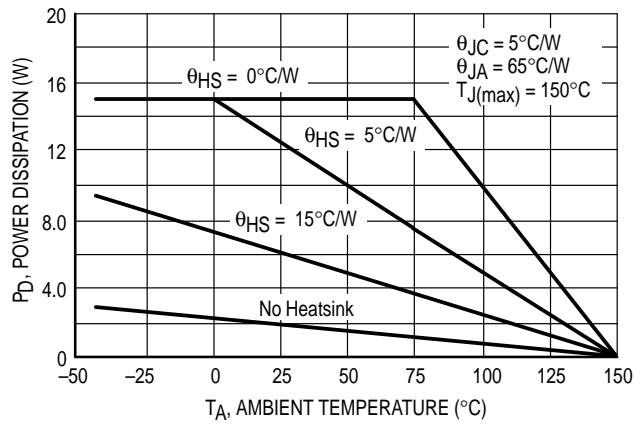
**Figure 11. Line Transient Response**



**Figure 12. Load Transient Response**



**Figure 13. Worst Case Power Dissipation versus Ambient Temperature (Case 221A)**



# LM340, A Series

## APPLICATIONS INFORMATION

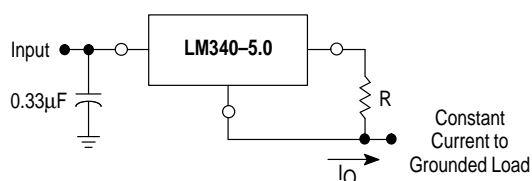
### Design Considerations

The LM340, A series of fixed voltage regulators are designed with Thermal Overload Protection that shuts down the circuit when subjected to an excessive power overload condition, Internal Short Circuit Protection that limits the maximum current the circuit will pass, and Output Transistor Safe-Area Compensation that reduces the output short circuit current as the voltage across the pass transistor is increased.

In many low current applications, compensation capacitors are not required. However, it is recommended that the regulator input be bypassed with a capacitor if the

regulator is connected to the power supply filter with long wire lengths, or if the output load capacitance is large. An input bypass capacitor should be selected to provide good high-frequency characteristics to insure stable operation under all load conditions. A 0.33  $\mu\text{F}$  or larger tantalum, mylar, or other capacitor having low internal impedance at high frequencies should be chosen. The bypass capacitor should be mounted with the shortest possible leads directly across the regulators input terminals. Normally good construction techniques should be used to minimize ground loops and lead resistance drops since the regulator has no external sense lead.

**Figure 14. Current Regulator**



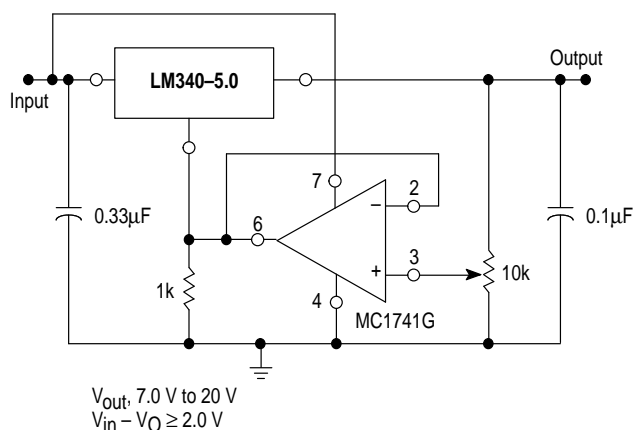
These regulators can also be used as a current source when connected as above. In order to minimize dissipation the LM340-5.0 is chosen in this application. Resistor R determines the current as follows:

$$I_O = \frac{5.0 \text{ V}}{R} + I_Q$$

$I_Q \cong 1.5 \text{ mA}$  over line and load changes

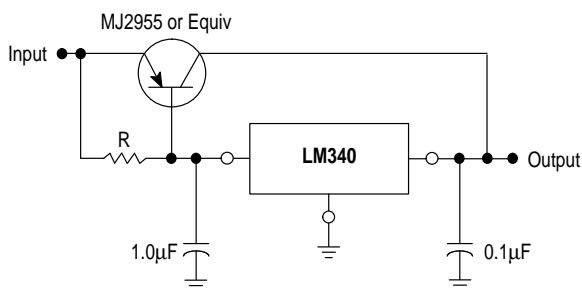
For example, a 1 A current source would require R to be a 5  $\Omega$ , 10 W resistor and the output voltage compliance would be the input voltage less 7.0 V.

**Figure 15. Adjustable Output Regulator**



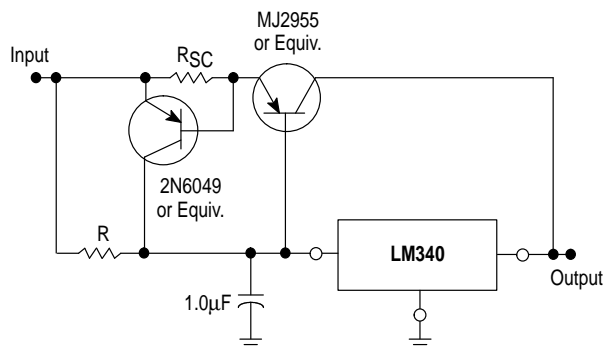
The addition of an operational amplifier allows adjustment to higher or intermediate values while retaining regulation characteristics. The minimum voltage obtainable with this arrangement is 2.0 V greater than the regulator voltage.

**Figure 16. Current Boost Regulator**



The LM340, A series can be current boosted with a PNP transistor. The MJ2955 provides current to 5.0 A. Resistor R in conjunction with the  $V_{BE}$  of the PNP determines when the pass transistor begins conducting; this circuit is not short circuit proof. Input-output differential voltage minimum is increased by  $V_{BE}$  of the pass transistor.

**Figure 17. Short Circuit Protection**

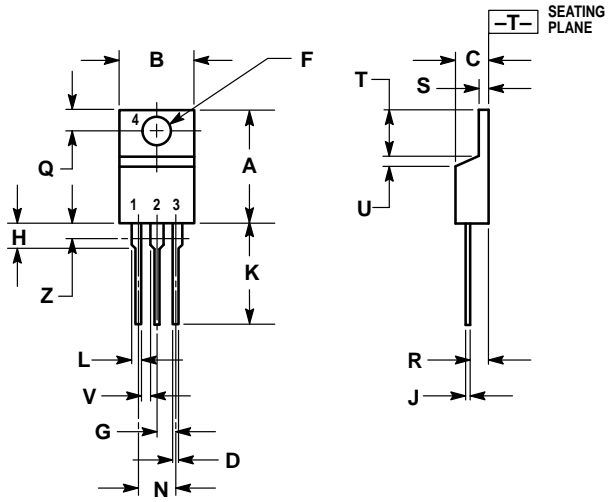


The circuit of Figure 17 can be modified to provide supply protection against short circuits by adding a short circuit sense resistor,  $R_{SC}$ , and an additional PNP transistor. The current sensing PNP must be able to handle the short circuit current of the three-terminal regulator. Therefore, 4.0 A plastic power transistor is specified.



# LM340, A Series OUTLINE DIMENSIONS

**T SUFFIX**  
PLASTIC PACKAGE  
CASE 221A-06  
ISSUE Y




- NOTES:
1. DIMENSIONING AND TOLERANCING PER ANSI Y14.5M, 1982.
  2. CONTROLLING DIMENSION: INCH.
  3. DIMENSION Z DEFINES A ZONE WHERE ALL BODY AND LEAD IRREGULARITIES ARE ALLOWED.

DIM	INCHES		MILLIMETERS	
	MIN	MAX	MIN	MAX
A	0.570	0.620	14.48	15.75
B	0.380	0.405	9.66	10.28
C	0.160	0.190	4.07	4.82
D	0.025	0.035	0.64	0.88
F	0.142	0.147	3.61	3.73
G	0.095	0.105	2.42	2.66
H	0.110	0.155	2.80	3.93
J	0.018	0.025	0.46	0.64
K	0.500	0.562	12.70	14.27
L	0.045	0.060	1.15	1.52
N	0.190	0.210	4.83	5.33
Q	0.100	0.120	2.54	3.04
R	0.080	0.110	2.04	2.79
S	0.045	0.055	1.15	1.39
T	0.235	0.255	5.97	6.47
U	0.000	0.050	0.00	1.27
V	0.045	—	1.15	—
Z	—	0.080	—	2.04

**LM340, A Series**  
**NOTES**

**LM340, A Series**  
**NOTES**

# LM340, A Series

Motorola reserves the right to make changes without further notice to any products herein. Motorola makes no warranty, representation or guarantee regarding the suitability of its products for any particular purpose, nor does Motorola assume any liability arising out of the application or use of any product or circuit, and specifically disclaims any and all liability, including without limitation consequential or incidental damages. "Typical" parameters which may be provided in Motorola data sheets and/or specifications can and do vary in different applications and actual performance may vary over time. All operating parameters, including "Typicals" must be validated for each customer application by customer's technical experts. Motorola does not convey any license under its patent rights nor the rights of others. Motorola products are not designed, intended, or authorized for use as components in systems intended for surgical implant into the body, or other applications intended to support or sustain life, or for any other application in which the failure of the Motorola product could create a situation where personal injury or death may occur. Should Buyer purchase or use Motorola products for any such unintended or unauthorized application, Buyer shall indemnify and hold Motorola and its officers, employees, subsidiaries, affiliates, and distributors harmless against all claims, costs, damages, and expenses, and reasonable attorney fees arising out of, directly or indirectly, any claim of personal injury or death associated with such unintended or unauthorized use, even if such claim alleges that Motorola was negligent regarding the design or manufacture of the part. Motorola and  registered trademarks of Motorola, Inc. Motorola, Inc. is an Equal Opportunity/Affirmative Action Employer.

#### How to reach us:

**USA/EUROPE/Locations Not Listed:** Motorola Literature Distribution;  
P.O. Box 20912; Phoenix, Arizona 85036. 1-800-441-2447 or 602-303-5454

**MFAX:** RMFAX0@email.sps.mot.com – TOUCHTONE 602-244-6609

**INTERNET:** <http://Design-NET.com>

**JAPAN:** Nippon Motorola Ltd.; Tatsumi-SPD-JLDC, 6F Seibu-Butsuryu-Center,  
3-14-2 Tatsumi Koto-Ku, Tokyo 135, Japan. 03-81-3521-8315

**ASIA/PACIFIC:** Motorola Semiconductors H.K. Ltd.; 8B Tai Ping Industrial Park,  
51 Ting Kok Road, Tai Po, N.T., Hong Kong. 852-26629298



LM340/D

