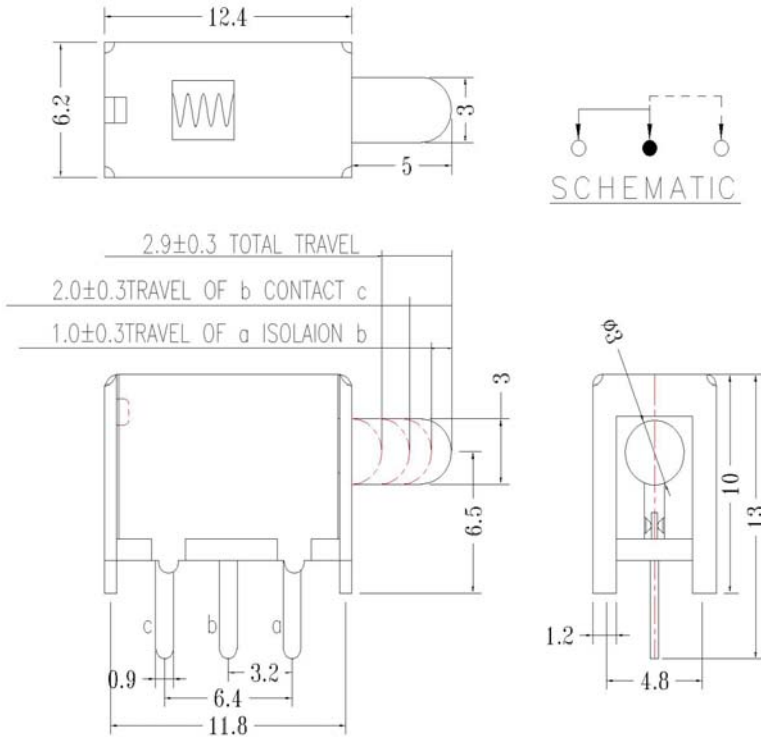


TSS-PS-12F03



SPECIFICATION:

1. RATING: DC 50V 30mA
2. CONTACT RESISTANCE: 100mΩ MAX. (INITIAL)
3. INSULATION RESISTANCE: 100MΩ MIN. AT 250V DC.
4. WITHSTAND VOLTAGE: AC 500V FOR 1 MIN
5. DIP SOLDERING: 230±5°C TEMPERATURE, 5±1 SECOND
6. MANUAL SOLDERING: 350±10°C TEMPERATURE, 3±1 SECOND
7. OPERATING FORCE: -20°C to +80°C
8. SWITCHING LIFE: 10,000 CYCLES

MODEL NO	H (mm)
TSS-PS-12F0	3

CODE	OPERATING FORCE (gf)
U	80gf ±30gf

No dimensional tolerances specified	
≤1	±0.1
1 ~ 10	±0.2
10 ~ 100	±0.3
>100	±0.5
Angle	±3°

Note: Specifications are subject to change without notice. For more detail and update, please visit our website.