

Description

The E4P miniature reflective encoder is designed to provide digital quadrature encoder feedback for high volume applications with limited space constraints. The E4P version utilizes an innovative, patented push-on encoder disk which accepts shaft diameters of 2mm to .250".

The E4P reflective encoder is the leader for high quantity OEM applications, but the E4 is the ideal choice when a set-screw encoder disk encoder is required (see the E4 page).

The E4P miniature encoder base provides mounting holes for two #3-48, length 1/4" or two M2.5x.45mm, length 6mm screws on a .586" bolt circle. When mounting holes are not available, a pre-applied transfer adhesive (with peel-off backing) is available for "stick-on" mounting.

The encoder cover is easily snapped onto the base and is embossed with the connector pin-out.

The E4P reflective series encoder can be connected by using a (high retention 4-conductor snap-in polarized 1.25mm pitch) connector. Mating cables and connectors (see the Cables / Connectors web page) are not included, and are available separately.



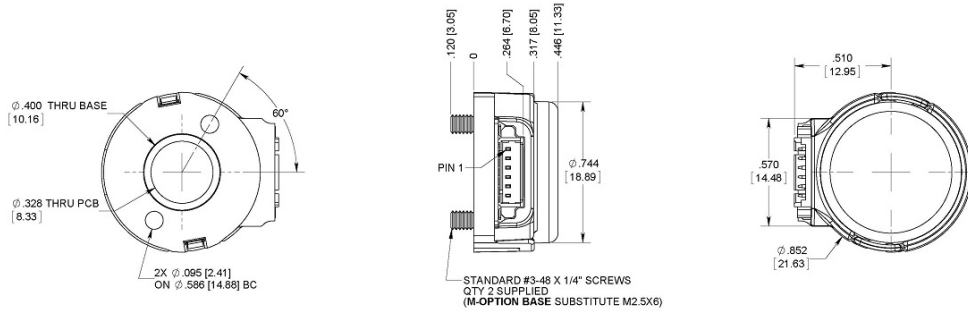
Features

- ▶ Miniature size
- ▶ Push-on hub - spring loaded collet design
- ▶ Minimum shaft length of .375"
- ▶ Fits shaft diameters of .079" to .250"
- ▶ Accepts +/- .020" Axial shaft play
- ▶ Off-axis mounting tolerance of .010"
- ▶ 100 to 360 cycles per revolution (CPR)
- ▶ 400 to 1440 pulses per revolution (PPR)
- ▶ Single +5V supply

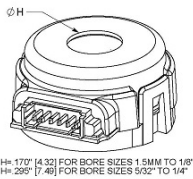
E4P Differential

E4P Differential OEM Miniature Optical Kit Encoder

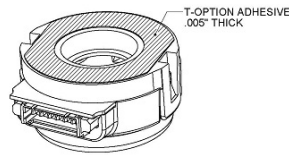
RELEASE DATE: 8/21/2011



H-OPTION COVER (COVER HOLE FOR EXTEND SHAFT LENGTHS)



T-OPTION BASE (ADHESIVE MOUNTING)



US DIGITAL 1400 NE 136th Avenue Vancouver, Washington 98684, USA

info@usdigital.com www.usdigital.com

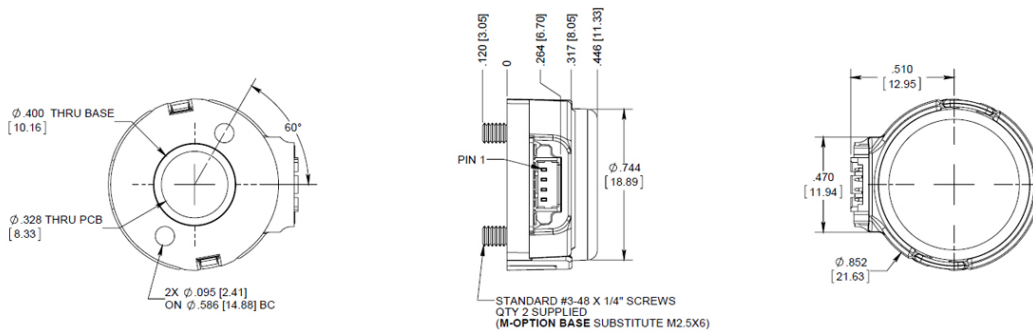
Local: 360.260.2468 Toll-free: 800.736.0194

UNITS: INCHES (MM) METRIC DIMENSIONS FOR REFERENCE ONLY

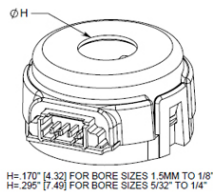
E4P Single Ended

E4P Single-Ended OEM Miniature Optical Kit Encoder

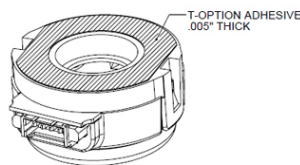
RELEASE DATE: 8/21/2011



H-OPTION COVER (COVER HOLE FOR EXTEND SHAFT LENGTHS)



T-OPTION BASE (ADHESIVE MOUNTING)



Environmental

Parameter	Value	Units
Vibration (5Hz to 2kHz)	20	G
Max. Relative Humidity	90	%
Storage Temperature	-40 to 100	C
Operating Temperature	-20 to 100	C
Electrostatic Discharge, IEC 61000-4-2		
Single-ended (S -option)	± 8	kV
Differential (D -option)	± 15	

Mechanical

Parameter	Value	Units
Max. Shaft Axial Play	± .020	in.
Max. Off-axis Mounting Tolerance	± .010	in.
Max. Acceleration	250000	rad/sec ²
Mounting Screw Size		
Default (D-option base)	#3-48 x 1/4"	
Metric (M-option base)	M2.5x.45mm, length 6mm	
Screw Bolt Circle Diameter	.586 ±.002	in.
Axial Length of Codewheel	.270	in.
Required Shaft Length (1)	.375 to .395	in.
Mounting Screw Torque	2-3	in-lbs
Technical Bulletin TB1001 - Shaft and Bore Tolerances		Download

(1) Includes axial play.

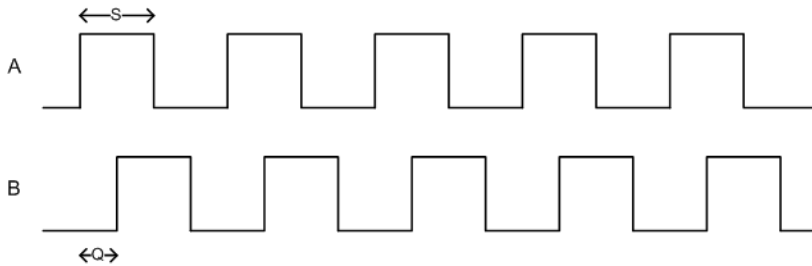
Single-ended Electrical

Specifications	Min.	Typ.	Max.	Units	Notes
Supply Voltage	4.5	5.0	5.5	V	
Supply Current		21	27	mA	no load
Low-level Output			0.4	V	IOL = 6 mA
High-level Output	2.4			V	IOH = -1 mA
Rise Time		500		ns	CL = 25 pF, RL = 2.7 kΩ
Fall Time		100		ns	

Differential Electrical

Specifications	Min.	Typ.	Max.	Units	Notes
Supply Voltage	4.5	5.0	5.5	V	
Supply Current		23	29	mA	no load
Single-Ended Output Voltage High	4.75	5.0		V	Min. @ 25mA load, Typ. @ no load
Single-Ended Output Voltage Low		0.25	0.60	V	Typ. @ no load, Max. @ 4.5mA load
Differential Output Voltage	3.0	3.8		V	RL = 100 ohm
Differential Output Rise/Fall Time			1300	ns	

Phase Relationship



Parameter	Typ.	Max.	Units
Symmetry, S	180 ± 16	180 ± 75	electrical degrees
Quadrature Delay, Q	90 ± 10	90 ± 60	electrical degrees

(1) A leads B for clockwise shaft rotation, B leads A for counter clockwise shaft rotation viewed from the cover/label side of the encoder.

(2) Typical values represent the encoder performance at typical mounting alignment, whereas the maximum values represent the encoder performance across the range of recommended mounting tolerance.

Pin-out

4-pin Single-ended (1)		6-pin Differential (2)	
Pin	Description	Pin	Description
1	+5VDC power	1	Ground
2	A channel	2	A channel
3	Ground	3	A- channel
4	B channel	4	+5VDC power
		5	B channel
		6	B- channel

- (1) 4-pin single-ended mating connector isCON-MIC4
- (2) 6-pin differential mating connector isCON-MIC6

Options

H-option (Hole In Cover)

The **H**-option adds a hole in the cover for the shaft to pass through:

- For shaft diameters of 1.5mm to 1/8", a 0.170" hole is supplied.
- For shaft diameters of 5/32" to 1/4", a 0.295" hole is supplied.

M-option (Metric Mounting Screws)

Provides alternate metric M2.5x.45mm, length 6mm screws. When **M**-option is NOT specified the default is #3-48 x 1/4" screws.

T-option (Transfer Adhesive)

When mounting holes are not available, a pre-applied transfer adhesive (with peel-off backing) is available for "stick-on" mounting. Use the centering tool (above) to position the base. **T**-option specifies transfer adhesive.

Before installation, cleaning the mounting surface with alcohol is recommended to remove dust and oil.

Assembly Instructions

Download the E4P Assembly Instructions.

<http://usdigital.com/assets/assembly/E4P Assembly Instructions.pdf>

Accessories

1. Centering Tool

The centering tool is only included with the **-3** packaging option. It has to be ordered separately for other package options.

Part #: MCTOOL - (Shaft Diameter)

Description: This reusable tool provides a simple method for accurately centering the **E4P** base onto the shaft. A centering tool is highly recommended when using the **T**-option transfer adhesive.

2. Spacer Tool

A spacer tool is included for all packaging options.

Part #: SPACER-E4P

Description: This reusable tool is used to properly space the codewheel from the encoder.

Ordering Information

E4P - - - - - - - -

CPR	Bore	Index	Output	Cover	Base	Packaging
100	079 =	N =No	S =Single	D =Default	D =Default	B =Encoder components packaged in bulk. One spacer tool per 100 encoders.
108	2mm	Index	Ended	H =Hole in Cover	M =Alternate metric screws	1 =Each encoder packaged individually with one spacer tool per 100 encoders.
120	091 =		D =Differential		M2.5x.45mm, length 6mm	2 =Each encoder packaged individually with one spacer tool per 100 encoders.
125	2.3mm				T =Transfer Adhesive	3 =Each encoder packaged individually with one spacer tool and one centering tool per encoder.
128	098 =					
200	2.5mm					
250	118 =					
256	3mm					
300	125 = 1/8"					
360	157 =					
	4mm					
	188 =					
	3/16"					
	197 =					
	5mm					
	236 =					
	6mm					
	250 = 1/4"					

Notes

- Cables and connectors are not included and must be ordered separately.
- US Digital warrants its products against defects in materials and workmanship for two years. See complete warranty for details.