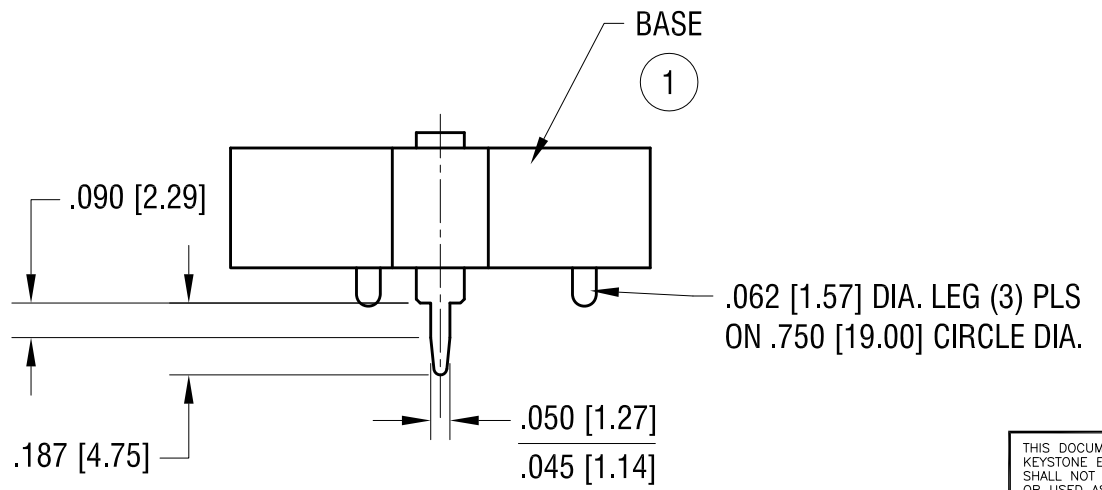
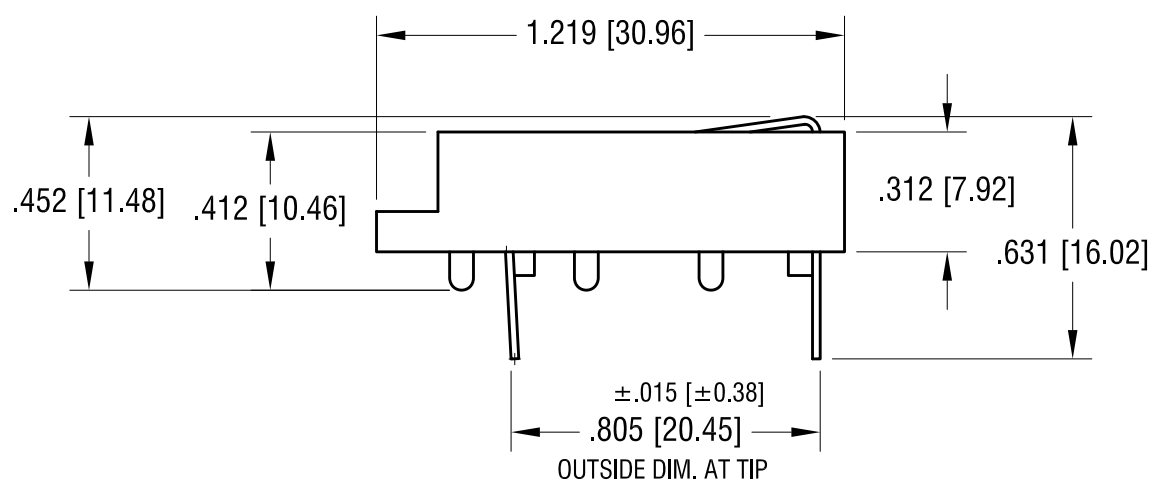
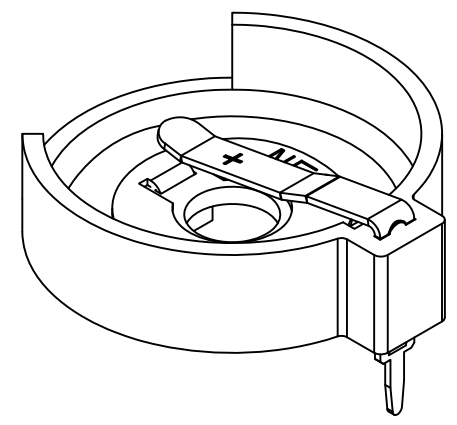
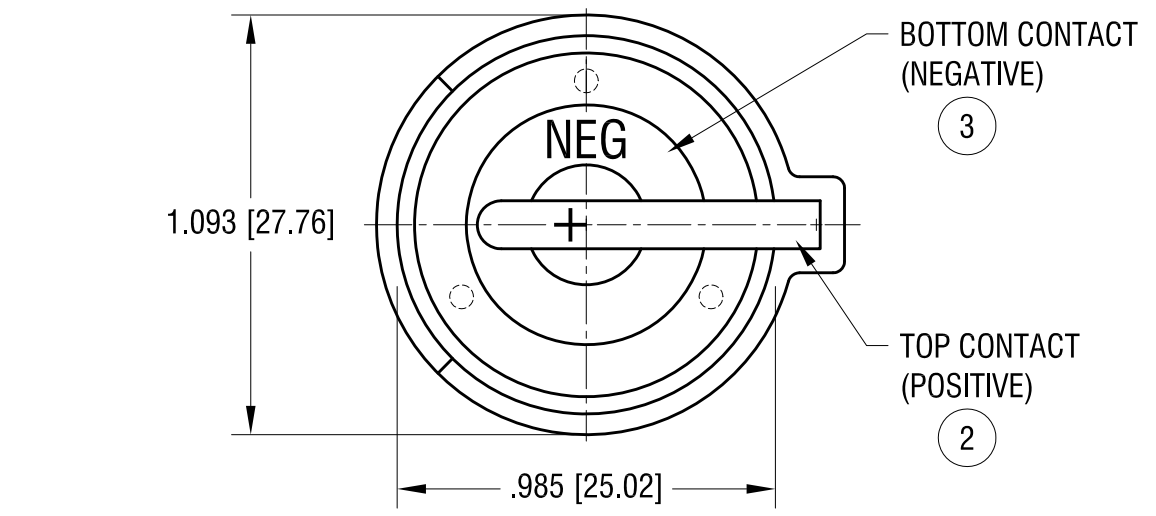
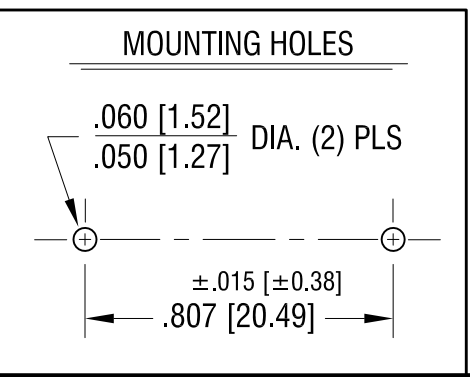


DATE	DESCRIPTION	REV.
9.20.04	CHANGE AS PER ECN 04-115	C
11.2.11	CHANGE AS PER ECN 11-147	D



THIS DOCUMENT IS THE PROPERTY OF KEYSTONE ELECTRONICS CORP. AND SHALL NOT BE REPRODUCED, DISTRIBUTED OR USED AS A BASIS FOR MANUFACTURE WITHOUT PRIOR WRITTEN PERMISSION FROM KEYSTONE ELECTRONICS CORP.



ITEM	DESCRIPTION	MATERIAL/FINISH
1	BASE BLACK	PBT (UL 94V-0)
2	TOP CONTACT	SPRING STEEL .020 [0.50] TH'K
3	BOTTOM CONTACT	TIN NICKEL PLATE

KEYSTONE ELECTRONICS CORP.
www.keyelco.com • ASTORIA, N.Y. 11105-2017 • Tel (718) 956-8900

PART NAME
COIN CELL PC BATTERY HOLDER

MATERIAL
AS NOTED

FINISH
AS NOTED

DRN BY BOONE DATE 8.15.84
APPD LN SCALE 2X

TOLERANCES INCH [MM]
DECIMAL ±.010 [±0.25]
ANGULAR ± 1°
UNLESS OTHERWISE SPECIFIED

CODE
C

DWG NO.
1025