

TL493, TL494, TL495 PULSE-WIDTH-MODULATION CONTROL CIRCUITS

D2535, JANUARY 1983—REVISED OCTOBER 1988

- Complete PWM Power Control Circuitry
- Uncommitted Outputs for 200-mA Sink or Source Current
- Output Control Selects Single-Ended or Push-Pull Operation
- Internal Circuitry Prohibits Double Pulse at Either Output
- Variable Dead-Time Provides Control over Total Range
- Internal Regulator Provides a Stable 5-V Reference Supply, 5%
- Circuit Architecture Allows Easy Synchronization
- TL493 has Output Current-Limit Sensing
- TL495 has On-Chip 39-V Zener and External Control of Output Steering

description

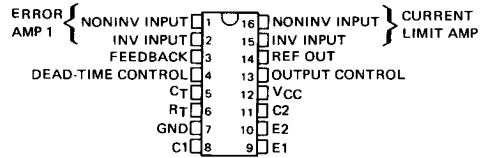
The TL493, TL494, and TL495 each incorporate on a single monolithic chip all the functions required in the construction of a pulse-width-modulation control circuit. Designed primarily for power supply control, these devices offer the systems engineer the flexibility to tailor the power supply control circuitry to his application.

The TL493 contains an error amplifier, current-limiting amplifier, an on-chip adjustable oscillator, a dead-time control comparator, pulse-steering control flip-flop, a 5-volt, 5%-precision regulator, and output-control circuits.

The error amplifier exhibits a common-mode voltage range from -0.3 volts to $V_{CC} - 2$ volts. The current-limit amplifier exhibits a common-mode voltage range from -0.3 volts to 3 volts with an offset voltage of approximately 80 millivolts in series with the inverting input to ease circuit design requirements. The dead-time control comparator has a fixed offset that provides approximately 5% dead time when externally altered. The on-chip oscillator may be bypassed by terminating R_T (pin 6) to the reference output and providing a sawtooth input to C_T (pin 5), or it may be used to drive the common circuits in synchronous multiple-rail power supplies.

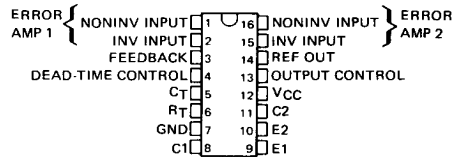
TL493C . . . D OR N PACKAGE

(TOP VIEW)



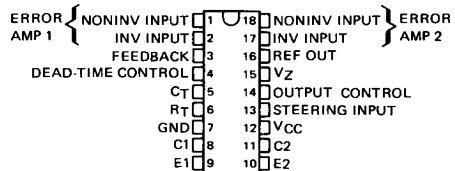
TL494I, TL494C . . . D, J, OR N PACKAGE

(TOP VIEW)



TL495C . . . N PACKAGE

(TOP VIEW)



DEVICE TYPES, SUFFIX VERSIONS, AND PACKAGES

	TL493	TL494	TL495
TL49-I	*	D, J, N	*
TL49-C	D, N	D, J, N	N

*These combinations are not defined by this data sheet.

FUNCTION TABLE

INPUTS		OUTPUT FUNCTION
OUTPUT CONTROL	STEERING INPUT (TL495 only)	
$V_I = 0$	Open	Single-ended or parallel output
$V_I = V_{ref}$	Open	Normal push-pull operation
$V_I = V_{ref}$	$V_I = 0$	PWM Output at Q1
$V_I = V_{ref}$	$V_I = V_{ref}$	PWM Output at Q2

PRODUCTION DATA documents contain information current as of publication date. Products conform to specifications per the terms of Texas Instruments standard warranty. Production processing does not necessarily include testing of all parameters.

TEXAS
INSTRUMENTS

POST OFFICE BOX 655012 • DALLAS, TEXAS 75265

Copyright © 1983, Texas Instruments Incorporated

2-123

TL493, TL494, TL495 PULSE-WIDTH-MODULATION CONTROL CIRCUITS

description (continued)

The uncommitted output transistors provide either common-emitter or emitter-follower output capability. Each device provides for push-pull or single-ended output operation, which may be selected through the output-control function. The architecture of these devices prohibits the possibility of either output being pulsed twice during push-pull operation.

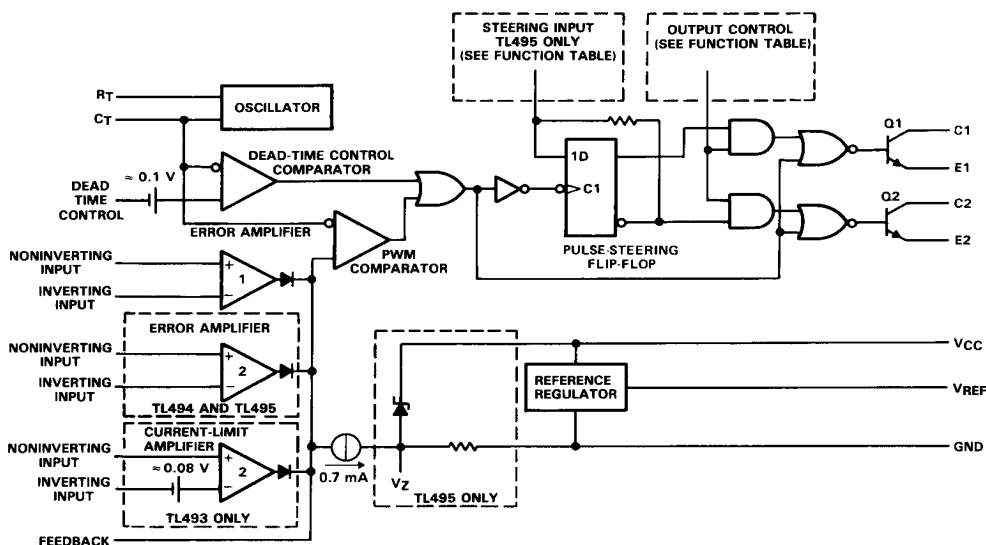
The TL493 and TL494 are similar except that an additional error amplifier is included in the TL494 instead of a current-limiting amplifier. The TL495 provides the identical functions found in the TL494. In addition, it contains an on-chip 39-volt diode for high-voltage applications where V_{CC} is greater than 40 volts, and an output-steering control that overrides the internal control of the pulse-steering flip-flop.

The TL494I is characterized for operation from -25°C to 85°C . The TL493C, TL494C, and TL495C are characterized for operation from 0°C to 70°C .

2

Data Sheets

functional block diagram



TL493, TL494, TL495 PULSE-WIDTH-MODULATION CONTROL CIRCUITS

2
Data Sheets

absolute maximum ratings over operating free-air temperature range (unless otherwise noted)

	TL494I	TL493C TL494C	TL495C	UNIT
Supply voltage, V_{CC} (see Note 1)	41	41	41	V
Amplifier input voltage	$V_{CC} + 0.3$	$V_{CC} + 0.3$	$V_{CC} + 0.3$	V
Collector output voltage	41	41	41	V
Collector output current	250	250	250	mA
Continuous total dissipation	See Dissipation Rating Table			
Operating free-air temperature range	-25 to 85	0 to 70	0 to 70	°C
Storage temperature range	-65 to 150	-65 to 150	-65 to 150	°C
Lead temperature 1,6 mm (1/16 inch) from case for 60 seconds: J package	300	300	300	°C
Lead temperature 1,6 mm (1/16 inch) from case for 10 seconds: D or N package	260	260	260	°C

NOTE 1: All voltage values, except differential voltages, are with respect to the network ground terminal.

DISSIPATION RATING TABLE

PACKAGE	$T_A \leq 25^\circ\text{C}$ POWER RATING	DERATING FACTOR	DERATE ABOVE T_A	$T_A = 70^\circ\text{C}$ POWER RATING	$T_A = 85^\circ\text{C}$ POWER RATING
D	900	7.6 mW/°C	25°C	608 mW	494 mW
J	1000	8.2 mW/°C	28°C	656 mW	533 mW
N	1000	9.2 mW/°C	41°C	736 mW	598 mW

recommended operating conditions

	TL494I		TL493C TL494C TL495C		UNIT
	MIN	MAX	MIN	MAX	
Supply voltage, V_{CC}	7	40	7	40	V
Amplifier input voltages, V_I	-0.3	$V_{CC} - 2$	-0.3	$V_{CC} - 2$	V
Collector output voltage, V_O		40		40	V
Collector output current (each transistor)		200		200	mA
Current into feedback terminal		0.3		0.3	mA
Timing capacitor, C_T	0.47	10 000	0.47	10 000	nF
Timing resistor, R_T	1.8	500	1.8	500	kΩ
Oscillator frequency	1	300	1	300	kHz
Operating free-air temperature, T_A	-25	85	0	70	°C

TL493, TL494, TL495 PULSE-WIDTH-MODULATION CONTROL CIRCUITS

electrical characteristics over recommended operating free-air temperature range, $V_{CC} = 15\text{ V}$, $f = 10\text{ kHz}$ (unless otherwise noted)

reference section

PARAMETER	TEST CONDITIONS†	TL493C TL494I, TL494C TL495C			UNIT
		MIN	TYP‡	MAX	
Output voltage (V_{ref})	$I_Q = 1\text{ mA}$	4.75	5	5.25	V
Input regulation	$V_{CC} = 7\text{ V to }40\text{ V}$		2	25	mV
Output regulation	$I_Q = 1\text{ to }10\text{ mA}$		1	15	mV
Output voltage change with temperature	$\Delta T_A = \text{MIN to MAX}$		0.2%	1%	
Short-circuit output current§	$V_{ref} = 0$		35		mA

2

Data Sheets

oscillator section (see Figure 1)

PARAMETER	TEST CONDITIONS†	TL493C TL494I, TL494C TL495C			UNIT
		MIN	TYP‡	MAX	
Frequency	$C_T = 0.01\ \mu\text{F}$, $R_T = 12\text{ k}\Omega$		10		kHz
Standard deviation of frequency¶	All values of V_{CC} , C_T , R_T , and T_A constant		10%		
Frequency change with voltage	$V_{CC} = 7\text{ V to }40\text{ V}$, $T_A = 25^\circ\text{C}$		0.1%		
Frequency change with temperature#	$C_T = 0.01\ \mu\text{F}$, $R_T = 12\text{ k}\Omega$, $\Delta T_A = \text{MIN to MAX}$			1%	

amplifier sections (see Figure 2)

PARAMETER		TEST CONDITIONS	MIN	TYP‡	MAX	UNIT
Input offset voltage	Error					
	Current-limit (TL493 only)	80				
Input offset current		V_O (pin 3) = 2.5 V		25	250	nA
Input bias current		V_O (pin 3) = 2.5 V		0.2	1	μA
Common-mode input voltage range	Error	$V_{CC} = 7\text{ V to }40\text{ V}$		-0.3 to $V_{CC} - 2$		V
	Current limit (TL493 only)			-0.3 to 3		
Open-loop voltage amplification	Error	$\Delta V_O = 3\text{ V}$, $R_L = 2\text{ k}\Omega$, $V_O = 0.5\text{ V to }3.5\text{ V}$		70	95	dB
	Current-limit (TL493 only)			90		
Unity-gain bandwidth		$V_O = 0.5\text{ V to }3.5\text{ V}$, $R_L = 2\text{ k}\Omega$		800		kHz
Common-mode rejection ratio	Error	$\Delta V_O = 40\text{ V}$, $T_A = 25^\circ\text{C}$		65	80	dB
	Current-limit (TL493 only)			70		
Output sink current (pin 3)		$V_{JD} = -15\text{ mV to }-5\text{ V}$, V (pin 3) = 0.7 V		0.3	0.7	mA
Output source current (pin 3)		$V_{JD} = 15\text{ mV to }5\text{ V}$, V (pin 3) = 3.5 V		-2		mA

† For conditions shown as MIN or MAX, use the appropriate value specified under recommended operating conditions.

‡ All typical values except for parameter changes with temperature are at $T_A = 25^\circ\text{C}$.

§ Duration of the short-circuit should not exceed one second.

¶ Standard deviation is a measure of the statistical distribution about the mean as derived from the formula $\sigma = \sqrt{\frac{\sum (x_n - \bar{X})^2}{n - 1}}$

Temperature coefficient of timing capacitor and timing resistor not taken into account.

TL493, TL494, TL495
PULSE-WIDTH-MODULATION CONTROL CIRCUITS

electrical characteristics over recommended operating free-air temperature range, $V_{CC} = 15\text{ V}$, $f = 10\text{ kHz}$ (unless otherwise noted)

output section

PARAMETER	TEST CONDITIONS	TL493C TL494I, TL494C TL495C			UNIT
		MIN	TYP†	MAX	
Collector off-state current	$V_{CE} = 40\text{ V}$, $V_{CC} = 40\text{ V}$		2	100	μA
Emitter off-state current	$V_{CC} = V_C = 40\text{ V}$, $V_E = 0$			-100	μA
Collector-emitter saturation voltage	Common-emitter $V_E = 0$, $I_C = 200\text{ mA}$		1.1	1.3	V
	Emitter-follower $V_C = 15\text{ V}$, $I_E = -200\text{ mA}$		1.5	2.5	
Output control input current	$V_I = V_{ref}$			3.5	mA

dead-time control-section (see Figure 1)

PARAMETER	TEST CONDITIONS	MIN	TYP	MAX	UNIT
Input bias current (pin 4)	$V_I = 0\text{ to }5.25\text{ V}$		-2	-10	μA
Maximum duty cycle, each output	V_I (pin 4) = 0, $C_T = 0.1\ \mu\text{F}$, $R_T = 12\ \text{k}\Omega$		45%		
Input threshold voltage (pin 4)	Zero duty cycle		3	3.3	V
	Maximum duty cycle	0			

pwm comparator section (see Figure 1)

PARAMETER	TEST CONDITIONS	MIN	TYP†	MAX	UNIT
Input threshold voltage (pin 3)	Zero duty cycle		4	4.5	V
Input sink current (pin 3)	V (pin 3) = 0.7 V	0.3	0.7		mA

steering control (TL495 only)

PARAMETER	TEST CONDITIONS	MIN	MAX	UNIT
Input current	$V_I = 0.4\text{ V}$		-200	μA
	$V_I = 2.4\text{ V}$		200	

zener-diode circuit (TL495 only)

PARAMETER	TEST CONDITIONS	MIN	TYP†	MAX	UNIT
Breakdown voltage	$V_{CC} = 41\text{ V}$, $I_Z = 2\text{ mA}$		39		V
Sink current	V_I (pin 15) = 1 V		0.3		mA

total device

PARAMETER	TEST CONDITIONS	MIN	TYP†	MAX	UNIT
Standby supply current	Pin 6 at V_{ref} , All other inputs and outputs open	$V_{CC} = 15\text{ V}$	6	10	mA
	$V_{CC} = 40\text{ V}$	9	15		
Average supply current	V_I (pin 4) = 2 V, See Figure 1		7.5		mA

switching characteristics, $T_A = 25^\circ\text{C}$

PARAMETER	TEST CONDITIONS	MIN	TYP†	MAX	UNIT
Output voltage rise time	Common-emitter configuration, See Figure 3		100	200	ns
Output voltage fall time		25	100	ns	
Output voltage rise time	Emitter-follower configuration, See Figure 4		100	200	ns
Output voltage fall time		40	100	ns	

†All typical values except for temperature coefficient are at $T_A = 25^\circ\text{C}$.

2
Data Sheets



**TL493, TL494, TL495
PULSE-WIDTH-MODULATION CONTROL CIRCUITS**

2
Data Sheets

PARAMETER MEASUREMENT INFORMATION

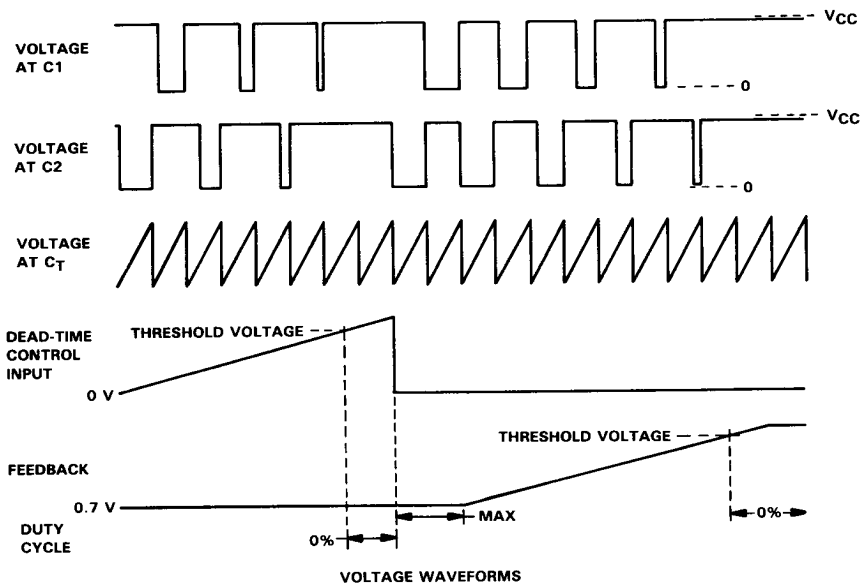
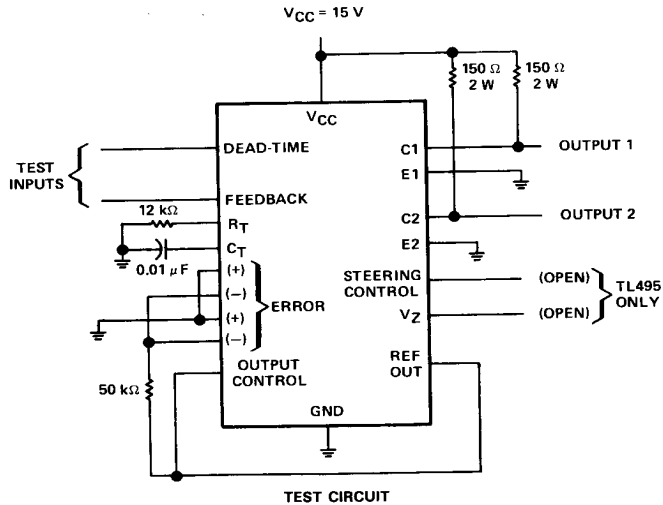


FIGURE 1. OPERATIONAL TEST CIRCUIT AND WAVEFORMS

PARAMETER MEASUREMENT INFORMATION

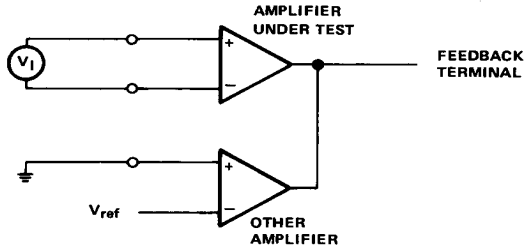
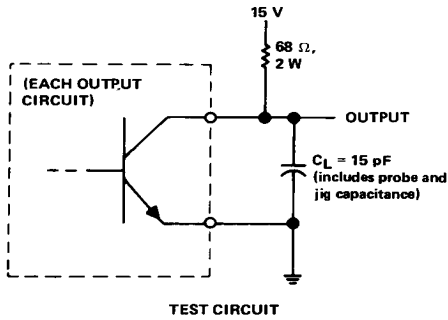
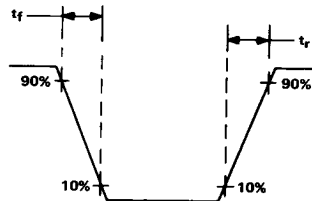


FIGURE 2. AMPLIFIER CHARACTERISTICS

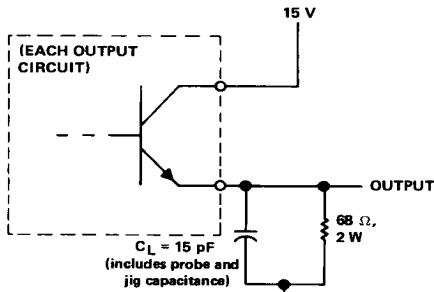


TEST CIRCUIT

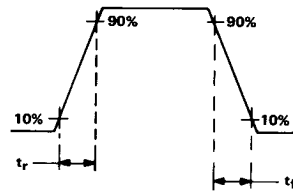


OUTPUT VOLTAGE WAVEFORM

FIGURE 3. COMMON-EMITTER CONFIGURATION



TEST CIRCUIT



OUTPUT VOLTAGE WAVEFORM

FIGURE 4. EMITTER-FOLLOWER CONFIGURATION

TYPICAL CHARACTERISTICS

OSCILLATOR FREQUENCY AND
FREQUENCY VARIATION[†] vs
TIMING RESISTANCE

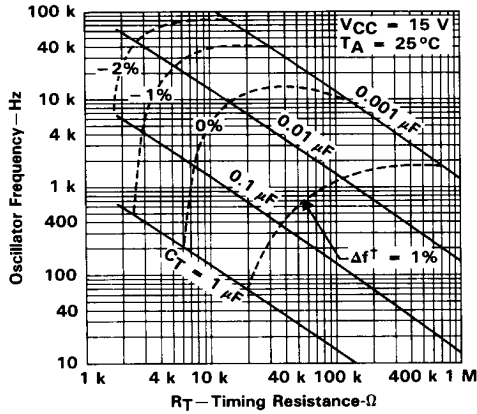


FIGURE 5

AMPLIFIER VOLTAGE AMPLIFICATION
vs
FREQUENCY

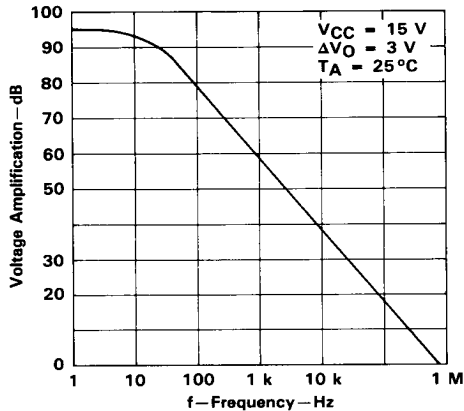


FIGURE 6

[†]Frequency variation (Δf) is the change in oscillator frequency that occurs over the full temperature range.

This datasheet has been downloaded from:

www.DatasheetCatalog.com

Datasheets for electronic components.

Texas Instruments

<http://www.ti.com>

This file is the datasheet for the following electronic components:

TL495C - <http://www.ti.com/product/tl495c?HQS=TI-null-null-dscatalog-df-pf-null-ww>

TL493CD - <http://www.ti.com/product/tl493cd?HQS=TI-null-null-dscatalog-df-pf-null-ww>

TL495CN - <http://www.ti.com/product/tl495cn?HQS=TI-null-null-dscatalog-df-pf-null-ww>

TL493 - <http://www.ti.com/product/tl493?HQS=TI-null-null-dscatalog-df-pf-null-ww>

TL495 - <http://www.ti.com/product/tl495?HQS=TI-null-null-dscatalog-df-pf-null-ww>

TL494IJ - <http://www.ti.com/product/tl494ij?HQS=TI-null-null-dscatalog-df-pf-null-ww>

TL493CN - <http://www.ti.com/product/tl493cn?HQS=TI-null-null-dscatalog-df-pf-null-ww>