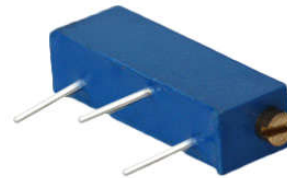
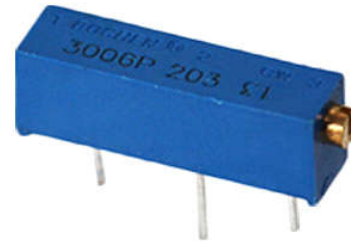
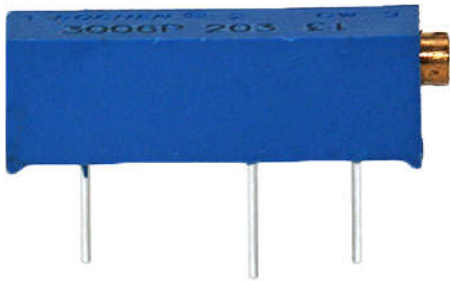




## 3006P



### Multi-Turn Cermet trimmer Potentiometer

#### Short Description:

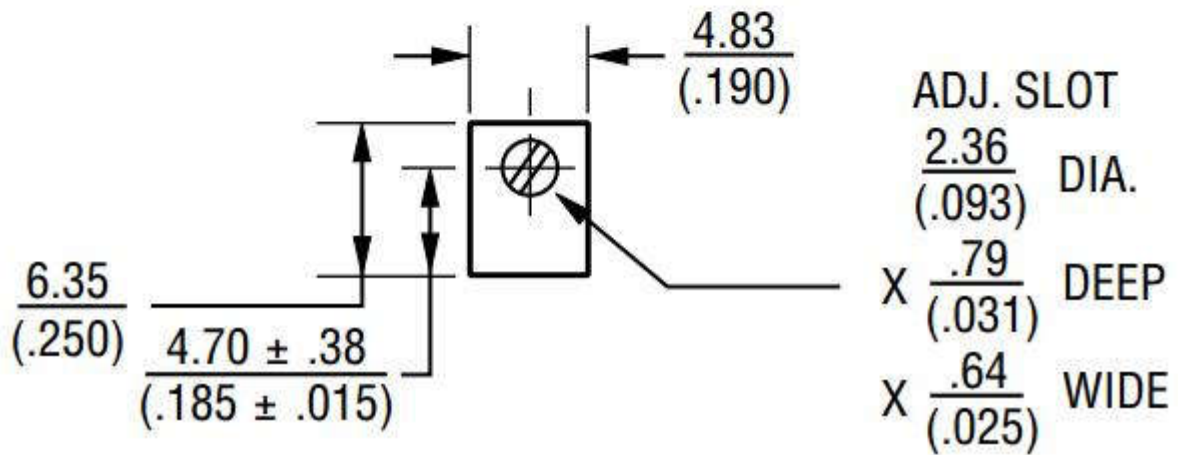
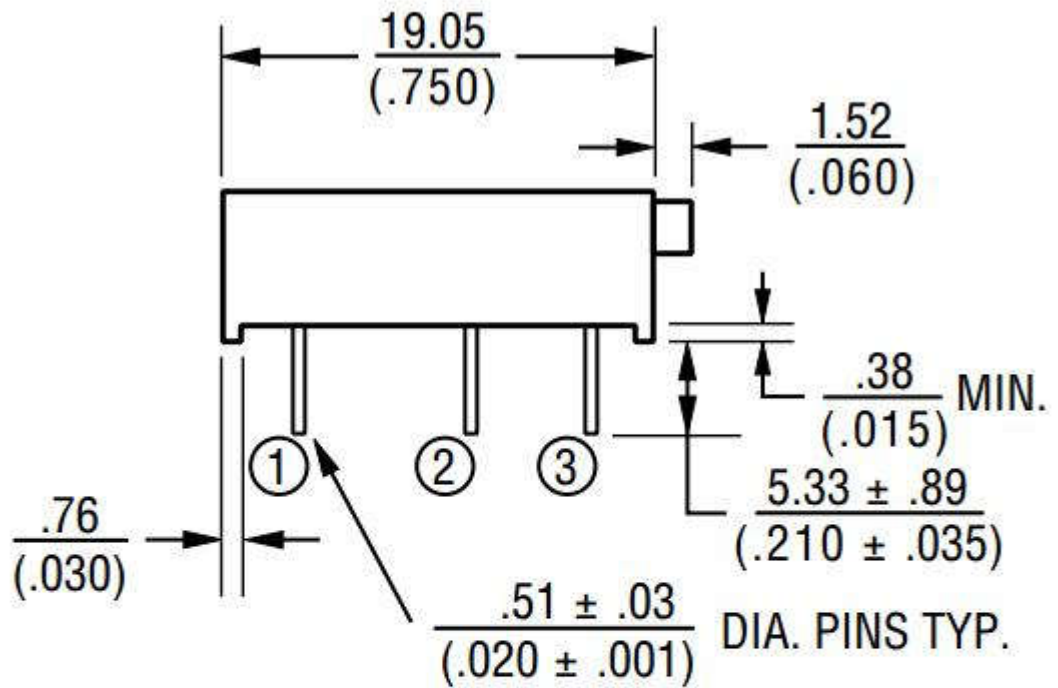
Cermet Trimmer 3006P Electrical Characteristics Standard Resistance Range  $10\Omega\sim 5M\Omega$  Resistance Tolerance  $\pm 10\%$   $\pm 5\%$  (customization) Terminal Resistance  $\leq 1\%R$  or  $2\Omega$  Insulation Resistance  $R_1 \geq 1G\Omega$  Rated Power  $0.75W$  ( $315V$  max) Withstand Voltage  $101.3kPa$   $600V$   $8.5kPa$   $350V$  Contact Resistance Variation (CRV)  $\leq 3\%R$  or  $3\Omega$  Effective Electrical Travel  $22 \pm 2$  cycles Environment Characteristics Temperature Range  $-55^\circ C \sim +125^\circ C$  Temperature Coefficient  $\pm 250, \pm 100ppm/^\circ C$  Collision (390...

PRODUCT DETAIL

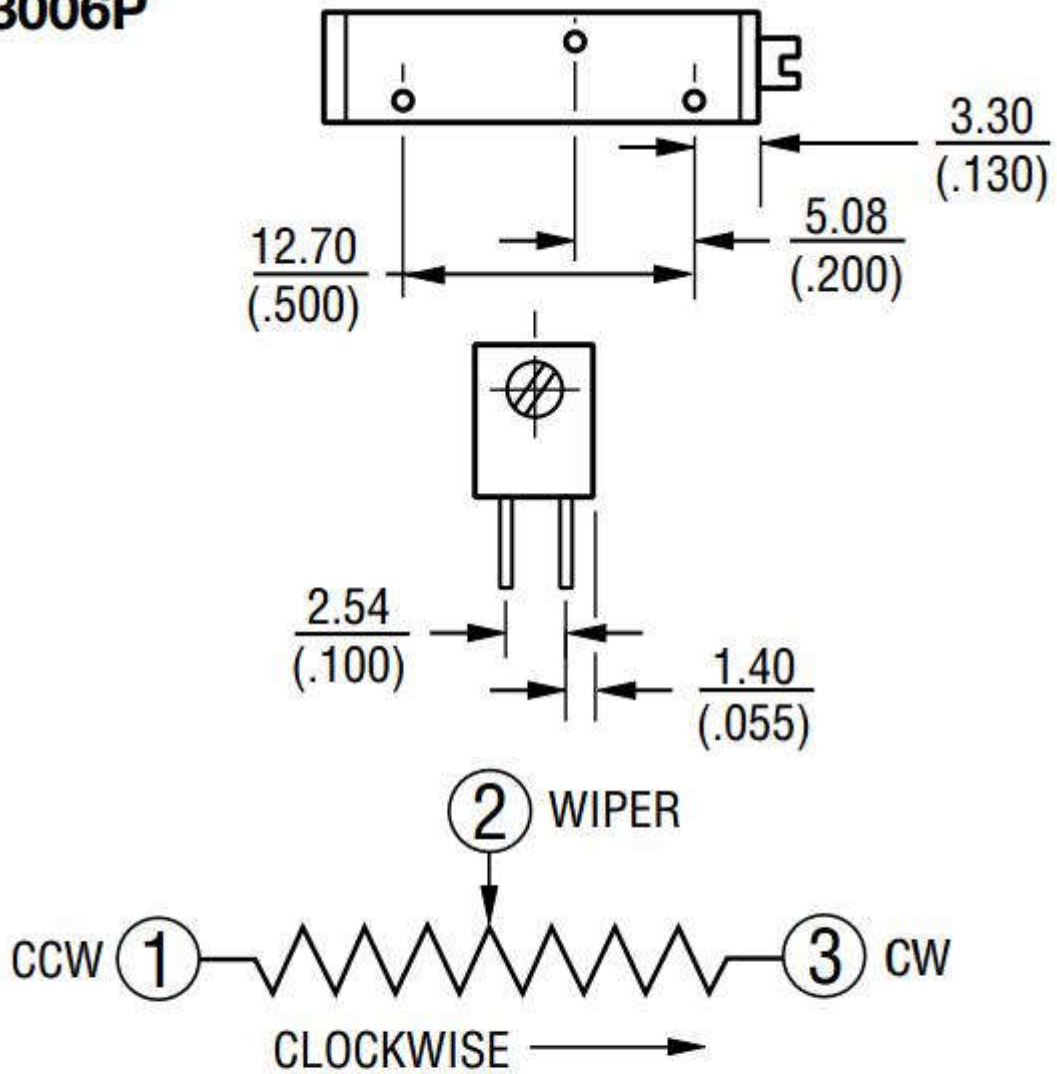
**Cermet Trimmer 3006P**

Electrical Characteristics	Standard Resistance Range	10Ω~5MΩ
	Resistance Tolerance	±10% ±5% (customization)
	Terminal Resistance	≤1%R or 2Ω
	Insulation Resistance	R1≥ 1GΩ
	Rated Power	0.75W ( 315V max)
	Withstand Voltage	101.3kPa 600V 8.5kPa 350V
	Contact Resistance Variation (CRV)	≤3%R or 3Ω
	Effective Electrical Travel	22±2 cycles
Environment Characteristics	Temperature Range	-55°C~+125°C
	Temperature Coefficient	±250, ±100ppm/°C
	Collision (390m/S <sup>2</sup> , 4000 times)	ΔR≤±1%R
	Vibration (10-500HZ, 0.75mm or 98m/ <sup>^</sup> 6h)	ΔR≤±1%R, ΔUab/Uac≤±2%R
	Temperature Variation	ΔR≤±1%R,ΔUab/Uac≤±1%R
	Climate Category	ΔR≤± 3%R, R1≥100MΩ
	Electrical Endurance (70°C,0.75W,1000h)	ΔR≤± 3%R
	Mechanical Endurance (200 cycles)	ΔR≤± 3%R
	Steady Damp-Heat	ΔR≤± 3%R, R1≥100MΩ
Physical Characteristics	Total Mechanical Travel	22±2 cycles
	Starting Torque	≤30mN.m
	Clutch Torque	≤30mN.m

# Common Dimensions



**3006P**



---

DIMENSIONS:  $\frac{\text{MM}}{\text{(INCHES)}}$

TOLERANCES:  $\pm \frac{0.25}{(.010)}$  EXCEPT WHERE NOTED

---