

RDA6625 Front-end Module

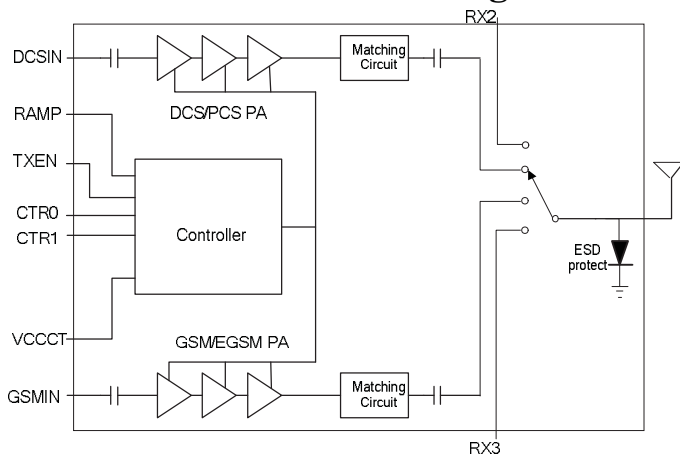
The RDA6625 is a high-power, high-efficiency quad-band front-end Module. This device is designed for GSM850, EGSM900, DCS1800, PCS1900 handheld digital cellular equipment. The module consists of quad band power amplifiers and antenna switch. The power amplifiers, switch and their controller are fabricated with GaAs HBT and CMOS respectively.

The device package is 5mm×5mm×1.1mm 32-pins LGA. The input and output are realized on-chip matched to 50Ω. The RDA6625 requires few external components, simplifying PCB layout and reducing PCB board space.

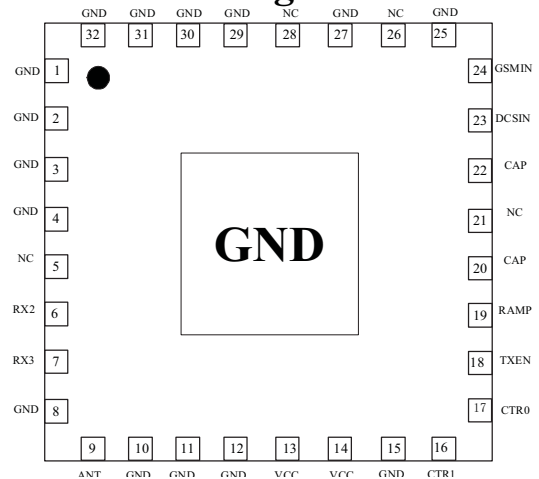
Features

- Ultra-Small 5mm×5mm Package
- Quad-Band Power Amplifier with RF switches
- ESD protection at Antenna
- Complete Power Control Solution
- High efficiency
- Low supply voltage (3~4.5V)
- Input/Output matched @ 50 Ω
- Advanced HBT/CMOS process

Function Block Diagram



Pin Assignment



Pin Name definition

Pin	Pin Name	Description	Pin	Pin Name	Description
1~4	GND	Ground	18	TXEN	TX enable pin
5	NC	Reserved	19	RAMP	Ramp control pin
6	RX2	RX port	20	CAP	Connected capacitor
7	RX3	RX port	21	NC	Reserved
8	GND	Ground	22	CAP	Connected capacitor
9	ANT	Antenna port	23	DCSIN	DCS/PCS RF input port
10~12	GND	Ground	24	GSMIN	GSM/EGSM RF input port
13~14	VCC	Power supply	25	GND	Ground
15	GND	Ground	26,28	NC	Reserved
16	CTR1	Control logic pin	27	GND	Ground
17	CTR0	Control logic pin	29~32	GND	Ground