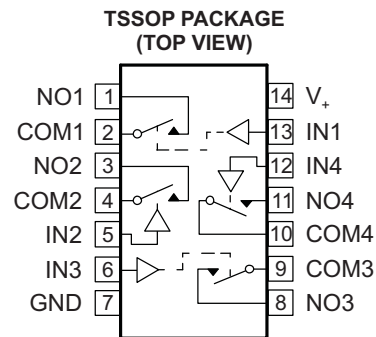


## FEATURES

- **Low ON-State Resistance ( $r_{on}$ )**
  - 0.9 Ω Max (3-V Supply)
  - 1.5 Ω Max (1.8-V Supply)
- **$r_{on}$  Flatness: 0.4 Ω Max (3-V)**
- **$r_{on}$  Matching**
  - 0.05 Ω Max (3-V Supply)
  - 0.25 Ω Max (1.8-V Supply)
- **1.6-V to 3.6-V Single-Supply Operation**
- **1.8-V CMOS Logic Compatible (3-V Supply)**
- **High Current-Handling Capacity (100 mA Continuous)**
- **Fast Switching:  $t_{ON} = 14$  ns,  $t_{OFF} = 9$  ns**
- **ESD Protection Exceeds JESD-22**
  - 4000-V Human Body Model (A114-A)
  - 300-V Machine Model (A115-A)
  - 1000-V Charged Device Model (C101)

## APPLICATIONS

- Power Routing
- Battery Powered Systems
- Audio and Video Signal Routing
- Low-Voltage Data-Acquisition Systems
- Communications Circuits
- PCMCIA Cards
- Cellular Phones
- Modems
- Hard Drives



## DESCRIPTION/ORDERING INFORMATION

The TS3A4751 is a low ON-state resistance ( $r_{on}$ ), low-voltage, quad, single-pole/single-throw (SPST) analog switch that operates from a single 1.6-V to 3.6-V supply. This device has fast switching speeds, handles rail-to-rail analog signals, and consumes very low quiescent power.

The digital input is 1.8-V CMOS compatible when using a single 3-V supply.

The TS3A4751 has four normally open (NO) switches. The TS3A4751 is available in a 14-pin thin shrink small-outline package (TSSOP).

## ORDERING INFORMATION

$T_A$	PACKAGE <sup>(1)</sup>		ORDERABLE PART NUMBER	TOP-SIDE MARKING
–40°C to 85°C	TSSOP – PWR	Reel of 2000	TS3A4751PWR	YC751

(1) Package drawings, standard packing quantities, thermal data, symbolization, and PCB design guidelines are available at [www.ti.com/sc/package](http://www.ti.com/sc/package).

## FUNCTION TABLE

IN	NO TO COM, COM TO NO
L	OFF
H	ON



Please be aware that an important notice concerning availability, standard warranty, and use in critical applications of Texas Instruments semiconductor products and disclaimers thereto appears at the end of this data sheet.

**Absolute Maximum Ratings**<sup>(1)</sup>

over operating free-air temperature range (unless otherwise noted)

		MIN	MAX	UNIT
$V_+$	Supply voltage range referenced to GND <sup>(2)</sup>	–0.3	4	V
$V_{NO}$ $V_{COM}$ $V_{IN}$	Analog and digital voltage range	–0.3	$V_+ + 0.3$	V
$I_{NO}$ $I_{COM}$	On-state switch current $V_{NO}, V_{COM} = 0$ to $V_+$	–100	100	mA
$I_+$ $I_{GND}$	Continuous current through $V_+$ or GND		±100	mA
	Peak current pulsed at 1 ms, 10% duty cycle COM, $V_{IO}$		±200	mA
$\theta_{JA}$	Package thermal impedance <sup>(3)</sup>		88	°C/W
$T_A$	Operating temperature range	–40	85	°C
$T_J$	Junction temperature		150	°C
$T_{stg}$	Storage temperature range	–65	150	°C

(1) Stresses beyond those listed under "absolute maximum ratings" may cause permanent damage to the device. These are stress ratings only, and functional operation of the device at these or any other conditions beyond those indicated under "recommended operating conditions" is not implied. Exposure to absolute-maximum-rated conditions for extended periods may affect device reliability.

(2) Signals on COM or NO exceeding  $V_+$  or GND are clamped by internal diodes. Limit forward diode current to maximum current rating.

(3) The package thermal impedance is measured in accordance with JESD 51-7.

**Electrical Characteristics for 3-V Supply<sup>(1)(2)</sup>**

$V_+ = 2.7\text{ V to }3.6\text{ V}$ ,  $T_A = -40^\circ\text{C to }85^\circ\text{C}$ ,  $V_{IH} = 1.4\text{ V}$ ,  $V_{IL} = 0.5\text{ V}$  (unless otherwise noted).

PARAMETER	SYMBOL	TEST CONDITIONS	$T_A$	MIN	TYP <sup>(3)</sup>	MAX	UNIT
<b>Analog Switch</b>							
Analog signal range	$V_{COM}, V_{NO}$			0		$V_+$	V
ON-state resistance	$r_{on}$	$V_+ = 2.7\text{ V}, I_{COM} = -100\text{ mA}, V_{NO} = 1.5\text{ V}$	25°C		0.7	0.9	Ω
			Full			1.1	
ON-state resistance match between channels <sup>(4)</sup>	$\Delta r_{on}$	$V_+ = 2.7\text{ V}, I_{COM} = -100\text{ mA}, V_{NO} = 1.5\text{ V}$	25°C		0.03	0.05	Ω
			Full			0.15	
ON-state resistance flatness <sup>(5)</sup>	$r_{on(Flat)}$	$V_+ = 2.7\text{ V}, I_{COM} = -100\text{ mA}, V_{NO} = 1\text{ V}, 1.5\text{ V}, 2\text{ V}$	25°C		0.23	0.4	Ω
			Full			0.5	
NO OFF leakage current <sup>(6)</sup>	$I_{NO(OFF)}$	$V_+ = 3.6\text{ V}, V_{COM} = 0.3\text{ V}, 3\text{ V}, V_{NO} = 3\text{ V}, 0.3\text{ V}$	25°C	-2	1	2	nA
			Full	-18		18	
COM OFF leakage current <sup>(6)</sup>	$I_{COM(OFF)}$	$V_+ = 3.6\text{ V}, V_{COM} = 0.3\text{ V}, 3\text{ V}, V_{NO} = 3\text{ V}, 0.3\text{ V}$	25°C	-2	1	2	nA
			Full	-18		18	
COM ON leakage current <sup>(6)</sup>	$I_{COM(ON)}$	$V_+ = 3.6\text{ V}, V_{COM} = 0.3\text{ V}, 3\text{ V}, V_{NO} = 0.3\text{ V}, 3\text{ V}, \text{ or floating}$	25°C	-2.5	0.01	2.5	nA
			Full	-5		5	
<b>Dynamic</b>							
Turn-on time	$t_{ON}$	$V_{NO} = 1.5\text{ V}, R_L = 50\ \Omega, C_L = 35\text{ pF}$ , See Figure 14	25°C		5	14	ns
			Full			15	
Turn-off time	$t_{OFF}$	$V_{NO} = 1.5\text{ V}, R_L = 50\ \Omega, C_L = 35\text{ pF}$ , See Figure 14	25°C		4	9	ns
			Full			10	
Charge injection	$Q_C$	$V_{GEN} = 0, R_{GEN} = 0, C_L = 1\text{ nF}$ , See Figure 15	25°C		3		pC
NO OFF capacitance	$C_{NO(OFF)}$	$f = 1\text{ MHz}$ , See Figure 16	25°C		23		pF
COM OFF capacitance	$C_{COM(OFF)}$	$f = 1\text{ MHz}$ , See Figure 16	25°C		20		pF
COM ON capacitance	$C_{COM(ON)}$	$f = 1\text{ MHz}$ , See Figure 16	25°C		43		pF
Bandwidth	BW	$R_L = 50\ \Omega$ , Switch ON	25°C		125		MHz
OFF isolation <sup>(7)</sup>	$O_{ISO}$	$R_L = 50\ \Omega, C_L = 5\text{ pF}$ , See Figure 17	$f = 10\text{ MHz}$	25°C	-40		dB
			$f = 1\text{ MHz}$		-62		
Crosstalk	$X_{TALK}$	$R_L = 50\ \Omega, C_L = 5\text{ pF}$ , See Figure 17	$f = 10\text{ MHz}$	25°C	-73		dB
			$f = 1\text{ MHz}$		-95		
Total harmonic distortion	THD	$f = 20\text{ Hz to }20\text{ kHz}, V_{COM} = 2\text{ V}_{P-P}$	$R_L = 32\ \Omega$	25°C	0.04		%
			$R_L = 600\ \Omega$		0.003		
<b>Digital Control Inputs (IN1–IN4)</b>							
Input logic high	$V_{IH}$		Full	1.4			V
Input logic low	$V_{IL}$		Full			0.5	V
Input leakage current	$I_{IN}$	$V_I = 0\text{ or }V_+$	25°C		0.5	1	nA
			Full	-20		20	
<b>Supply</b>							
Power-supply range	$V_+$			1.6		3.6	V
Positive-supply current	$I_+$	$V_+ = 3.6\text{ V}, V_{IN} = 0\text{ or }V_+$	25°C			0.075	μA
			Full			0.75	

(1) The algebraic convention, whereby the most negative value is a minimum and the most positive value is a maximum.

(2) Parts are tested at 85°C and specified by design and correlation over the full temperature range.

(3) Typical values are at  $V_+ = 3\text{ V}, T_A = 25^\circ\text{C}$ .

(4)  $\Delta r_{on} = r_{on(max)} - r_{on(min)}$

(5) Flatness is defined as the difference between the maximum and minimum value of  $r_{on}$  as measured over the specified analog signal ranges.

(6) Leakage parameters are 100% tested at the maximum-rated hot operating temperature and specified by correlation at  $T_A = 25^\circ\text{C}$ .

(7) OFF isolation =  $20_{\log} 10 (V_{COM}/V_{NO})$ ,  $V_{COM}$  = output,  $V_{NO}$  = input to OFF switch

**Electrical Characteristics for 1.8-V Supply<sup>(1)(2)</sup>**
 $V_+ = 1.65 \text{ V to } 1.95 \text{ V}$ ,  $T_A = -40^\circ\text{C to } 85^\circ\text{C}$ ,  $V_{IH} = 1 \text{ V}$ ,  $V_{IL} = 0.4 \text{ V}$  (unless otherwise noted)

PARAMETER	SYMBOL	TEST CONDITIONS	$T_A$	MIN	TYP <sup>(3)</sup>	MAX	UNIT
<b>Analog Switch</b>							
Analog signal range	$V_{COM}, V_{NO}$			0		$V_+$	V
ON-state resistance	$r_{on}$	$V_+ = 1.8 \text{ V}$ , $I_{COM} = -10 \text{ mA}$ , $V_{NO} = 0.9 \text{ V}$	25°C		1	1.5	Ω
			Full			2	
ON-state resistance match between channels <sup>(4)</sup>	$\Delta r_{on}$	$V_+ = 1.8 \text{ V}$ , $I_{COM} = -10 \text{ mA}$ , $V_{NO} = 0.9 \text{ V}$	25°C		0.09	0.15	Ω
			Full			0.25	
ON-state resistance flatness <sup>(5)</sup>	$r_{on(Flat)}$	$V_+ = 1.8 \text{ V}$ , $I_{COM} = -10 \text{ mA}$ , $0 \leq V_{NO} \leq V_+$	25°C		0.7	0.9	Ω
			Full			1.5	
NO OFF leakage current <sup>(6)</sup>	$I_{NO(OFF)}$	$V_+ = 1.95 \text{ V}$ , $V_{COM} = 0.15 \text{ V}$ , $1.65 \text{ V}$ , $V_{NO} = 1.8 \text{ V}$ , $0.15 \text{ V}$	25°C	-1	0.5	1	nA
			Full	-10		10	
COM OFF leakage current <sup>(6)</sup>	$I_{COM(OFF)}$	$V_+ = 1.95 \text{ V}$ , $V_{COM} = 0.15 \text{ V}$ , $1.65 \text{ V}$ , $V_{NO} = 1.65 \text{ V}$ , $0.15 \text{ V}$	25°C	-1	0.5	1	nA
			Full	-10		10	
COM ON leakage current <sup>(6)</sup>	$I_{COM(ON)}$	$V_+ = 1.95 \text{ V}$ , $V_{COM} = 0.15 \text{ V}$ , $1.65 \text{ V}$ , $V_{NO} = 0.15 \text{ V}$ , $1.65 \text{ V}$ , or floating	25°C	-1	0.01	1	nA
			Full	-3		3	
<b>Dynamic</b>							
Turn-on time	$t_{ON}$	$V_{NO} = 1.5 \text{ V}$ , $R_L = 50 \Omega$ , $C_L = 35 \text{ pF}$ , See <a href="#">Figure 14</a>	25°C		6	18	ns
			Full			20	
Turn-off time	$t_{OFF}$	$V_{NO} = 1.5 \text{ V}$ , $R_L = 50 \Omega$ , $C_L = 35 \text{ pF}$ , See <a href="#">Figure 14</a>	25°C		5	10	ns
			Full			12	
Charge injection	$Q_C$	$V_{GEN} = 0$ , $R_{GEN} = 0$ , $C_L = 1 \text{ nF}$ , See <a href="#">Figure 15</a>	25°C		3.2		pC
NO OFF capacitance	$C_{NO(OFF)}$	$f = 1 \text{ MHz}$ , See <a href="#">Figure 16</a>	25°C		23		pF
COM OFF capacitance	$C_{COM(OFF)}$	$f = 1 \text{ MHz}$ , See <a href="#">Figure 16</a>	25°C		20		pF
COM ON capacitance	$C_{COM(ON)}$	$f = 1 \text{ MHz}$ , See <a href="#">Figure 16</a>	25°C		43		pF
Bandwidth	BW	$R_L = 50 \Omega$ , Switch ON	25°C		123		MHz
OFF isolation <sup>(7)</sup>	$O_{ISO}$	$R_L = 50 \Omega$ , $C_L = 5 \text{ pF}$ , See <a href="#">Figure 17</a>	$f = 10 \text{ MHz}$	25°C		-61	dB
			$f = 100 \text{ MHz}$			-36	
Crosstalk	$X_{TALK}$	$R_L = 50 \Omega$ , $C_L = 5 \text{ pF}$ , See <a href="#">Figure 17</a>	$f = 10 \text{ MHz}$	25°C		-95	dB
			$f = 100 \text{ MHz}$			-73	
Total harmonic distortion	THD	$f = 20 \text{ Hz to } 20 \text{ kHz}$ , $V_{COM} = 2 V_{P-P}$	$R_L = 32 \Omega$	25°C		0.14	%
			$R_L = 600 \Omega$			0.013	
<b>Digital Control Inputs (IN1–IN4)</b>							
Input logic high	$V_{IH}$		Full		1		V
Input logic low	$V_{IL}$		Full			0.4	V
Input leakage current	$I_{IN}$	$V_I = 0 \text{ or } V_+$	25°C		0.1	5	nA
			Full	-10		10	
<b>Supply</b>							
Power-supply range	$V_+$				1.6	3.6	V
Positive-supply current	$I_+$	$V_I = 0 \text{ or } V_+$	25°C			0.05	μA
			Full			0.5	

(1) The algebraic convention, whereby the most negative value is a minimum and the most positive value is a maximum.

(2) Parts are tested at 85°C and specified by design and correlation over the full temperature range.

(3) Typical values are at  $T_A = 25^\circ\text{C}$ .(4)  $\Delta r_{on} = r_{on(max)} - r_{on(min)}$ (5) Flatness is defined as the difference between the maximum and minimum value of  $r_{on}$  as measured over the specified analog signal ranges.(6) Leakage parameters are 100% tested at the maximum-rated hot operating temperature and specified by correlation at  $T_A = 25^\circ\text{C}$ .(7) OFF isolation =  $20_{\log 10} (V_{COM}/V_{NO})$ ,  $V_{COM}$  = output,  $V_{NO}$  = input to OFF switch

TYPICAL PERFORMANCE

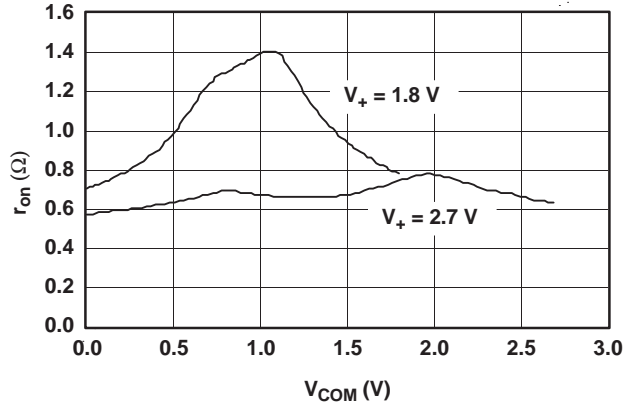


Figure 1.  $r_{on}$  vs  $V_{COM}$

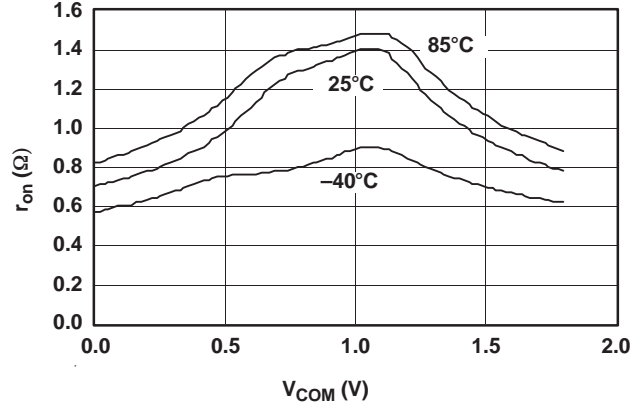


Figure 2.  $r_{on}$  vs  $V_{COM}$  ( $V_+ = 1.8$  V)

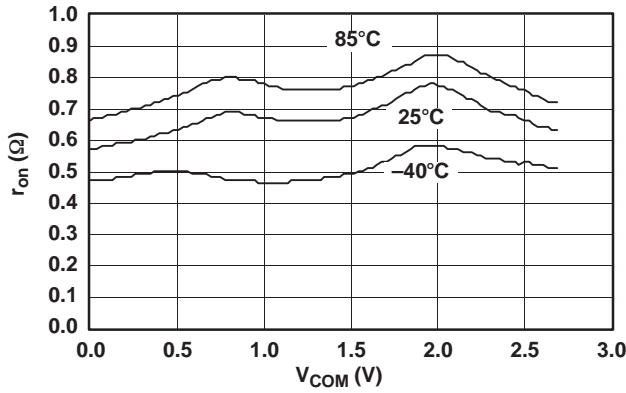


Figure 3.  $r_{on}$  vs  $V_{COM}$  ( $V_+ = 2.7$  V)

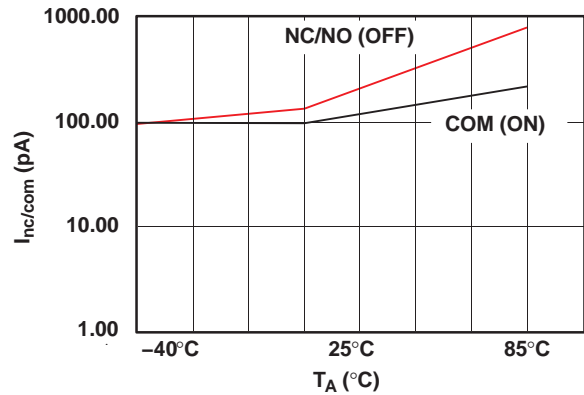


Figure 4.  $I_{ON}$  and  $I_{OFF}$  vs Temperature ( $V_+ = 3.6$  V)

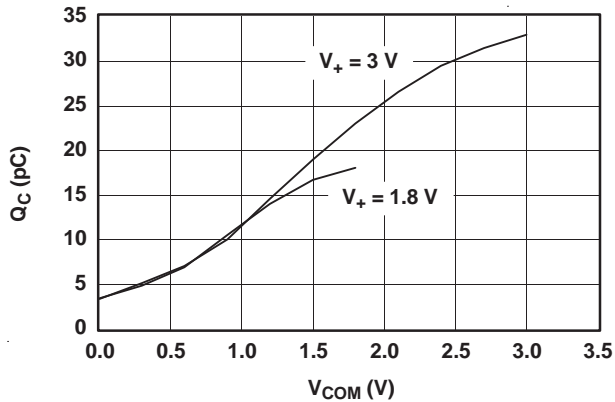


Figure 5.  $Q_C$  vs  $V_{COM}$

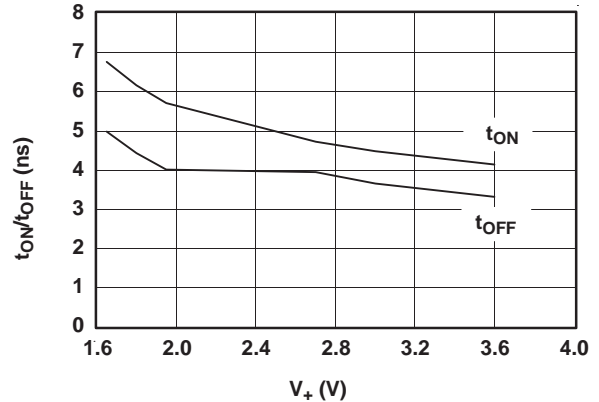


Figure 6.  $t_{ON}$  and  $t_{OFF}$  vs Supply Voltage

TYPICAL PERFORMANCE (continued)

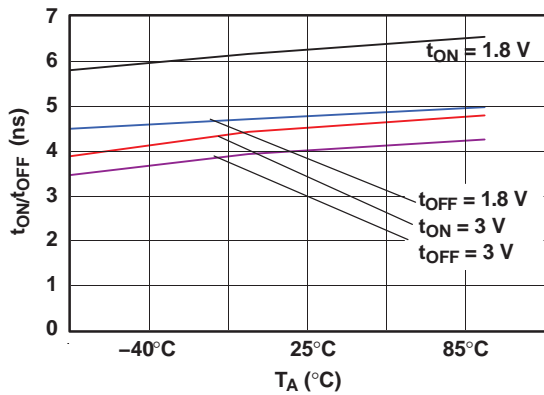


Figure 7.  $t_{ON}$  and  $t_{OFF}$  vs Temperature

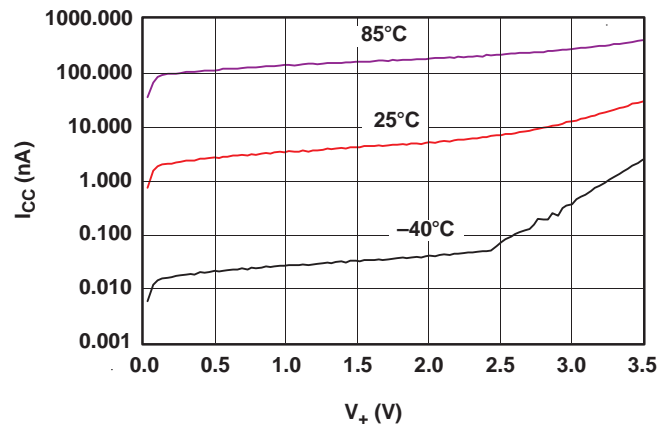


Figure 8.  $I_{CC}$  vs  $V_+$

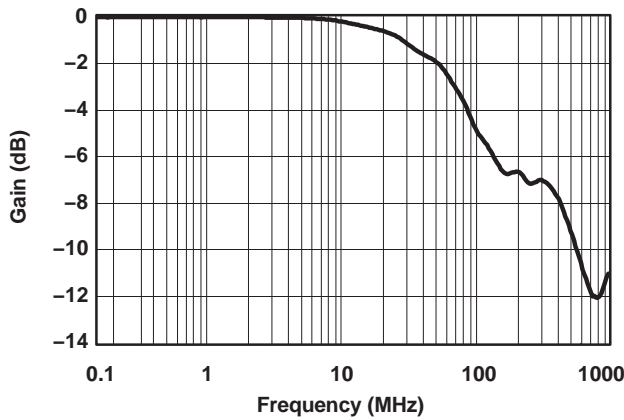


Figure 9. Gain vs Frequency  
 ( $V_+ = 3$  V)

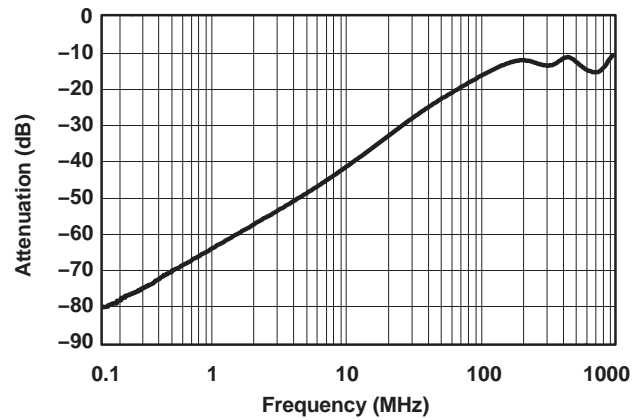


Figure 10. OFF Isolation vs Frequency  
 ( $V_+ = 3$  V)

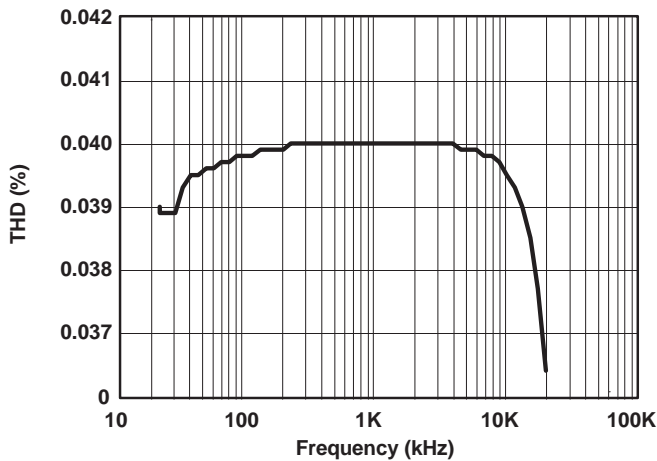


Figure 11. Total Harmonic Distortion vs Frequency  
 ( $R_L = 32 \Omega$ )

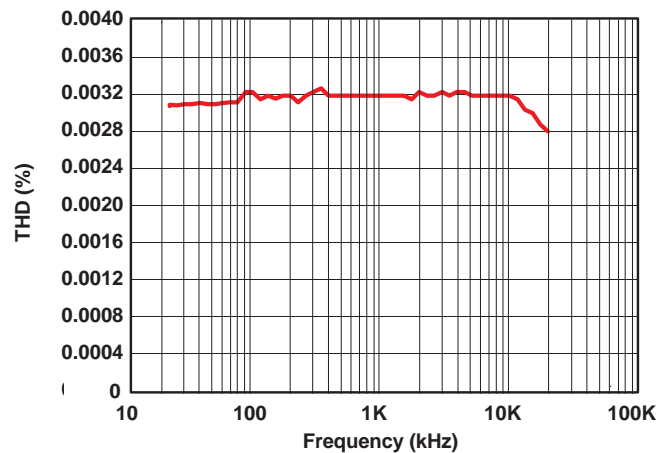


Figure 12. Total Harmonic Distortion vs Frequency  
 ( $R_L = 600 \Omega$ )

**TYPICAL PERFORMANCE (continued)**

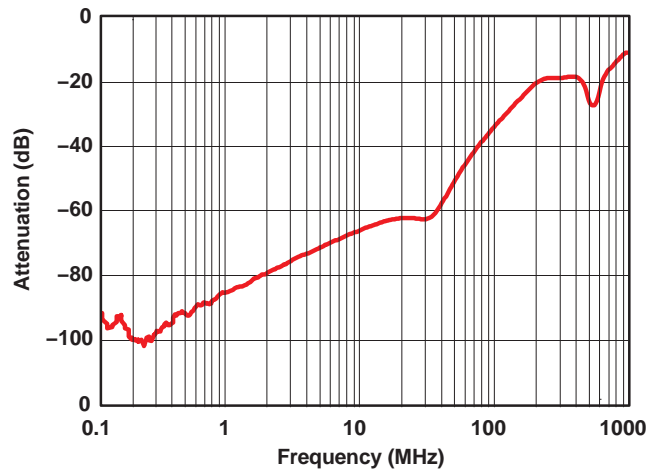


Figure 13. Crosstalk vs Frequency ( $V_+ = 3\text{ V}$ )

**PIN DESCRIPTION**

PIN NO.	NAME	DESCRIPTION
1, 3, 8, 11	NO1, NO2, NO3, NO4	Normally open
2, 4, 9, 10	COM1, COM2, COM3, COM4	Common
7	GND	Ground
13, 5, 6, 12	IN1, IN2, IN3, IN4	Logic control inputs
14	$V_+$	Positive supply voltage

## APPLICATION INFORMATION

Proper power-supply sequencing is recommended for all CMOS devices. Do not exceed the absolute maximum ratings because stresses beyond the listed ratings can cause permanent damage to the devices. Always sequence  $V_+$  on first, followed by NO or COM.

Although it is not required, power-supply bypassing improves noise margin and prevents switching noise propagation from the  $V_+$  supply to other components. A 0.1- $\mu$ F capacitor, connected from  $V_+$  to GND, is adequate for most applications.

### Logic Inputs

The TS3A4751 logic inputs can be driven up to 3.6 V, regardless of the supply voltage. For example, with a 1.8-V supply, IN may be driven low to GND and high to 3.6 V. Driving IN rail to rail minimizes power consumption.

### Analog Signal Levels

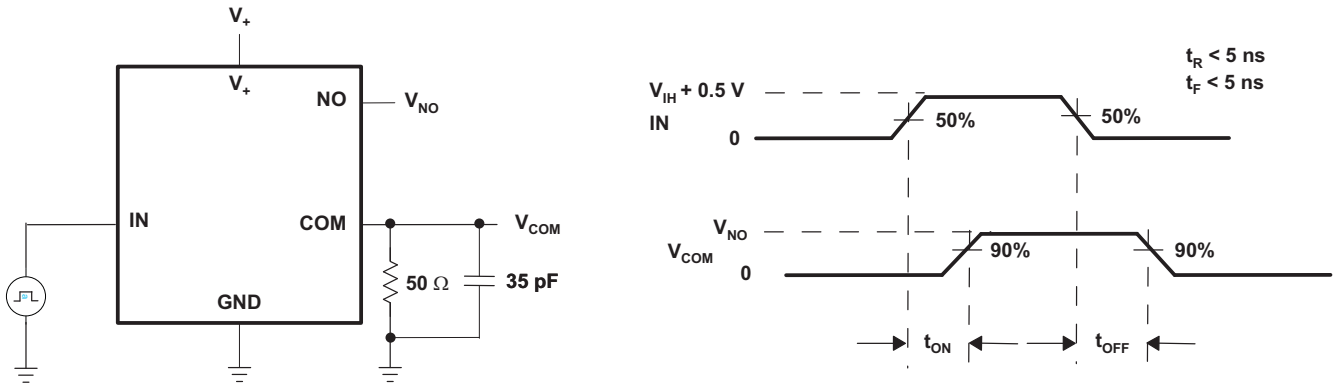
Analog signals that range over the entire supply voltage ( $V_+$  to GND) can be passed with very little change in  $r_{on}$  (see Typical Operating Characteristics). The switches are bidirectional, so NO and COM can be used as either inputs or outputs.

### Layout

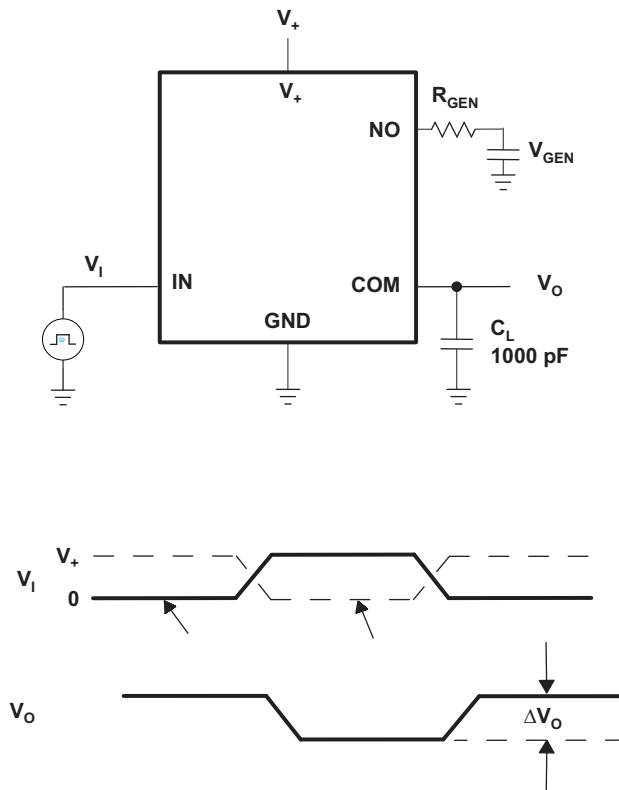
High-speed switches require proper layout and design procedures for optimum performance. Reduce stray inductance and capacitance by keeping traces short and wide. Ensure that bypass capacitors are as close to the device as possible. Use large ground planes where possible.



**TEST CIRCUITS/TIMING DIAGRAMS**



**Figure 14. Switching Times**



**Figure 15. Charge Injection ( $Q_C$ )**

TEST CIRCUITS/TIMING DIAGRAMS (continued)

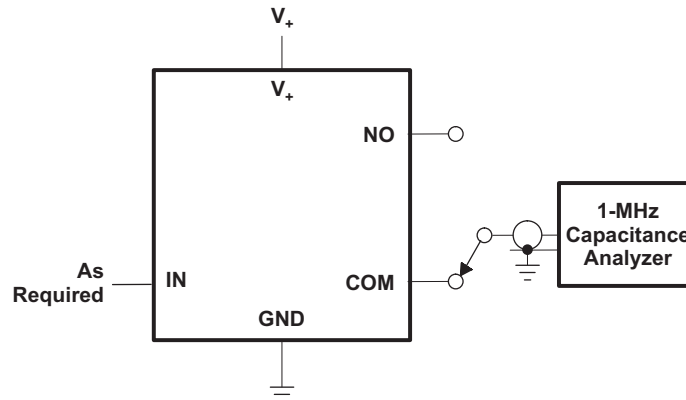
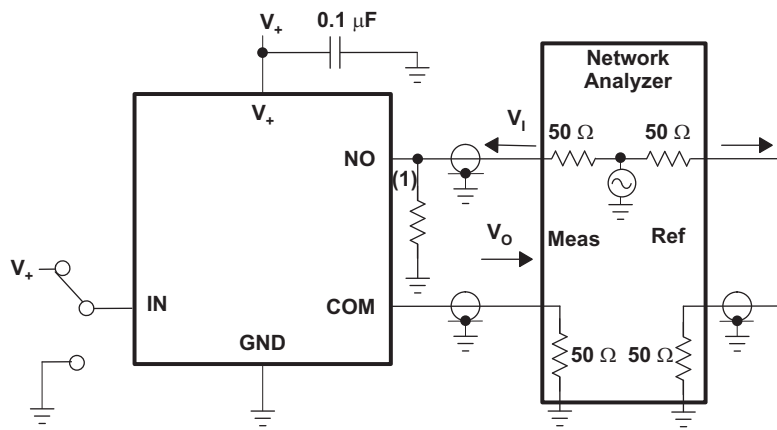


Figure 16. NO and COM Capacitance



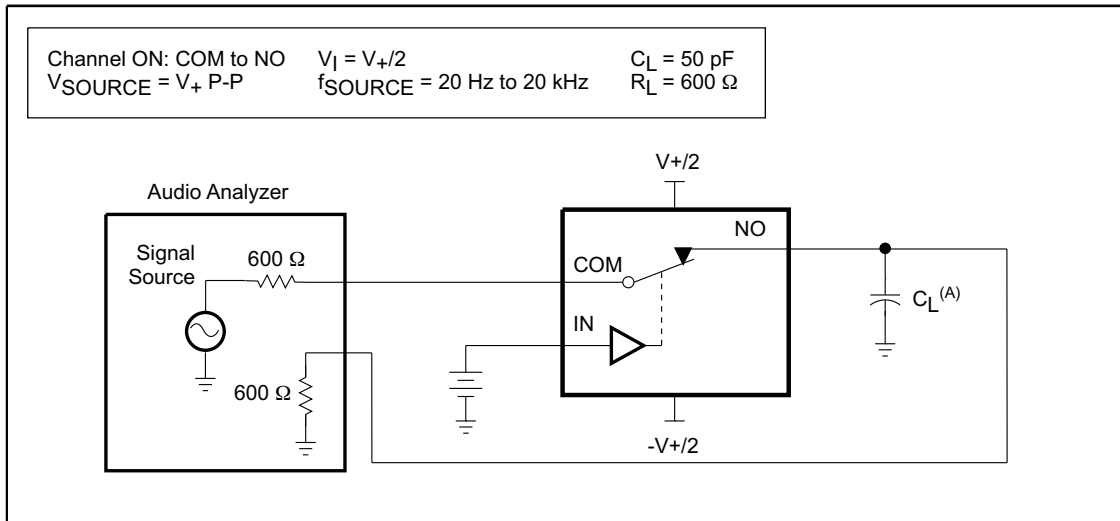
Measurements are standardized against short at socket terminals. OFF isolation is measured between COM and OFF terminals on each switch. Bandwidth is measured between COM and ON terminals on each switch. Signal direction through switch is reversed; worst values are recorded.

$$\text{OFF isolation} = 20 \log V_0/V_1$$

(1) Add 50-Ω termination for OFF isolation

Figure 17. OFF Isolation, Bandwidth, and Crosstalk

TEST CIRCUITS/TIMING DIAGRAMS (continued)



A.  $C_L$  includes probe and jig capacitance.

Figure 18. Total Harmonic Distortion (THD)

**PACKAGING INFORMATION**

Orderable Device	Status <sup>(1)</sup>	Package Type	Package Drawing	Pins	Package Qty	Eco Plan <sup>(2)</sup>	Lead/Ball Finish	MSL Peak Temp <sup>(3)</sup>
TS3A4751PWR	ACTIVE	TSSOP	PW	14	2000	Green (RoHS & no Sb/Br)	CU NIPDAU	Level-1-260C-UNLIM
TS3A4751PWRG4	ACTIVE	TSSOP	PW	14	2000	Green (RoHS & no Sb/Br)	CU NIPDAU	Level-1-260C-UNLIM

<sup>(1)</sup> The marketing status values are defined as follows:

**ACTIVE:** Product device recommended for new designs.

**LIFEBUY:** TI has announced that the device will be discontinued, and a lifetime-buy period is in effect.

**NRND:** Not recommended for new designs. Device is in production to support existing customers, but TI does not recommend using this part in a new design.

**PREVIEW:** Device has been announced but is not in production. Samples may or may not be available.

**OBsolete:** TI has discontinued the production of the device.

<sup>(2)</sup> Eco Plan - The planned eco-friendly classification: Pb-Free (RoHS), Pb-Free (RoHS Exempt), or Green (RoHS & no Sb/Br) - please check <http://www.ti.com/productcontent> for the latest availability information and additional product content details.

**TBD:** The Pb-Free/Green conversion plan has not been defined.

**Pb-Free (RoHS):** TI's terms "Lead-Free" or "Pb-Free" mean semiconductor products that are compatible with the current RoHS requirements for all 6 substances, including the requirement that lead not exceed 0.1% by weight in homogeneous materials. Where designed to be soldered at high temperatures, TI Pb-Free products are suitable for use in specified lead-free processes.

**Pb-Free (RoHS Exempt):** This component has a RoHS exemption for either 1) lead-based flip-chip solder bumps used between the die and package, or 2) lead-based die adhesive used between the die and leadframe. The component is otherwise considered Pb-Free (RoHS compatible) as defined above.

**Green (RoHS & no Sb/Br):** TI defines "Green" to mean Pb-Free (RoHS compatible), and free of Bromine (Br) and Antimony (Sb) based flame retardants (Br or Sb do not exceed 0.1% by weight in homogeneous material)

<sup>(3)</sup> MSL, Peak Temp. -- The Moisture Sensitivity Level rating according to the JEDEC industry standard classifications, and peak solder temperature.

**Important Information and Disclaimer:**The information provided on this page represents TI's knowledge and belief as of the date that it is provided. TI bases its knowledge and belief on information provided by third parties, and makes no representation or warranty as to the accuracy of such information. Efforts are underway to better integrate information from third parties. TI has taken and continues to take reasonable steps to provide representative and accurate information but may not have conducted destructive testing or chemical analysis on incoming materials and chemicals. TI and TI suppliers consider certain information to be proprietary, and thus CAS numbers and other limited information may not be available for release.

In no event shall TI's liability arising out of such information exceed the total purchase price of the TI part(s) at issue in this document sold by TI to Customer on an annual basis.

PW (R-PDSO-G\*\*)

PLASTIC SMALL-OUTLINE PACKAGE

14 PINS SHOWN



4040064/F 01/97

- NOTES: A. All linear dimensions are in millimeters.  
 B. This drawing is subject to change without notice.  
 C. Body dimensions do not include mold flash or protrusion not to exceed 0,15.  
 D. Falls within JEDEC MO-153

## IMPORTANT NOTICE

Texas Instruments Incorporated and its subsidiaries (TI) reserve the right to make corrections, modifications, enhancements, improvements, and other changes to its products and services at any time and to discontinue any product or service without notice. Customers should obtain the latest relevant information before placing orders and should verify that such information is current and complete. All products are sold subject to TI's terms and conditions of sale supplied at the time of order acknowledgment.

TI warrants performance of its hardware products to the specifications applicable at the time of sale in accordance with TI's standard warranty. Testing and other quality control techniques are used to the extent TI deems necessary to support this warranty. Except where mandated by government requirements, testing of all parameters of each product is not necessarily performed.

TI assumes no liability for applications assistance or customer product design. Customers are responsible for their products and applications using TI components. To minimize the risks associated with customer products and applications, customers should provide adequate design and operating safeguards.

TI does not warrant or represent that any license, either express or implied, is granted under any TI patent right, copyright, mask work right, or other TI intellectual property right relating to any combination, machine, or process in which TI products or services are used. Information published by TI regarding third-party products or services does not constitute a license from TI to use such products or services or a warranty or endorsement thereof. Use of such information may require a license from a third party under the patents or other intellectual property of the third party, or a license from TI under the patents or other intellectual property of TI.

Reproduction of information in TI data books or data sheets is permissible only if reproduction is without alteration and is accompanied by all associated warranties, conditions, limitations, and notices. Reproduction of this information with alteration is an unfair and deceptive business practice. TI is not responsible or liable for such altered documentation.

Resale of TI products or services with statements different from or beyond the parameters stated by TI for that product or service voids all express and any implied warranties for the associated TI product or service and is an unfair and deceptive business practice. TI is not responsible or liable for any such statements.

Following are URLs where you can obtain information on other Texas Instruments products and application solutions:

<b>Products</b>		<b>Applications</b>	
Amplifiers	<a href="http://amplifier.ti.com">amplifier.ti.com</a>	Audio	<a href="http://www.ti.com/audio">www.ti.com/audio</a>
Data Converters	<a href="http://dataconverter.ti.com">dataconverter.ti.com</a>	Automotive	<a href="http://www.ti.com/automotive">www.ti.com/automotive</a>
DSP	<a href="http://dsp.ti.com">dsp.ti.com</a>	Broadband	<a href="http://www.ti.com/broadband">www.ti.com/broadband</a>
Interface	<a href="http://interface.ti.com">interface.ti.com</a>	Digital Control	<a href="http://www.ti.com/digitalcontrol">www.ti.com/digitalcontrol</a>
Logic	<a href="http://logic.ti.com">logic.ti.com</a>	Military	<a href="http://www.ti.com/military">www.ti.com/military</a>
Power Mgmt	<a href="http://power.ti.com">power.ti.com</a>	Optical Networking	<a href="http://www.ti.com/opticalnetwork">www.ti.com/opticalnetwork</a>
Microcontrollers	<a href="http://microcontroller.ti.com">microcontroller.ti.com</a>	Security	<a href="http://www.ti.com/security">www.ti.com/security</a>
Low Power Wireless	<a href="http://www.ti.com/lpw">www.ti.com/lpw</a>	Telephony	<a href="http://www.ti.com/telephony">www.ti.com/telephony</a>
		Video & Imaging	<a href="http://www.ti.com/video">www.ti.com/video</a>
		Wireless	<a href="http://www.ti.com/wireless">www.ti.com/wireless</a>

Mailing Address: Texas Instruments  
Post Office Box 655303 Dallas, Texas 75265