



PRODUCT INFORMATION

PART #	CH-291-1220LF	Revision: 1-2012
	CR1220 Coin Cell Holder	
ISO 9001		

SPECIFICATIONS

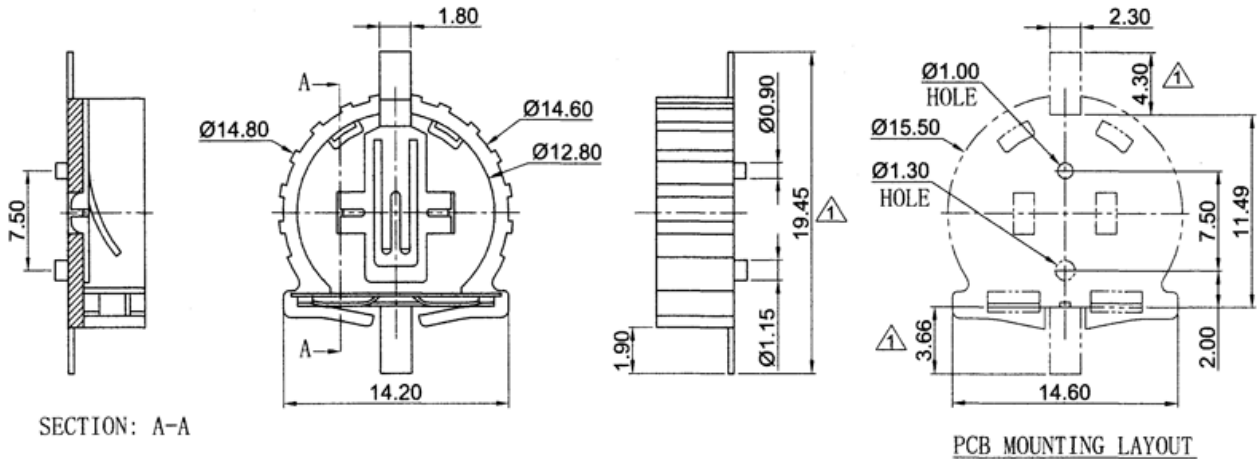
Battery (Cell) Type	CR1220	Number of Cells	1
Current Rating		Voltage Rating	500 V ac/dc
Contact Resistance	Maximum 30 milliohms	Insulation Resistance	1000 MΩ
Temperature	-55°C to + 105°C	Humidity	-40°C, 90-95% RH for 96 hours
Material	Housing	PPS UL 94V0, Black	
	Contact	Phosphor Bronze, 0.2 mm Thick, Gold Plated Nickel	
Approximate Weight	grams	Compliance	RoHS
Options			

RELIABILITY

Vibration Test	2 Hours of at 1.5 mm with 10 to 55 Hz. vibration frequency to each of 3 perpendicular directions
Termination Strength	Maximum of 9.8 N (1.0 Kg) load pull test, applied to each terminal in axial direction for 10 seconds
Drop Test	Dropped naturally from 750 mm height onto the surface of 40 mm wooden board, 3 axes (X,Y,Z) directions, 3 times (6 times total)
Warranty	For a period of one (1) year from date of shipping under normal operations conditions

DIMENSIONS

Dimensions in mm; 19.45 length x 14.60 width x 4.20 height. Tolerance ±0.5 mm



NOTES:

- MATERIAL:**
 HOUSING : PPS UL 94V0
 CONTACT : PHOSPHOR BRONZE 0.2 THK
 GOLD PLATED OVER NICKEL
- CONTACT RESISTANCE : 30 MILLIOHMS MAX
- INSULATION RESISTANCE : 1000 MEGA OHMS MIN
- DIELECTRIC VOLTAGE : 500V ONE SEC LEVEL
- OPERATING TEMPERATURE : -55 °C ~ 105 °C
- RoHS COMPLIANT

Challenge Electronics		
CH-291-1220LF		
	Corrected the drawing dimensions to match the merchandise	Dec/31 /2009
NO.	MODIFICATION	DATE
General Tolerance		
Dim: 0.0 ± 0.30		
0.00 ± 0.20		
Angle: ± 3° 0.000 ± 0.10		

The information contained herein is believed to be correct, but no guarantee or warranty, express or implied, with respect to accuracy, completeness or results is extended and no liability is assumed. Challenge Electronics reserves the right to make changes in any specification, data or material contained herein.

Copyright © 2012 Challenge Electronics

