

The CSM-7X is an excellent choice for a low cost SMD Crystal. The CSM-7X (5PX) has a case height of 4.3 mm Max. in a resistance weld metal package. Lower profile package height of 3.2 mm is available with the (5PLX) package.

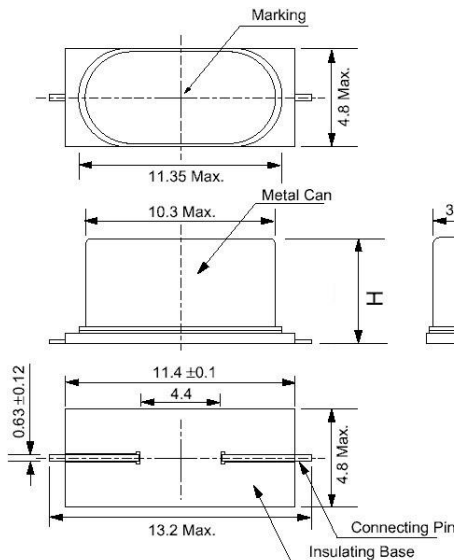
[Request a Sample](#)

CSM-7X SMD CRYSTAL



- Cost Effective
- Low Profile
- Industry Standard Footprint
- Pb Free/RoHS Compliant

DIMENSIONS (mm)



Height "H" Max.

| | |
|------|--------|
| -5PX | 4.3 mm |
| 5PLX | 3.2 mm |

OPERATING CONDITIONS / ELECTRICAL CHARACTERISTICS

| PARAMETERS | CONDITIONS | CSM-7X | | | UNITS |
|------------------------|-------------------------|--------|-----|--------|-------|
| | | MIN | TYP | MAX | |
| Frequency | | 3.57 | | 70.000 | MHz |
| Frequency Tolerance* | @ +25°C | | | ± 30 | ppm |
| Frequency Stability* | Standard -10 ~ +70°C | | | ± 50 | ppm |
| Shunt Capacitance | Co | | | 7 | pF |
| Load Capacitance | Specify in P/N | 10 | 20 | Series | pF |
| Drive Level | DL | | | 500 | µW |
| Operating Temperature* | T _{opr} | -10 | | +70 | °C |
| Storage Temperature | T _{stg} | -55 | | +125 | °C |
| Aging (First Year) | @ +25°C ±3°C | | | ±5 | ppm |

EQUIVALENT SERIES RESISTANCE/MODE OF OSCILLATION

| Frequency (MHz) | ESR Ω Max. | Mode of Osc. |
|-----------------|------------|--------------------------|
| 3.57 ~ 4.999 | 150 | Fundamental |
| 5.000 ~ 5.999 | 80 | Fundamental |
| 6.000 ~ 6.999 | 70 | Fundamental |
| 7.000 ~ 8.999 | 60 | Fundamental |
| 9.000 ~ 12.999 | 50 | Fundamental |
| 13.000 ~ 19.999 | 40 | Fundamental |
| 20.000 ~ 40.000 | 30 | Fundamental |
| 40.000 ~ 70.000 | 80 | 3 rd Overtone |

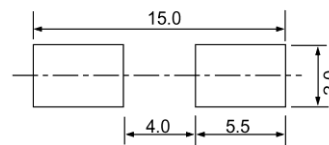


Figure 1) Top, Side, Bottom, and End

Crystal is symmetrical, pin 1 & 2 are interchangeable.

Figure 2) Suggested land

PART NUMBERING GUIDE: Example ECS-200-20-5PX-TR

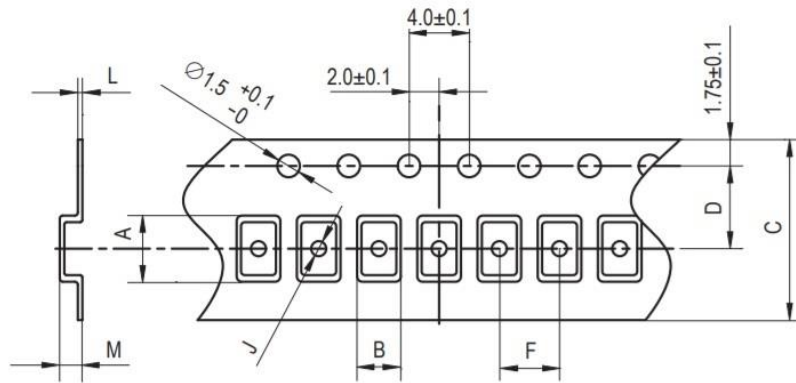
| ECS - FREQUENCY ABBREVIATION | LOAD CAPACITANCE | PACKAGE | AVAILABLE OPTIONS | | | PACKAGING |
|------------------------------|-----------------------------------|-------------------------------|---|--|---|-----------------------------------|
| | | | Tolerance | Stability | Temp Range | |
| ECS | 200 = 20.000 MHz See P/N Guide | 5PX = 4.3 mm 5PLX = 3.2 mm | Blank = Std A = ± 25 ppm J = ± 20 ppm R = ± 15 ppm C = ± 10 ppm | Blank = Std D = ± 100 ppm E = ± 50 ppm G = ± 30 ppm H = ± 25 ppm T = ± 20 ppm † W = ± 15 ppm † K = ± 10 ppm † | Blank = Std L = -10 ~ +70°C M = -20 ~ +70°C Y = -30 ~ +85°C N = -40 ~ +85°C P = -40 ~ +105°C S = -40 ~ +125°C U = -55 ~ +125°C | TR = Tape & Reel 1K/Reel |

* Specify available options in P/N.

† Contact ECS for availability over extended temp range.

Rev.2020

POCKET TAPE DIMENSIONS (mm)



| A | B | C | D | F | J | L | M | Reel Dia. | Qty/Reel |
|------|-----|------|------|------|-----|-----|-----|-----------|----------|
| 15.4 | 5.3 | 24.0 | 11.5 | 12.0 | 1.7 | 0.4 | 4.4 | 300 | 1000pcs |

SOLDER PROFILE

Peak solder Temp +260°C Max 10 sec Max.

2 Cycles Max.

MSL 1, Lead Finish Sn/Cu Matte

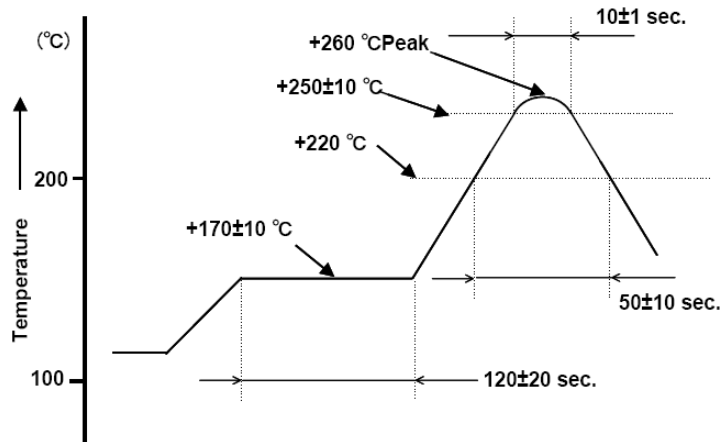


Figure 1) Suggested Reflow Profile

Mouser Electronics

Authorized Distributor

Click to View Pricing, Inventory, Delivery & Lifecycle Information:

ECS:

[ECS-200-20-5PX-TR](#) [ECS-200-20-5PX](#) [ECS-040-18-5PX-TR](#) [ECS-110.5-20-5PX-TR](#) [ECS-110.5-32-5PX-TR](#) [ECS-120-S-5PX-TR](#) [ECS-122.8-20-5PX-TR](#) [ECS-122.8-S-5PX-TR](#) [ECS-160.003-18-5PX-TR](#) [ECS-160-20-5PX-TR](#) [ECS-160-S-5PX-TR](#) [ECS-184-S-5PX-TR](#) [ECS-204.8-20-5PX-TR](#) [ECS-245.7-20-5PX-TR](#) [ECS-35-17-5PX-TR](#) [ECS-36-S-5PX-TR](#) [ECS-41-20-5PX-TR](#) [ECS-42-12-5PX-TR](#) [ECS-480-20-5PX-TR](#) [ECS-50-S-5PX-TR](#) [ECS-60-20-5PX-TR](#) [ECS-60-32-5PX-TR](#) [ECS-60-S-5PX-TR](#) [ECS-61-32-5PX-TR](#) [ECS-65.5-S-5PX-TR](#) [ECS-80-32-5PX-TR](#) [ECS-80-S-5PX-TR](#) [ECS-92.1-S-5PX-TR](#) [ECS-100-S-5PX-TR](#) [ECS-110.5-S-5PX-TR](#) [ECS-120.003-18-5PX-TR](#) [ECS-143-S-5PX-TR](#) [ECS-250-18-5PX-TR](#) [ECS-40.3-20-5PX-TR](#) [ECS-40-20-5PX-TR](#) [ECS-49-20-5PX-TR](#) [ECS-49-S-5PX-TR](#) [ECS-50-20-5PX-TR](#) [ECS-73-20-5PX-TR](#) [ECS-80-18-5PX-TR](#) [ECS-98.3-S-5PX-TR](#) [ECS-270-18-5PX-F](#) [ECS-36-20-5PX-TR](#) [ECS-160-20-5PX-DN-TR](#) [ECS-300-12-5PX-F-CEP-TR](#) [ECS-041-20-5PX-DN](#) [ECS-049-20-5PX-DN](#) [ECS-36-20-5PX](#) [ECS-200-S-5PX-TR](#) [ECS-184-20-5PX-TR](#) [ECS-040-S-5PX-TR](#) [ECS-044-20-5PX-TR](#) [ECS-180-S-5PX-TR](#) [ECS-035-S-5PX-TR](#) [ECS-196.6-20-5PX-TR](#) [ECS-100-18-5PX-TR](#) [ECS-240-20-5PX-TR](#) [ECS-184-18-5PX-TR](#) [ECS-240-12-5PX-TR](#) [ECS-092.1-S-5PX-TR](#) [ECS-150-S-5PX-TR](#) [ECS-040.3-S-5PX-TR](#) [ECS-200-18-5PX-TR](#) [ECS-240-16-5PX-TR](#) [ECS-147.4-S-5PX-TR](#) [ECS-270-18-5PX-F-TR](#) [ECS-059.9-20-5PX-TR](#) [ECS-080-20-5PX-TR](#) [ECS-200-16-5PX-TR](#) [ECS-051-20-5PX-TR](#) [ECS-120-32-5PX-TR](#) [ECS-196.6-S-5PX-TR](#) [ECS-135.6-12-5PX-TR](#) [ECS-042-16-5PX-TR](#) [ECS-060-20-5PX-TR](#) [ECS-098.3-20-5PX-TR](#) [ECS-240-S-5PX-TR](#) [ECS-147.4-20-5PX-TR](#) [ECS-143-20-5PX-TR](#) [ECS-073-S-5PX-TR](#) [ECS-052-32-5PX-TR](#) [ECS-120-20-5PX-TR](#) [ECS-120-18-5PX-TR](#) [ECS-102.45-16-5PX-TR](#) [ECS-100-20-5PX-DN-TR](#) [ECS-49-20-5PX-DN-TR](#) [ECS-092.1-20-5PX-TR](#) [ECS-40.3-20-5PX-DN-TR](#) [ECS-250-20-5PX-DN-TR](#) [ECS-110.5-18-5PXEN-TR](#) [ECS-110-18-5PXEN-TR](#) [ECS-122.8-18-5PXEN-TR](#) [ECS-135-18-5PXEN-TR](#) [ECS-143-18-5PXEN-TR](#) [ECS-147.4-18-5PXEN-TR](#) [ECS-160.003-18-5PXEN-TR](#) [ECS-160-18-5PXEN-TR](#) [ECS-162.57-18-5PXEN-TR](#) [ECS-163-18-5PXEN-TR](#) [ECS-196.6-18-5PXEN-TR](#)