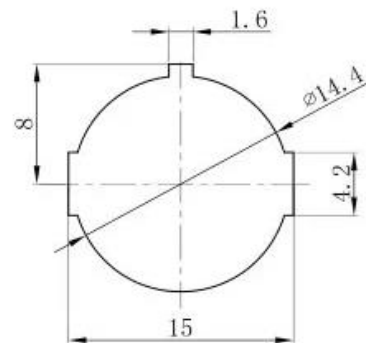
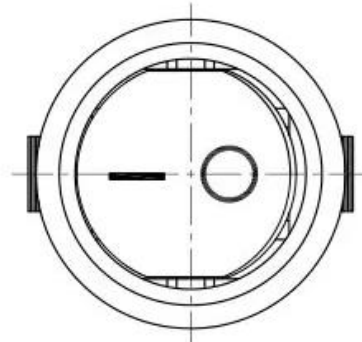
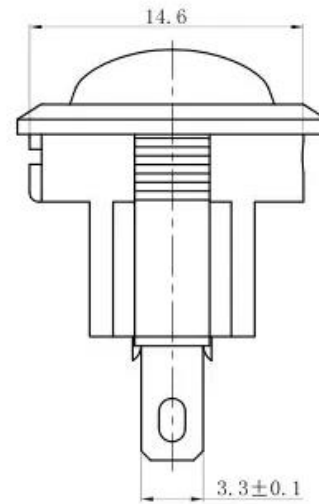
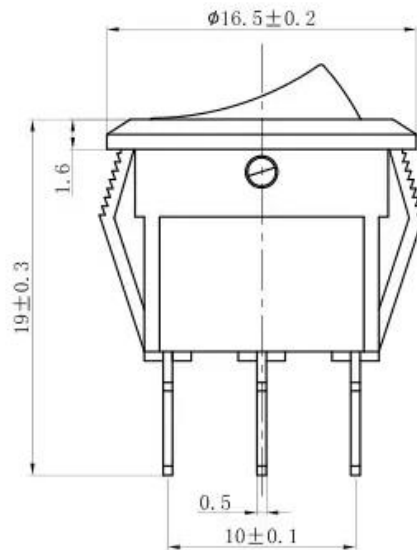


DATASHEET


SPECIFICATION		
Description	Value	Unit
Material	Plastic and Metal	~
Voltage Rating	250	V
Current Rating	250V@3	A
Diameter	14	mm
Height	13.5	mm
Actuator Shape	Round	~


Product Dimensions In: mm