

12. IC INFORMATION

www.DataSheet4U.com

A • The information shown in the list is basic information and may not correspond exactly to that shown in the schematic diagrams.

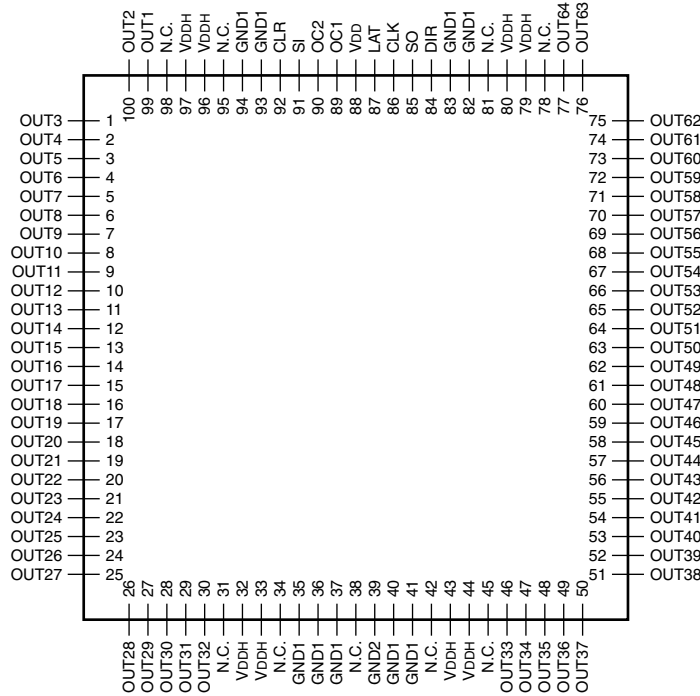
• List of IC

SN755870KPZT, BCM7038KPB1G-B2, R5520H001B, R2S11002AFT, R2S11001FT, UPD64015AGM-UEM, AD9985KSTZ-110, SII9023CTU

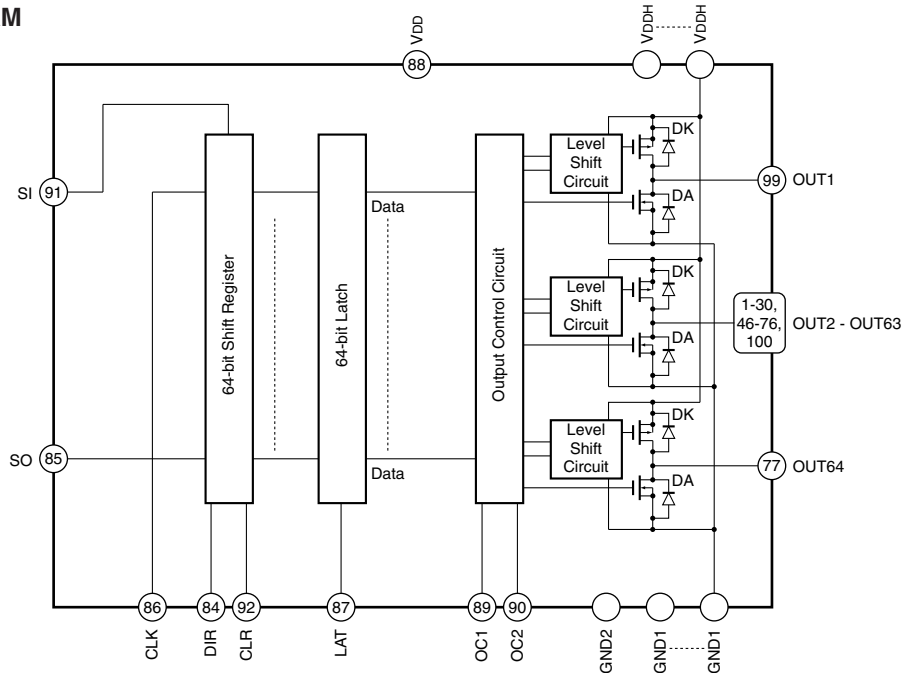
■ SN755870KPZT (50 SCAN A ASSY : IC2801 - IC2806) (50 SCAN B ASSY : IC2901 - IC2906)

• PLASMA DISPLAY PANEL IC

● PIN LAYOUT (Top View)



● BLOCK DIAGRAM



● PIN FUNCTION

No.	Pin Name	I/O	Pin Function															
1 - 30	OUT3 - OUT32	O	High-voltage push-pull output															
31	N.C.	-	Not used															
32 - 33	VDDH	-	Power for High-voltage circuit															
34	N.C.	-	Not used															
35 - 37	GND1	-	GND															
38	N.C.	-	Not used															
39	GND2	-	GND															
40 - 41	GND1	-	GND															
42	N.C.	-	Not used															
43 - 44	VDDH	-	Power for High-voltage circuit															
45	N.C.	-	Not used															
46 - 77	OUT33 - OUT64	O	High-voltage push-pull output															
78	N.C.	-	Not used															
79 - 80	VDDH	-	Power for High-voltage circuit															
81	N.C.	-	Not used															
82 - 83	GND1	-	GND															
84	DIR	I	Setting the shift direction of shift-register L : reverse side shift (SO→SI), H : forward side shift (SI→SO)															
85	SO	I/O	Serial data In/Out															
86	CLK	I	Serial clock Input Down-side edge trigger															
87	LAT	I	LAT data Input L : The data of shiftregister is transferred to ouput latch. H : The ouput data of latch is holded.															
88	VDD	-	Power for Logic circuit															
89	OC1	I	Output control Output is controlled by truth table right side.															
90	OC2	I																
<table border="1"> <thead> <tr> <th>OC1</th> <th>OC2</th> <th>OUT</th> </tr> </thead> <tbody> <tr> <td>L</td> <td>L</td> <td>ALL Hi-Z</td> </tr> <tr> <td>L</td> <td>H</td> <td>DATA</td> </tr> <tr> <td>H</td> <td>L</td> <td>ALL L</td> </tr> <tr> <td>H</td> <td>H</td> <td>ALL H</td> </tr> </tbody> </table>				OC1	OC2	OUT	L	L	ALL Hi-Z	L	H	DATA	H	L	ALL L	H	H	ALL H
OC1	OC2	OUT																
L	L	ALL Hi-Z																
L	H	DATA																
H	L	ALL L																
H	H	ALL H																
91	SI	I/O	Serial data In/Out															
92	CLR	I	All output reset CLR terminal : L → normal operation, CLR terminal : H→ All output "H"															
93 - 94	GND1	-	GND															
95	N.C.	-	Not used															
96 - 97	VDDH	-	Power for High-voltage circuit															
98	N.C.	-	Not used															
99 - 100	OUT1 - OUT2	O	High-voltage push-pull output															