
Automatic Mode Shift Dual 150mA LDO

NO.EA-138-080919

OUTLINE

The R5326x Series are CMOS-based voltage regulator ICs with high output voltage accuracy, Typ. 5.5 μ A low supply current, and remarkably improved transient response compared with the conventional low supply current voltage regulators. The supply current of IC itself is automatically shifts between fast mode and low power mode depending on the load current. (The current threshold is fixed internally.) Each of these voltage regulator ICs consists of a voltage reference unit, an error amplifier, resistors for setting the output voltage, a current limit circuit for preventing from the destruction by an over current, and so on.

The chip enable function realizes the standby mode with ultra low supply current.

Since the packages for these ICs are SOT-23-6 and DFN(PLP)1820-6, and chip size package, WLCSP-6-P1, dual LDO regulators are included in each package, high density mounting of the ICs on boards is possible.

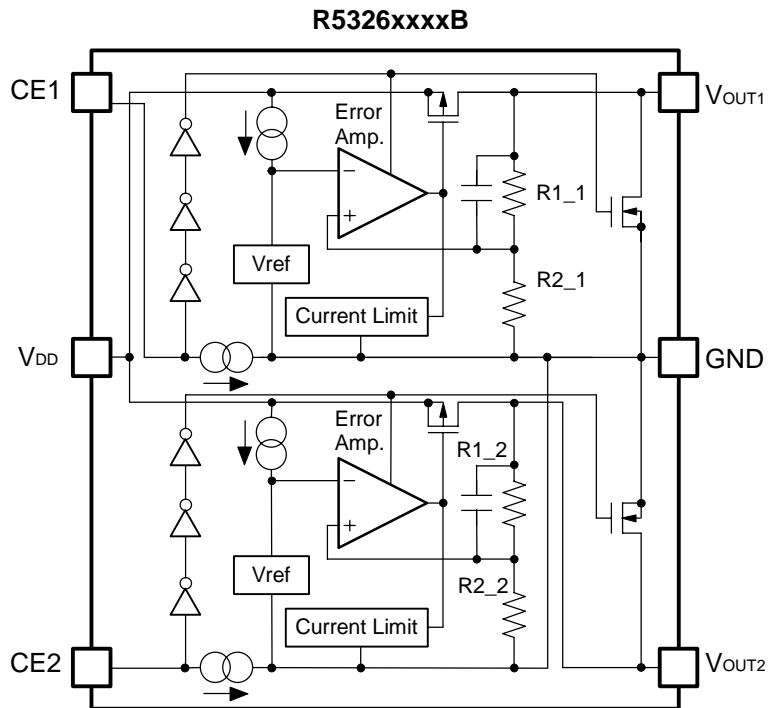
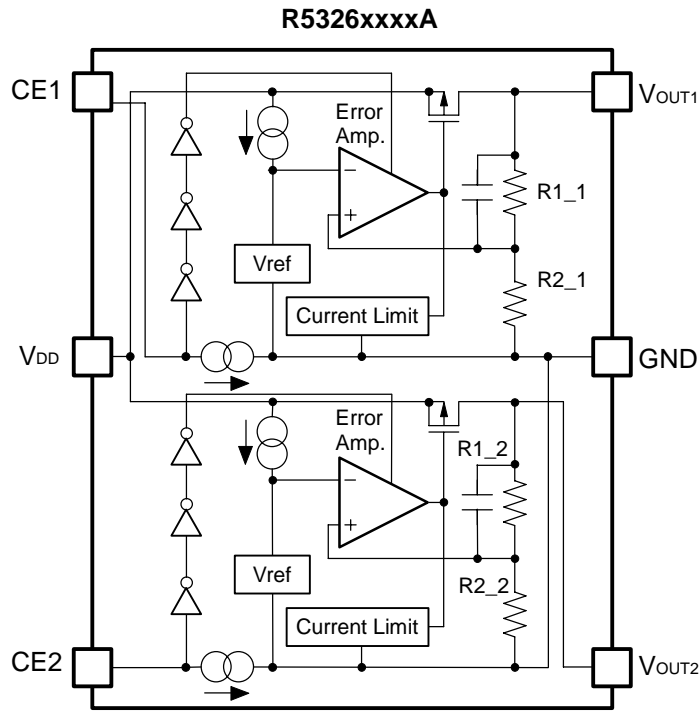
FEATURES

- Supply Current (Low Power Mode).....Typ. 5.5 μ A \times 2 (VR1&VR2) ($I_{OUT}=0$ mA)
- Supply Current (Fast Mode).....Typ. 50 μ A \times 2 (VR1&VR2) ($I_{OUT}=10$ mA)
- Standby Current.....Typ. 0.1 μ A (VR1&VR2)
- Input Voltage 1.4V to 6.0V
- Output Voltage 0.8V to 4.2V
- Dropout Voltage Typ. 0.19V ($I_{OUT}=150$ mA, $V_{OUT}=2.8$ V)
- Output Voltage Accuracy..... $\pm 1.0\%$ ($V_{OUT}>1.5$ V)
- Ripple Rejection.....Typ. 70dB ($f=1$ kHz)
Typ. 60dB ($f=10$ kHz)
- Line RegulationTyp. 0.02%/V
- PackagesWLCSP-6-P1, DFN(PLP)1820-6, SOT-23-6
- Built-in fold-back protection circuit.....Typ. 50mA (Current at short mode)
- Ceramic Capacitor is recommended. 1.0 μ F to 3.3 μ F
(Depending on V_{IN} and set V_{OUT} . Refer to the electrical characteristics table.)

APPLICATIONS

- Power source for handheld communication equipment.
- Power source for electrical appliances such as cameras, VCRs and camcorders.
- Power source for battery-powered equipment.

BLOCK DIAGRAMS



SELECTION GUIDE

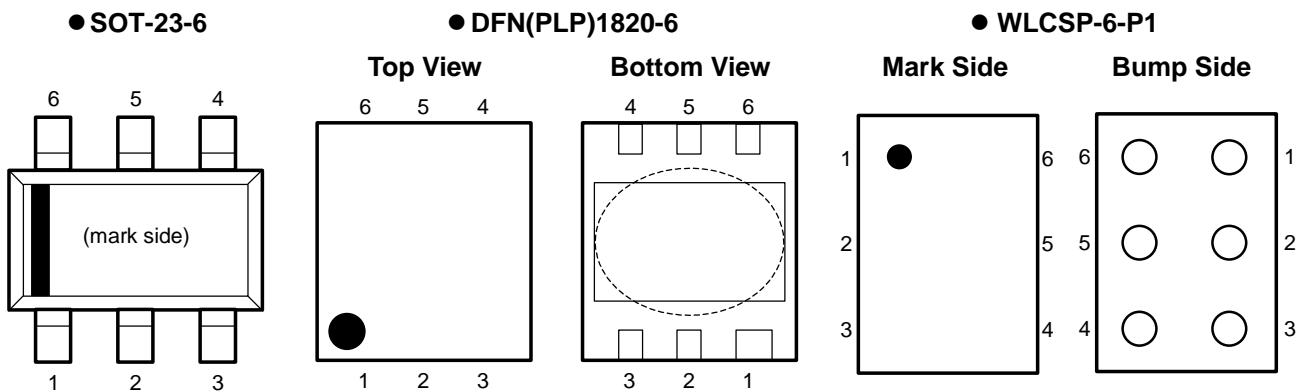
The output voltage, auto discharge function*, and the taping type for the ICs can be selected at the user's request. The selection can be made with designating the part number as shown below;

R5326xxxxx-xx-x ←Part Number
 ↑ ↑ ↑ ↑ ↑
 a b c d e

Code	Contents
a	Designation of Package Type: N: SOT-23-6 K: DFN(PLP)1820-6 Z: WLCSP-6-P1
b	Setting combination of dual Output Voltage (V_{OUT}): Serial Number for Voltage Setting, Stepwise setting with a step of 0.1V in the range of 0.8V to 4.2V is possible for each channel.
c	Designation of Mask Option: A: without auto discharge function* at OFF state. B: with auto discharge function* at OFF state.
d	Designation of Taping Type: Ex. TR (refer to Taping Specifications; for SOT-23-6 and DFN(PLP)1820-6), E2 (for WLCSP-6-P1)
e	Designation of composition of plating: -F : Lead free solder plating (SOT-23-6, WLCSP-6-P1) None : Au plating (DFN(PLP)1820-6)

*) When the mode is into standby with CE signal, auto discharge transistor turns on, and it makes the turn-off speed faster than normal type.

PIN CONFIGURATIONS




PIN DESCRIPTIONS

• SOT-23-6, WLCSP-6-P1

Pin No.	Symbol	Description
1	V_{OUT1}	Output Pin 1
2	V_{DD}	Input Pin
3	V_{OUT2}	Output Pin 2
4	CE2	Chip Enable Pin 2
5	GND	Ground Pin
6	CE1	Chip Enable Pin 1

• DFN(PLP)1820-6

Pin No.	Symbol	Description
1	V_{OUT2}	Output Pin 2
2	V_{DD}	Input Pin
3	V_{OUT1}	Output Pin 1
4	CE1	Chip Enable Pin 1
5	GND	Ground Pin
6	CE2	Chip Enable Pin 2

* Tab in the  parts have GND level.
(They are connected to the back side of this IC.)
Do not connect to other wires or land patterns.

ABSOLUTE MAXIMUM RATINGS

Symbol	Item	Rating	Unit
V_{IN}	Input Voltage	6.5	V
V_{CE}	Input Voltage (CE Pin)	-0.3 to 6.5	V
V_{OUT}	Output Voltage	-0.3 to $V_{IN}+0.3$	V
I_{OUT1}, I_{OUT2}	Output Current	200	mA
P_D	Power Dissipation (SOT-23-6) *	420	mW
	Power Dissipation (DFN(PLP)1820-6) *	880	
	Power Dissipation (WLCSP-6-P1) *	633	
T_{opt}	Operating Temperature Range	-40 to 85	°C
T_{stg}	Storage Temperature Range	-55 to 125	°C

*) For Power Dissipation, please refer to PACKAGE INFORMATION to be described.

ABSOLUTE MAXIMUM RATINGS

Electronic and mechanical stress momentarily exceeded absolute maximum ratings may cause the permanent damages and may degrade the life time and safety for both device and system using the device in the field.

The functional operation at or over these absolute maximum ratings is not assured.

ELECTRICAL CHARACTERISTICS

• R5326xxxxA/B

VR1/VR2

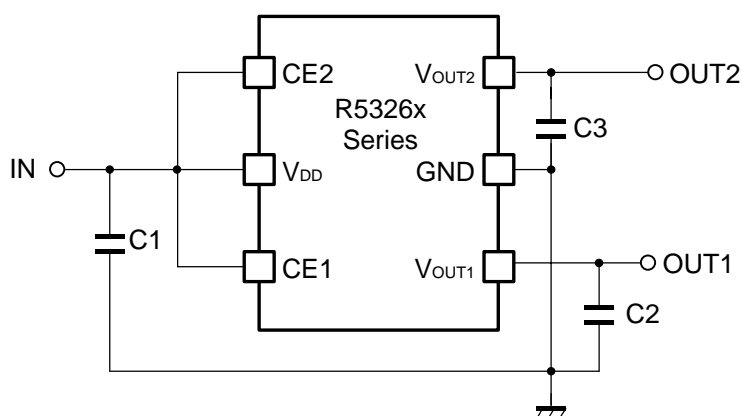
T_{opt}=25°C

Symbol	Item	Conditions	MIN.	TYP.	MAX.	Unit	
V _{OUT}	Output Voltage	V _{IN} -V _{OUT} =1V I _{OUT} =1mA	V _{OUT} > 1.5V	×0.99		×1.01	V
			V _{OUT} ≤ 1.5V	-15		+15	mV
I _{OUT}	Output Current	V _{IN} -V _{OUT} =1V	150			mA	
ΔV _{OUT} /ΔI _{OUT}	Load Regulation	V _{IN} -V _{OUT} =1V 1mA ≤ I _{OUT} ≤ 150mA			80	mV	
V _{DIF}	Dropout Voltage	I _{OUT} =150mA	0.8V ≤ V _{OUT} <0.9V		0.62	0.87	V
			0.9V ≤ V _{OUT} <1.0V		0.58	0.78	
			1.0V ≤ V _{OUT} <1.2V		0.48	0.69	
			1.2V ≤ V _{OUT} <1.5V		0.40	0.59	
			1.5V ≤ V _{OUT} <2.0V		0.31	0.48	
			2.0V ≤ V _{OUT} <2.8V		0.22	0.37	
			2.8 ≤ V _{OUT}		0.19	0.27	
I _{SS1}	Supply Current (Low Power Mode)	V _{IN} -V _{OUT} =1V, I _{OUT} =0mA		5.5	16	μA	
I _{SS2}	Supply Current (Fast Mode)	V _{IN} -V _{OUT} =1V, I _{OUT} =10mA		50	105	μA	
I _{standby}	Standby Current	V _{IN} =6V, V _{CE1} =V _{CE2} =GND		0.1	1.0	μA	
I _{OUTL}	Low Power Mode Current threshold	V _{IN} -V _{OUT} =1V, I _{OUT} =30mA to 1μA		0.6		mA	
I _{OUTH}	Fast Response Mode Current threshold	V _{IN} -V _{OUT} =1V, I _{OUT} =1μA to 30mA		3		mA	
ΔV _{OUT} /ΔV _{IN}	Line Regulation	V _{OUT} +0.5V ≤ V _{IN} ≤ 6V I _{OUT} =30mA (*V _{IN} ≥ 1.8V)		±0.02	±0.2	%/V	
RR	Ripple Rejection	Ripple 0.2Vp-p, V _{IN} -V _{OUT} =1V, I _{OUT} =30mA (In case that V _{OUT} <1.5V, V _{IN} -V _{OUT} =1.5V)	f=1kHz		70		dB
			f=10kHz		60		
V _{IN}	Input Voltage		1.4		6.0	V	
ΔV _{OUT} /ΔT _{opt}	Output Voltage Temperature Coefficient	I _{OUT} =30mA, -40°C ≤ T _{opt} ≤ 85°C		±100		ppm/ °C	
I _{lim}	Short Current Limit	V _{OUT} =0V		50		mA	
I _{PD}	CE Pull-down Current		0.15	0.30	0.45	μA	
V _{CEH}	CE Input Voltage "H"		1.0		6.0	V	
V _{CEL}	CE Input Voltage "L"		0		0.4	V	
en	Output Noise	BW=10Hz to 100kHz		30		μV _{rms}	
R _{LOW}	Low Output Nch Tr. ON Resistance (of B version)			40		Ω	

RECOMMENDED OPERATING CONDITIONS (ELECTRICAL CHARACTERISTICS)

All of electronic equipment should be designed that the mounted semiconductor devices operate within the recommended operating conditions. The semiconductor devices cannot operate normally over the recommended operating conditions, even if when they are used over such conditions by momentary electronic noise or surge. And the semiconductor devices may receive serious damage when they continue to operate over the recommended operating conditions.

TYPICAL APPLICATION



(External Components)

Capacitor; Ceramic Type

C1 : 1.0 μ F Ceramic

C2, C3 : Refer to the following table

Recommended Ceramic capacitor for Output (C2, C3)

Output Voltage Range	Minimum Input Voltage	
	$1.4V \leq V_{IN} < 1.65V$	$1.65V \leq V_{IN}$
$0.8V \leq V_{OUT} < 1.2V$	3.3 μ F or more	2.2 μ F or more
$1.2V \leq V_{OUT} \leq 4.2V$	3.3 μ F or more	1.0 μ F or more

Output Capacitors

3.3 μ F (Murata) GRM219B31A335KE18B

2.2 μ F (Murata) GRM155B30J225M

1.0 μ F (Murata) GRM155B31A105KE15

TECHNICAL NOTES

When using these ICs, consider the following points:

Mounting on PCB

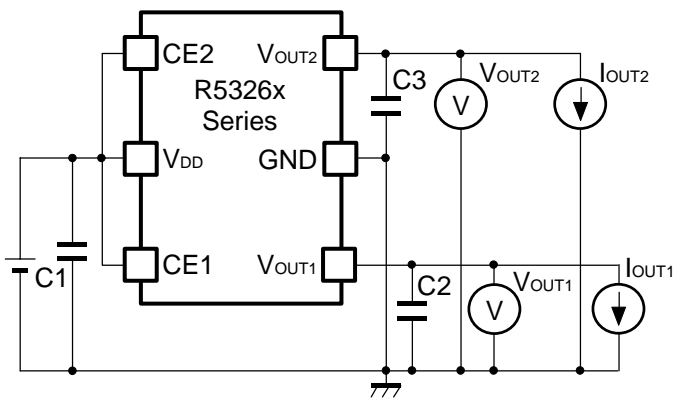
Make V_{DD} and GND lines sufficient. If their impedance is high, noise pickup or unstable operation may result. Connect a capacitor with a capacitance value as much as $1.0\mu\text{F}$ or more as C1 between V_{DD} and GND pin, and as close as possible to the pins.

Set external components, especially the output capacitor, as close as possible to the ICs, and make wiring as short as possible.

Phase Compensation

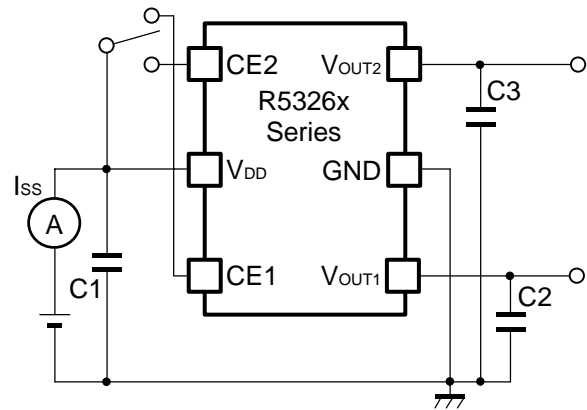
In these ICs, phase compensation is made for securing stable operation even if the load current is varied. For this purpose, use capacitors C2 and C3 which are shown below table "Recommended Ceramic capacitor for output". If you use a tantalum type capacitor and ESR value of the capacitor is large, output might be unstable. Evaluate your circuit with considering frequency characteristics.

TEST CIRCUITS



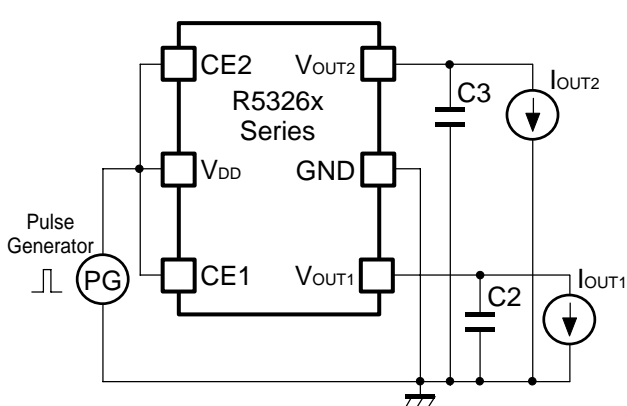
C1=Ceramic $1.0\mu\text{F}$
C2,C3=refer to the term of the external capacitors

Fig.1 Standard test Circuit



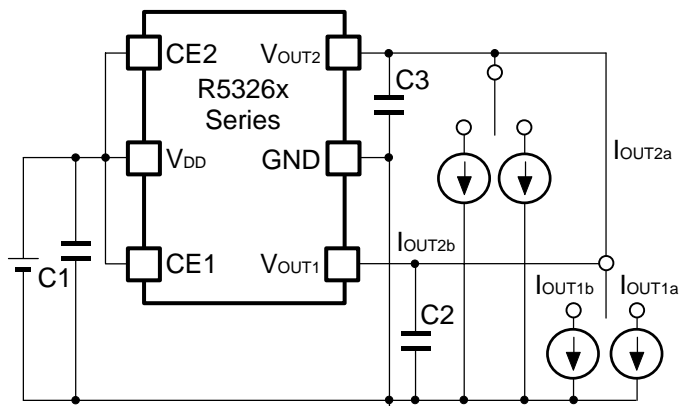
C1=Ceramic $1.0\mu\text{F}$
C2,C3=refer to the term of the external capacitors

Fig.2 Supply Current Test Circuit



C2,C3= refer to the term of the external capacitors

Fig.3 Ripple Rejection, Line Transient Response Test Circuit

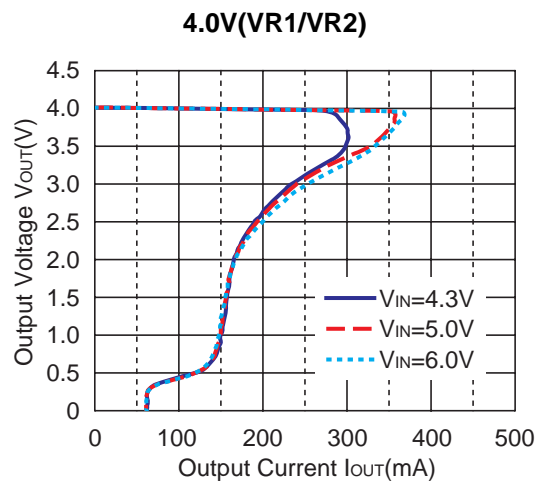
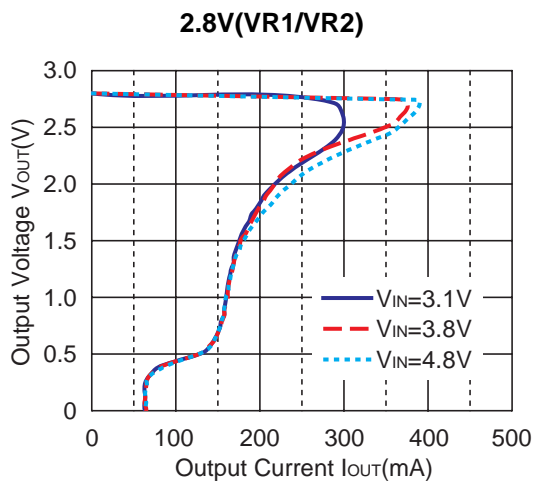
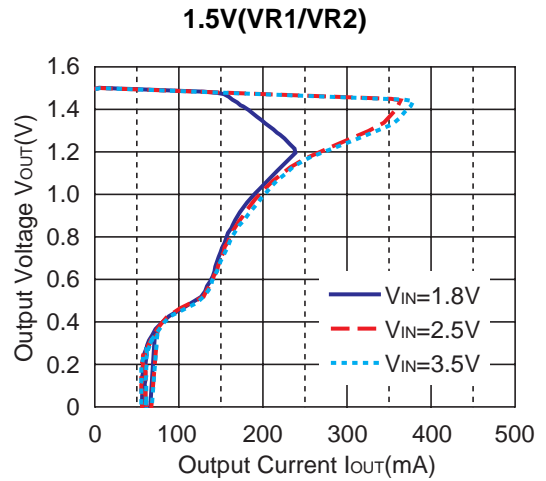
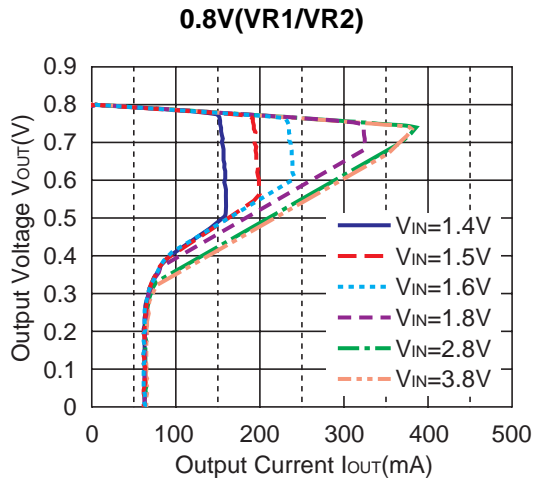


C1=Ceramic $1.0\mu\text{F}$
C2,C3= refer to the term of the external capacitors

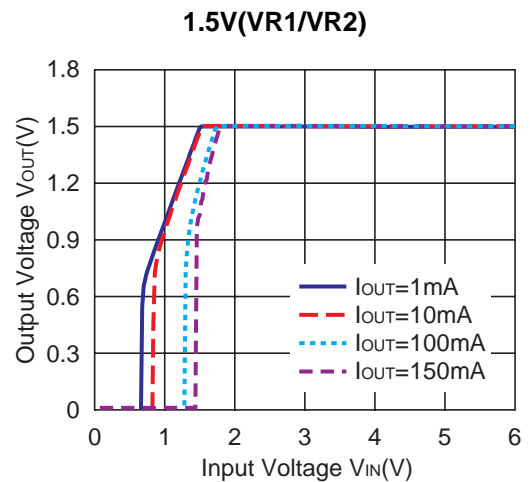
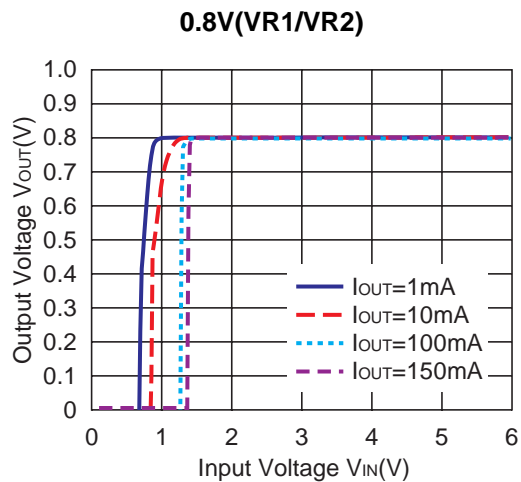
Fig.4 Load Transient Response Test Circuit

TYPICAL CHARACTERISTICS

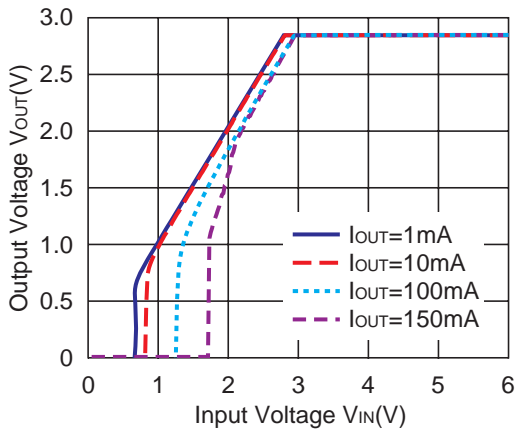
1) Output Voltage vs. Output Current



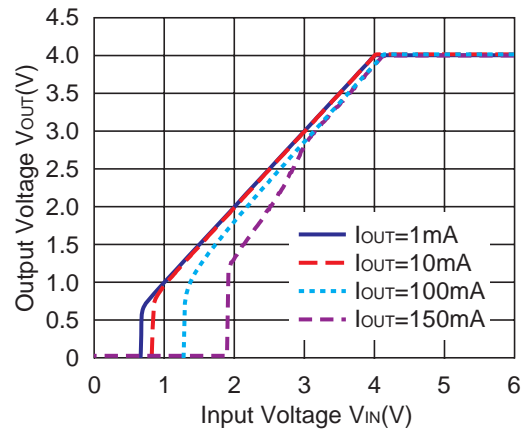
2) Input Voltage vs. Output Voltage



2.8V(VR1/VR2)

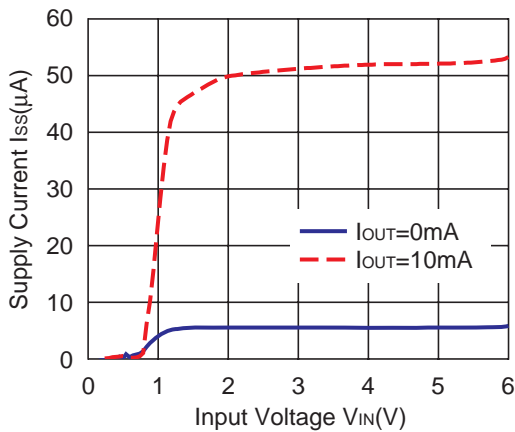


4.0V(VR1/VR2)

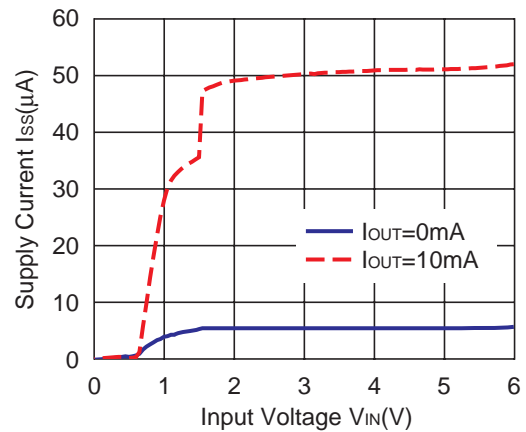


3) Supply Current vs. Input Voltage

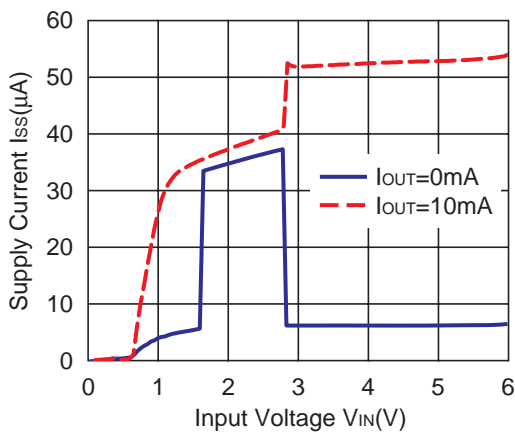
0.8V(VR1/VR2)



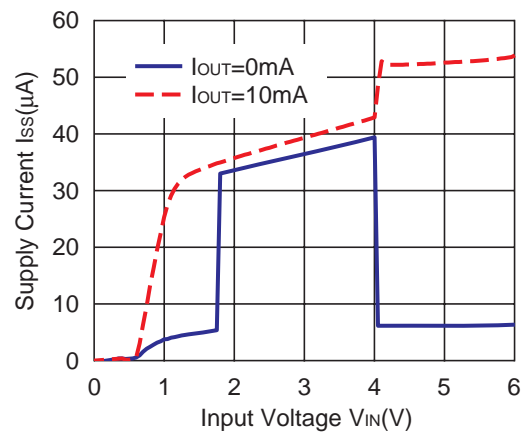
1.5V(VR1/VR2)



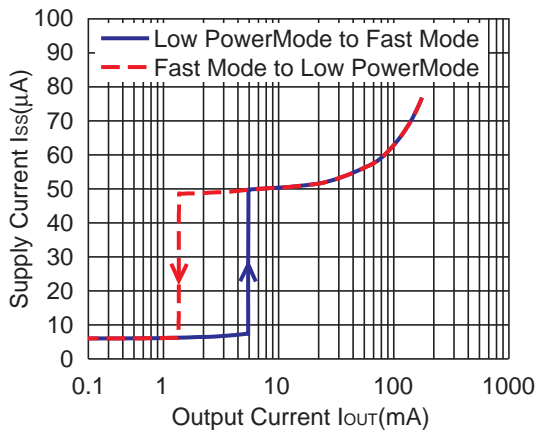
2.8V(VR1/VR2)



4.0V(VR1/VR2)

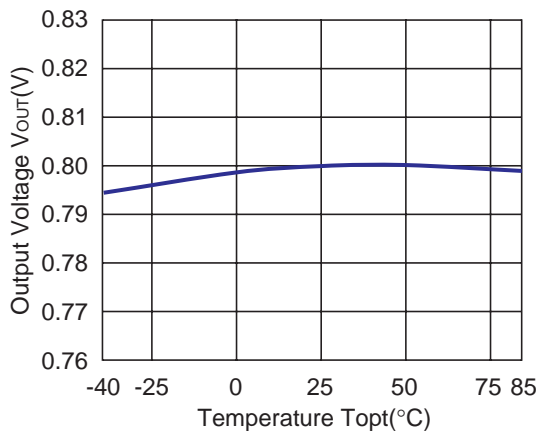


4) Supply current vs. Output current

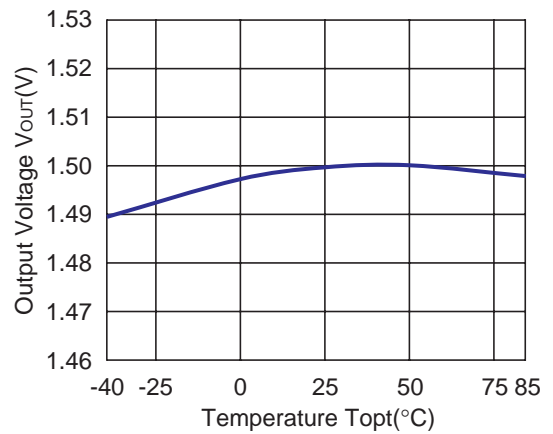


5) Output Voltage vs. Temperature

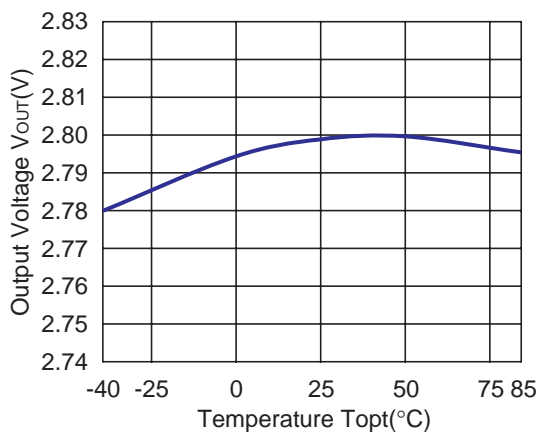
0.8V(VR1/VR2)



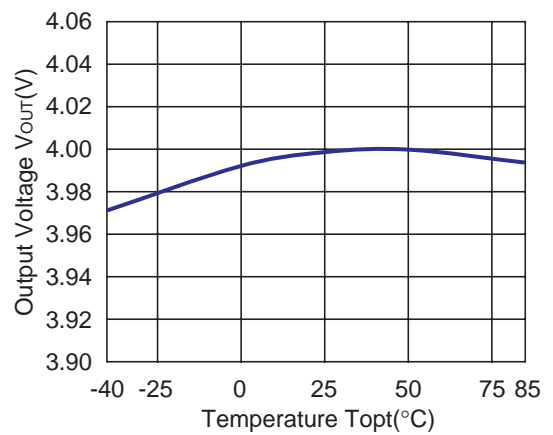
1.5V(VR1/VR2)



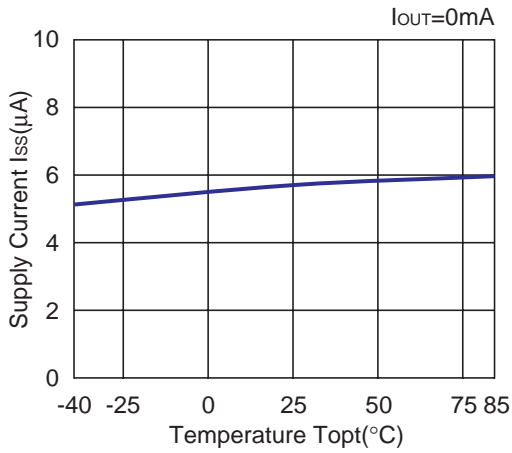
2.8V(VR1/VR2)



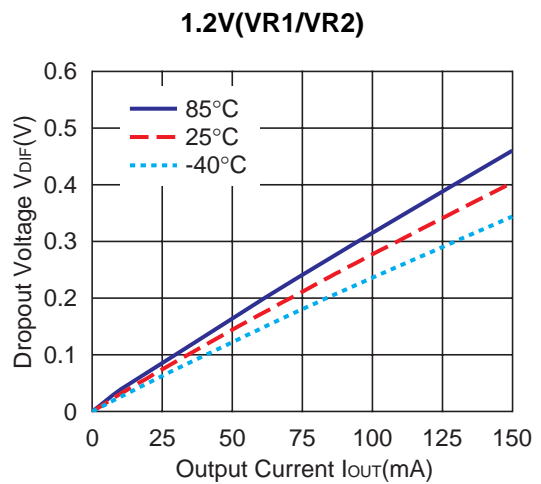
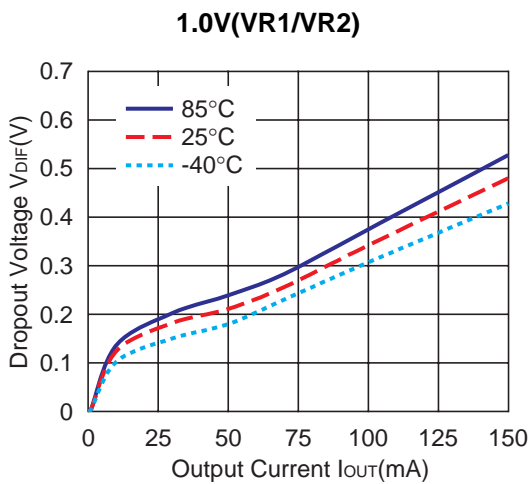
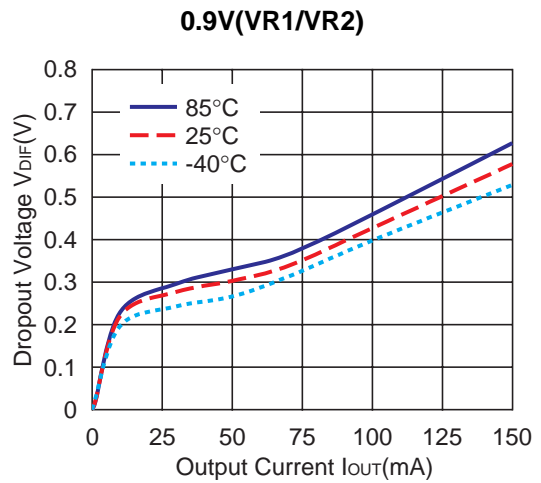
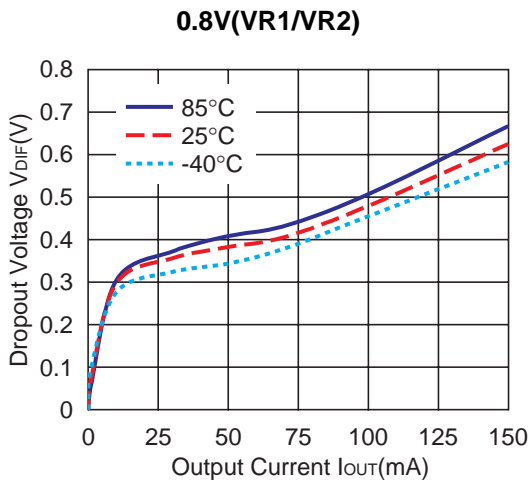
4.0V(VR1/VR2)

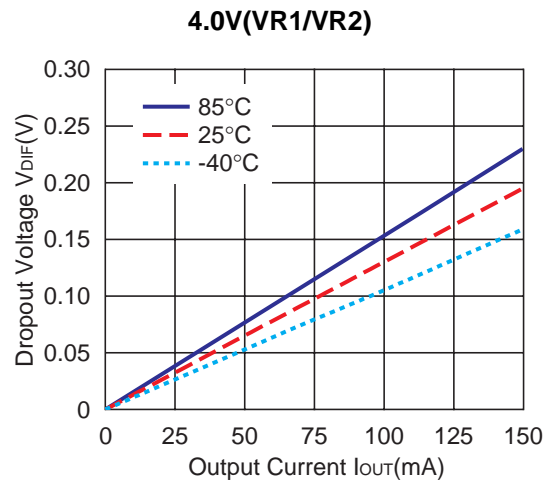
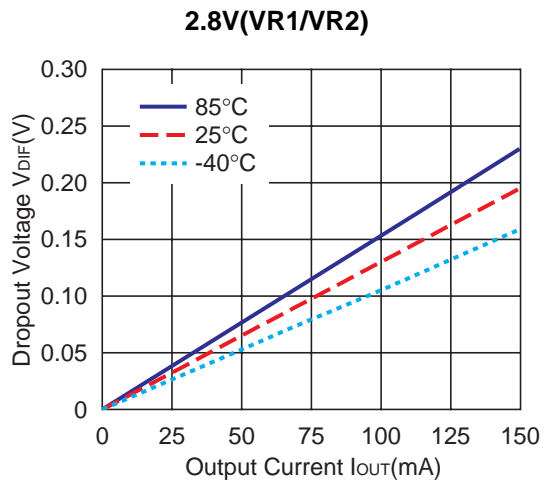
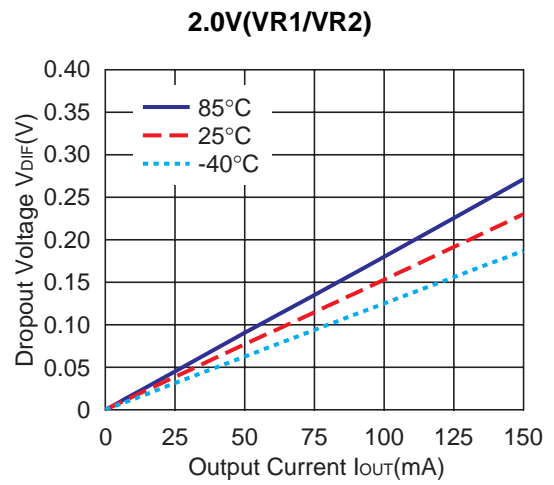
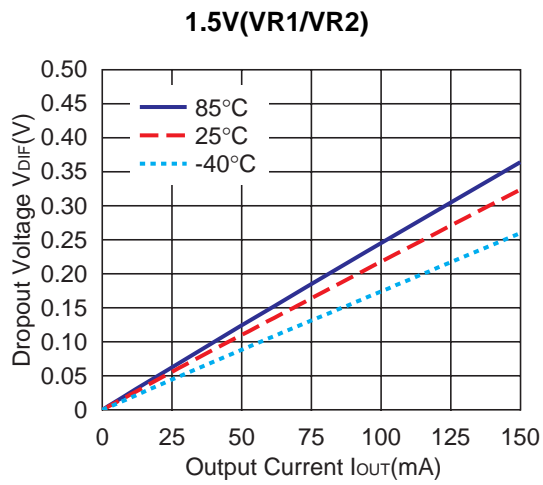


6) Supply Current vs. Temperature

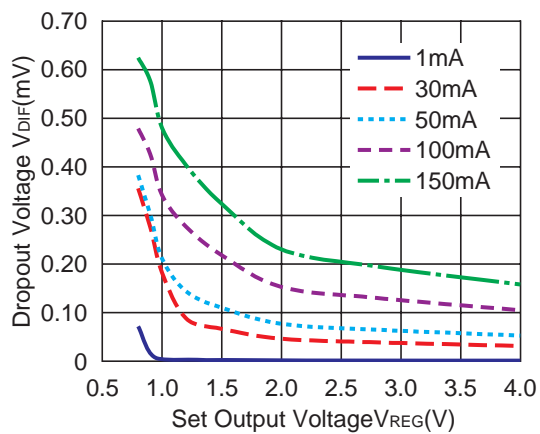


7) Dropout Voltage vs. Output Current



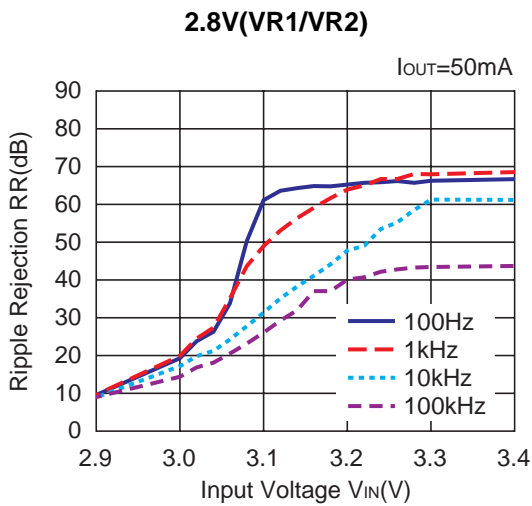
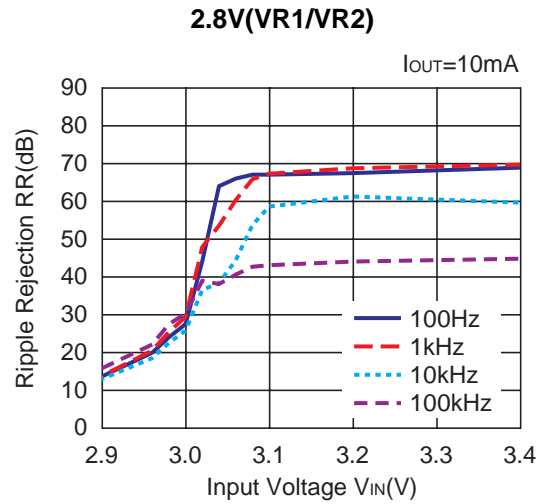
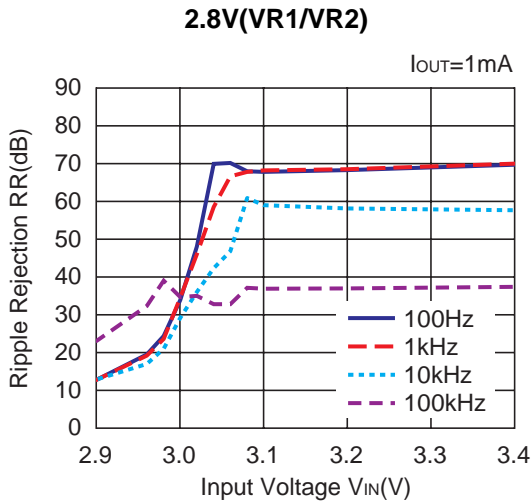


8) Dropout Voltage vs. Set Output Voltage



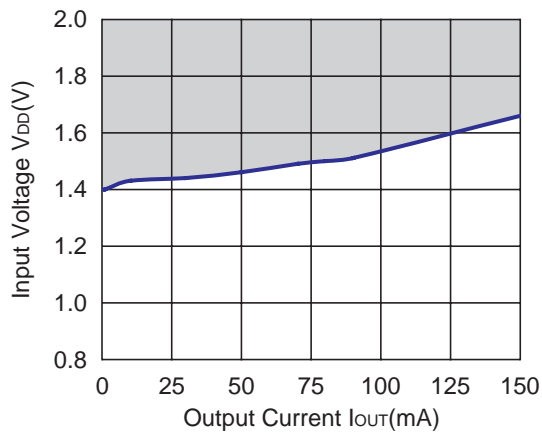
9) Ripple Rejection vs. Input Voltage

(Topt=25°C, Ripple 0.5Vp-p, CIN=none, COUT=Ceramic 1.0μF)



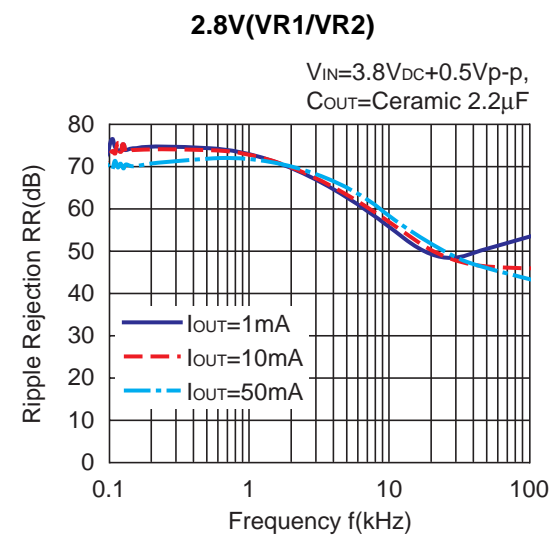
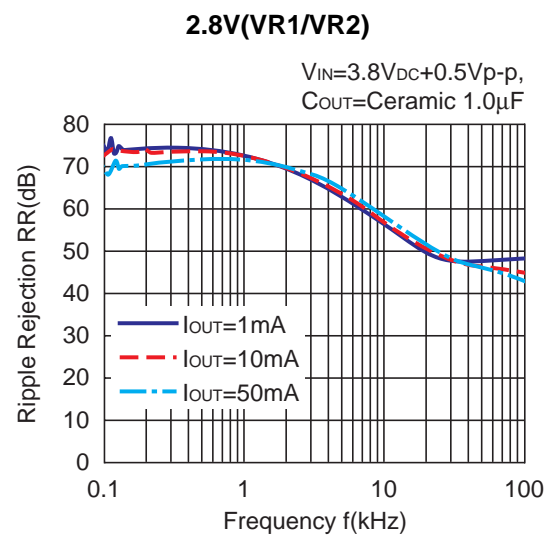
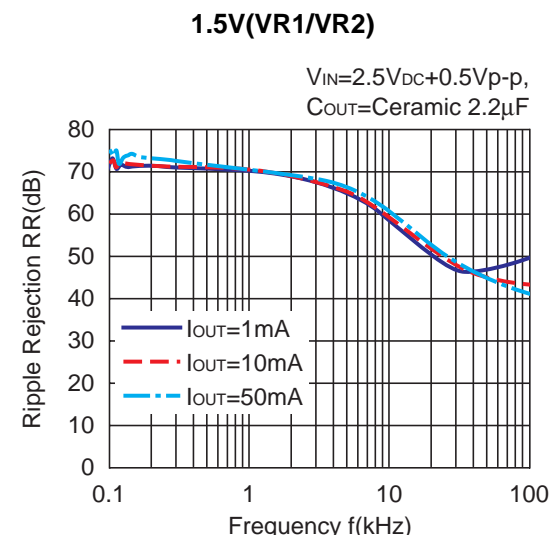
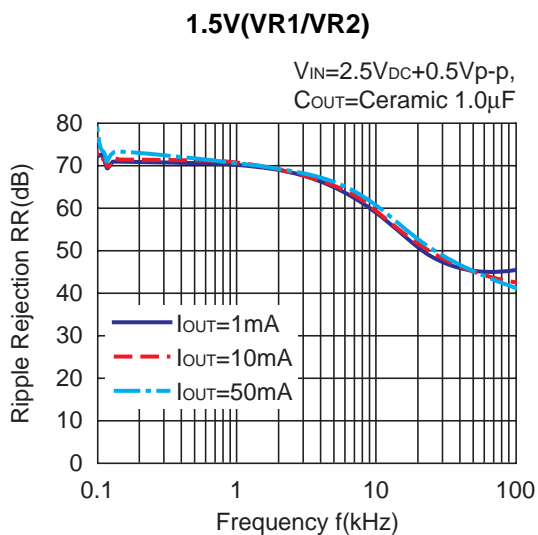
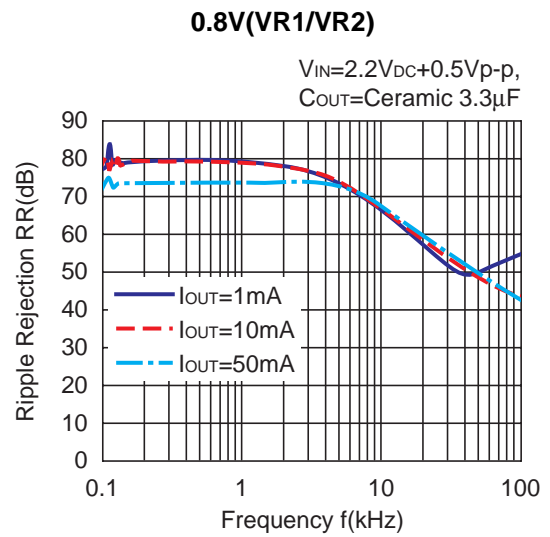
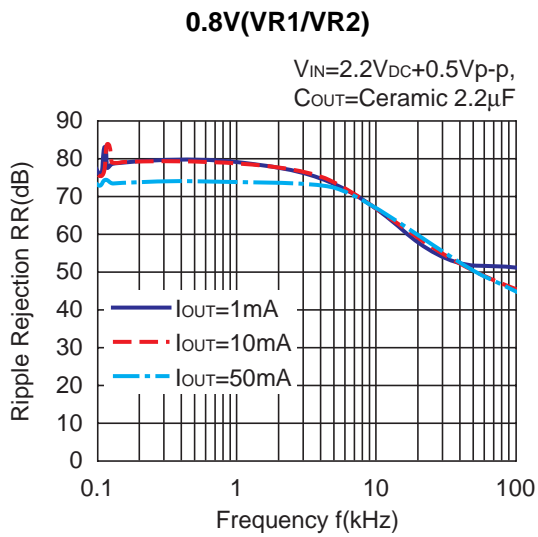
10) Minimum Operating Voltage

0.8V(VR1/VR2)

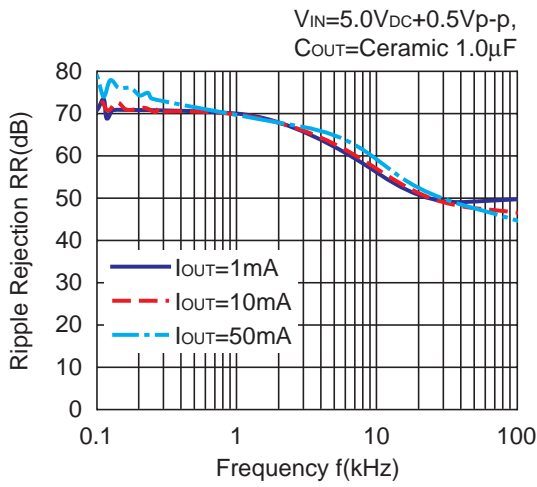


Hatched area is available for 0.8V output

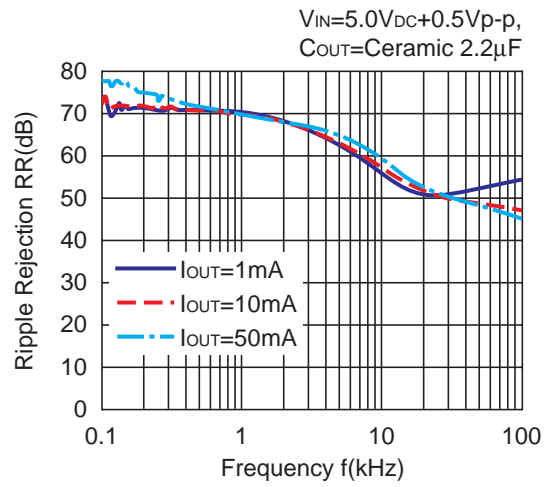
11) Ripple Rejection vs Frequency (C_{IN}=none)



4.0V(VR1/VR2)

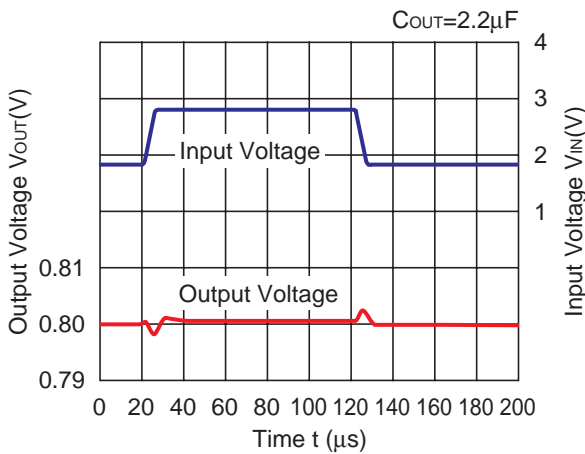


4.0V(VR1/VR2)

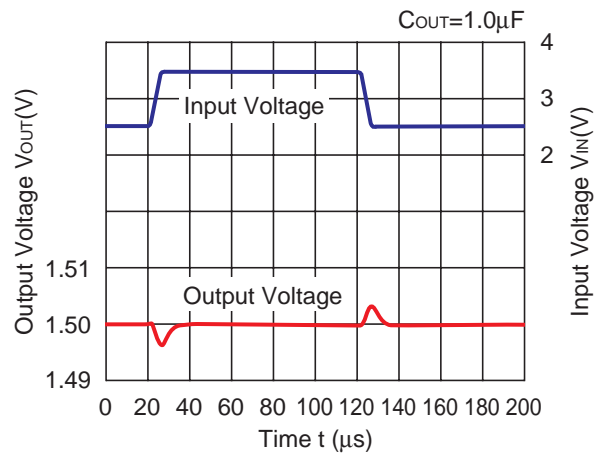


12) Input Transient Response ($I_{OUT}=30mA, tr=tf=5\mu s, C_{IN}=\text{none}$)

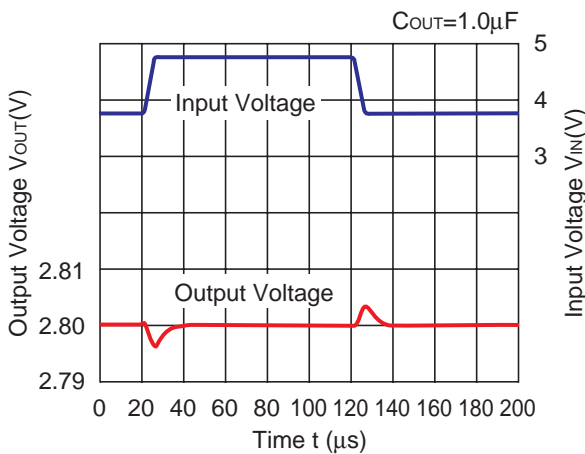
0.8V(VR1/VR2)



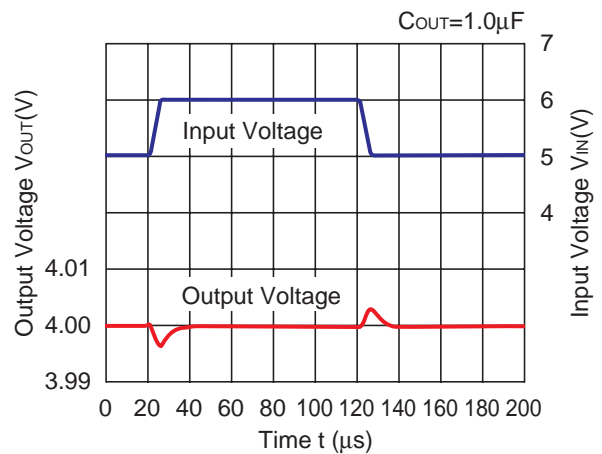
1.5V(VR1/VR2)



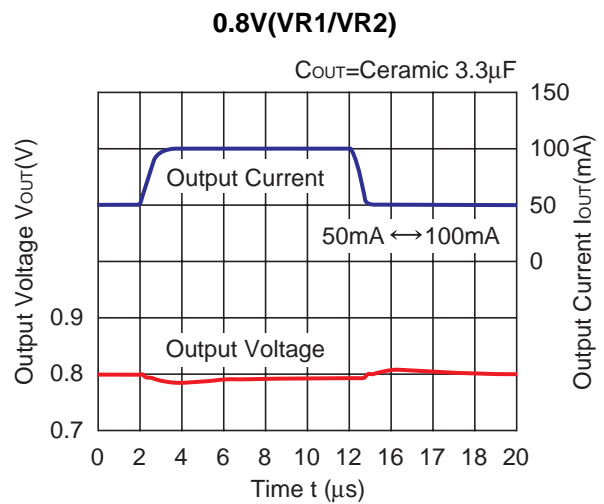
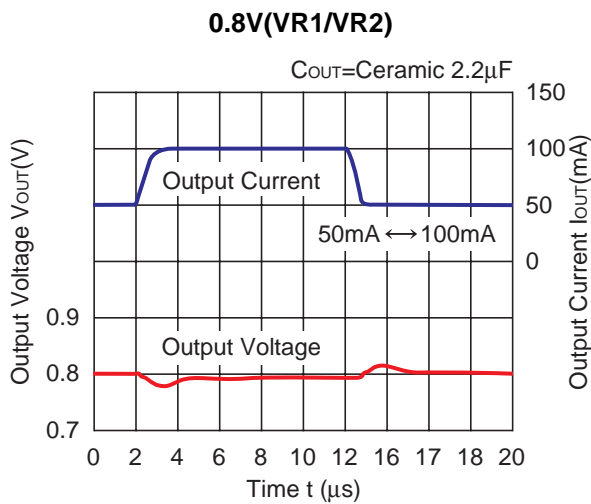
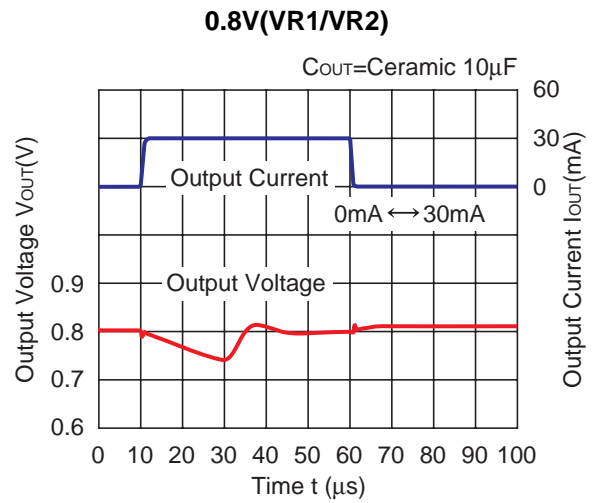
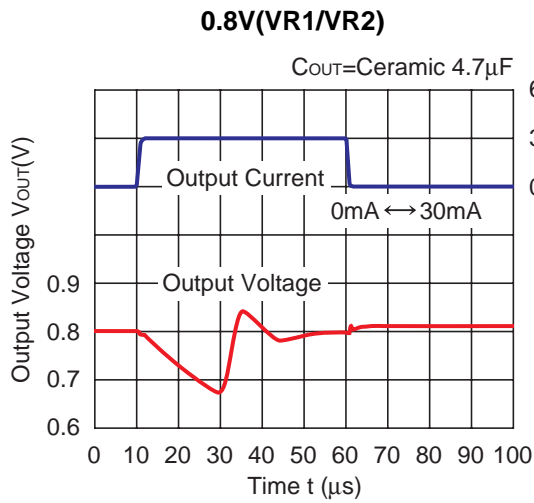
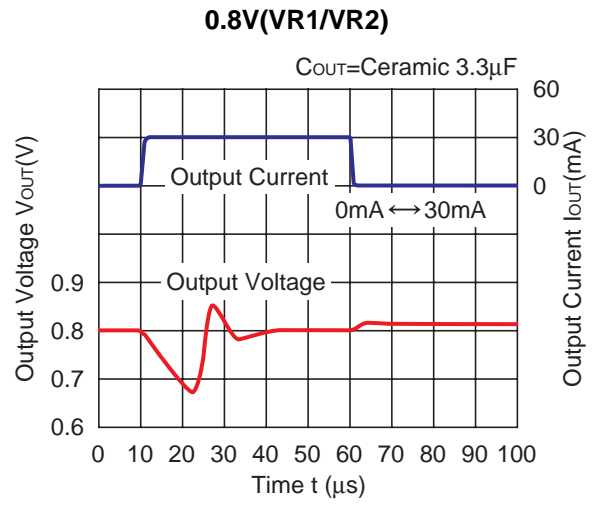
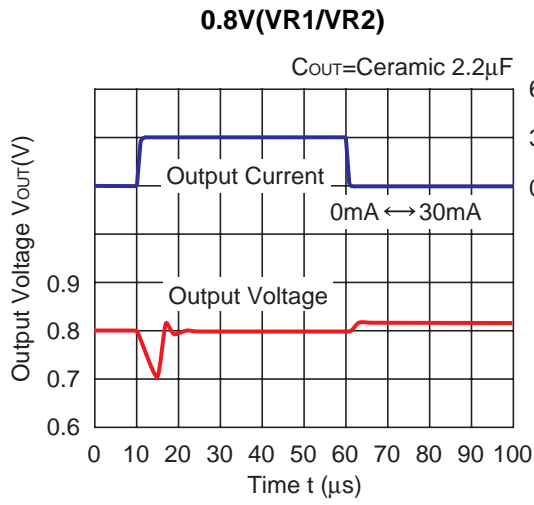
2.8V(VR1/VR2)



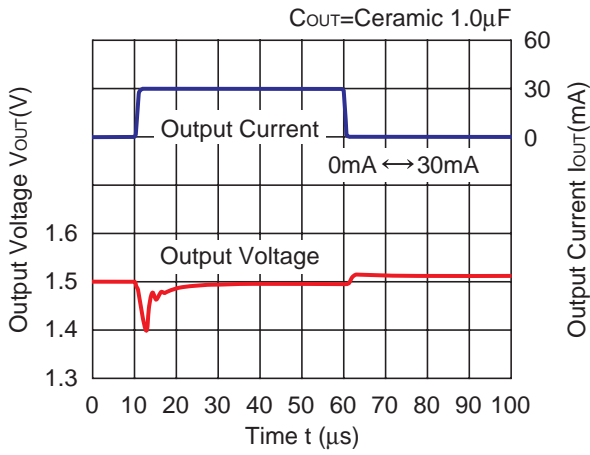
4.0V(VR1/VR2)



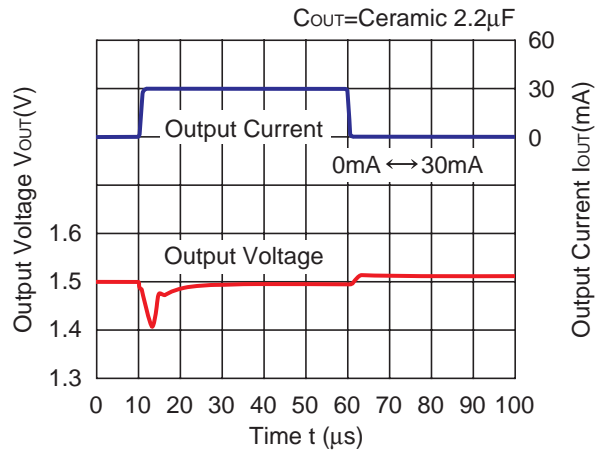
13) Load Transient Response1 ($t_r=t_f=0.5\mu s$, $C_{IN}=1.0\mu F$)



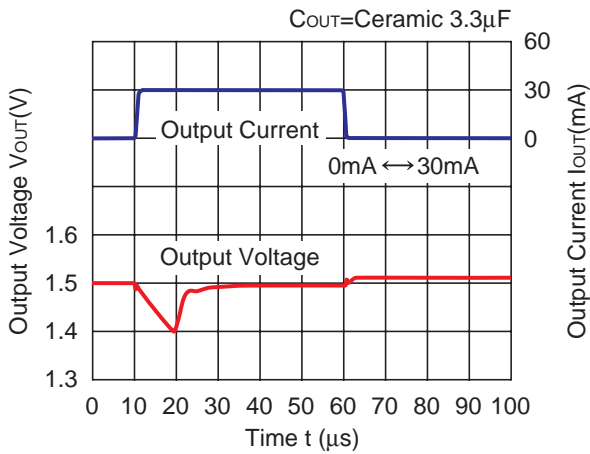
1.5V (VR1/VR2)



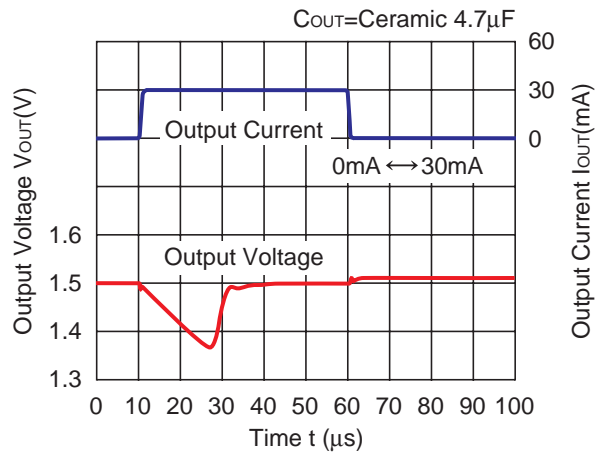
1.5V (VR1/VR2)



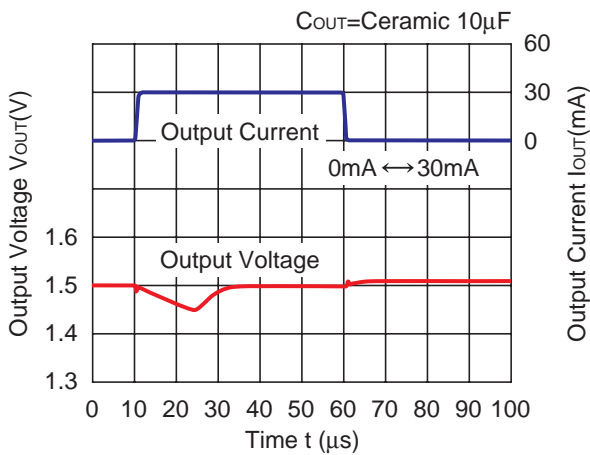
1.5V (VR1/VR2)



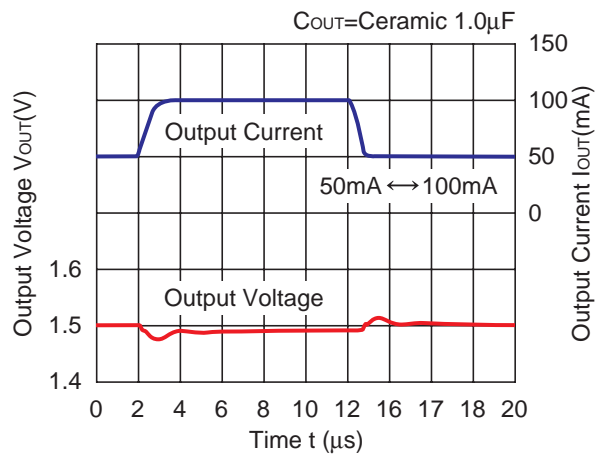
1.5V (VR1/VR2)



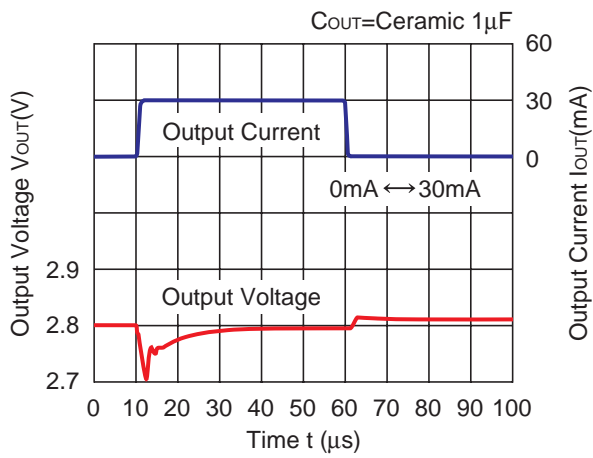
1.5V (VR1/VR2)



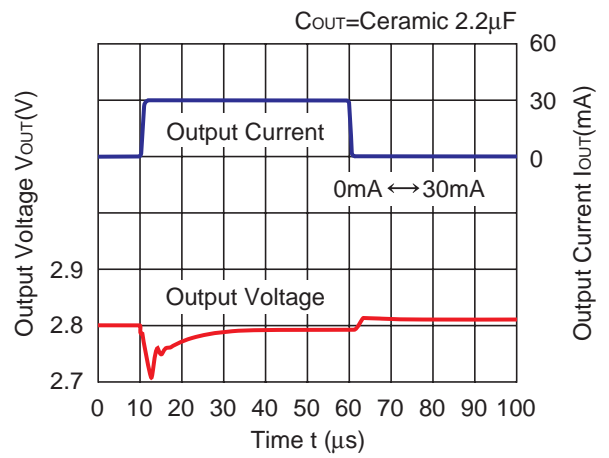
1.5V (VR1/VR2)



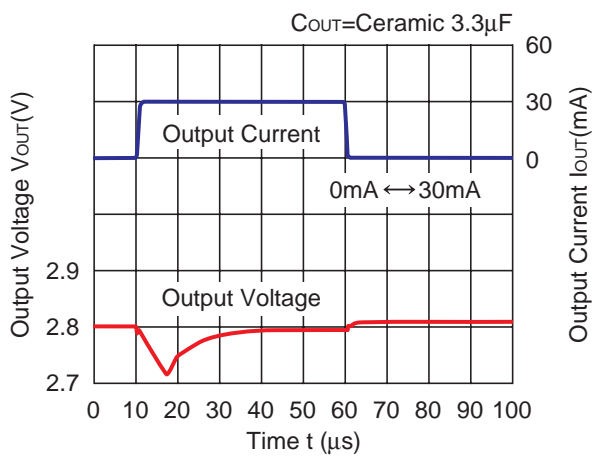
2.8V (VR1/VR2)



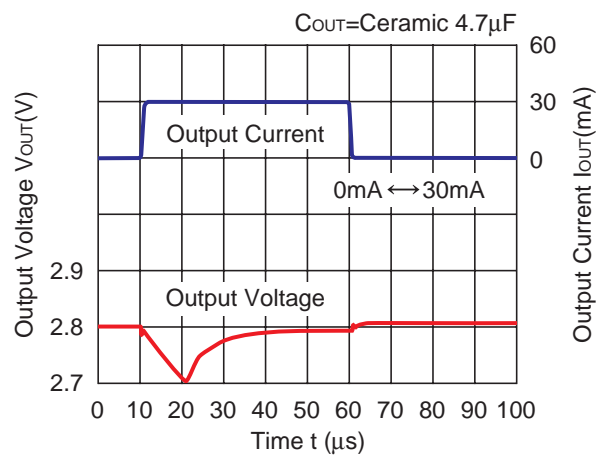
2.8V (VR1/VR2)



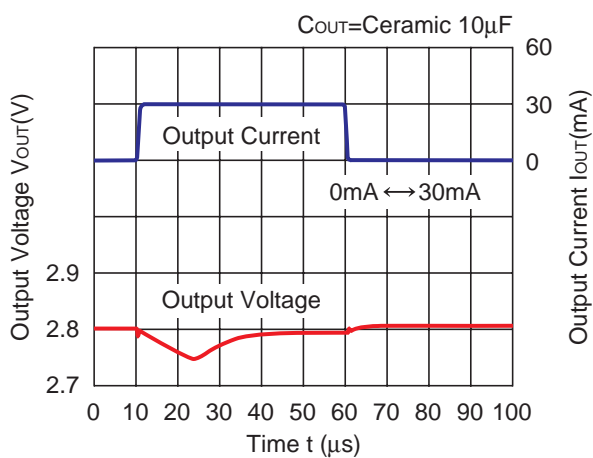
2.8V (VR1/VR2)



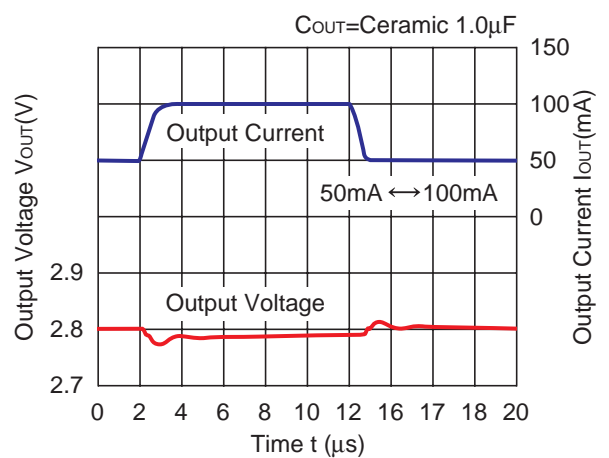
2.8V (VR1/VR2)



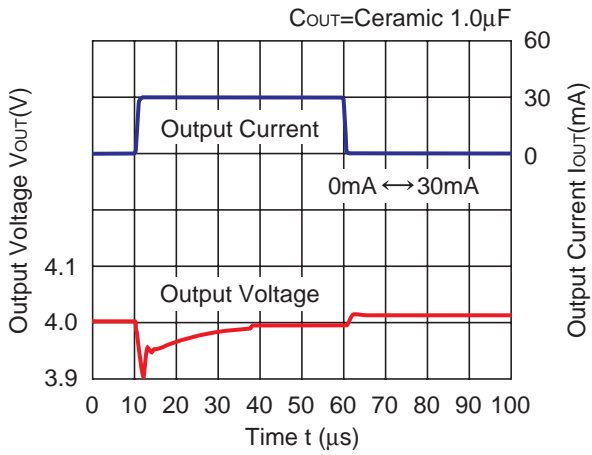
2.8V (VR1/VR2)



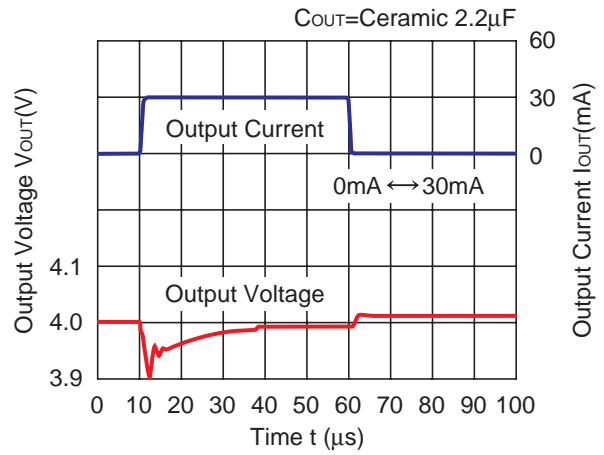
2.8V (VR1/VR2)



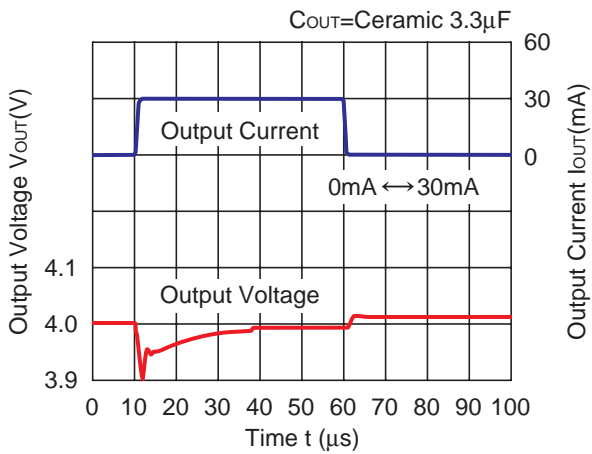
4.0V (VR1/VR2)



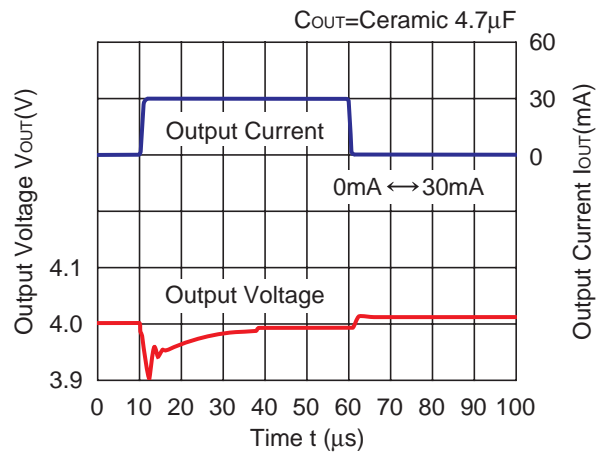
4.0V (VR1/VR2)



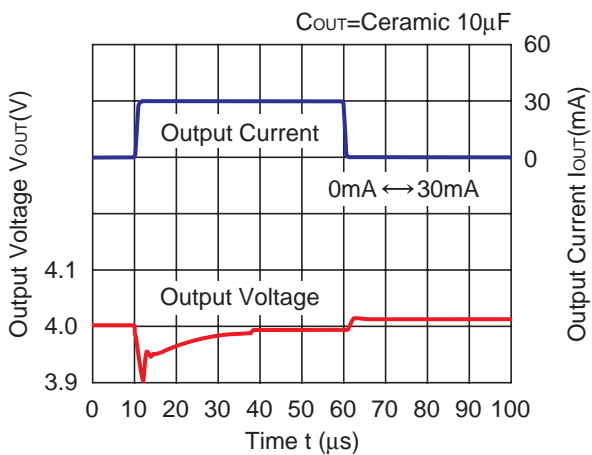
4.0V (VR1/VR2)



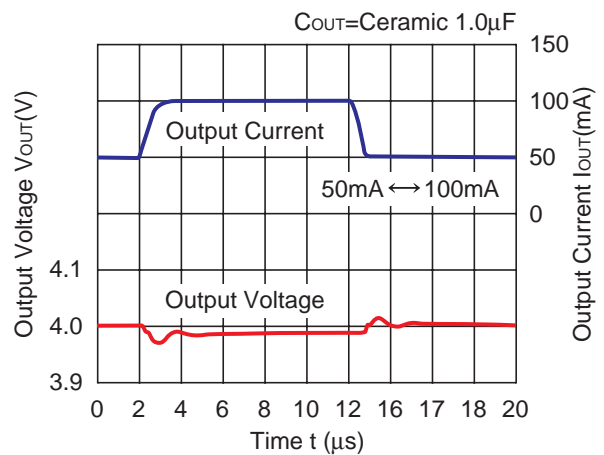
4.0V (VR1/VR2)



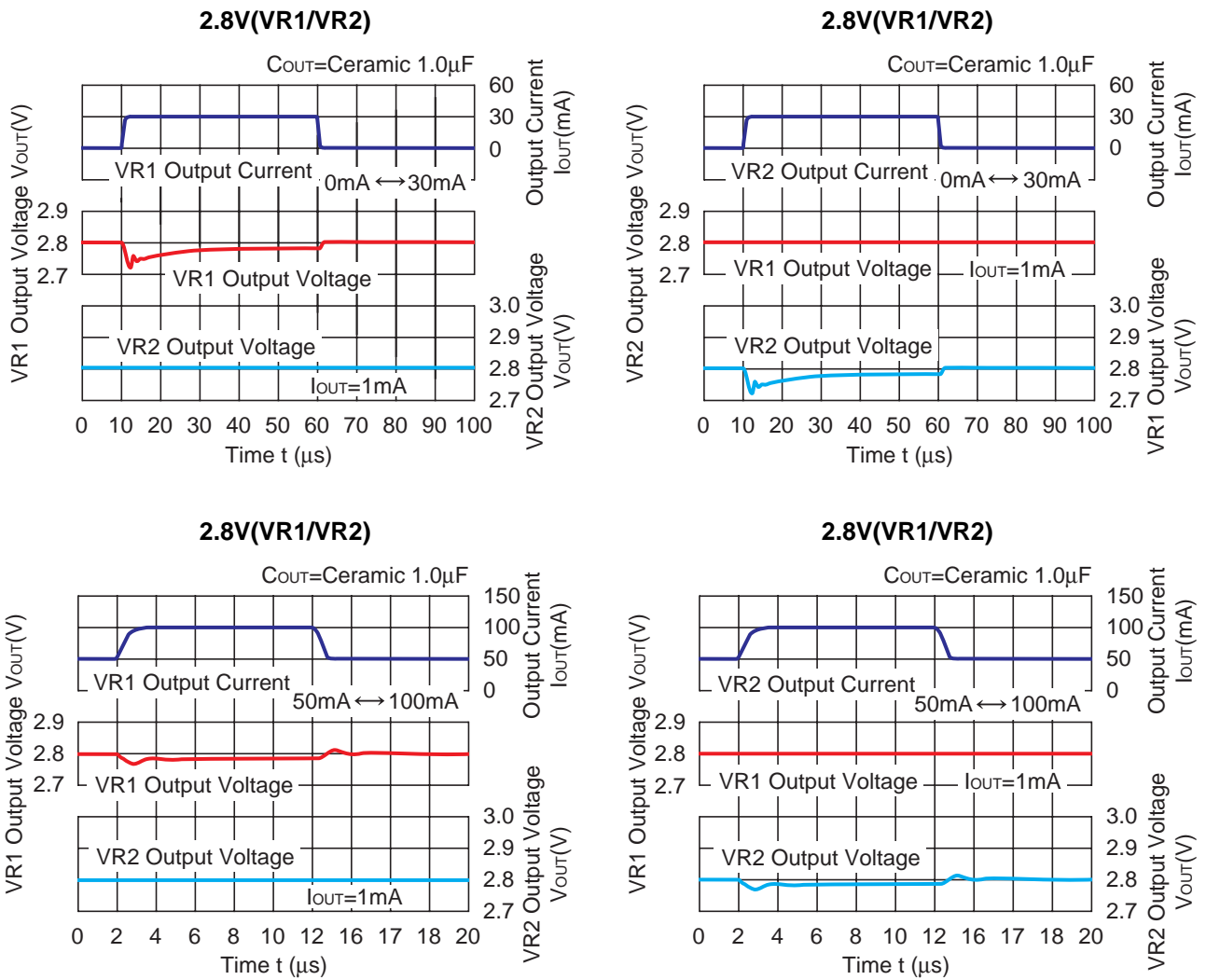
4.0V (VR1/VR2)



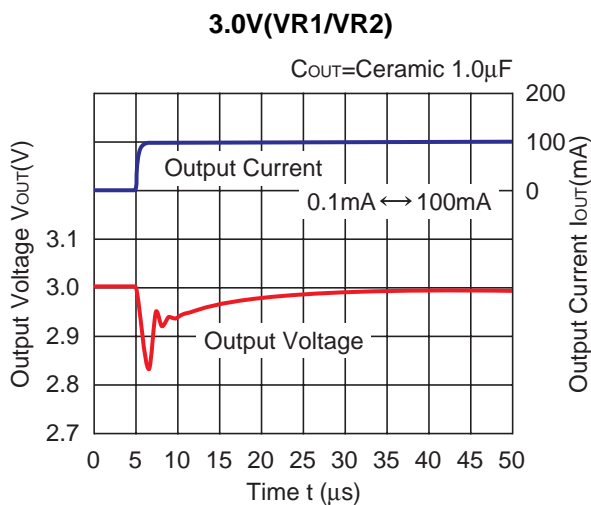
4.0V (VR1/VR2)



14) Load Transient Response2 ($t_r=t_f=0.5\mu s$, $C_{IN}=1.0\mu F$)

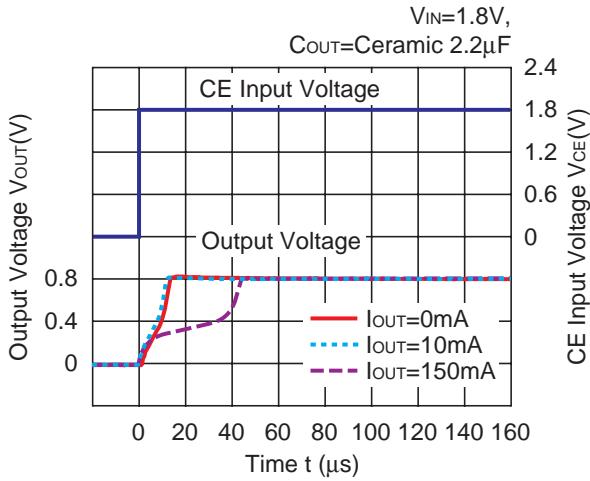


15) Load Transient Response3 ($t_r=t_f=10ns$)

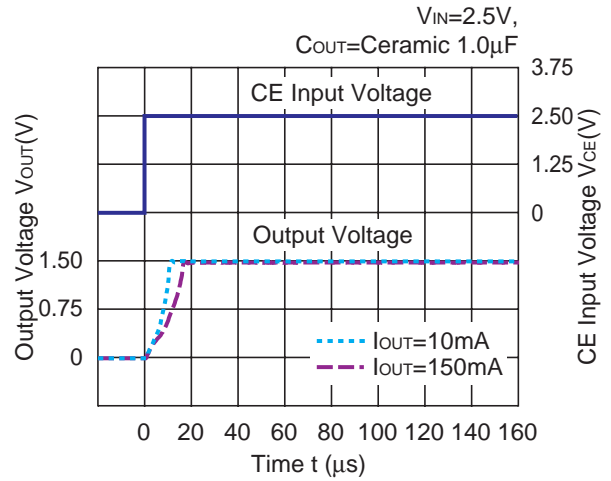


16) Turn on speed with CE Pin (C_{IN} =Ceramic 1.0 μ F)

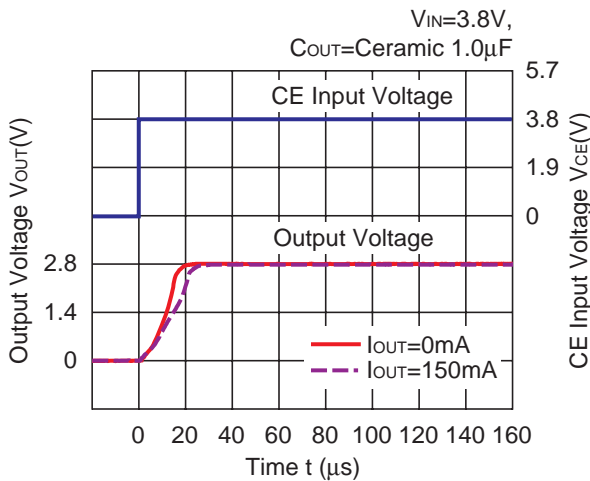
0.8V(VR1/VR2)



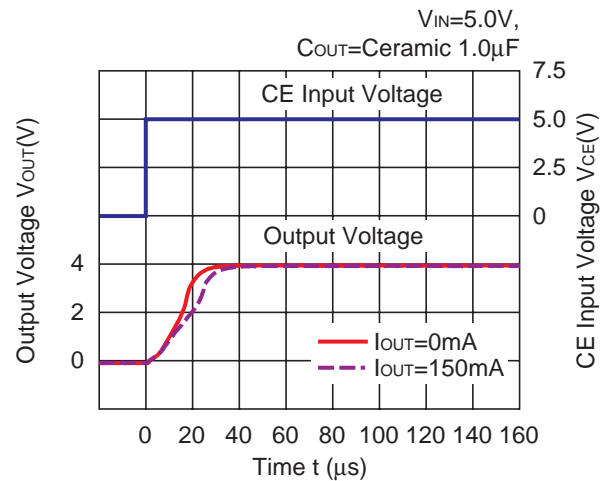
1.5V(VR1/VR2)



2.8V(VR1/VR2)

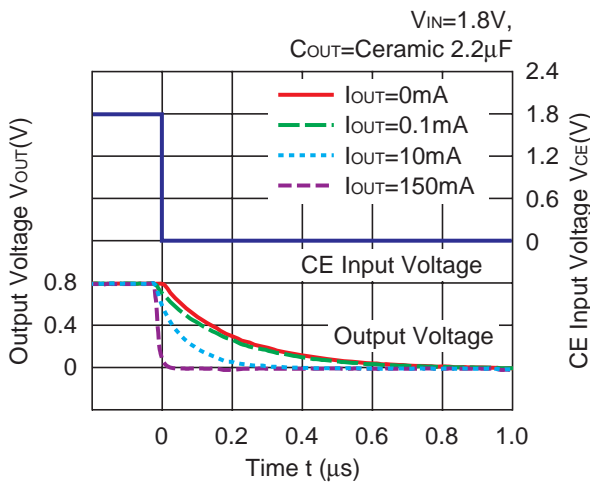


4.0V(VR1/VR2)

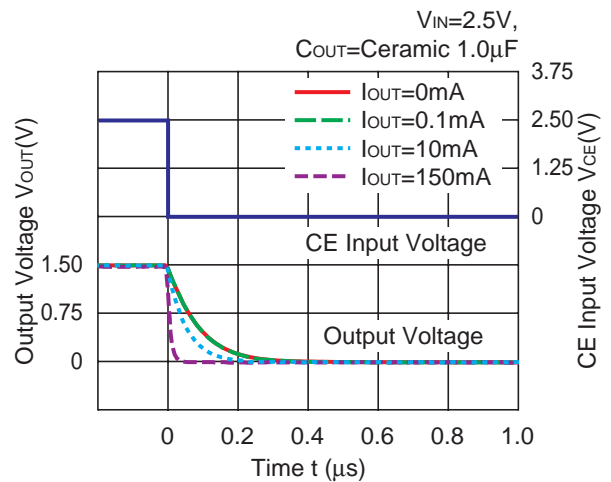


17) Turn off speed with CE Pin (C_{IN} =Ceramic 1.0 μ F)

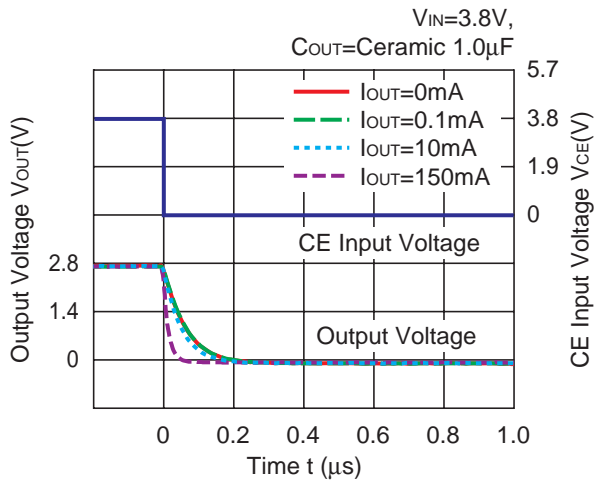
0.8V(VR1/VR2)



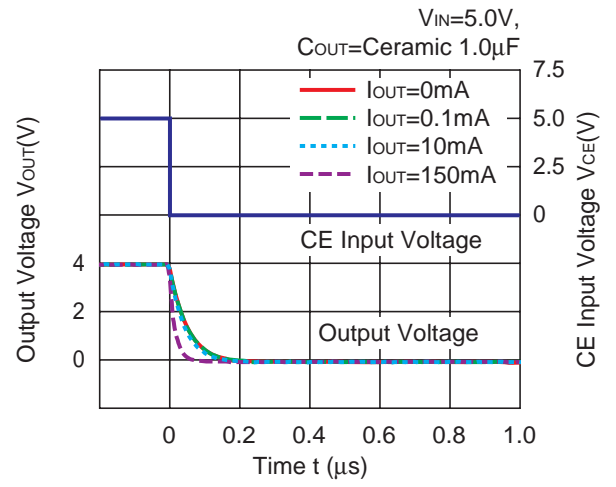
1.5V(VR1/VR2)



2.8V(VR1/VR2)



4.0V(VR1/VR2)



ESR vs. Output Current

When using these ICs, consider the following points:

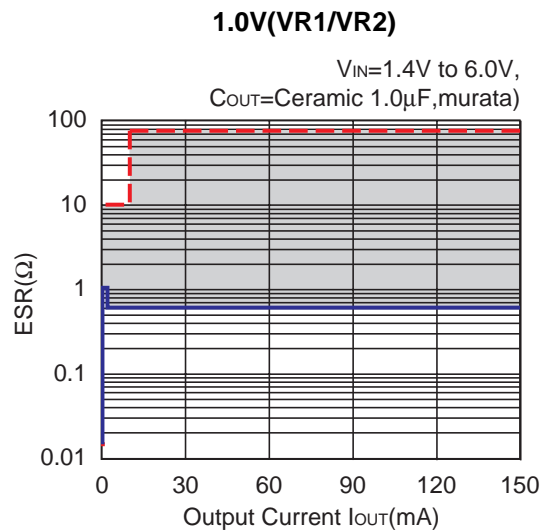
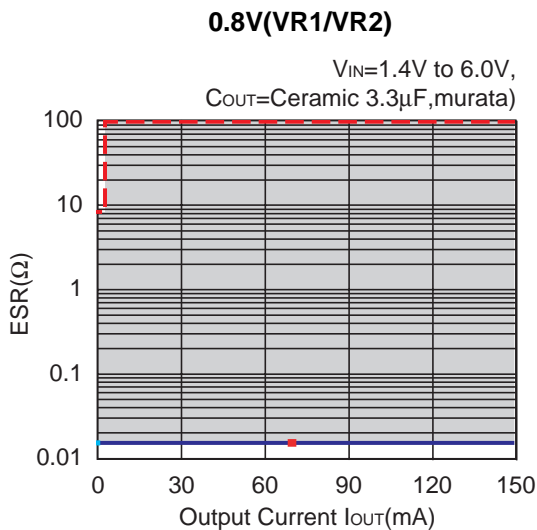
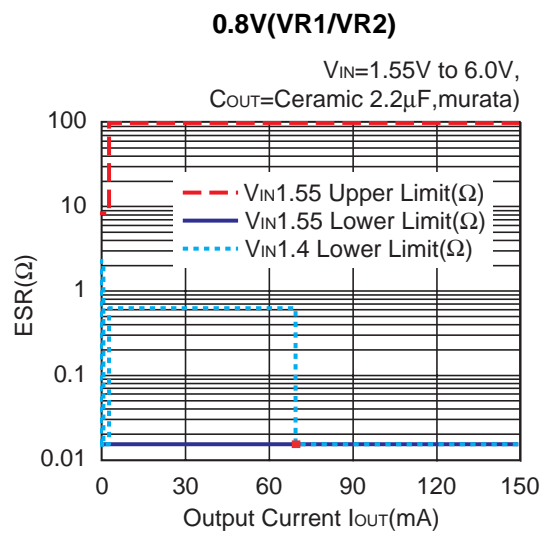
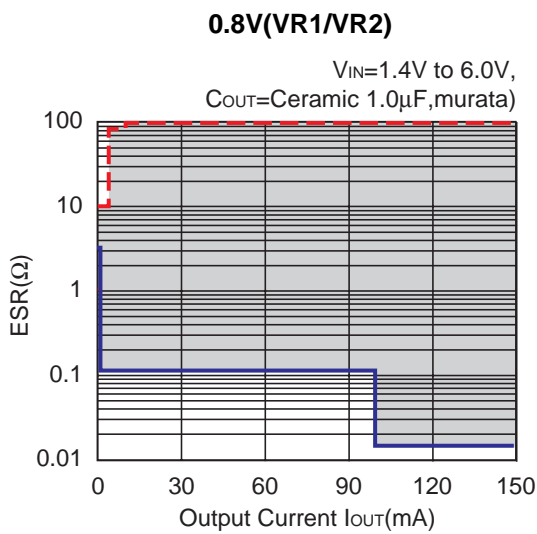
The relations between I_{OUT} (Output Current) and ESR of an output capacitor are shown below.

The conditions when the white noise level is under $40\mu V$ (Avg.) are marked as the hatched area in the graph.

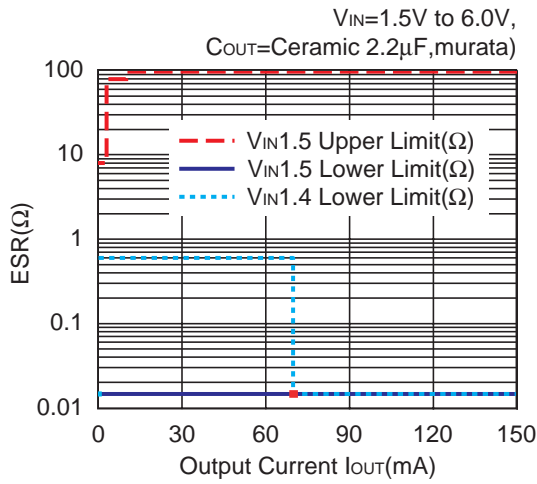
Measurement conditions

Frequency Band : 10Hz to 2MHz

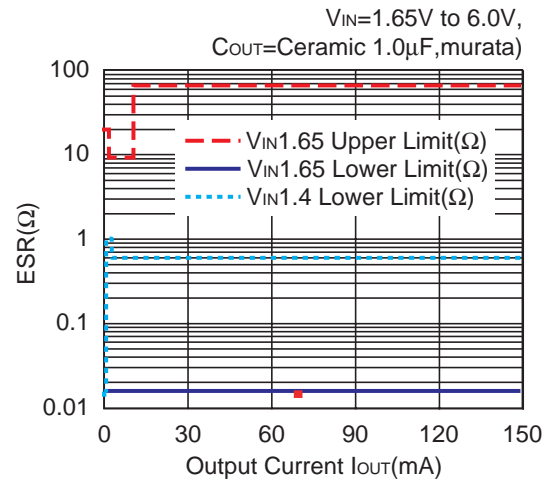
Temperature : $-40^{\circ}C$ to $85^{\circ}C$



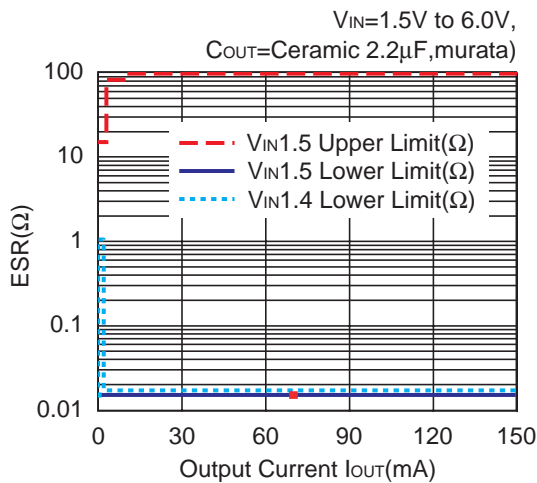
1.0V(VR1/VR2)



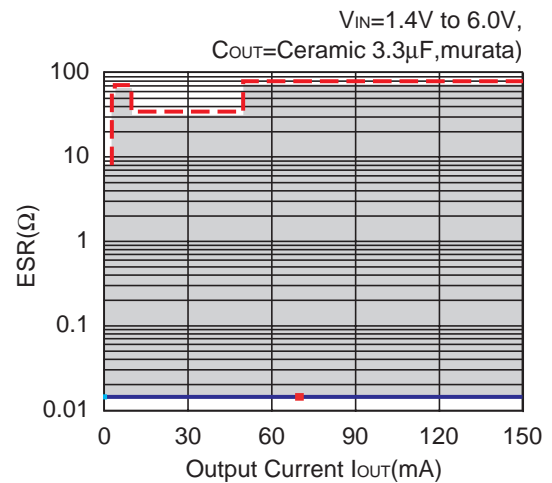
1.2V(VR1/VR2)



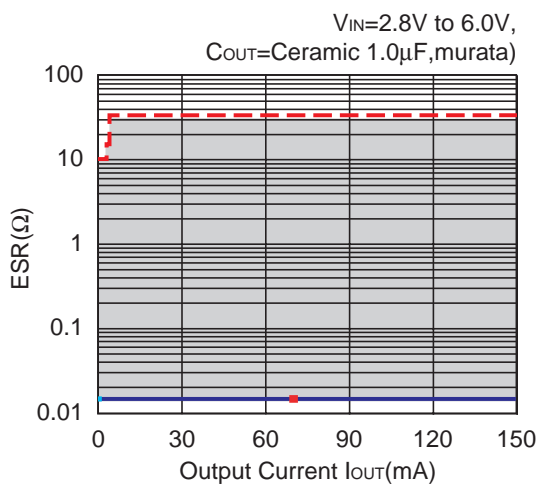
1.2V(VR1/VR2)



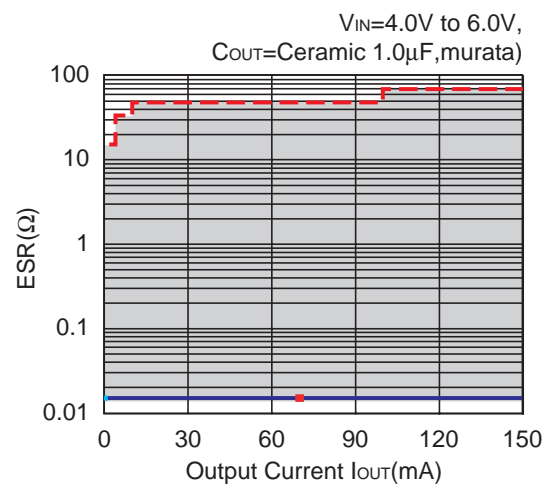
1.2V(VR1/VR2)



2.8V(VR1/VR2)

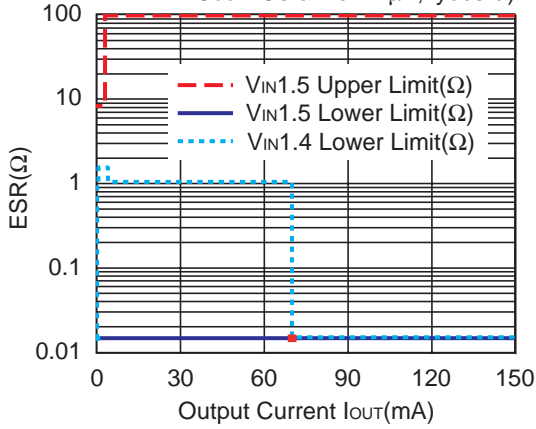


4.0V(VR1/VR2)



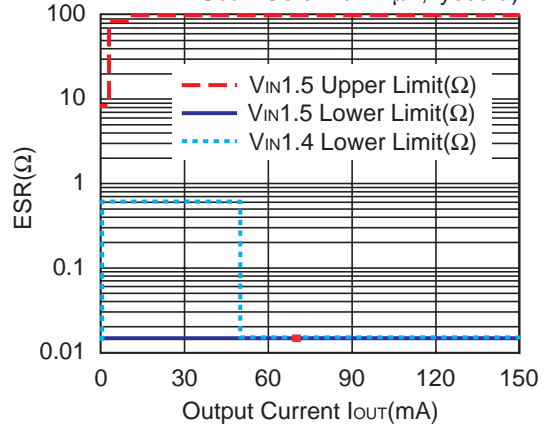
0.8V(VR1/VR2)

$V_{IN}=1.5V$ to $6.0V$,
 $C_{OUT}=\text{Ceramic } 2.2\mu F, \text{kyocera}$



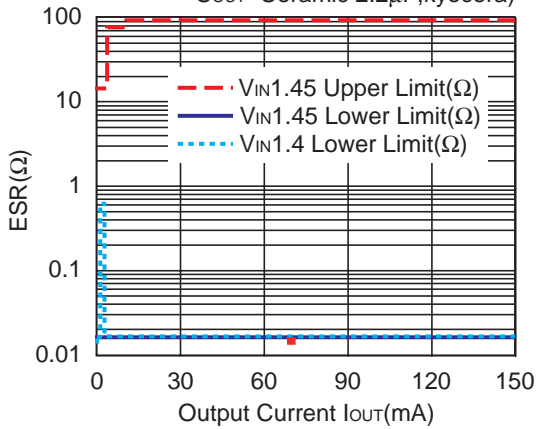
1.0V(VR1/VR2)

$V_{IN}=1.5V$ to $6.0V$,
 $C_{OUT}=\text{Ceramic } 2.2\mu F, \text{kyocera}$



1.2V(VR1/VR2)

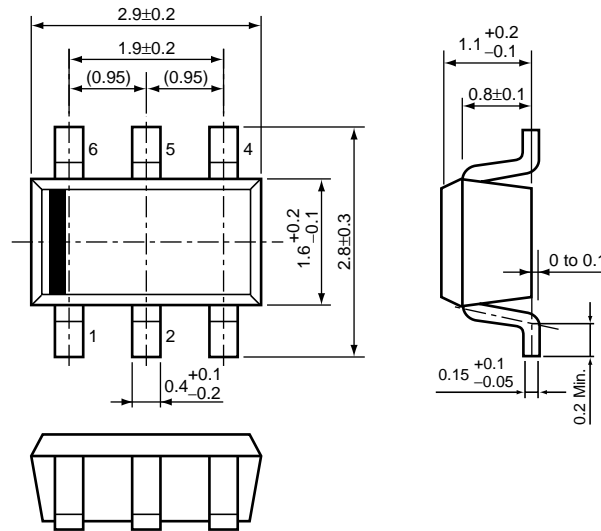
$V_{IN}=1.45V$ to $6.0V$,
 $C_{OUT}=\text{Ceramic } 2.2\mu F, \text{kyocera}$



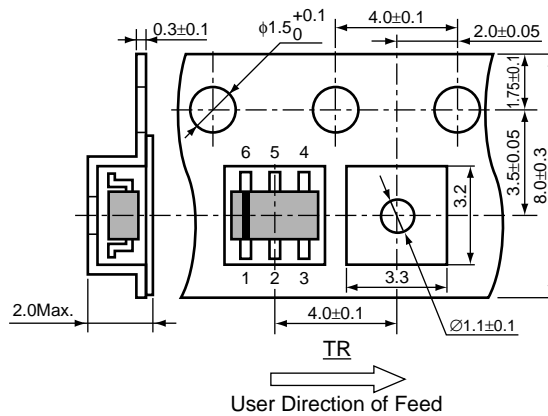
- SOT-23-6 (SC-74)

Unit: mm

PACKAGE DIMENSIONS

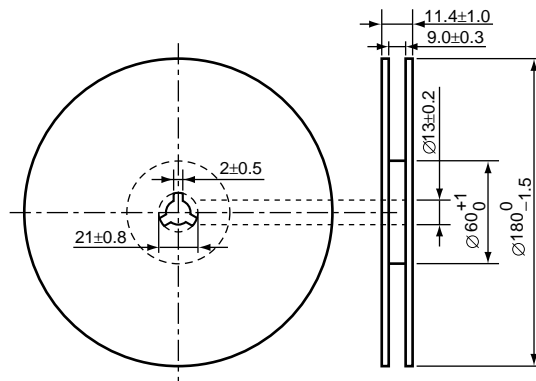


TAPING SPECIFICATION



TAPING REEL DIMENSIONS REUSE REEL (EIAJ-RRM-08Bc)

(1reel=3000pcs)



POWER DISSIPATION (SOT-23-6)

This specification is at mounted on board. Power Dissipation (P_D) depends on conditions of mounting on board. This specification is based on the measurement at the condition below:

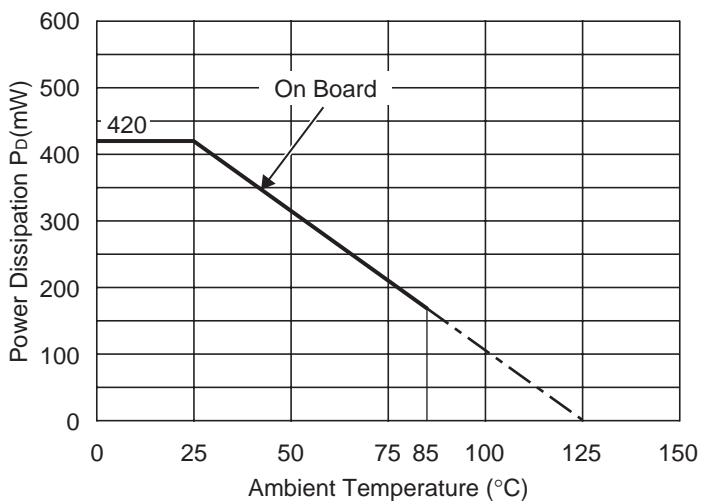
Measurement Conditions

	Standard Land Pattern
Environment	Mounting on Board (Wind velocity=0m/s)
Board Material	Glass cloth epoxy plactic (Double sided)
Board Dimensions	40mm × 40mm × 1.6mm
Copper Ratio	Top side : Approx. 50% , Back side : Approx. 50%
Through-hole	φ0.5mm × 44pcs

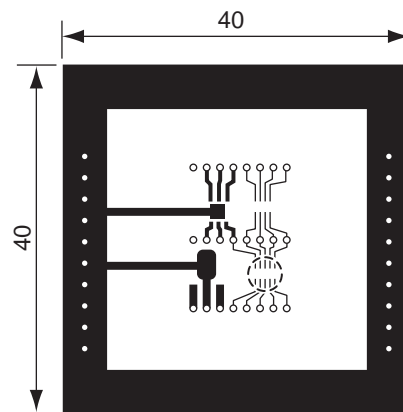
Measurement Result

($T_{opt}=25^{\circ}C, T_{jmax}=125^{\circ}C$)

	Standard Land Pattern	Free Air
Power Dissipation	420mW	250mW
Thermal Resistance	$\theta_{ja}=(125-25^{\circ}C)/0.42W=263^{\circ}C/W$	400°C/W



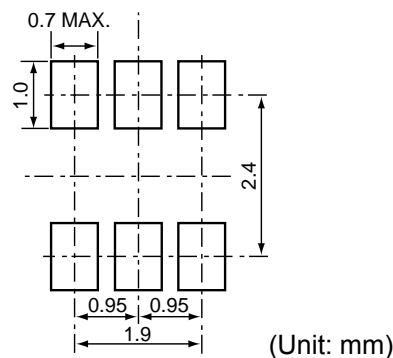
Power Dissipation



Measurement Board Pattern

○ IC Mount Area Unit : mm

RECOMMENDED LAND PATTERN

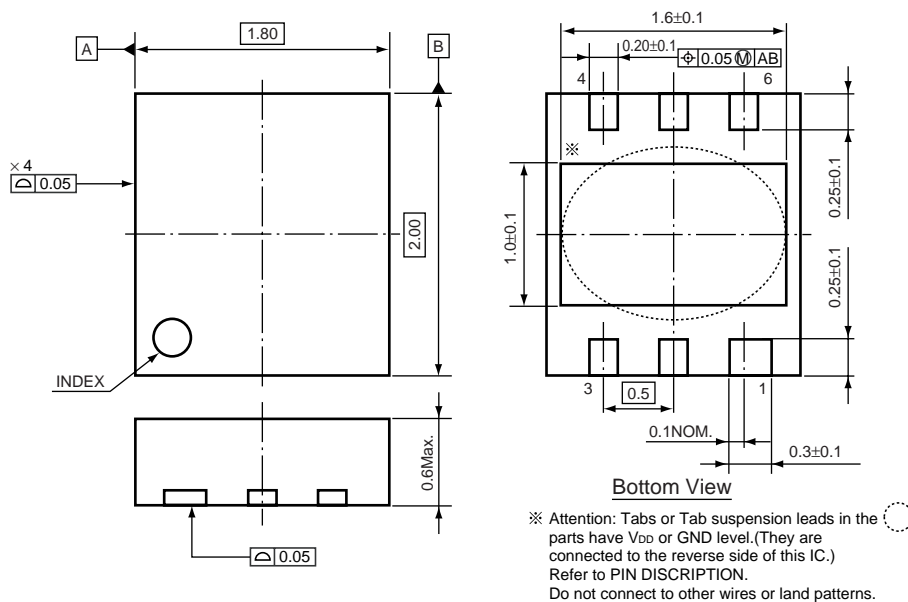


(Unit: mm)

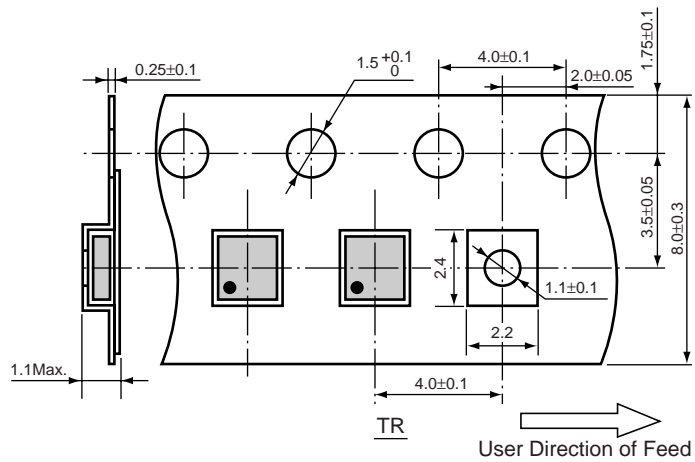
• DFN(PLP)1820-6

Unit: mm

PACKAGE DIMENSIONS

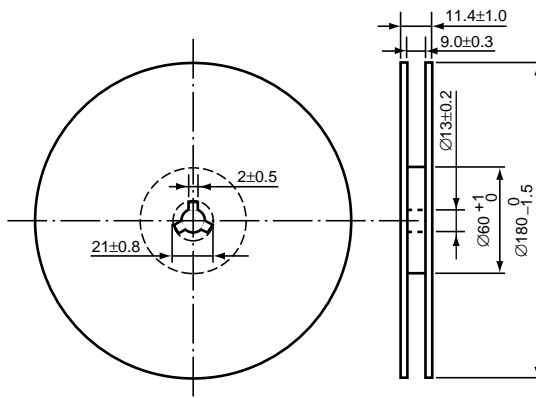


TAPING SPECIFICATION



TAPING REEL DIMENSIONS REUSE REEL (EIAJ-RRM-08Bc)

(1reel=5000pcs)
 (R5323K,R5325K : 1reel=3000pcs)



POWER DISSIPATION (DFN(PLP)1820-6)

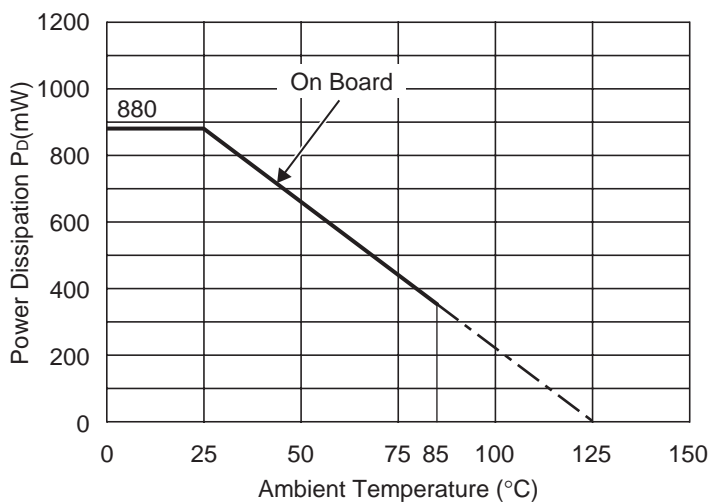
This specification is at mounted on board. Power Dissipation (P_D) depends on conditions of mounting on board. This specification is based on the measurement at the condition below:

Measurement Conditions

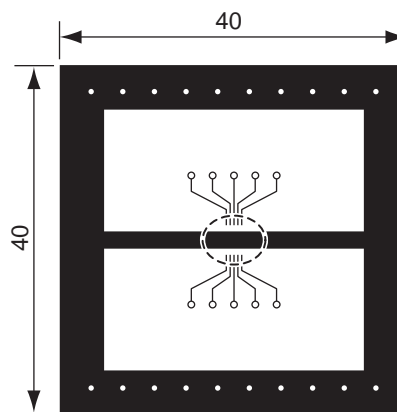
	Standard Land Pattern
Environment	Mounting on Board (Wind velocity=0m/s)
Board Material	Glass cloth epoxy plastic (Double sided)
Board Dimensions	40mm × 40mm × 1.6mm
Copper Ratio	Top side : Approx. 50% , Back side : Approx. 50%
Through-hole	φ0.54mm × 30pcs

Measurement Result (T_{opt}=25°C, T_{jmax}=125°C)

	Standard Land Pattern
Power Dissipation	880mW
Thermal Resistance	$\theta_{ja}=(125-25^\circ\text{C})/0.88\text{W}=114^\circ\text{C/W}$



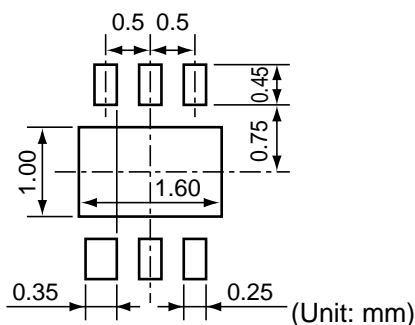
Power Dissipation



Measurement Board Pattern

○ IC Mount Area Unit : mm

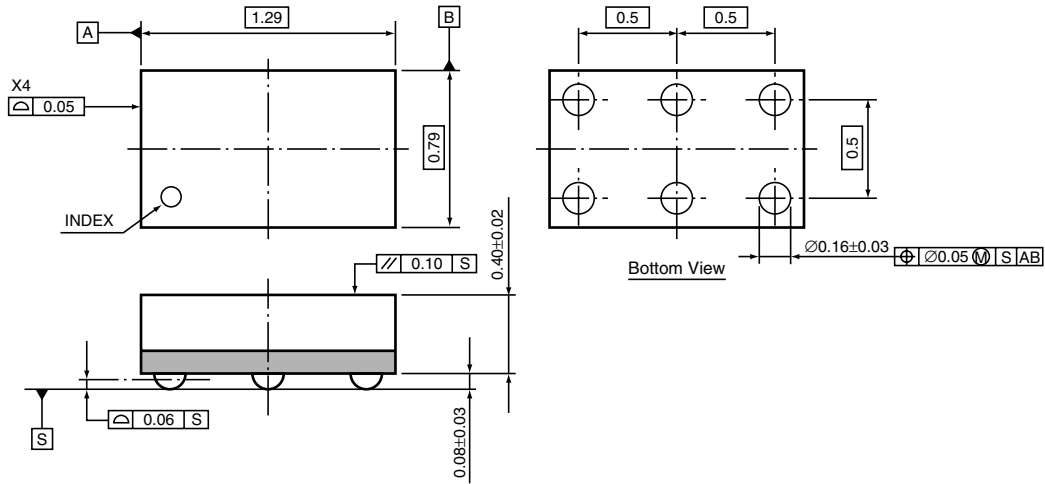
RECOMMENDED LAND PATTERN



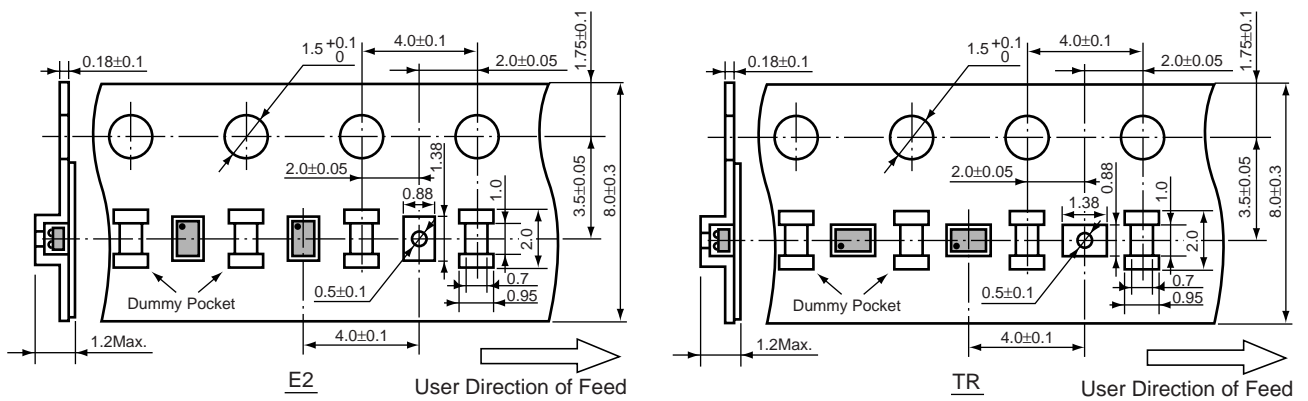
• WLCSP-6-P1

Unit: mm

PACKAGE DIMENSIONS



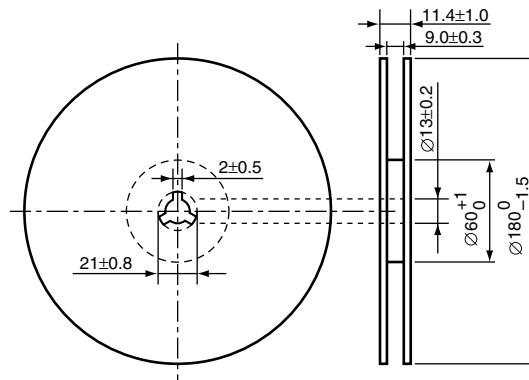
TAPING SPECIFICATION



The TAPING SPECIFICATION becomes one kind in each product.
Please refer to SELECTION GUIDE for details.

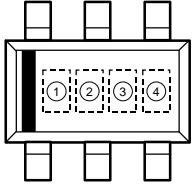
TAPING REEL DIMENSIONS REUSE REEL (EIAJ-RRM-08Bc)

- (1reel=5000pcs : E2 Type)
- (1reel=3000pcs : TR Type)



R5326N SERIES MARK SPECIFICATION

• SOT-23-6 (SC-74)



①, ② : Product Code (refer to Part Number vs. Product Code)

③, ④ : Lot Number

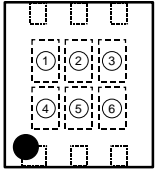
• Part Number vs. Product Code

Part Number	Product Code		Set V _{OUT}	
	①	②	VR1	VR2
R5326N001A	1	A	2.8V	2.8V
R5326N002A	1	B	1.8V	3.0V
R5326N003A	1	C	2.8V	3.3V
R5326N004A	1	D	1.8V	1.8V
R5326N005A	1	E	2.8V	2.6V
R5326N006A	1	F	1.2V	1.8V
R5326N007A	1	G	2.5V	1.2V
R5326N008A	1	H	1.8V	2.6V
R5326N009A	1	J	2.7V	1.8V
R5326N010A	1	K	2.8V	1.8V
R5326N011A	1	L	1.5V	2.6V
R5326N012A	1	M	1.1V	1.3V
R5326N013A	1	N	2.5V	2.8V
R5326N014A	1	P	2.9V	2.9V
R5326N015A	1	Q	2.7V	1.3V
R5326N016A	1	R	1.2V	2.8V
R5326N017A	1	S	1.1V	1.1V
R5326N018A	1	T	1.2V	1.2V
R5326N019A	1	U	1.2V	2.9V
R5326N020A	1	V	2.8V	3.0V

Part Number	Product Code		Set V _{OUT}	
	①	②	VR1	VR2
R5326N001B	0	A	2.8V	2.8V
R5326N002B	0	B	1.8V	3.0V
R5326N003B	0	C	2.8V	3.3V
R5326N004B	0	D	1.8V	1.8V
R5326N005B	0	E	2.8V	2.6V
R5326N006B	0	F	1.2V	1.8V
R5326N007B	0	G	2.5V	1.2V
R5326N008B	0	H	1.8V	2.6V
R5326N009B	0	J	2.7V	1.8V
R5326N010B	0	K	2.8V	1.8V
R5326N011B	0	L	1.5V	2.6V
R5326N012B	0	M	1.1V	1.3V
R5326N013B	0	N	2.5V	2.8V
R5326N014B	0	P	2.9V	2.9V
R5326N015B	0	Q	2.7V	1.3V
R5326N016B	0	R	1.2V	2.8V
R5326N017B	0	S	1.1V	1.1V
R5326N018B	0	T	1.2V	1.2V
R5326N019B	0	U	1.2V	2.9V
R5326N020B	0	V	2.8V	3.0V

R5326K SERIES MARK SPECIFICATION

• DFN(PLP)1820-6



- ① to ④ : Product Code (refer to Part Number vs. Product Code)
 ⑤, ⑥ : Lot Number

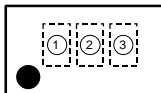
• Part Number vs. Product Code

Part Number	Product Code				Set V _{OUT}	
	①	②	③	④	VR1	VR2
R5326K001A	V	0	0	1	2.8V	2.8V
R5326K002A	V	0	0	2	1.8V	3.0V
R5326K003A	V	0	0	3	2.8V	3.3V
R5326K004A	V	0	0	4	1.8V	1.8V
R5326K005A	V	0	0	5	2.8V	2.6V
R5326K006A	V	0	0	6	1.2V	1.8V
R5326K007A	V	0	0	7	2.5V	1.2V
R5326K008A	V	0	0	8	1.8V	2.6V
R5326K009A	V	0	0	9	2.7V	1.8V
R5326K010A	V	0	1	0	2.8V	1.8V
R5326K011A	V	0	1	1	1.5V	2.6V
R5326K012A	V	0	1	2	1.1V	1.3V
R5326K013A	V	0	1	3	2.5V	2.8V
R5326K014A	V	0	1	4	2.9V	2.9V
R5326K015A	V	0	1	5	2.7V	1.3V
R5326K016A	V	0	1	6	1.2V	2.8V
R5326K017A	V	0	1	7	1.1V	1.1V
R5326K018A	V	0	1	8	1.2V	1.2V
R5326K019A	V	0	1	9	1.2V	2.9V
R5326K020A	V	0	2	0	2.8V	3.0V

Part Number	Product Code				Set V _{OUT}	
	①	②	③	④	VR1	VR2
R5326K001B	U	0	0	1	2.8V	2.8V
R5326K002B	U	0	0	2	1.8V	3.0V
R5326K003B	U	0	0	3	2.8V	3.3V
R5326K004B	U	0	0	4	1.8V	1.8V
R5326K005B	U	0	0	5	2.8V	2.6V
R5326K006B	U	0	0	6	1.2V	1.8V
R5326K007B	U	0	0	7	2.5V	1.2V
R5326K008B	U	0	0	8	1.8V	2.6V
R5326K009B	U	0	0	9	2.7V	1.8V
R5326K010B	U	0	1	0	2.8V	1.8V
R5326K011B	U	0	1	1	1.5V	2.6V
R5326K012B	U	0	1	2	1.1V	1.3V
R5326K013B	U	0	1	3	2.5V	2.8V
R5326K014B	U	0	1	4	2.9V	2.9V
R5326K015B	U	0	1	5	2.7V	1.3V
R5326K016B	U	0	1	6	1.2V	2.8V
R5326K017B	U	0	1	7	1.1V	1.1V
R5326K018B	U	0	1	8	1.2V	1.2V
R5326K019B	U	0	1	9	1.2V	2.9V
R5326K020B	U	0	2	0	2.8V	3.0V

R5326Z SERIES MARK SPECIFICATION

• WLCSP-6-P1



① : H (Fixed)

②, ③ : Lot Number

• Product Code vs. Marking

(A part number is discriminable from a product code and a lot number)

Part Number	Product Code	Set V _{OUT}		Part Number	Product Code	Set V _{OUT}	
	①	VR1	VR2		①	VR1	VR2
R5326Z001A	H	2.8V	2.8V	R5326Z001B	H	2.8V	2.8V
R5326Z002A	H	1.8V	3.0V	R5326Z002B	H	1.8V	3.0V
R5326Z003A	H	2.8V	3.3V	R5326Z003B	H	2.8V	3.3V
R5326Z004A	H	1.8V	1.8V	R5326Z004B	H	1.8V	1.8V
R5326Z005A	H	2.8V	2.6V	R5326Z005B	H	2.8V	2.6V
R5326Z006A	H	1.2V	1.8V	R5326Z006B	H	1.2V	1.8V
R5326Z007A	H	2.5V	1.2V	R5326Z007B	H	2.5V	1.2V
R5326Z008A	H	1.8V	2.6V	R5326Z008B	H	1.8V	2.6V
R5326Z009A	H	2.7V	1.8V	R5326Z009B	H	2.7V	1.8V
R5326Z010A	H	2.8V	1.8V	R5326Z010B	H	2.8V	1.8V
R5326Z011A	H	1.5V	2.6V	R5326Z011B	H	1.5V	2.6V
R5326Z012A	H	1.1V	1.3V	R5326Z012B	H	1.1V	1.3V
R5326Z013A	H	2.5V	2.8V	R5326Z013B	H	2.5V	2.8V
R5326Z014A	H	2.9V	2.9V	R5326Z014B	H	2.9V	2.9V
R5326Z015A	H	2.7V	1.3V	R5326Z015B	H	2.7V	1.3V
R5326Z016A	H	1.2V	2.8V	R5326Z016B	H	1.2V	2.8V
R5326Z017A	H	1.1V	1.1V	R5326Z017B	H	1.1V	1.1V
R5326Z018A	H	1.2V	1.2V	R5326Z018B	H	1.2V	1.2V
R5326Z019A	H	1.2V	2.9V	R5326Z019B	H	1.2V	2.9V
R5326Z020A	H	2.8V	3.0V	R5326Z020B	H	2.8V	3.0V