



---

PT15-V piher potentiometer

**PDF**

Download

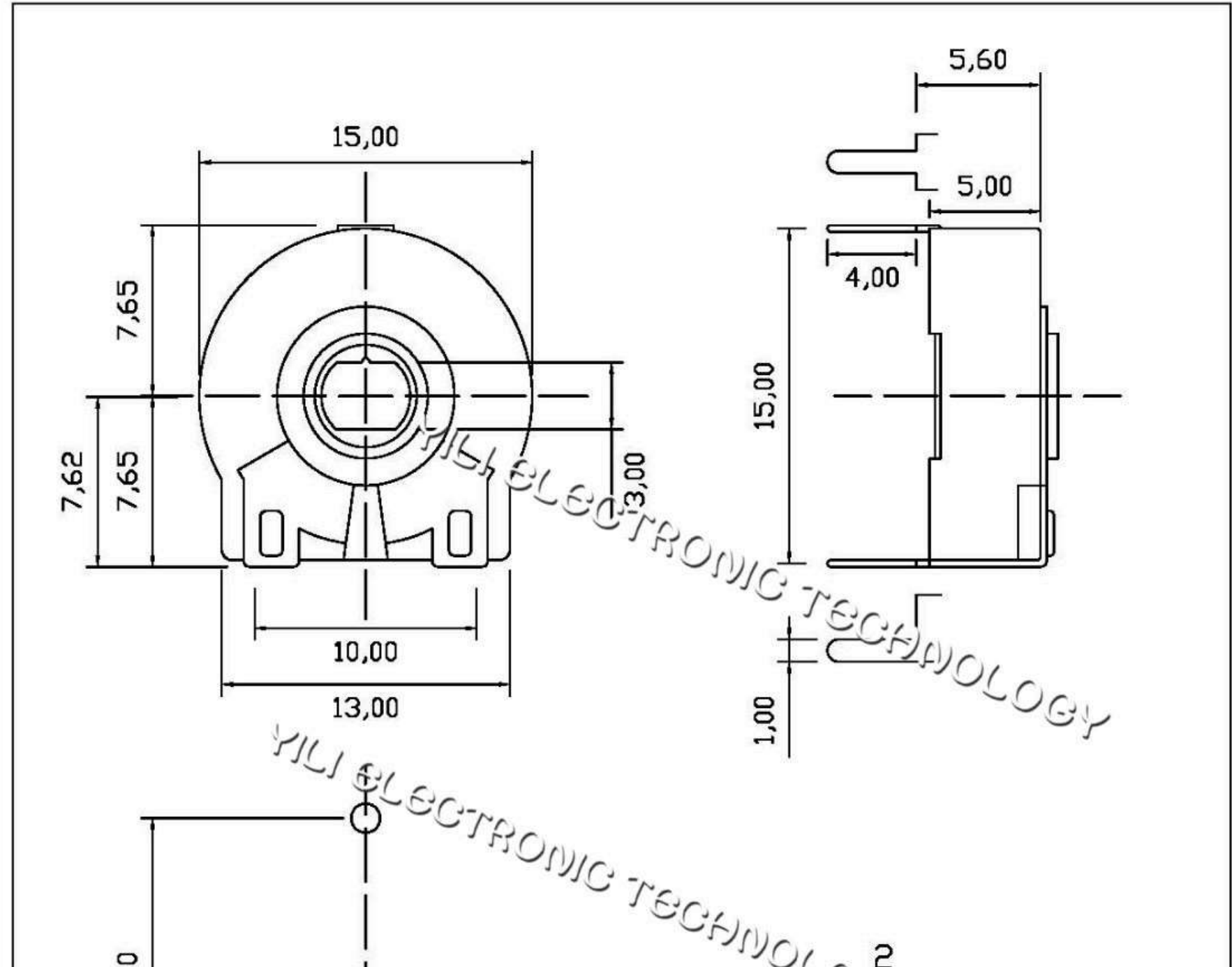
WhatsApp:8613723456996

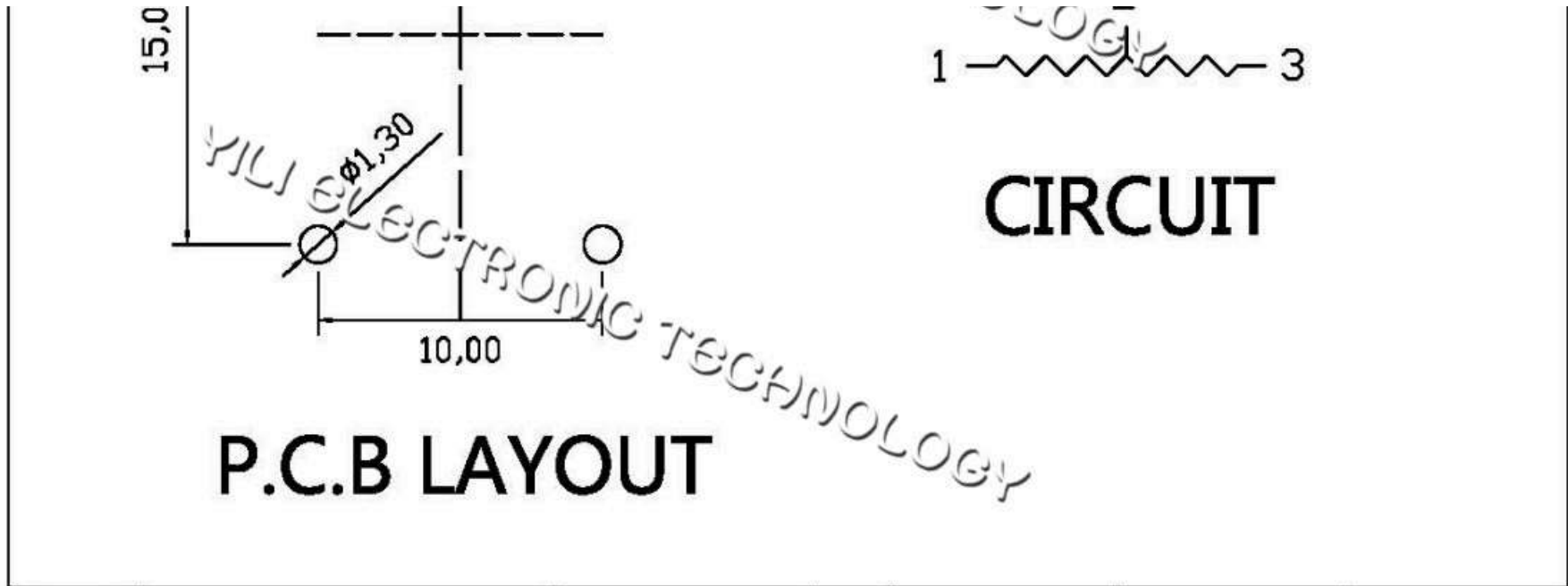
TEL:0086-13723456996


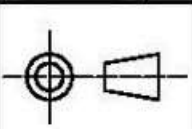
Email:Amy@yilielectron.com

Wechat:yili13723456996







 乐清市亿力电子科技有限公司 YILI Electronic Technology Co.,Ltd	TOL UNLESS OTHERWISE SPEC		ISSU	DATE	REVISED	DESIGN
	BASIC DIMENSION	TOL	00			
	$L \leq 10$	$\pm 0.3$	01			
	$10 < L$	$\pm 0.5$	02			
	SCALE	UNIT	$100 \leq L$	03		
	3:1	mm	ANGLE	$\pm 5'$	04	
	MODEL: PT15		DRAW	CHECKED	APPROVED	
DRAW NO. :			PAGE: 01			

Electrical Performance

Value Range:  $500 \Omega \sim 1M \Omega$

Resistance Tolerance:  $\pm 10\%$  &  $\pm 20\%$

Residual Resistance: At most 5% of total value, no more than  $20 \Omega$

Resistance Taper: B type

Rated Power: 0.25W

Operation Voltage: 50V DC

Soldering Temperature: 260°C~280°C within 3 seconds

Rotational Noise: <100mv

### Mechanical Performance

Rotational Angle: 265° ±10°

Rotational Torque: 0.3~2Ncm

Rotational Stopper Strength: >10Ncm

Rotational Life: 10000 cycles

Package: 1000pcs per bag. 10000pcs per carton.

Delivery Time: As soon as possible( around 7-10 days)

Payment Terms: 50% before production, 50% before delivery