

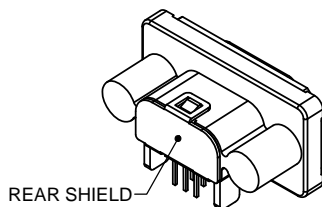
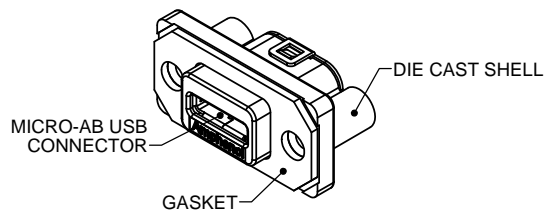
**ORDERING CODE: MUSB-K152-XX**

SERIES, RUGGED USB  
 USB 'MICRO-AB' RECEPTACLE, SINGLE PORT, RIGHT ANGLE PCB TAILS

THREAD OPTION  
 3=#2-56 UNC THREAD  
 M= M2.5 X 0.45 THREAD

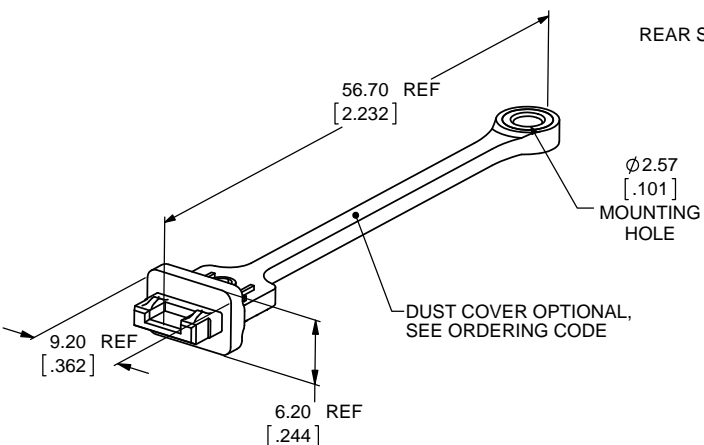
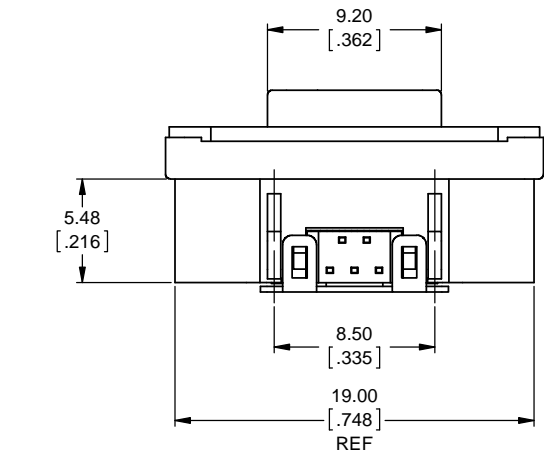
DUST COVER OPTION  
 0=NO DUST COVER SUPPLIED  
 1=WITH GREY DUST COVER SUPPLIED  
 5=WITH BLACK DUST COVER SUPPLIED

**SPECIAL CONNECTORS:**  
 MANY UNIQUE FEATURES ARE READILY AVAILABLE TO SUIT CUSTOMER REQUIREMENTS. CONSULT WITH AMPHENOL CANADA FOR DETAILS.



**NOTES:**

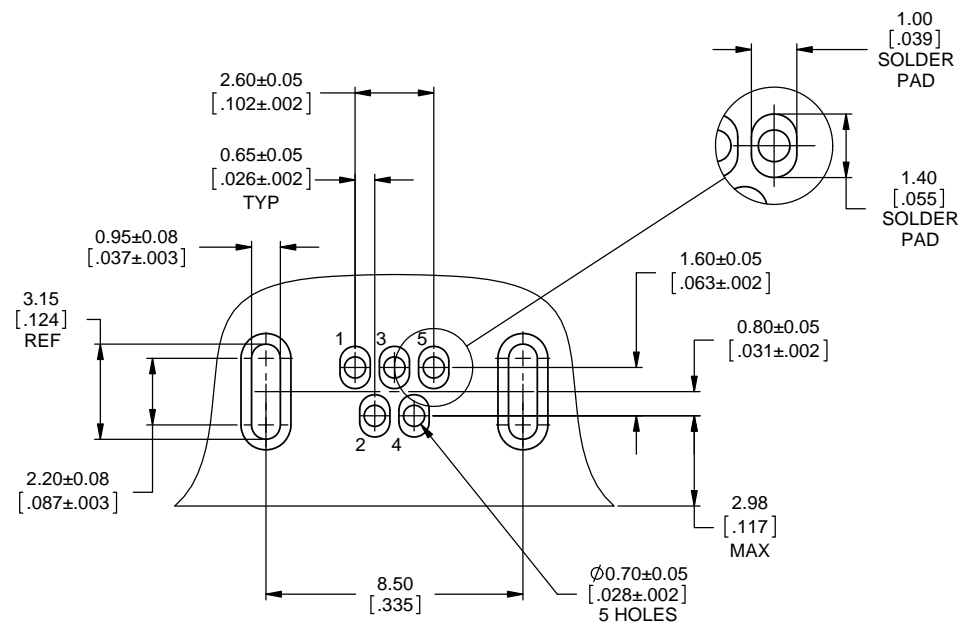
- MATERIAL:**  
 ALL MATERIALS ARE RoHS COMPLIANT PER EU DIRECTIVE 2011/65/EU AND AMENDMENTS
  - OUTER SHELL: DIE CAST ZINC ALLOY, NICKEL PLATED
  - CONTACTS: COPPER ALLOY, PLATED WITH 0.76µm [30µ"] GOLD OVER 1.27µm [50µ"] MINIMUM NICKEL ON THE MATING AREA WITH MATTE TIN OVER NICKEL ON THE TAILS.
  - USB HOUSING: ENGINEERING THERMOPLASTIC, FLAMMABILITY RATING UL94V-0, GREY.
  - USB SHELL & REAR SHIELD: STAINLESS STEEL, PASSIVATED.
  - PANEL GASKET: PORON, BLACK.
- ENVIRONMENTAL PERFORMANCE PER IEC 60529 CODE IP67 FOR SEAL BETWEEN MATING AREA & PCB SIDE OF CONNECTOR. GASKET PROVIDES SEAL TO INSIDE FACE OF ENCLOSURE PANEL. AVAILABLE DUST COVER PROVIDES ADDED PROTECTION. SEE SHEET 2 FOR APPLICATION VIEW.**
- CURRENT RATING: 1 A FOR SIGNAL POSITIONS 2, 3 & 4 OR 1.8 A FOR POWER POSITIONS 1 & 5 WITH 0.5 A ON SIGNAL LINES.**
- CONTACT RESISTANCE: 30 MILLIOHMS MAXIMUM.**
- OPERATING TEMPERATURE: -40°C TO +105°C.**
- DUST COVERS MAY BE ORDERED SEPARATELY. SPECIFY**
  - PART NUMBER MUSB-2K15-005BP FOR GREY DUST COVER
  - PART NUMBER MUSB-2K15-015BP FOR BLACK DUST COVER



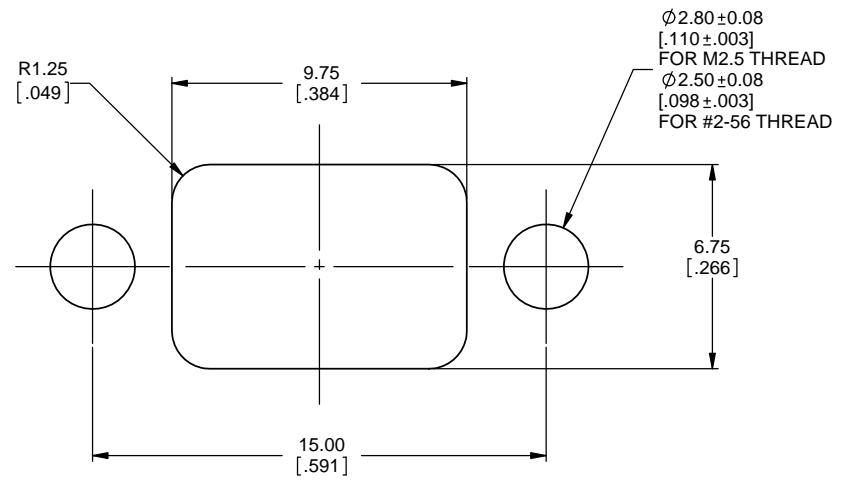
UNLESS SPECIFIED OTHERWISE	DRAWN	M.SHAH	MAY25/11
PRIMARY UNITS MILLIMETERS	CHECKED	K.LAMBIE	MAY25/11
SECONDARY UNITS INCHES	M.E. APP'D		
REFERENCE IN PARENTHESES	Q.A. APP'D		
GENERAL TOLERANCES	DWG APPR.		
1 DECIMAL PLACE	ENG. REL. NO.	EAR 13873	
2 DECIMAL PLACES ±0.15	REF.		
3 DECIMAL PLACES	THIRD ANGLE PROJECTION		
ANGULAR DEGREES	DO NOT SCALE DRAWING		

<b>Amphenol Canada Corp.</b> www.amphenolcanada.com	
MUSB SERIES RUGGED MICRO-AB USB RECEPTACLE, RIGHT ANGLE PCB MOUNT, RoHS COMPLIANT	
DWG. NO.	REV F
<b>P-MUSB-K152-XX</b>	
CODE ID NO. 03554	DWG SIZE: X
SCALE: 6:1	SHEET 1 OF 2

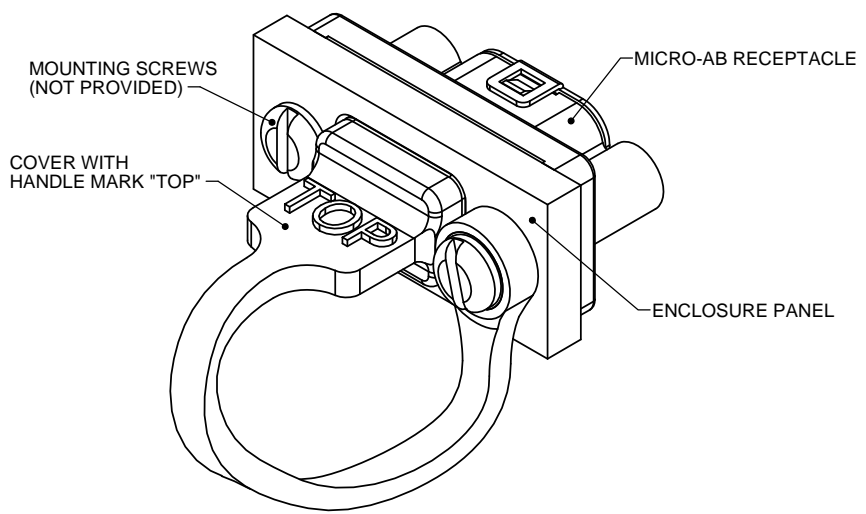
REVISIONS			
REV	DESCRIPTION, ECN, EAR NO.	DATE	APP'D
E	REV PER EAR 14292	AUG6/14	K.L.
F	REV PER EAR 14388	AUG25/14	K.L.



**RECOMMENDED P.C.B. LAYOUT**  
COMPONENT SIDE OF BOARD



**RECOMMENDED PANEL CUTOUT**



**DUST COVER APPLICATION**



UNLESS SPECIFIED OTHERWISE	DRAWN	M.SHAH	MAY25/11
PRIMARY UNITS MILLIMETERS	CHECKED	K.LAMBIE	MAY25/11
SECONDARY INCHES	M.E. APP'D		
REFERENCE IN PARENTHESES	Q.A. APP'D		
GENERAL TOLERANCES	DWG APPR.		
1 DECIMAL PLACE	ENG. REL. NO.	EAR 13873	
2 DECIMAL PLACES ±0.15	REF.		
3 DECIMAL PLACES	THIRD ANGLE PROJECTION		
ANGULAR DEGREES	DO NOT SCALE DRAWING		

<b>Amphenol Canada Corp.</b> www.amphenolcanada.com		
MUSB SERIES RUGGED MICRO-AB USB RECEPTACLE, RIGHT ANGLE PCB MOUNT, RoHS COMPLIANT		
DWG. NO.	REV	
<b>P-MUSB-K152-XX</b>	<b>F</b>	
CODE ID NO. 03554	DWG SIZE: X	SCALE: 6:1
SHEET 2 OF 2		

THIS DOCUMENT CONTAINS PROPRIETARY INFORMATION AND SUCH INFORMATION MAY NOT BE DISCLOSED TO OTHERS FOR ANY PURPOSE OR USED FOR MANUFACTURING PURPOSES WITHOUT WRITTEN PERMISSION FROM AMPHENOL CANADA CORP.

# Mouser Electronics

Authorized Distributor

Click to View Pricing, Inventory, Delivery & Lifecycle Information:

## Amphenol:

[MUSB-B151-34](#) [MUSB-B551-041](#) [MUSB-B151-30](#) [MUSBE55100](#) [MUSB2D11003BP](#) [MUSBC111M02](#)  
[MUSBB151M02](#) [MUSBC111305](#) [MUSBB551045](#) [MUSB-D311-301](#) [MUSB-D511-N0](#) [MUSBB151341](#) [MUSB-B151-05](#)  
[MUSBAA1130](#) [MUSBK152001](#) [MUSBB15104](#) [MUSBA21131](#) [MUSBE551N0](#) [MUSBC51101](#) [MUSBD21131](#)  
[MUSBB551N4](#) [MUSBA41130](#) [MUSBB15101](#) [MUSBB551N1](#) [MUSBA31135](#) [MUSBB15100](#) [MUSBB15131](#)  
[MUSBA211M1](#) [MUSBC511N0](#) [MUSBE55105](#) [MUSBC211M5](#) [MUSBD51101](#) [MUSBB151M5](#) [MUSBC111M1](#)  
[MUSBC21135](#) [MUSBD511N5](#) [MUSBA81130](#) [MUSBE551N4](#) [MUSBD511N1](#) [MUSBB151N5](#) [MUSBB151M1](#)  
[MUSBA211M0](#) [MUSBC11131](#) [MUSBA311M1](#) [MUSBB151M0](#) [MUSBB151N1](#) [MUSBAA11M0](#) [MUSBE55104](#)  
[MUSBA411M0](#) [MUSBB551N5](#) [MUSBC51105](#) [MUSBC211M1](#) [MUSBB551N0](#) [MUSBDA1130](#) [MUSBB151N0](#)  
[MUSBC511N1](#) [MUSBA31131](#) [MUSBD51105](#) [MUSBE55101](#) [MUSBA211M5](#) [MUSBAA1135](#) [MUSBC21131](#)  
[MUSBE551N1](#) [MUSBA21135](#) [MUSBA311M0](#) [MUSBC211M0](#) [MUSBB15135](#) [MUSBB55105](#) [MUSB-A211-30](#) [MUSB-](#)  
[A311-30](#) [MUSBD21130](#) [MUSBC41130](#) [MUSB-C211-30](#) [MUSB-B551-04](#) [MUSB-B551-03](#) [MUSBC41135](#) [MUSB-](#)  
[KA52-35](#) [MUSB-B151-M4](#) [MUSBBA5135](#) [MUSBA511005](#) [MUSBA111301](#) [MUSBB35105](#) [MUSBC111309](#)  
[MUSBBA5130](#)