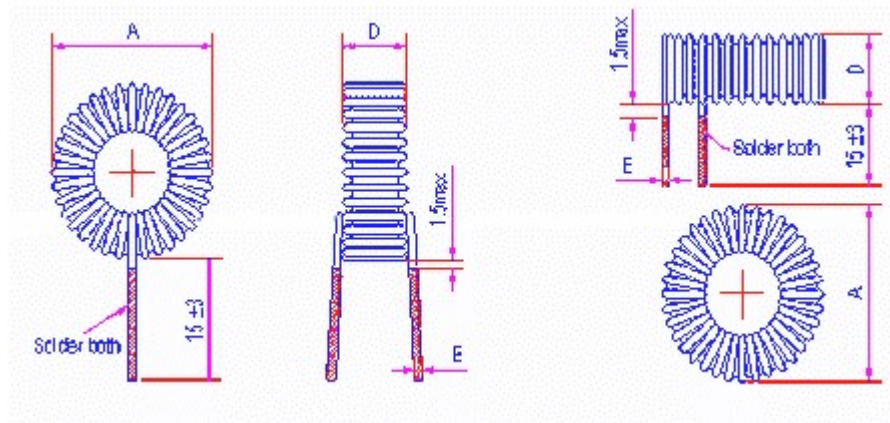


## SHAPE AND SIZE : Toroid Inductor 3A-5026



### Features :

- Useful in a wide variety of power conversion and line filter applications .
- Wound on Iron Powder material toroids .
- COST-EFFECTIVE design .
- Low volume hand wound to high volume automatic machine wound .
- 130 $\phi$ J UEW-NY wire .
- High saturation current .
- Coated with varnish .

### Ordering information :

- (1)Type : Toroidal coils .
- (2)Inductance : Example : 101 for 100 uH
- (3)Inductance tolerance : J :  $\pm 5\%$  ; K :  $\pm 10\%$  ; M:  $\pm 20\%$  .
- (4)Rated current in Amps .
- (5)Core style : OD =0.5" .
- (6)Core material : "-26 " or "-52 " .

### Characteristics :

- (1) Inductance range : 1.0uH to 10000uH .
- (2) Current rating: Based on current density about 8.0 A / mm<sup>2</sup> .
- (3) Rated frequency : "-26" : 50Hz ~ 100 KHz ; "-52" : 10KHz~ 500KHz .
- (4) Operating temperature : -55°C to 125°C .

- Test equipent :  
L tested by LCR meter @ 1KHz .  
DCR tested by Milliohm meter .

### Applications :

- Power supplies .
- Swithing Circuits .
- SCR and Triac Controls .
- Output chokes .
- EMI / RFI chokes .
- Other filters .