

REALTEK

NOT FOR PUBLIC RELEASE

RTL8367RB -CG

LAYER 2 MANAGED 5+2-PORT 10/100/1000 SWITCH CONTROLLER

DATASHEET

(CONFIDENTIAL: Development Partners Only)

Rev. Pre-0.9

22 November 2010

Track ID: xxxx-xxxx-xx



Realtek Semiconductor Corp.

No. 2, Innovation Road II, Hsinchu Science Park, Hsinchu 300, Taiwan

Tel.: +886-3-578-0211 Fax: +886-3-577-6047

www.realtek.com

COPYRIGHT

©2010 Realtek Semiconductor Corp. All rights reserved. No part of this document may be reproduced, transmitted, transcribed, stored in a retrieval system, or translated into any language in any form or by any means without the written permission of Realtek Semiconductor Corp.

DISCLAIMER

Realtek provides this document “as is”, without warranty of any kind. Realtek may make improvements and/or changes in this document or in the product described in this document at any time. This document could include technical inaccuracies or typographical errors.

TRADEMARKS

Realtek is a trademark of Realtek Semiconductor Corporation. Other names mentioned in this document are trademarks/registered trademarks of their respective owners.

USING THIS DOCUMENT

This document is intended for the hardware and software engineer’s general information on the Realtek RTL8367RB ICs.

Though every effort has been made to ensure that this document is current and accurate, more information may have become available subsequent to the production of this guide.

REVISION HISTORY

Revision	Release Date	Summary
Pre-0.9	2010/11/22	Preliminary Release.

Table of Contents

1. GENERAL DESCRIPTION	1
2. FEATURES	3
3. SYSTEM APPLICATIONS	5
4. APPLICATION EXAMPLES	6
4.1. 5-PORT 1000BASE-T SWITCH.....	6
4.2. 5-PORT 1000BASE-T ROUTER WITH DUAL MII/RGMII.....	7
5. BLOCK DIAGRAM	8
6. PIN ASSIGNMENTS	9
6.1. RTL8367RB PIN ASSIGNMENTS (LQFP-128EPAD).....	9
6.2. PACKAGE IDENTIFICATION.....	9
6.3. PIN ASSIGNMENT TABLE.....	10
7. PIN DESCRIPTIONS	13
7.1. MEDIA DEPENDENT INTERFACE PINS.....	13
7.2. GENERAL PURPOSE INTERFACES.....	14
7.2.1. RGMII Pins.....	14
7.2.2. MII Pins.....	15
7.2.3. LED Pins.....	19
7.3. CONFIGURATION STRAPPING PINS.....	20
7.4. MANAGEMENT INTERFACE PINS.....	22
7.5. MISCELLANEOUS PINS.....	23
7.6. TEST PINS.....	23
7.7. POWER AND GND PINS.....	23
8. PHYSICAL LAYER FUNCTIONAL OVERVIEW	25
8.1. MDI INTERFACE.....	25
8.2. 1000BASE-T TRANSMIT FUNCTION.....	25
8.3. 1000BASE-T RECEIVE FUNCTION.....	25
8.4. 100BASE-TX TRANSMIT FUNCTION.....	25
8.5. 100BASE-TX RECEIVE FUNCTION.....	26
8.6. 10BASE-T TRANSMIT FUNCTION.....	26
8.7. 10BASE-T RECEIVE FUNCTION.....	26
8.8. AUTO-NEGOTIATION FOR UTP.....	26
8.9. Crossover DETECTION AND AUTO CORRECTION.....	27
8.10. POLARITY CORRECTION.....	27
9. GENERAL FUNCTION DESCRIPTION	28
9.1. RESET.....	28
9.1.1. Hardware Reset.....	28
9.1.2. Software Reset.....	28
9.2. IEEE 802.3X FULL DUPLEX FLOW CONTROL.....	28
9.3. HALF DUPLEX FLOW CONTROL.....	29
9.3.1. Back-Pressure Mode.....	29
9.4. SEARCH AND LEARNING.....	30
9.5. SVL AND IVL/SVL.....	31
9.6. ILLEGAL FRAME FILTERING.....	31
9.7. IEEE 802.3 RESERVED GROUP ADDRESSES FILTERING CONTROL.....	31
9.8. BROADCAST/MULTICAST/UNKNOWN DA STORM CONTROL.....	33

9.9.	PORT SECURITY FUNCTION	33
9.10.	MIB COUNTERS	33
9.11.	PORT MIRRORING	33
9.12.	VLAN FUNCTION	34
9.12.1.	Port-Based VLAN	34
9.12.2.	IEEE 802.1Q Tag-Based VLAN	34
9.12.3.	Protocol-Based VLAN	35
9.12.4.	Port VID	35
9.13.	QOS FUNCTION	36
9.13.1.	Input Bandwidth Control	36
9.13.2.	Priority Assignment	36
9.13.3.	Priority Queue Scheduling	37
9.13.4.	IEEE 802.1p/Q and DSCP Remarking	37
9.13.5.	ACL-Based Priority	38
9.14.	IGMP & MLD SNOOPING FUNCTION	38
9.15.	IEEE 802.1X FUNCTION	38
9.15.1.	Port-Based Access Control	38
9.15.2.	Authorized Port-Based Access Control	39
9.15.3.	Port-Based Access Control Direction	39
9.15.4.	MAC-Based Access Control	39
9.15.5.	MAC-Based Access Control Direction	39
9.15.6.	Optional Unauthorized Behavior	39
9.15.7.	Guest VLAN	39
9.16.	IEEE 802.1D FUNCTION	40
9.17.	EMBEDDED 8051	40
9.18.	REALTEK CABLE TEST (RTCT)	40
9.19.	LED INDICATOR	41
9.20.	GREEN ETHERNET	42
9.20.1.	Link-On and Cable Length Power Saving	42
9.20.2.	Link-Down Power Saving	42
9.21.	IEEE 802.3AZ ENERGY EFFICIENT ETHERNET (EEE) FUNCTION	43
9.22.	INTERRUPT PIN FOR EXTERNAL CPU	43
10.	INTERFACE DESCRIPTIONS	44
10.1.	EEPROM SMI HOST TO EEPROM	44
10.2.	EEPROM SMI SLAVE FOR EXTERNAL CPU	45
10.3.	GENERAL PURPOSE INTERFACE	46
10.3.1.	Extension Ports RGMII Mode (1Gbps)	47
10.3.2.	Extension Ports MII MAC/PHY Mode Interface (10/100Mbps)	48
11.	REGISTER DESCRIPTIONS	50
11.1.	PAGE 0: PCS REGISTER (PHY 0~4)	50
11.2.	REGISTER 0: CONTROL	51
11.3.	REGISTER 1: STATUS	52
11.4.	REGISTER 2: PHY IDENTIFIER 1	53
11.5.	REGISTER 3: PHY IDENTIFIER 2	53
11.6.	REGISTER 4: AUTO-NEGOTIATION ADVERTISEMENT	53
11.7.	REGISTER 5: AUTO-NEGOTIATION LINK PARTNER ABILITY	54
11.8.	REGISTER 6: AUTO-NEGOTIATION EXPANSION	55
11.9.	REGISTER 7: AUTO-NEGOTIATION PAGE TRANSMIT REGISTER	55
11.10.	REGISTER 8: AUTO-NEGOTIATION LINK PARTNER NEXT PAGE REGISTER	56
11.11.	REGISTER 9: 1000BASE-T CONTROL REGISTER	56
11.12.	REGISTER 10: 1000BASE-T STATUS REGISTER	57
11.13.	REGISTER 15: EXTENDED STATUS	57

12.	ELECTRICAL CHARACTERISTICS	58
12.1.	ABSOLUTE MAXIMUM RATINGS	58
12.2.	RECOMMENDED OPERATING RANGE.....	58
12.3.	THERMAL CHARACTERISTICS.....	59
12.3.1.	<i>Assembly Description</i>	59
12.3.2.	<i>Material Properties</i>	59
12.3.3.	<i>Simulation Conditions</i>	59
12.3.4.	<i>Thermal Performance of E-Pad LQFP-128 on PCB Under Still Air Convection</i>	59
12.3.5.	<i>Thermal Performance of E-Pad LQFP-128 on PCB under Forced Convection</i>	60
12.4.	DC CHARACTERISTICS.....	60
12.5.	AC CHARACTERISTICS.....	61
12.5.1.	<i>EEPROM SMI Host Mode Timing Characteristics</i>	61
12.5.2.	<i>EEPROM SMI Slave Mode Timing Characteristics</i>	62
12.5.3.	<i>MDIO Slave Mode Timing Characteristics</i>	63
12.5.4.	<i>MII MAC Mode Timing</i>	64
12.5.5.	<i>MII PHY Mode Timing</i>	65
12.5.6.	<i>RGMII Timing Characteristics</i>	66
12.6.	POWER AND RESET CHARACTERISTICS	68
13.	MECHANICAL DIMENSIONS	69
13.1.	RTL8367RB: 14x14 LQFP128-PIN E-PAD PACKAGE.....	69
14.	ORDERING INFORMATION	70

CONFIDENTIAL

List of Tables

TABLE 1. PIN ASSIGNMENT TABLE.....	10
TABLE 2. MEDIA DEPENDENT INTERFACE PINS.....	13
TABLE 3. EXTENSION GMAC1 RGMII PINS.....	14
TABLE 4. EXTENSION GMAC2 RGMII PINS.....	15
TABLE 5. EXTENSION GMAC1 MII PINS (MII MAC MODE OR MII PHY MODE).....	15
TABLE 6. EXTENSION GMAC2 MII PINS (MII MAC MODE OR MII PHY MODE).....	17
TABLE 7. LED PINS.....	19
TABLE 8. CONFIGURATION STRAPPING PINS.....	20
TABLE 9. CONFIGURATION STRAPPING PINS (DISAUTOLOAD AND DIS_8051).....	22
TABLE 10. MISCELLANEOUS PINS.....	22
TABLE 11. MISCELLANEOUS PINS.....	23
TABLE 12. TEST PINS.....	23
TABLE 13. POWER AND GND PINS.....	23
TABLE 14. MEDIA DEPENDENT INTERFACE PIN MAPPING.....	27
TABLE 15. RESERVED MULTICAST ADDRESS CONFIGURATION TABLE.....	31
TABLE 16. LED DEFINITIONS.....	41
TABLE 17. RTL8367RB EXTENSION PORT 1 PIN DEFINITIONS.....	46
TABLE 18. RTL8367RB EXTENSION PORT 2 PIN DEFINITIONS.....	46
TABLE 19. EXTENSION GMAC1 RGMII PINS.....	47
TABLE 20. EXTENSION GMAC2 RGMII PINS.....	47
TABLE 21. EXTENSION GMAC1 MII PINS.....	48
TABLE 22. EXTENSION GMAC2 MII PINS.....	48
TABLE 23. PAGE 0: PCS REGISTER (PHY 0~4).....	50
TABLE 24. REGISTER 0: CONTROL.....	51
TABLE 25. REGISTER 1: STATUS.....	52
TABLE 26. REGISTER 2: PHY IDENTIFIER 1.....	53
TABLE 27. REGISTER 3: PHY IDENTIFIER 2.....	53
TABLE 28. REGISTER 4: AUTO-NEGOTIATION ADVERTISEMENT.....	53
TABLE 29. REGISTER 5: AUTO-NEGOTIATION LINK PARTNER ABILITY.....	54
TABLE 30. REGISTER 6: AUTO-NEGOTIATION EXPANSION.....	55
TABLE 31. REGISTER 7: AUTO-NEGOTIATION PAGE TRANSMIT REGISTER.....	55
TABLE 32. REGISTER 8: AUTO-NEGOTIATION LINK PARTNER NEXT PAGE REGISTER.....	56
TABLE 33. REGISTER 9: 1000BASE-T CONTROL REGISTER.....	56
TABLE 34. REGISTER 10: 1000BASE-T STATUS REGISTER.....	57
TABLE 35. REGISTER 15: EXTENDED STATUS.....	57
TABLE 36. ABSOLUTE MAXIMUM RATINGS.....	58
TABLE 37. RECOMMENDED OPERATING RANGE.....	58
TABLE 38. ASSEMBLY DESCRIPTION.....	59
TABLE 39. MATERIAL PROPERTIES.....	59
TABLE 40. SIMULATION CONDITIONS.....	59
TABLE 41. THERMAL PERFORMANCE OF E-PAD LQFP-128 ON PCB UNDER STILL AIR CONVECTION.....	59
TABLE 42. THERMAL PERFORMANCE OF E-PAD LQFP-128 ON PCB UNDER FORCED CONVECTION.....	60
TABLE 43. DC CHARACTERISTICS.....	60
TABLE 44. EEPROM SMI HOST MODE TIMING CHARACTERISTICS.....	62
TABLE 45. EEPROM SMI SLAVE MODE TIMING CHARACTERISTICS.....	62
TABLE 46. MDIO TIMING CHARACTERISTICS AND REQUIREMENT.....	63
TABLE 47. MII MAC MODE TIMING.....	64
TABLE 48. MII PHY MODE TIMING CHARACTERISTICS.....	65
TABLE 49. RGMII TIMING CHARACTERISTICS.....	67
TABLE 50. POWER AND RESET CHARACTERISTICS.....	68
TABLE 51. ORDERING INFORMATION.....	70

ZTE
CONFIDENTIAL

List of Figures

FIGURE 1. 5-PORT 1000BASE-T SWITCH	6
FIGURE 2. 5-PORT 1000BASE-T ROUTER WITH DUAL MII/RGMII.....	7
FIGURE 3. RTL8367RB BLOCK DIAGRAM	8
FIGURE 4. RTL8367RB PIN ASSIGNMENTS (LQFP-128 EPAD)	9
FIGURE 5. CONCEPTUAL EXAMPLE OF POLARITY CORRECTION	27
FIGURE 6. PROTOCOL-BASED VLAN FRAME FORMAT AND FLOW CHART.....	35
FIGURE 7. RTL8367RB MAX-MIN SCHEDULING DIAGRAM.....	37
FIGURE 8. PULL-UP AND PULL-DOWN OF LED PINS FOR SINGLE-COLOR LED.....	42
FIGURE 9. PULL-UP AND PULL-DOWN OF LED PINS FOR BI-COLOR LED	42
FIGURE 10. SMI START AND STOP COMMAND	44
FIGURE 11. EEPROM SMI HOST TO EEPROM.....	44
FIGURE 12. EEPROM SMI HOST MODE FRAME.....	44
FIGURE 13. EEPROM SMI WRITE COMMAND FOR SLAVE MODE	45
FIGURE 14. EEPROM SMI READ COMMAND FOR SLAVE MODE.....	45
FIGURE 15. RGMII MODE INTERFACE SIGNAL DIAGRAM.....	47
FIGURE 16. SIGNAL DIAGRAM OF MII PHY MODE INTERFACE (100Mbps)	49
FIGURE 17. SIGNAL DIAGRAM OF MII MAC MODE INTERFACE (100Mbps).....	49
FIGURE 18. EEPROM SMI HOST MODE TIMING CHARACTERISTICS.....	61
FIGURE 19. SCK/SDA POWER ON TIMING	61
FIGURE 20. EEPROM AUTO-LOAD TIMING.....	61
FIGURE 21. EEPROM SMI SLAVE MODE TIMING CHARACTERISTICS	62
FIGURE 22. MDIO SOURCE BY MASTER	63
FIGURE 23. MDIO SOURCE BY RTL8367RB (SLAVE).....	63
FIGURE 24. MII MAC MODE CLOCK TO DATA OUTPUT DELAY TIMING	64
FIGURE 25. MII MAC MODE INPUT TIMING	64
FIGURE 26. MII PHY MODE OUTPUT TIMING.....	65
FIGURE 27. MII PHY MODE CLOCK OUTPUT TO DATA INPUT DELAY TIMING	65
FIGURE 28. RGMII OUTPUT TIMING CHARACTERISTICS (RGX_TXCLK_DELAY=0)	66
FIGURE 29. RGMII OUTPUT TIMING CHARACTERISTICS (RGX_TXCLK_DELAY=2NS)	66
FIGURE 30. RGMII INPUT TIMING CHARACTERISTICS (RGX_RXCLK_DELAY=0).....	66
FIGURE 31. RGMII INPUT TIMING CHARACTERISTICS (RGX_RXCLK_DELAY=2NS).....	67
FIGURE 32. POWER AND RESET CHARACTERISTICS.....	68

1. General Description

The RTL8367RB is a LQFP128 EPAD, high-performance 5+2-port Gigabit Ethernet switch. The RTL8367RB feature low-power integrated 5-port Giga-PHYs that support 1000Base-T, 100Base-T, and 10Base-T.

For specific applications, the RTL8367RB supports two extra interfaces that could be configured as RGMII/MII interfaces. The RTL8367RB integrate all the functions of a high-speed switch system; including SRAM for packet buffering, non-blocking switch fabric, and internal register management into a single CMOS device. Only a 25MHz crystal is required; an optional EEPROM is offered for internal register configuration.

The embedded packet storage SRAM in the RTL8367RB features superior memory management technology to efficiently utilize memory space. The RTL8367RB integrates a 2K-entry look-up table with a 4-way XOR Hashing algorithm for address searching and learning. The table provides read/write access from the EEPROM Serial Management Interface (SMI), MII Management Interface (MIIM), or SPI Interface. And each of the entries can be configured as a static entry. The entry aging time is between 200 and 400 seconds. Eight Filtering Databases are used to provide Independent VLAN Learning and Shared VLAN Learning (IVL/SVL) functions.

The Extension GMAC1 and Extension GMAC2 of the RTL8367RB implement dual RGMII/MII interfaces. These interfaces could be connected to an external PHY, MAC, CPU, or RISC for specific applications. In router applications, the RTL8367RB supports Port VID (PVID) for each port to insert a PVID in the VLAN tag on egress. When using this function, VID information carried in the VLAN tag will be changed to PVID.

Note1: The RTL8367RB Extra Interface (Extension GMAC1 and Extension GMAC2) supports:

Dual ports Reduced Gigabit Media Independent Interface (RGMII)

Dual ports Media Independent Interface (MII)

The RTL8367RB supports standard 802.3x flow control frames for full duplex, and optional backpressure for half duplex. It determines when to invoke the flow control mechanism by checking the availability of system resources, including the packet buffers and transmitting queues. The RTL8367RB supports broadcast/multicast output dropping, and will forward broadcast/multicast packets to non-blocked ports only. For IP multicast applications, the RTL8367RB supports IPv4 IGMPv1/v2/v3 and IPv6 MLDv1/v2 snooping.

In order to support flexible traffic classification, the RTL8367RB supports 64-entry ACL rule check and multiple actions options. Each port can optionally enable or disable the ACL rule check function. The ACL rule key can be based on packet physical port, Layer2, Layer3, and Layer4 information. When an ACL rule matches, the action taken is configurable to Drop/Permit/Redirect/ Mirror, change priority value in 802.1q/Q tag, and rate policing. The rate policing mechanism supports from 8Kbps to 1Gbps (in 8Kbps steps).

In Bridge operation the RTL8367RB supports 16 sets of port configurations: disable, block, learning, and forwarding for Spanning Tree Protocol and Multiple Spanning Tree Protocol. To meet security and management application requirements, the RTL8367RB supports IEEE 802.1x Port-based/MAC-based Access Control. For those ports that do not pass IEEE 802.1x authentication, the RTL8367RB provides a Port-based/MAC-based Guest VLAN function for them to access limited network resources. A 1-set Port

Mirroring function is configured to mirror traffic (RX, TX, or both) appearing on one of the switch's ports. Support is provided on each port for multiple RFC MIB Counters, for easy debug and diagnostics.

To improve real-time or multimedia networking applications, the RTL8367RB supports eight priority assignments for each received packet. These are based on (1) Port-based priority; (2) 802.1p/Q VLAN tag priority; (3) DSCP field in IPv4/IPv6 header; and (4) ACL-assigned priority. Each output port supports a weighted ratio of eight priority queues to fit bandwidth requirements in different applications. The input bandwidth control function helps limit per-port traffic utilization. There is one leaky bucket for average packet rate control for each queue of all ports. Queue scheduling algorithm can use Strict Priority (SP) or Weighted Fair Queue (WFQ) or mixed.

The RTL8367RB provides a 4K-entry VLAN table for 802.1Q port-based, tag-based, and protocol-based VLAN operation to separate logical connectivity from physical connectivity. The RTL8367RB supports four Protocol-based VLAN configurations that can optionally select EtherType, LLC, and RFC1042 as the search key. Each port may be set to any topology via EEPROM upon reset, or EEPROM SMI Slave after reset.

In router applications, the router may want to know the input port of the incoming packet. The RTL8367RB supports an option to insert a VLAN tag with VID=Port VID (PVID) on each egress port. The RTL8367RB also provides an option to admit VLAN tagged packet with a specific PVID only. If this function is enabled, the RTL8367RB will drop all non-tagged packets and packets with an incorrect PVID.

CONFIDENTIAL

2. Features

- Single-chip 5+2-port gigabit non-blocking switch architecture;
- Embedded 5-port 10/100/1000Base-T PHY
- Each port supports full duplex 10/100/1000M connectivity (half duplex only supported in 10/100M mode)
- Extra Interface (Extension GMAC1 and Extension GMAC2) supports
 - ◆ Dual-port Media Independent Interface (MII)
 - ◆ Dual-port Reduced Gigabit Media Independent Interface (RGMII)
- Full-duplex and half-duplex operation with IEEE 802.3x flow control and backpressure
- Supports 9216-byte jumbo packet length forwarding at wire speed
- Supports Realtek Cable Test (RTCT) function
- Supports 64-entry ACL Rules
 - ◆ Search keys support physical port, Layer2, Layer3, and Layer4 information
 - ◆ Actions support mirror, redirect, dropping, priority adjustment, traffic policing, CVLAN decision, and SVLAN assignment GPIO control, interrupt and logging counter
 - ◆ Supports 5 types of user defined ACL rule format for 64 ACL rules
 - ◆ Optional per-port enable/disable of ACL function
 - ◆ Optional setting of per-port action to take when ACL mismatch
- Supports IEEE 802.1Q VLAN
 - ◆ Supports 4K VLANs and 32 Extra Enhanced VLANs
 - ◆ Supports Un-tag definition in each VLAN
 - ◆ Supports VLAN policing and VLAN forwarding decision
 - ◆ Supports Port-based, Tag-based, and Protocol-based VLAN
 - ◆ Up to 4 Protocol-based VLAN entries
 - ◆ Supports per-port and per-VLAN egress VLAN tagging and un-tagging
- Supports IVL, SVL, and IVL/SVL
 - ◆ Supports 2K-entry MAC address table with 4-way hash algorithm
 - ◆ Up to 2K L2/L3 Filtering Database
 - ◆ Per-port MAC learning limitation
- Supports Spanning Tree port behavior configuration
 - ◆ IEEE 802.1w Rapid Spanning Tree
 - ◆ IEEE 802.1s Multiple Spanning Tree with up to 16 Spanning Tree instances
- Supports IEEE 802.1x Access Control Protocol
 - ◆ Port-Based Access Control
 - ◆ MAC-Based Access Control
 - ◆ Guest VLAN
- Support Auto-Denial of Service
- Support H/W IGMP/MLD Snooping
 - ◆ IGMPv1/v2/3 and MLD v1/v2
 - ◆ Support Fast Leave

- ◆ Static router port configuration
- ◆ Dynamic router port learning and aging
- Supports Quality of Service (QoS)
 - ◆ Supports per port Input Bandwidth Control
 - ◆ Traffic classification based on IEEE 802.1p/Q priority definition, physical Port, IP DSCP field, ACL definition, VLAN based priority, MAC based priority and SVLAN based priority
 - ◆ Eight Priority Queues per port
 - ◆ Per queue flow control
 - ◆ Min-Max Scheduling
 - ◆ Strict Priority and Weighted Fair Queue (WFQ) to provide minimum bandwidth
 - ◆ One leaky bucket to constrain the average packet rate of each queue
- Supports rate limiting (64 shared meters, with 8kpbs granulation)
- Supports RFC MIB Counter
 - ◆ MIB-II (RFC 1213)
 - ◆ Ethernet-Like MIB (RFC 3635)
 - ◆ Interface Group MIB (RFC 2863)
 - ◆ RMON (RFC 2819)
 - ◆ Bridge MIB (RFC 1493)
 - ◆ Bridge MIB Extension (RFC 2674)
- Supports Stacking VLAN and Port Isolation with 8 Enhanced Filtering Databases
- Supports IEEE 802.1ad Stacking VLAN
 - ◆ Supports 64 SVLANs
 - ◆ Supports 32 L2/IPv4 Multicast mappings to SVLAN
 - ◆ Supports MAC-based 1:N VLAN
- Supports 2 IEEE 802.3ad Link aggregation port groups
- Supports Port Mirror function for one source port to multiple destination ports
- Supports OAM and EEE LLDP (Energy Efficient Ethernet Link Layer Discovery Protocol)
- Supports Loop Detection
- Security Filtering
 - ◆ Disable learning for each port
 - ◆ Disable learning-table aging for each port
 - ◆ Drop unknown DA for each port
- Broadcast/Multicast/Unknown DA storm control protects system from attack by hackers
- Supports Realtek Green Ethernet features
 - ◆ Link-On Cable Length Power Saving
 - ◆ Link-Down Power Saving
- Supports 1 interrupt output to external CPU for notification
- Each port supports 3 LED outputs
- Management Interface Supports
 - ◆ EEPROM SMI Slave interface
 - ◆ MII Management Interface (MIIM)
 - ◆ SPI Slave Interface
- Supports 32K-byte EEPROM space for configuration
- Integrated 8051 microprocessor.
- 25MHz crystal or 3.3V OSC input
- 14x14 LQFP 128-pin E-PAD package

3. System Applications

- 5-Port 1000Base-T Switch
- 5-Port 1000Base-T Router with Dual MII/RGMII

ZTE
CONFIDENTIAL

4. Application Examples

4.1. 5-Port 1000Base-T Switch

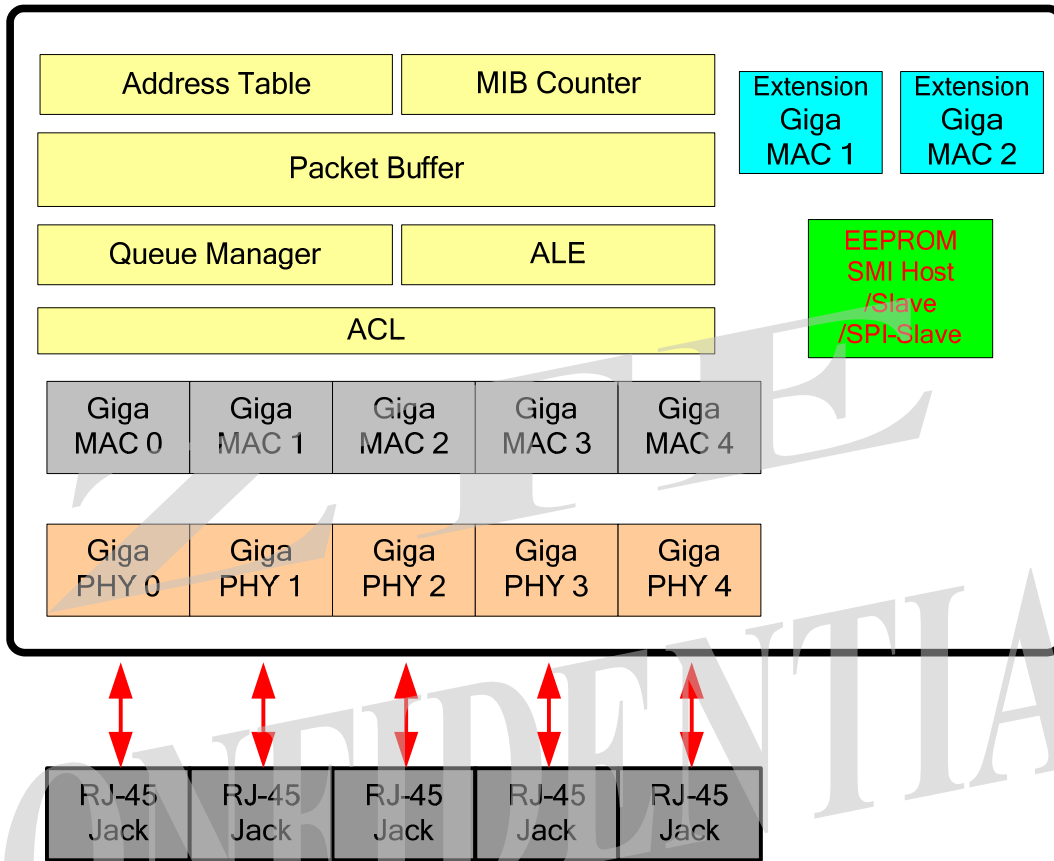


Figure 1. 5-Port 1000Base-T Switch

4.2. 5-Port 1000Base-T Router with Dual MII/RGMII

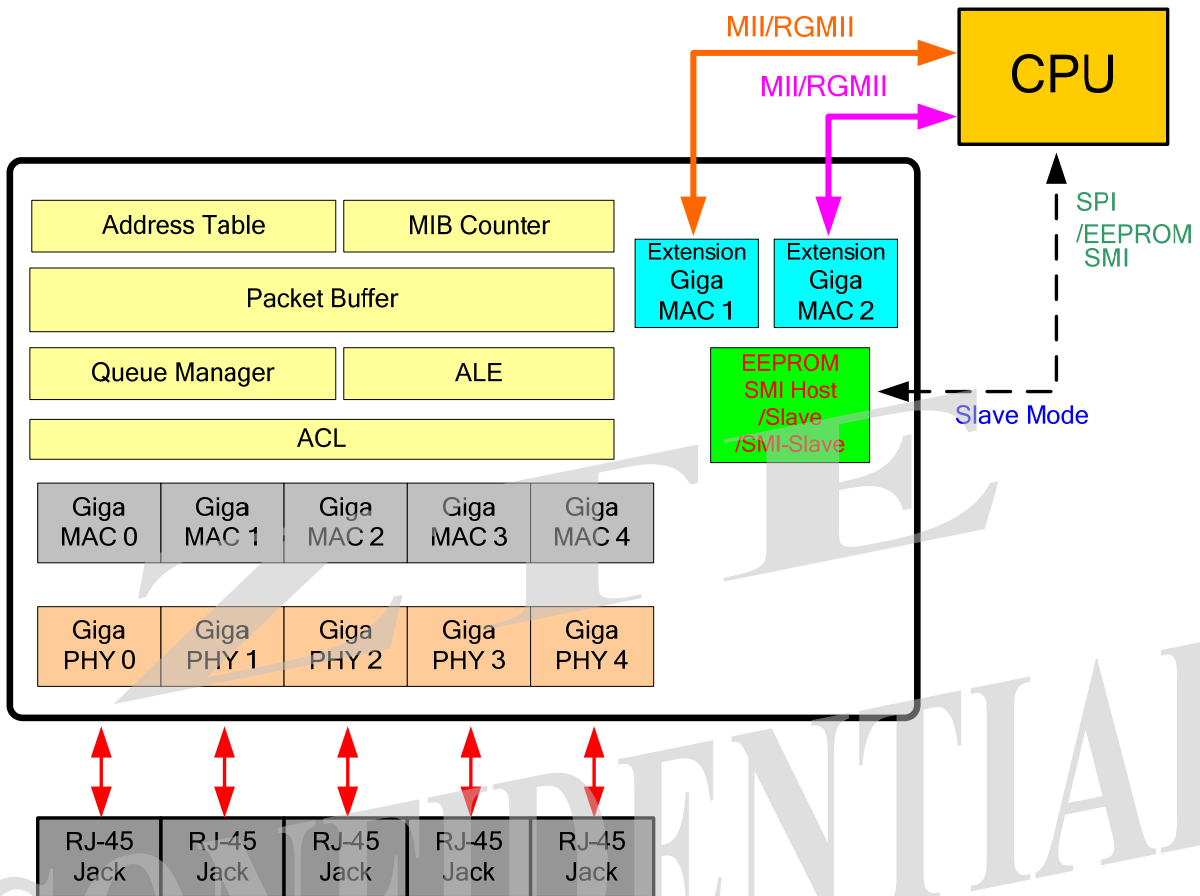


Figure 2. 5-Port 1000Base-T Router with Dual MII/RGMII

Note: Extra Interface (Extension GMAC1 and Extension GMAC2) in MII/RGMII Mode.

5. Block Diagram

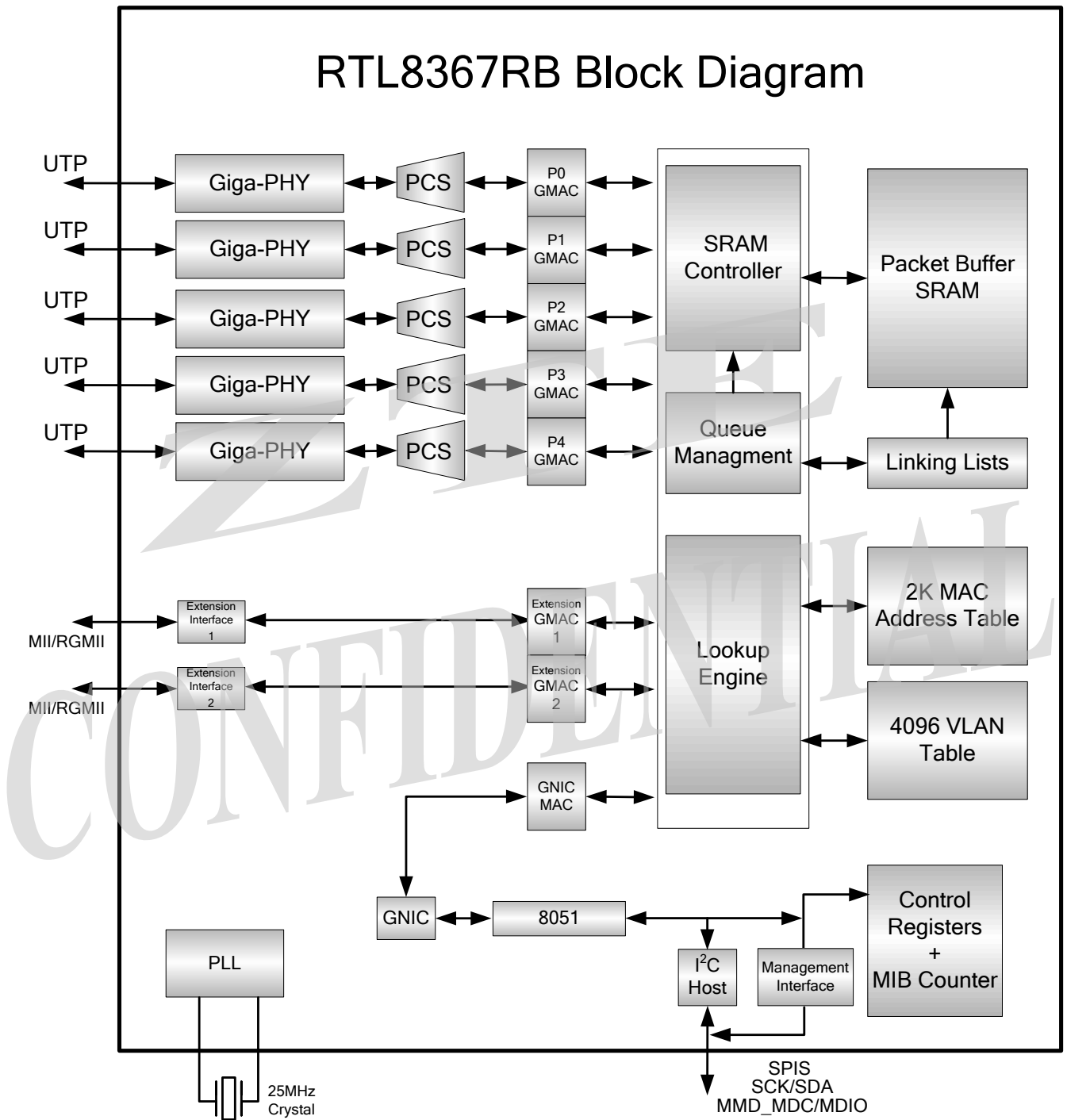


Figure 3. RTL8367RB Block Diagram

6. Pin Assignments

6.1. RTL8367RB Pin Assignments (LQFP-128EPAD)

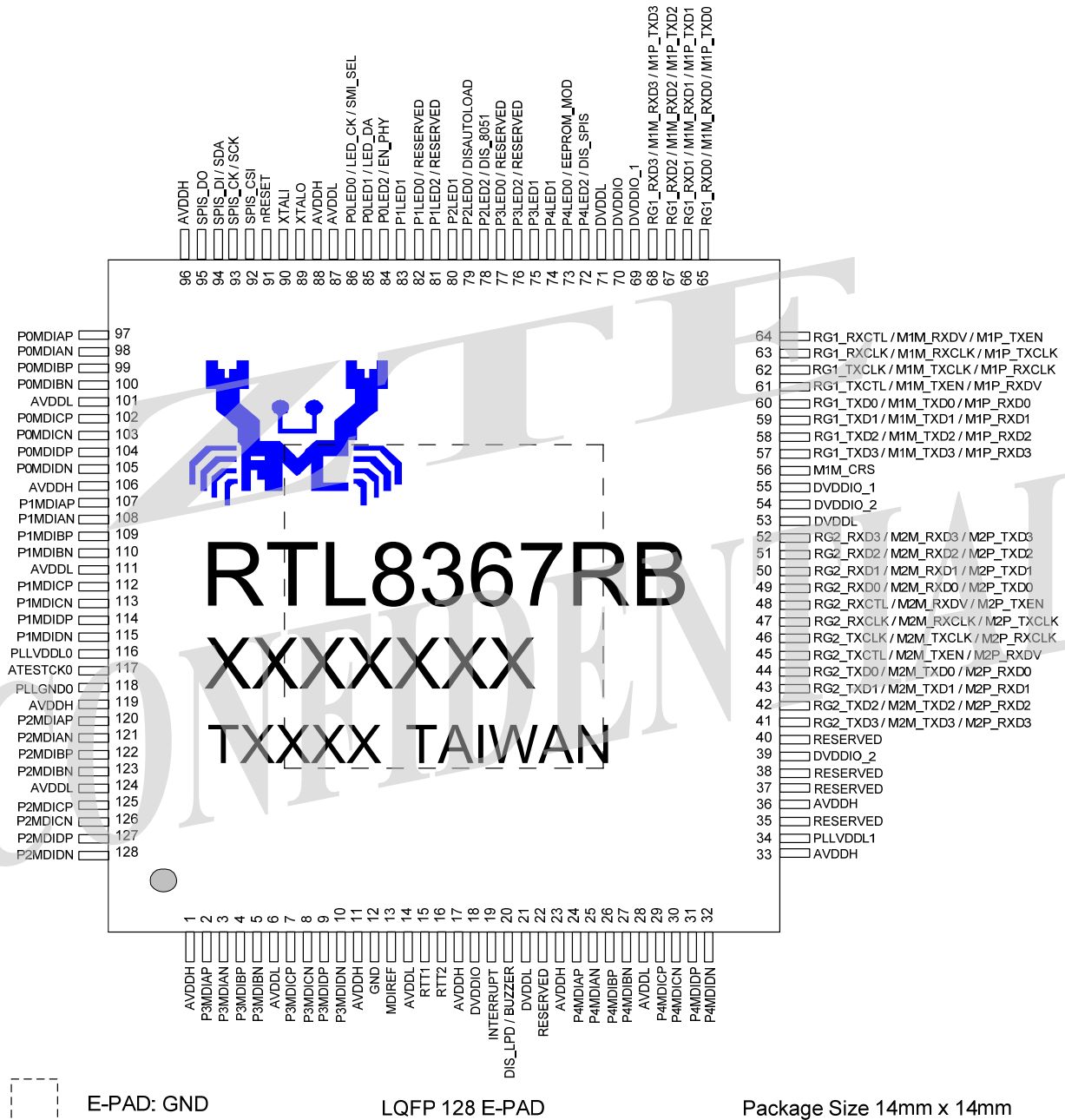


Figure 4. RTL8367RB Pin Assignments (LQFP-128 EPAD)

6.2. Package Identification

Green package is indicated by a 'G' in the location marked 'T' in Figure 4.

6.3. Pin Assignment Table

Upon Reset: Defined as a short time after the end of a hardware reset.

After Reset: Defined as the time after the specified 'Upon Reset' time.

I: Input Pin	AI: Analog Input Pin
O: Output Pin	AO: Analog Output Pin
I/O: Bi-Direction Input/Output Pin	AI/O: Analog Bi-Direction Input/Output Pin
P: Digital Power Pin	AP: Analog Power Pin
G: Digital Ground Pin	AG: Analog Ground Pin
I _{PU} : Input Pin With Pull-Up Resistor; (Typical Value = 75K Ohm)	O _{PU} : Output Pin With Pull-Up Resistor; (Typical Value = 75K Ohm)
I _S : Input Pin With Schmitt Trigger	

Table 1. Pin Assignment Table

Name	Pin No.	Type
AVDDH	1	AP
P3MDIAP	2	AI/O
P3MDIAN	3	AI/O
P3MDIBP	4	AI/O
P3MDIBN	5	AI/O
AVDDL	6	AP
P3MDICP	7	AI/O
P3MDICN	8	AI/O
P3MDIDP	9	AI/O
P3MDIDN	10	AI/O
AVDDH	11	AP
AGND	12	AG
MDIREF	13	AO
AVDDL	14	AP
RTT1	15	AO
RTT2	16	AO
AVDDH	17	AP
DVDDIO	18	P
INTERRUPT	19	O _{PU}
DIS_LPD / BUZZER	20	I/O _{PU}
DVDDL	21	P
RESERVED	22	I _{PU}
AVDDH	23	AP
P4MDIAP	24	AI/O

Name	Pin No.	Type
P4MDIAN	25	AI/O
P4MDIBP	26	AI/O
P4MDIBN	27	AI/O
AVDDL	28	AP
P4MDICP	29	AI/O
P4MDICN	30	AI/O
P4MDIDP	31	AI/O
P4MDIDN	32	AI/O
AVDDH	33	AP
PLLVDL1	34	AP
RESERVED	35	AO
AVDDH	36	AP
RESERVED	37	AO
RESERVED	38	AO
DVDDIO_2	39	P
RESERVED	40	I _{PU}
E2_DO3/RG2_TXD3/M2M_TXD3/ M2P_RXD3	41	I/O
E2_DO2/RG2_TXD2/M2M_TXD2/ M2P_RXD2	42	I/O
E2_DO1/RG2_TXD1/M2M_TXD1/ M2P_RXD1	43	O
E2_DO0/RG2_TXD0/M2M_TXD0/ M2P_RXD0	44	O

Name	Pin No.	Type
E2_DOEN/RG2_TXCTL/M2M_TXEN/M2P_RXDV	45	I/O
E2_GOCLK/RG2_TXCLK/M2M_TXCLK/M2P_RXCLK	46	I/O
E2_DICLK/RG2_RXCLK/M2M_RXCLK/M2P_TXCLK	47	I/O
E2_DIDV/RG2_RXCTL/M2M_RXDV/M2P_TXEN	48	I
E2_DI0/RG2_RXD0/M2M_RXD0/M2P_TXD0	49	I/O
E2_DI1/RG2_RXD1/M2M_RXD1/M2P_TXD1	50	I/O
E2_DI2/RG2_RXD2/M2M_RXD2/M2P_TXD2	51	I/O
E2_DI3/RG2_RXD3/M2M_RXD3/M2P_TXD3	52	I/O
DVDDL	53	P
DVDDIO_2	54	P
DVDDIO_1	55	P
E1_CRS/M1M_CRS	56	I
E1_DO3/RG1_TXD3/M1M_TXD3/M1P_RXD3	57	O
E1_DO2/RG1_TXD2/M1M_TXD2/M1P_RXD2	58	O
E1_DO1/RG1_TXD1/M1M_TXD1/M1P_RXD1	59	O
E1_DO0/RG1_TXD0/M1M_TXD0/M1P_RXD0	60	O
E1_DOEN/RG1_TXCTL/M1M_TXEN/M1P_RXDV	61	O
E1_GOCLK/RG1_TXCLK/M1M_TXCLK/M1P_RXCLK	62	I/O
E1_DICLK/RG1_RXCLK/M1M_RXCLK/M1P_TXCLK	63	I/O
E1_DIDV/RG1_RXCTL/M1M_RXDV/M1P_TXEN	64	I
E1_DI0/RG1_RXD0/M1M_RXD0/M1P_TXD0	65	I
E1_DI1/RG1_RXD1/M1M_RXD1/M1P_TXD1	66	I
E1_DI2/RG1_RXD2/M1M_RXD2/M1P_TXD2	67	I
E1_DI3/RG1_RXD3/M1M_RXD3/M1P_TXD3	68	I
DVDDIO_1	69	P
DVDDIO_0	70	P
DVDDL	71	P

Name	Pin No.	Type
P4LED2/DIS_SPIS	72	I/O _{PU}
P4LED0/EEPROM_MOD	73	I/O _{PU}
P4LED1	74	I/O _{PU}
P3LED1	75	I/O _{PU}
P3LED2/RESERVED	76	I/O _{PU}
P3LED0/RESERVED	77	I/O _{PU}
P2LED2/DIS_8051	78	I/O _{PU}
P2LED0/DISAUTOLOAD	79	I/O _{PU}
P2LED1	80	I/O _{PU}
P1LED2/RESERVED	81	I/O _{PU}
P1LED0/RESERVED	82	I/O _{PU}
P1LED1	83	I/O _{PU}
P0LED2/EN_PHY	84	I/O _{PU}
P0LED1/LED_DA	85	I/O _{PU}
P0LED0/LED_CK/SMI_SEL	86	I/O _{PU}
DVDDL	87	P
AVDDH	88	AP
XTALO	89	AO
XTALI	90	AI
nRESET	91	I _S
SPIS_CSI	92	I
SPIS_CK/SCK/MMD_MDC	93	I/O
SPIS_DI/SDA/MMD_MDIO	94	I/O
SPIS_DO	95	O
AVDDH	96	AP
P0MDIAP	97	AI/O
P0MDIAN	98	AI/O
P0MDIBP	99	AI/O
P0MDIBN	100	AI/O
AVDDL	101	AP
P0MDICP	102	AI/O
P0MDICN	103	AI/O
P0MDIDP	104	AI/O
P0MDIDN	105	AI/O
AVDDH	106	AP
P1MDIAP	107	AI/O
P1MDIAN	108	AI/O
P1MDIBP	109	AI/O
P1MDIBN	110	AI/O
AVDDL	111	AP
P1MDICP	112	AI/O
P1MDICN	113	AI/O
P1MDIDP	114	AI/O
P1MDIDN	115	AI/O

Name	Pin No.	Type
PLLVDL0	116	AP
AATESTCK0	117	AO
PLLGND0	118	AG
AVDDH	119	AP
P2MDIAP	120	AI/O
P2MDIAN	121	AI/O
P2MDIBP	122	AI/O

Name	Pin No.	Type
P2MDIBN	123	AI/O
AVDDL	124	AP
P2MDICP	125	AI/O
P2MDICN	126	AI/O
P2MDIDP	127	AI/O
P2MDIDN	128	AI/O
GND	EPAD	G

ZTE
CONFIDENTIAL

7. Pin Descriptions

7.1. Media Dependent Interface Pins

Table 2. Media Dependent Interface Pins

Pin Name	Pin No.	Type	Drive (mA)	Description
P0MDIAP/N	97	AI/O	10	Port 0 Media Dependent Interface A~D. For 1000Base-T operation, differential data from the media is transmitted and received on all four pairs. For 100Base-Tx and 10Base-T operation, only MDIAP/N and MDIBP/N are used. Auto MDIX can reverse the pairs MDIAP/N and MDIBP/N. Each of the differential pairs has an internal 100-ohm termination resistor.
	98			
P0MDIBP/N	99			
	100			
P0MDICP/N	102			
	103			
P0MDIDP/N	104			
	105			
P1MDIAP/N	107	AI/O	10	Port 1 Media Dependent Interface A~D. For 1000Base-T operation, differential data from the media is transmitted and received on all four pairs. For 100Base-Tx and 10Base-T operation, only MDIAP/N and MDIBP/N are used. Auto MDIX can reverse the pairs MDIAP/N and MDIBP/N. Each of the differential pairs has an internal 100-ohm termination resistor.
	108			
P1MDIBP/N	109			
	110			
P1MDICP/N	112			
	113			
P1MDIDP/N	114			
	115			
P2MDIAP/N	120	AI/O	10	Port 2 Media Dependent Interface A~D. For 1000Base-T operation, differential data from the media is transmitted and received on all four pairs. For 100Base-Tx and 10Base-T operation, only MDIAP/N and MDIBP/N are used. Auto MDIX can reverse the pairs MDIAP/N and MDIBP/N. Each of the differential pairs has an internal 100-ohm termination resistor.
	121			
P2MDIBP/N	122			
	123			
P2MDICP/N	125			
	126			
P2MDIDP/N	127			
	128			
P3MDIAP/N	2	AI/O	10	Port 3 Media Dependent Interface A~D. For 1000Base-T operation, differential data from the media is transmitted and received on all four pairs. For 100Base-Tx and 10Base-T operation, only MDIAP/N and MDIBP/N are used. Auto MDIX can reverse the pairs MDIAP/N and MDIBP/N. Each of the differential pairs has an internal 100-ohm termination resistor.
	3			
P3MDIBP/N	4			
	5			
P3MDICP/N	7			
	8			
P3MDIDP/N	9			
	10			
P4MDIAP/N	24	AI/O	10	Port 4 Media Dependent Interface A~D. For 1000Base-T operation, differential data from the media is transmitted and received on all four pairs. For 100Base-Tx and 10Base-T operation, only MDIAP/N and MDIBP/N are used. Auto MDIX can reverse the pairs MDIAP/N and MDIBP/N. Each of the differential pairs has an internal 100-ohm termination resistor.
	25			
P4MDIBP/N	26			
	27			
P4MDICP/N	29			
	30			
P4MDIDP/N	31			
	32			

7.2. General Purpose Interfaces

The RTL8367RB supports multi-function General Purpose Interfaces that can be configured as MII/RGMII mode for extra interfaces of Extension GMACs. The RTL8367RB supports two extension interfaces (Extension GMAC1 and Extension GMAC2) for connecting with an external PHY, MAC, or CPU in specific applications. These two extension interfaces support RGMII, MII MAC mode, or MII PHY mode via register configuration.

7.2.1. RGMII Pins

The Extension Extension GMAC1 and Extension GMAC2 of the RTL8367RB support dual RGMII interfaces to connect with an external MAC or PHY device when register configuration is set to RGMII mode interface.

Table 3. Extension GMAC1 RGMII Pins

Pin Name	Pin No.	Type	Drive (mA)	Description
RG1_TXD3 RG1_TXD2 RG1_TXD1 RG1_TXD0	57 58 59 60	O	-	RG1_TXD[3:0] Extension GMAC1 RGMII Transmit Data Output. Transmitted data is sent synchronously to RG1_TXCLK.
RG1_TXCTL	61	O	-	RG1_TXCTL Extension GMAC1 RGMII Transmit Control signal Output. The RG1_TXCTL indicates TX_EN at the rising edge of RG1_TXCLK, and TX_ER at the falling edge of RG1_TXCLK. At the RG1_TXCLK falling edge, RG1_TXCTL= TX_EN (XOR) TX_ER.
RG1_TXCLK	62	O	-	RG1_TXCLK Extension GMAC1 RGMII Transmit Clock Output. RG1_TXCLK is 125MHz @ 1Gbps, 25MHz @ 100Mbps, and 2.5MHz @ 10Mbps. Used for RG1_TXD[3:0] and RG1_TXCTL synchronization at RG1_TXCLK on both rising and falling edges.
RG1_RXCLK	63	I	-	RG1_RXCLK Extension GMAC1 RGMII Receive Clock Input. RG1_RXCLK is 125MHz @ 1Gbps, 25MHz @ 100Mbps, and 2.5MHz @ 10Mbps. Used for RG1_RXD[3:0] and RG1_RXCTL synchronization at both RG1_RXCLK rising and falling edges. This pin must be pulled low with a 1K ohm resistor when not used.
RG1_RXCTL	64	I	-	RG1_RXCTL Extension GMAC1 RGMII Receive Control signal input. The RG1_RXCTL indicates RX_DV at the rising of RG1_RXCLK and RX_ER at the falling edge of RG1_RXCLK. At RG1_RXCLK falling edge, RG1_RXCTL= RX_DV (XOR) RX_ER. This pin must be pulled low with a 1K ohm resistor when not used.
RG1_RXD0 RG1_RXD1 RG1_RXD2 RG1_RXD3	65 66 67 68	I	-	RG1_RXD[3:0] Extension GMAC1 RGMII Receive Data Input. Received data is received synchronously by RG1_RXCLK. These pins must be pulled low with a 1K ohm resistor when not used.

Table 4. Extension GMAC2 RGMII Pins

Pin Name	Pin No.	Type	Drive (mA)	Description
RG2_TXD3 RG2_TXD2 RG2_TXD1 RG2_TXD0	41 42 43 44	O	-	RG2_TXD[3:0] Extension GMAC2 RGMII Transmit Data Output. Transmitted data is sent synchronously to RG2_TXCLK.
RG2_TXCTL	45	O	-	RG2_TXCTL Extension GMAC2 RGMII Transmit Control signal Output. The RG2_TXCTL indicates TX_EN at the rising edge of RG2_TXCLK, and TX_ER at the falling edge of RG2_TXCLK. At the RG2_TXCLK falling edge, RG2_TXCTL= TX_EN (XOR) TX_ER.
RG2_TXCLK	46	O	-	RG2_TXCLK Extension GMAC2 RGMII Transmit Clock Output. RG2_TXCLK is 125MHz @ 1Gbps, 25MHz @ 100Mbps, and 2.5MHz @ 10Mbps. Used for RG2_TXD[3:0] and RG2_TXCTL synchronization at RG2_TXCLK on both rising and falling edges.
RG2_RXCLK	47	I	-	RG2_RXCLK Extension GMAC2 RGMII Receive Clock Input. RG2_RXCLK is 125MHz @ 1Gbps, 25MHz @ 100Mbps, and 2.5MHz @ 10Mbps. Used for RG2_RXD[3:0] and RG2_RXCTL synchronization at both RG2_RXCLK rising and falling edges. This pin must be pulled low with a 1K ohm resistor when not used.
RG2_RXCTL	48	I	-	RG2_RXCTL Extension GMAC2 RGMII Receive Control signal input. The RG2_RXCTL indicates RX_DV at the rising of RG2_RXCLK and RX_ER at the falling edge of RG2_RXCLK. At RG2_RXCLK falling edge, RG2_RXCTL= RX_DV (XOR) RX_ER. This pin must be pulled low with a 1K ohm resistor when not used.
RG2_RXD0 RG2_RXD1 RG2_RXD2 RG2_RXD3	49 50 51 52	I	-	RG2_RXD[3:0] Extension GMAC2 RGMII Receive Data Input. Received data is received synchronously by RG2_RXCLK. These pins must be pulled low with a 1K ohm resistor when not used.

7.2.2. MII Pins

The Extension Extension GMAC1 and Extension GMAC2 of the RTL8367RB also supports dual MII interfaces to connect with an external MAC or PHY device when register configuration is set to MII mode interface. These two MII interfaces also can be configured as MII MAC mode or MII PHY mode by register.

Table 5. Extension GMAC1 MII Pins (MII MAC Mode or MII PHY Mode)

Pin Name	Pin No.	Type	Drive (mA)	Description
M1M_CRS	56	I	-	M1M_CRS Extension GMAC1 MII MAC Mode Carrier Sense Input when operating in 10/100 MII half duplex mode. This pin must be pulled low with a 1K ohm resistor when not used.

Pin Name	Pin No.	Type	Drive (mA)	Description
M1M_TXD3/ M1P_RXD3	57	O	-	M1M_TXD[3:0] Extension GMAC1 MII MAC Mode Transmit Data Output.
M1M_TXD2/ M1P_RXD2	58			Transmitted data is sent synchronously at the rising edge of M1M_TXCLK.
M1M_TXD1/ M1P_RXD1	59			M1P_RXD[3:0] Extension GMAC1 MII PHY Mode Receive Data Output.
M1M_TXD0/ M1P_RXD0	60			Received data is received synchronously at the rising edge of M1P_RXCLK.
M1M_TXEN/ M1P_RXDV	61	O	-	M1M_TXEN Extension GMAC1 MII MAC Mode Transmit Data Enable Output. Transmit enable that is sent synchronously at the rising edge of M1M_TXCLK. M1P_RXDV Extension GMAC1 MII PHY Mode Receive Data Valid Output. Receive Data Valid signal that is sent synchronously at the rising edge of M1P_RXCLK.
M1M_TXCLK/ M1P_RXCLK	62	I/O	-	M1M_TXCLK Extension GMAC1 MII MAC Mode Transmit Clock Input. In MII 100Mbps, M1M_TXCLK is 25MHz Clock Input. In MII 10Mbps, M1M_TXCLK is 2.5MHz Clock Input. Used to synchronize M1M_TXD[3:0] and M1M_TXEN. M1P_RXCLK Extension GMAC1 MII PHY Mode Receive Clock Output. In MII 100Mbps, M1P_RXCLK is 25MHz Clock Output. In MII 10Mbps, M1P_RXCLK is 2.5MHz Clock Output. Used to synchronize M1P_RXD[3:0] and M1P_RXDV. This pin must be pulled low with a 1K ohm resistor when not used.
M1M_RXCLK/ M1P_TXCLK	63	I/O	-	M1M_RXCLK Extension GMAC1 MII MAC Mode Receive Clock Input. In MII 100Mbps, M1M_RXCLK is 25MHz Clock Input. In MII 10Mbps, M1M_RXCLK is 2.5MHz Clock Input. Used to synchronize M1M_RXD[3:0] and M1M_RXDV. M1P_TXCLK MAC8 MII PHY Mode Transmit Clock Output. In MII 100Mbps, M1P_TXCLK is 25MHz Clock Output. In MII 10Mbps, M1P_TXCLK is 2.5MHz Clock Output. Used to synchronize M1P_TXD[3:0] and M1P_TXEN. This pin must be pulled low with a 1K ohm resistor when not used.
M1M_RXDV/ M1P_TXEN	64	I	-	M1M_RXDV Extension GMAC1 MII MAC Mode Receive Data Valid Input. Receive Data Valid sent synchronously at the rising edge of M1M_RXCLK. M1P_TXEN Extension GMAC1 MII PHY Mode Transmit Data Enable Input. Transmit Data Enable is received synchronously at the rising edge of M1P_TXCLK. This pin must be pulled low with a 1K ohm resistor when not used.

Pin Name	Pin No.	Type	Drive (mA)	Description
M1M_RXD0/ M1P_TXD0	65	I	-	M1M_RXD[3:0] Extension GMAC1 MII MAC Mode Receive Data Input.
M1M_RXD1/ M1P_TXD1	66			Received data that is received synchronously at the rising edge of M1M_RXCLK.
M1M_RXD2/ M1P_TXD2	67			M1P_TXD[3:0] Extension GMAC1 MII PHY Mode Transmit Data Input. Transmitted data is received synchronously at the rising edge of M1P_TXCLK.
M1M_RXD3/ M1P_TXD3	68			These pins must be pulled low with a 1K ohm resistor when not used.

Table 6. Extension GMAC2 MII Pins (MII MAC Mode or MII PHY Mode)

Pin Name	Pin No.	Type	Drive (mA)	Description
M2M_TXD3/ M2P_RXD3	41	O	-	M2M_TXD[3:0] Extension GMAC2 MII MAC Mode Transmit Data Output.
M2M_TXD2/ M2P_RXD2	42			Transmitted data is sent synchronously at the rising edge of M2M_TXCLK.
M2M_TXD1/ M2P_RXD1	43			M2P_RXD[3:0] Extension GMAC2 MII PHY Mode Receive Data Output.
M2M_TXD0/ M2P_RXD0	44			Received data is received synchronously at the rising edge of M2P_RXCLK.
M2M_TXEN/ M2P_RXDV	45	O	-	M2M_TXEN Extension GMAC2 MII MAC Mode Transmit Data Enable Output. Transmit enable that is sent synchronously at the rising edge of M2M_TXCLK. M2P_RXDV Extension GMAC2 MII PHY Mode Receive Data Valid Output. Receive Data Valid signal that is sent synchronously at the rising edge of M2P_RXCLK.
M2M_TXCLK/ M2P_RXCLK	46	I/O	-	M2M_TXCLK Extension GMAC2 MII MAC Mode Transmit Clock Input. In MII 100Mbps, M2M_TXCLK is 25MHz Clock Input. In MII 10Mbps, M2M_TXCLK is 2.5MHz Clock Input. Used to synchronize M2M_TXD[3:0] and M2M_TXEN. M2P_RXCLK Extension GMAC2 MII PHY Mode Receive Clock Output. In MII 100Mbps, M2P_RXCLK is 25MHz Clock Output. In MII 10Mbps, M2P_RXCLK is 2.5MHz Clock Output. Used to synchronize M2P_RXD[3:0] and M2P_RXDV. This pin must be pulled low with a 1K ohm resistor when not used.

Pin Name	Pin No.	Type	Drive (mA)	Description
M2M_RXCLK/ M2P_TXCLK	47	I/O	-	M2M_RXCLK Extension GMAC2 MII MAC Mode Receive Clock Input. In MII 100Mbps, M2M_RXCLK is 25MHz Clock Input. In MII 10Mbps, M2M_RXCLK is 2.5MHz Clock Input. Used to synchronize M2M_RXD[3:0] and M2M_RXDV. M2P_TXCLK MAC8 MII PHY Mode Transmit Clock Output. In MII 100Mbps, M2P_TXCLK is 25MHz Clock Output. In MII 10Mbps, M2P_TXCLK is 2.5MHz Clock Output. Used to synchronize M2P_TXD[3:0] and M2P_TXEN. This pin must be pulled low with a 1K ohm resistor when not used.
M2M_RXDV/ M2P_TXEN	48	I	-	M2M_RXDV Extension GMAC2 MII MAC Mode Receive Data Valid Input. Receive Data Valid sent synchronously at the rising edge of M2M_RXCLK. M2P_TXEN Extension GMAC2 MII PHY Mode Transmit Data Enable Input. Transmit Data Enable is received synchronously at the rising edge of M2P_TXCLK. This pin must be pulled low with a 1K ohm resistor when not used.
M2M_RXD0/ M2P_TXD0	49	I	-	M2M_RXD[3:0] Extension GMAC2 MII MAC Mode Receive Data Input.
M2M_RXD1/ M2P_TXD1	50			Received data that is received synchronously at the rising edge of M2M_RXCLK.
M2M_RXD2/ M2P_TXD2	51			M2P_TXD[3:0] Extension GMAC2 MII PHY Mode Transmit Data Input.
M2M_RXD3/ M2P_TXD3	52			Transmitted data is received synchronously at the rising edge of M2P_TXCLK. These pins must be pulled low with a 1K ohm resistor when not used.

7.2.3. LED Pins

The RTL8367RB LED Pins can be configured to parallel mode LED or serial mode LED interface via Register configuration. LED0, LED1, and LED2 of Port n indicate information that can be defined via register or EEPROM.

In parallel mode LED interface, when the LED pin is pulled low, the LED output polarity will be high active. When the LED pin is pulled high, the LED output polarity will change from high active to low active. See section 9.19 LED Indicator, page 41 for more details.

Table 7. LED Pins

Pin Name	Pin No.	Type	Drive (mA)	Description
P4LED2/ DIS_SPIS	72	I/O _{PU}	-	Port 4 LED2 Output Signal. P4LED2 indicates information is defined by register or EEPROM. See section 9.19 LED Indicator, page 41 for more details.
P4LED1	74	I/O _{PU}	-	Port 4 LED1 Output Signal. P4LED1 indicates information is defined by register or EEPROM. See section 9.19 LED Indicator, page 41 for more details.
P4LED0/ EEPROM_MOD	73	I/O _{PU}	-	Port 4 LED0 Output Signal. P4LED0 indicates information is defined by register or EEPROM. See section 9.19 LED Indicator, page 41 for more details.
P3LED2/ RESERVED	76	I/O _{PU}	-	Port 3 LED2 Output Signal. P3LED2 indicates information is defined by register or EEPROM. See section 9.19 LED Indicator, page 41 for more details.
P3LED1	75	I/O _{PU}	-	Port 3 LED1 Output Signal. P3LED1 indicates information is defined by register or EEPROM. See section 9.19 LED Indicator, page 41 for more details.
P3LED0/ RESERVED	77	I/O _{PU}	-	Port 3 LED0 Output Signal. P3LED0 indicates information is defined by register or EEPROM. See section 9.19 LED Indicator, page 41 for more details.
P2LED2/ DIS_8051	78	I/O _{PU}	-	Port 2 LED2 Output Signal. P2LED2 indicates information is defined by register or EEPROM. See section 9.19 LED Indicator, page 41 for more details.
P2LED1	80	I/O _{PU}	-	Port 2 LED1 Output Signal. P2LED1 indicates information is defined by register or EEPROM. See section 9.19 LED Indicator, page 41 for more details.
P2LED0/ DISAUTOLOAD	79	I/O _{PU}	-	Port 2 LED0 Output Signal. P2LED0 indicates information is defined by register or EEPROM. See section 9.19 LED Indicator, page 41 for more details.
P1LED2/ RESERVED	81	I/O _{PU}	-	Port 1 LED2 Output Signal. P1LED2 indicates information is defined by register or EEPROM. See section 9.19 LED Indicator, page 41 for more details.
P1LED1	83	I/O _{PU}	-	Port 1 LED1 Output Signal. P1LED1 indicates information is defined by register or EEPROM. See section 9.19 LED Indicator, page 41 for more details.
P1LED0/ RESERVED	82	I/O _{PU}	-	Port 1 LED0 Output Signal. P1LED0 indicates information is defined by register or EEPROM. See section 9.19 LED Indicator, page 41 for more details.

Pin Name	Pin No.	Type	Drive (mA)	Description
P0LED2/ EN_PHY	84	I/O _{PU}	-	Port 0 LED2 Output Signal. P0LED2 indicates information is defined by register or EEPROM. See section 9.19 LED Indicator, page 41 for more details.
P0LED1/ LED_DA	85	I/O _{PU}	-	Port 0 LED1 Output Signal. P0LED1 indicates information is defined by register or EEPROM. See section 9.19 LED Indicator, page 41 for more details.
P0LED0/ LED_CK/ SMI_SEL	86	I/O _{PU}	-	Port 0 LED0 Output Signal. P0LED0 indicates information is defined by register or EEPROM. See section 9.19 LED Indicator, page 41 for more details.

7.3. Configuration Strapping Pins

Table 8. Configuration Strapping Pins

Pin Name	Pin No.	Type	Description
EEPROM_MOD/ P4LED0	73	I/O _{PU}	EEPROM Mode Selection. Pull Up: EEPROM 24Cxx Size greater than 16Kbits (24C32~24C256) Pull Down: EEPROM 24Cxx Size less than or equal to 16Kbit (24C02~24C16). <i>Note: This pin must be kept floating, or pulled high or low via an external 4.7k ohm resistor upon power on or reset.</i> <i>When this pin is pulled low, the LED output polarity will be high active. When this pin is pulled high, the LED output polarity will change from high active to low active. See section 9.19 LED Indicator, page 41 for more details.</i>
DIS_SPIS/ P4LED2	72	I/O _{PU}	SPI Slave Management Interface Selection Pull Up: Disable SPI Slave Management Interface Pull Down: Enable SPI Slave Management Interface <i>Note: This pin must be kept floating, or pulled high or low via an external 4.7k ohm resistor upon power on or reset.</i> <i>When this pin is pulled low, the LED output polarity will be high active. When this pin is pulled high, the LED output polarity will change from high active to low active. See section 9.19 LED Indicator, page 41 for more details.</i>
RESERVED/ P3LED2	76	I/O _{PU}	Internal Use/Reserved. <i>Note: This pin must be kept floating, or pulled high via an external 4.7k ohm resistor upon power on or reset.</i> <i>When pulled high, the LED output polarity will be low active. See section 9.19 LED Indicator, page 41 for more details.</i>
RESERVED/ P3LED0	77	I/O _{PU}	Internal Use/Reserved. <i>Note: This pin must be pulled low via an external 4.7k ohm resistor upon power on or reset for normal operation.</i> <i>When pulled low, the LED output polarity will be high active. See section 9.19 LED Indicator, page 41 for more details.</i>

Pin Name	Pin No.	Type	Description
DIS_8051/ P2LED2	78	I/O _{PU}	Disable Embedded 8051. Pull Up: Disable embedded 8051 Pull Down: Enable embedded 8051 <i>Note1: The strapping pin DISAUTOLOAD and DIS_8051 are for power on or reset initial stage configuration. Refer to Table 9 Configuration Strapping Pins (DISAUTOLOAD and DIS_8051), page 22 for details.</i> <i>Note2: This pin must be kept floating, or pulled high or low via an external 4.7k ohm resistor upon power on or reset.</i> <i>When this pin is pulled low, the LED output polarity will be high active. When this pin is pulled high, the LED output polarity will change from high active to low active. See section 9.19 LED Indicator, page 41 for more details.</i>
DISAUTOLOAD/ P2LED0	79	I/O _{PU}	Disable EEPROM Autoload. Pull Up: Disable EEPROM autoload Pull Down: Enable EEPROM autoload <i>Note1: The strapping pin DISAUTOLOAD and DIS_8051 are for power on or reset initial stage configuration. Refer to Table 9 Configuration Strapping Pins (DISAUTOLOAD and DIS_8051), page 22 for details.</i> <i>Note2: This pin must be kept floating, or pulled high or low via an external 4.7k ohm resistor upon power on or reset.</i> <i>When this pin is pulled low, the LED output polarity will be high active. When this pin is pulled high, the LED output polarity will change from high active to low active. See section 9.19 LED Indicator, page 41 for more details.</i>
RESERVED/ P1LED2	81	I/O _{PU}	Internal Use/Reserved. <i>Note: This pin must be kept floating, or pulled high via an external 4.7k ohm resistor upon power on or reset.</i> <i>When pulled high, the LED output polarity will be low active. See section 9.19 LED Indicator, page 41 for more details.</i>
RESERVED/ P1LED0	82	I/O _{PU}	Internal Use/Reserved. <i>Note: This pin must be pulled low via an external 4.7k ohm resistor upon power on or reset for normal operation.</i> <i>When pulled low, the LED output polarity will be high active. See section 9.19 LED Indicator, page 41 for more details.</i>
EN_PHY/ P0LED2	84	I/O _{PU}	Enable Embedded PHY. Pull Up: Enable embedded PHY Pull Down: Disable embedded PHY <i>Note: This pin must be kept floating, or pulled high or low via an external 4.7k ohm resistor upon power on or reset.</i> <i>When this pin is pulled low, the LED output polarity will be high active. When this pin is pulled high, the LED output polarity will change from high active to low active. See section 9.19 LED Indicator, page 41 for more details.</i>
SMI_SEL/ LED_CK/ P0LED0	86	I/O _{PU}	EEPROM SMI/MII Management Interface Selection. Pull Up: EEPROM SMI interface when DIS_SPIS = 1 Pull Down: MII Management interface when DIS_SPIS = 1 <i>Note: This pin must be kept floating, or pulled high or low via an external 4.7k ohm resistor upon power on or reset.</i> <i>When this pin is pulled low, the LED output polarity will be high active. When this pin is pulled high, the LED output polarity will change from high active to low active. See section 9.19 LED Indicator, page 41 for more details.</i>

Pin Name	Pin No.	Type	Description
DIS_LPD/ BUZZER	20	I/O _{PU}	Realtek Loop Detection Configuration. Pull Up: Disable Loop detection function Pull Down: Enable Loop detection function <i>Note: This pin must be kept floating, or pulled high or low via an external 4.7k ohm resistor upon power on or reset. 2KHz signal out when looping is detected.</i>
RESERVED	22	I/O _{PU}	Internal Use/Reserved. <i>Note: This pin must be kept floating, or pulled high via an external 4.7k ohm resistor upon power on or reset.</i>

Table 9. Configuration Strapping Pins (DISAUTOLOAD and DIS_8051)

DISAUTOLOAD	DIS_8051	Initial Stage (Power On or Reset) Loading Data	
		From	To
0	0	EEPROM	Register
	1	EEPROM	Embedded 8051 Instruction Memory
1	Irrelevant	Do Nothing	Do Nothing

7.4. Management Interface Pins

Table 10. Miscellaneous Pins

Pin Name	Pin No.	Type	Description
SPIS_CSI	92	I	When DIS_SPIS is Pull Low, SPI Slave Management Interface is Enabled. This pin act as SPI slave mode Chip Selection Input pin. When DIS_SPIS is Pull Up, SPI Slave Management Interface is Disabled. This pin is unused.
SPIS_CK/ SCK/ MMD_MDC	93	I/O	When DIS_SPIS is Pull Low, SPI Slave Management Interface is Enabled. This pin act as SPI slave mode Serial Clock Input pin. When DIS_SPIS is Pull Up, SPI Slave Management Interface is Disabled. This pin act as EEPROM SMI Interface Clock/MII Management Interface Clock (selected via the hardware strapping pin, SMI_SEL).
SPIS_DI/ SDA/ MMD_MDIO	94	I/O	When DIS_SPIS is Pull Low, SPI Slave Management Interface is Enabled. This pin act as SPI slave mode Serial Data Input pin. When DIS_SPIS is Pull Up, SPI Slave Management Interface is Disabled. This pin act as EEPROM SMI Interface Data/MII Management Interface Data (selected via the hardware strapping pin, SMI_SEL).
SPIS_DO	95	O	When DIS_SPIS is Pull Low, SPI Slave Management Interface is Enabled. This pin act as SPI slave mode Serial Data Output pin. When DIS_SPIS is Pull Up, SPI Slave Management Interface is Disabled. This pin is unused.
INTERRUPT	19	O	Interrupt Output for External CPU.

7.5. Miscellaneous Pins

Table 11. Miscellaneous Pins

Pin Name	Pin No.	Type	Description
XTALO	89	AO	25MHz Crystal Clock Output Pin. 25MHz +/-50ppm tolerance crystal output.
XTALI	90	AI	25MHz Crystal Clock Input and Feedback Pin. 25MHz +/-50ppm tolerance crystal reference or oscillator input.
MDIREF	13	AO	Reference Resistor. A 2.49K ohm (1%) resistor must be connected between MDIREF and GND.
RESERVED	35	AO	Reserved. Must be left floating in normal operation.
RESERVED	37	AO	Reserved. Must be left floating in normal operation.
RESERVED	38	AO	Reserved. Must be left floating in normal operation.
RESERVED	40	I	Reserved. Must be left floating in normal operation.
nRESET	91	I _S	System Reset Input Pin. When low active will reset the RTL8367RB.

7.6. Test Pins

Table 12. Test Pins

Pin Name	Pin No.	Type	Description
RTT1	15	AO	Reserved for Internal Use. Must be left floating.
RTT2	16	AO	Reserved for Internal Use. Must be left floating.
ATESTCK0	117	AO	Reserved for Internal Use. Must be left floating.

7.7. Power and GND Pins

Table 13. Power and GND Pins

Pin Name	Pin No.	Type	Description
DVDDIO	18, 70	P	Digital I/O High Voltage Power for LED, Management Interface, nRESET, INTERRUPT, and DIS_LPD/BUZZER.
DVDDIO_1	55, 69	P	Digital I/O High Voltage Power for Extension Port 1 General Purpose Interface.
DVDDIO_2	39, 54	P	Digital I/O High Voltage Power for Extension Port 2 General Purpose Interface.
DVDDL	21, 53, 71, 87	P	Digital Low Voltage Power.
AVDDH	1, 11, 17, 23, 33, 36, 88, 96, 106, 119	AP	Analog High Voltage Power.
AVDDL	6, 14, 28, 101, 111, 124	AP	Analog Low Voltage Power.

Pin Name	Pin No.	Type	Description
PLLVDDL0	118	AP	PLL0 Low Voltage Power.
PLLVDDL1	34	AP	PLL1 Low Voltage Power.
GND	EPAD	G	GND.
AGND	12	AG	Analog GND.
PLLGND0	118	AG	PLL0 GND.

ZTE
CONFIDENTIAL

8. Physical Layer Functional Overview

8.1. MDI Interface

The RTL8367RB embeds five Gigabit Ethernet PHYs in one chip. Each port uses a single common MDI interface to support 1000Base-T, 100Base-Tx, and 10Base-T. This interface consists of four signal pairs- A, B, C, and D. Each signal pair consists of two bi-directional pins that can transmit and receive at the same time. The MDI interface has internal termination resistors, and therefore reduces BOM cost and PCB complexity. For 1000Base-T, all four pairs are used in both directions at the same time. For 10/100 links and during auto-negotiation, only pairs A and B are used.

8.2. 1000Base-T Transmit Function

The 1000Base-TX transmit function performs 8B/10B coding, scrambling, and 4D-PAM5 encoding. These code groups are passed through a waveform-shaping filter to minimize EMI effects, and are transmitted onto 4-pair CAT5 cable at 125MBaud/s through a D/A converter.

8.3. 1000Base-T Receive Function

Input signals from the media pass through the sophisticated on-chip hybrid circuit to subtract the transmitted signal from the input signal for effective reduction of near-end echo. The received signal is then processed with state-of-the-art technology, e.g., adaptive equalization, BLW (Baseline Wander) correction, cross-talk cancellation, echo cancellation, timing recovery, error correction, and 4D-PAM5 decoding. The 8-bit-wide data is recovered and is sent to the GMII interface at a clock speed of 125MHz. The RX MAC retrieves the packet data from the internal receive MII/GMII interface and sends it to the packet buffer manager.

8.4. 100Base-TX Transmit Function

The 100Base-TX transmit function performs parallel to serial conversion, 4B/5B coding, scrambling, NRZ/NRZI conversion, and MLT-3 encoding. The 5-bit serial data stream after 4B/5B coding is then scrambled as defined by the TP-PMD Stream Cipher function to flatten the power spectrum energy such that EMI effects can be reduced significantly.

The scrambled seed is based on PHY addresses and is unique for each port. After scrambling, the bit stream is driven onto the network media in the form of MLT-3 signaling. The MLT-3 multi-level signaling technology moves the power spectrum energy from high frequency to low frequency, which also reduces EMI emissions.

8.5. 100Base-TX Receive Function

The receive path includes a receiver composed of an adaptive equalizer and DC restoration circuits (to compensate for an incoming distorted MLT-3 signal), an MLT-3 to NRZI and NRZI to NRZ converter to convert analog signals to digital bit-stream, and a PLL circuit to clock data bits with minimum bit error rate. A de-scrambler, 5B/4B decoder, and serial-to-parallel conversion circuits are followed by the PLL circuit. Finally, the converted parallel data is fed into the MAC.

8.6. 10Base-T Transmit Function

The output 10Base-T waveform is Manchester-encoded before it is driven onto the network media. The internal filter shapes the driven signals to reduce EMI emissions, eliminating the need for an external filter.

8.7. 10Base-T Receive Function

The Manchester decoder converts the incoming serial stream to NRZ data when the squelch circuit detects the signal level is above squelch level.

8.8. Auto-Negotiation for UTP

The RTL8367RB obtains the states of duplex, speed, and flow control ability for each port in UTP mode through the auto-negotiation mechanism defined in the IEEE 802.3 specifications. During auto-negotiation, each port advertises its ability to its link partner and compares its ability with advertisements received from its link partner. By default, the RTL8367RB advertises full capabilities (1000Full, 100Full, 100Half, 10Full, 10Half) together with flow control ability.

8.9. Crossover Detection and Auto Correction

The RTL8367RB automatically determines whether or not it needs to crossover between pairs (see Table 14) so that an external crossover cable is not required. When connecting to another device that does not perform MDI crossover, when necessary, the RTL8367RB automatically switches its pin pairs to communicate with the remote device. When connecting to another device that does have MDI crossover capability, an algorithm determines which end performs the crossover function.

The crossover detection and auto correction function can be disabled via register configuration. The pin mapping in MDI and MDI Crossover mode is given below.

Table 14. Media Dependent Interface Pin Mapping

Pairs	MDI			MDI Crossover		
	1000Base-T	100Base-TX	10Base-T	1000Base-T	100Base-TX	10Base-T
A	A	TX	TX	B	RX	RX
B	B	RX	RX	A	TX	TX
C	C	Unused	Unused	D	Unused	Unused
D	D	Unused	Unused	C	Unused	Unused

8.10. Polarity Correction

The RTL8367RB automatically corrects polarity errors on the receiver pairs in 1000Base-T and 10Base-T modes. In 100Base-TX mode, the polarity is irrelevant.

In 1000Base-T mode, receive polarity errors are automatically corrected based on the sequence of idle symbols. Once the de-scrambler is locked, the polarity is also locked on all pairs. The polarity becomes unlocked only when the receiver loses lock.

In 10Base-T mode, polarity errors are corrected based on the detection of valid spaced link pulses. The detection begins during the MDI crossover detection phase and locks when the 10Base-T link is up. The polarity becomes unlocked when the link is down.

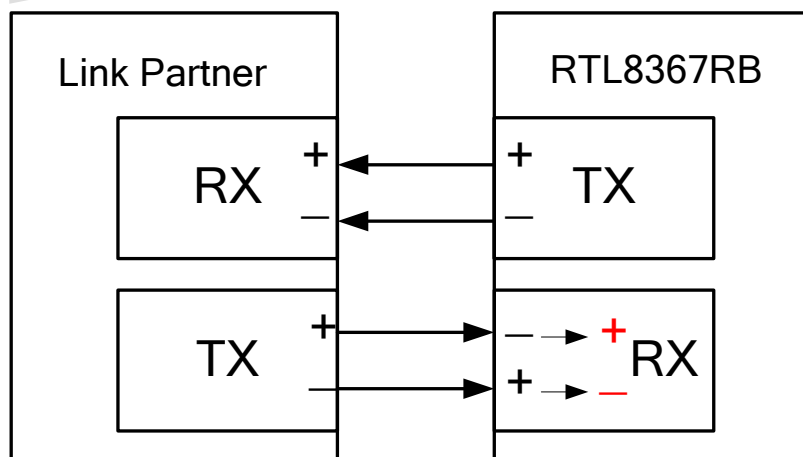


Figure 5. Conceptual Example of Polarity Correction

9. General Function Description

9.1. Reset

9.1.1. Hardware Reset

In a power-on reset, an internal power-on reset pulse is generated and the RTL8367RB will start the reset initialization procedures. These are:

- Determine various default settings via the hardware strap pins at the end of the nRESET signal
- Autoload the configuration from EEPROM if EEPROM is detected
- Complete the embedded SRAM BIST process
- Initialize the packet buffer descriptor allocation
- Initialize the internal registers and prepare them to be accessed by the external CPU

9.1.2. Software Reset

The RTL8367RB supports two software resets; a chip reset and a soft reset.

9.1.2.1 *CHIP_RESET*

When *CHIP_RESET* is set to 0b1 (write and self-clear), the chip will take the following steps:

1. Download configuration from strap pin and EEPROM
2. Start embedded SRAM BIST (Built-In Self Test)
3. Clear all the Lookup and VLAN tables
4. Reset all registers to default values
5. Restart the auto-negotiation process

9.1.2.2 *SOFT_RESET*

When *SOFT_RESET* is set to 0b1 (write and self-clear), the chip will take the following steps:

1. Clear the FIFO and re-start the packet buffer link list
2. Restart the auto-negotiation process

9.2. IEEE 802.3x Full Duplex Flow Control

The RTL8367RB supports IEEE 802.3x flow control in 10/100/1000M modes. Flow control can be decided in two ways:

- When Auto-Negotiation is enabled, flow control depends on the result of NWay
- When Auto-Negotiation is disabled, flow control depends on register definition

9.3. Half Duplex Flow Control

In half duplex mode, the CSMA/CD media access method is the means by which two or more stations share a common transmission medium. To transmit, a station waits (defers) for a quiet period on the medium (that is, no other station is transmitting) and then sends the intended message in bit-serial form. If the message collides with that of another station, then each transmitting station intentionally transmits for an additional predefined period to ensure propagation of the collision throughout the system. The station remains silent for a random amount of time (backoff) before attempting to transmit again.

When a transmission attempt has terminated due to a collision, it is retried until it is successful. The scheduling of the retransmissions is determined by a controlled randomization process called “truncated binary exponential backoff”. At the end of enforcing a collision (jamming), the switch delays before attempting to retransmit the frame. The delay is an integer multiple of slot time (512 bit times). The number of slot times to delay before the *n*th retransmission attempt is chosen as a uniformly distributed random integer ‘*r*’ in the range:

$$0 \leq r < 2k$$

where:

$k = \min(n, \text{backoffLimit})$. The backoffLimit for the RTL8367RB is 9.

The half duplex back-off algorithm in the RTL8367RB does not have the maximum retry count limitation of 16 (as defined in IEEE 802.3). This means packets in the switch will not be dropped if the back-off retry count is over 16.

9.3.1. Back-Pressure Mode

In Back-Pressure mode, the RTL8367RB sends a 4-byte jam pattern (data=0xAA) to collide with incoming packets when congestion control is activated. The Jam pattern collides at the fourth byte counted from the preamble. The RTL8367RB supports 48PASS1, which receives one packet after 48 consecutive jam collisions (data collisions are not included in the 48). Enable this function to prevent port partition after 63 consecutive collisions (data collisions + consecutive jam collisions).

9.4. Search and Learning

Search

When a packet is received, the RTL8367RB uses the destination MAC address, Filtering Identifier (FID) and enhanced Filtering Identifier (EFID) to search the 2K-entry look-up table. The 48-bit MAC address, 4-bit FID and 3-bit EFID use a hash algorithm, to calculate an 11-bit index value. The RTL8367RB uses the index to compare the packet MAC address with the entries (MAC addresses) in the look-up table. This is the 'Address Search'. If the destination MAC address is not found, the switch will broadcast the packet according to VLAN configuration.

Learning

The RTL8367RB uses the source MAC address, FID, and EFID of the incoming packet to hash into a 9-bit index. It then compares the source MAC address with the data (MAC addresses) in this index. If there is a match with one of the entries, the RTL8367RB will update the entry with new information. If there is no match and the 2K entries are not all occupied by other MAC addresses, the RTL8367RB will record the source MAC address and ingress port number into an empty entry. This process is called 'Learning'.

The RTL8367RB supports a 64-entry Content Addressable Memory (CAM) to avoid look-up table hash collisions. When all 2K entries in the look-up table index are occupied, the source MAC address can be learned into the 64-entry CAM. If both the look-up table and the CAM are full, the source MAC address will not be learned in the RTL8367RB.

Address aging is used to keep the contents of the address table correct in a dynamic network topology. The look-up engine will update the time stamp information of an entry whenever the corresponding source MAC address appears. An entry will be invalid (aged out) if its time stamp information is not refreshed by the address learning process during the aging time period. The aging time of the RTL8367RB is between 200 and 400 seconds (typical is 300 seconds).

9.5. SVL and IVL/SVL

The RTL8367RB supports a 16-group Filtering Identifier (FID) for L2 search and learning. In default operation, all VLAN entries belong to the same FID. This is called Shared VLAN Learning (SVL). If VLAN entries are configured to different FIDs, then the same source MAC address with multiple FIDs can be learned into different look-up table entries. This is called Independent VLAN Learning and Shared VLAN Learning (IVL/SVL).

9.6. Illegal Frame Filtering

Illegal frames such as CRC error packets, runt packets (length <64 bytes), and oversize packets (length >maximum length) will be discarded by the RTL8367RB. The maximum packet length may be set to 1522, 1536, 1552, or 16K bytes.

9.7. IEEE 802.3 Reserved Group Addresses Filtering Control

The RTL8367RB supports the ability to drop/forward IEEE 802.3 specified reserved group MAC addresses: 01-80-C2-00-00-00 to 01-80-C2-00-00-2F. The default setting enables forwarding of these reserved group MAC address control frames. Frames with group MAC address 01-80-C2-00-00-01 (802.3x Pause) and 01-80-C2-00-00-02 (802.3ad LACP) will always be filtered. Table 15 shows the Reserved Multicast Address (RMA) configuration mode from 01-80-C2-00-00-00 to 01-80-C2-00-00-2F.

Table 15. Reserved Multicast Address Configuration Table

Assignment	Value
Bridge Group Address	01-80-C2-00-00-00
IEEE Std 802.3, 1988 Edition, Full Duplex PAUSE operation	01-80-C2-00-00-01
IEEE Std 802.3ad Slow Protocols-Multicast address	01-80-C2-00-00-02
IEEE Std 802.1X PAE address	01-80-C2-00-00-03
Provider Bridge group address	1-80-C2-00-00-08
Undefined 802.1 Address	01-80-C2-00-00-04 ~ 01-80-C2-00-00-07 & 01-80-C2-00-00-09 ~ 01-80-C2-00-00-0C & 01-80-C2-00-00-0F
Provider Bridge MVRP address	01-80-C2-00-00-0D
IEEE Std 802.1AB Link Layer Discovery Protocol address	01-80-C2-00-00-0E
All LANs Bridge Management Group Address	01-80-C2-00-00-10
Load Server Generic Address	01-80-C2-00-00-11
Loadable Device Generic Address	01-80-C2-00-00-12

Assignment	Value
Undefined 802.1 Address	01-80-C2-00-00-13 ~ 01-80-C2-00-00-17 & 01-80-C2-00-00-19 & 01-80-C2-00-00-1B ~ 01-80-C2-00-00-1F
Generic Address for All Manager Stations	01-80-C2-00-00-18
Generic Address for All Agent Stations	01-80-C2-00-00-1a
GMRP Address	01-80-C2-00-00-20
GVRP address	01-80-C2-00-00-21
Undefined GARP Address	01-80-C2-00-00-22 01-80-C2-00-00-2F

ZTE

CONFIDENTIAL

9.8. Broadcast/Multicast/Unknown DA Storm Control

The RTL8367RB enables or disables per-port broadcast/multicast/unknown DA storm control by setting registers (default is disabled). After the receiving rate of broadcast/multicast/unknown DA packets exceeds a reference rate, all other broadcast/multicast/unknown DA packets will be dropped. The reference rate is set via register configuration.

9.9. Port Security Function

The RTL8367RB supports three types of security function to prevent malicious attacks:

- Per-port enable/disable SA auto-learning for an ingress packet
- Per-port enable/disable look-up table aging update function for an ingress packet
- Per-port enable/disable drop all unknown DA packets

9.10. MIB Counters

The RTL8367RB supports a set of counters to support management functions.

- MIB-II (RFC 1213)
- Ethernet-Like MIB (RFC 3635)
- Interface Group MIB (RFC 2863)
- RMON (RFC 2819)
- Bridge MIB (RFC 1493)
- Bridge MIB Extension (RFC 2674)

9.11. Port Mirroring

The RTL8367RB supports one set of port mirroring functions for all ports. The TX, or RX, or both TX/RX packets of the source port can be monitored to multiple mirror ports.

9.12. VLAN Function

The RTL8367RB supports 4K VLAN groups. These can be configured as port-based VLANs, IEEE 802.1Q tag-based VLANs, and Protocol-based VLANs. Two ingress-filtering and egress-filtering options provide flexible VLAN configuration:

Ingress Filtering

- The acceptable frame type of the ingress process can be set to ‘Admit All’ or ‘Admit All Tagged’
- ‘Admit’ or ‘Discard’ frames associated with a VLAN for which that port is not in the member set

Egress Filtering

- ‘Forward’ or ‘Discard’ Leaky VLAN frames between different VLAN domains
- ‘Forward’ or ‘Discard’ Multicast VLAN frames between different VLAN domains

The VLAN tag can be inserted or removed at the output port. The RTL8367RB will insert a Port VID (PVID) for untagged frames, or remove the tag from tagged frames. The RTL8367RB also supports a special insert VLAN tag function to separate traffic from the WAN and LAN sides in Router and Gateway applications.

In router applications, the router may want to know which input port this packet came from. The RTL8367RB supports Port VID (PVID) for each port and can insert a PVID in the VLAN tag on egress. Using this function, VID information carried in the VLAN tag will be changed to PVID. The RTL8367RB also provides an option to admit VLAN tagged packets with a specific PVID only. If this function is enabled, it will drop non-tagged packets and packets with an incorrect PVID.

9.12.1. Port-Based VLAN

This default configuration of the VLAN function can be modified via an attached serial EEPROM or EEPROM SMI Slave interface. The 4K-entry VLAN Table designed into the RTL8367RB provides full flexibility for users to configure the input ports to associate with different VLAN groups. Each input port can join with more than one VLAN group.

Port-based VLAN mapping is the simplest implicit mapping rule. Each ingress packet is assigned to a VLAN group based on the input port. It is not necessary to parse and inspect frames in real-time to determine their VLAN association. All the packets received on a given input port will be forwarded to this port’s VLAN members.

9.12.2. IEEE 802.1Q Tag-Based VLAN

The RTL8367RB supports 4K VLAN entries to perform 802.1Q tag-based VLAN mapping. In 802.1Q VLAN mapping, the RTL8367RB uses a 12-bit explicit identifier in the VLAN tag to associate received packets with a VLAN. The RTL8367RB compares the explicit identifier in the VLAN tag with the 4K VLAN Table to determine the VLAN association of this packet, and then forwards this packet to the member set of that VLAN. Two VIDs are reserved for special purposes. One of them is all 1’s, which is reserved and currently unused. The other is all 0’s, which indicates a priority tag. A priority-tagged frame should be treated as an untagged frame.

When ‘802.1Q tag aware VLAN’ is enabled, the RTL8367RB performs 802.1Q tag-based VLAN mapping for tagged frames, but still performs port-based VLAN mapping for untagged frames. If ‘802.1Q

tag aware VLAN' is disabled, the RTL8367RB performs only port-based VLAN mapping both on non-tagged and tagged frames. The processing flow when '802.1Q tag aware VLAN' is enabled is illustrated below.

Two VLAN ingress filtering functions are supported in registers by the RTL8367RB. One is the 'VLAN tag admit control, which provides the ability to receive VLAN-tagged frames only. Untagged or priority tagged (VID=0) frames will be dropped. The other is 'VLAN member set ingress filtering', which will drop frames if the ingress port is not in the member set.

9.12.3. Protocol-Based VLAN

The RTL8367RB supports a 4-group Protocol-based VLAN configuration. The packet format can be RFC 1042, LLC, or Ethernet, as shown in Figure 6. There are 4 configuration tables to assign the frame type and corresponding field value. Taking IP packet configuration as an example, the user can configure the frame type to be 'Ethernet', and value to be '0x0800'. Each table will index to one of the entries in the 4K-entry VLAN table. The packet stream will match the protocol type and the value will follow the VLAN member configuration of the indexed entry to forward the packets.

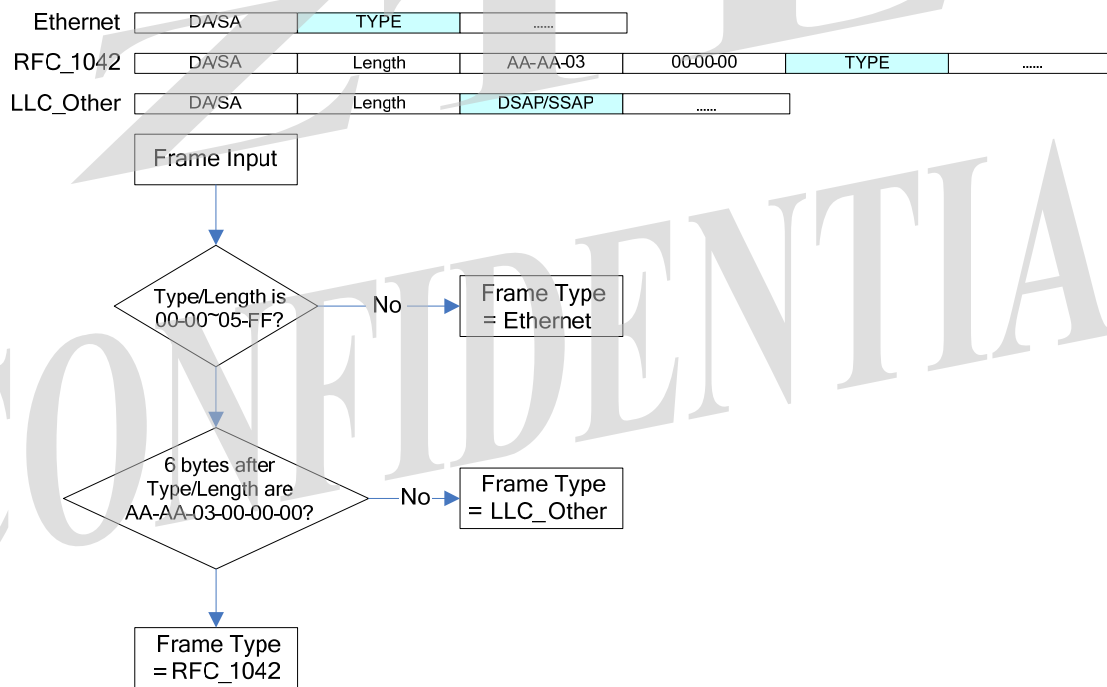


Figure 6. Protocol-Based VLAN Frame Format and Flow Chart

9.12.4. Port VID

In a router application, the router may want to know which input port this packet came from. The RTL8367RB supports Port VID (PVID) for each port to insert a PVID in the VLAN tag for untagged or priority tagged packets on egress. When 802.1Q tag-aware VLAN is enabled, VLAN tag admit control is enabled, and non-PVID Discard is enabled at the same time. When these functions are enabled, the RTL8367RB will drop non-tagged packets and packets with an incorrect PVID.

9.13. QoS Function

The RTL8367RB supports 8 priority queues and input bandwidth control. Packet priority selection can depend on Port-based priority, 802.1p/Q Tag-based priority, IPv4/IPv6 DSCP-based priority, and ACL-based priority. When multiple priorities are enabled in the RTL8367RB, the packet's priority will be assigned based on the priority selection table.

Each queue has one leaky bucket for Average Packet Rate. Per-queue in each output port can be set as Strict Priority (SP) or Weighted Fair Queue (WFQ) for packet scheduling algorithm.

9.13.1. Input Bandwidth Control

Input bandwidth control limits the input bandwidth. When input traffic is more than the RX Bandwidth parameter, this port will either send out a 'pause ON' frame, or drop the input packet depending on register setup. Per-port input bandwidth control rates can be set from 8Kbps to 1Gbps (in 8Kbps steps).

9.13.2. Priority Assignment

Priority assignment specifies the priority of a received packet according to various rules. The RTL8367RB can recognize the QoS priority information of incoming packets to give a different egress service priority.

The RTL8367RB identifies the priority of packets based on several types of QoS priority information:

- Port-based priority
- 802.1p/Q-based priority
- IPv4/IPv6 DSCP-based priority
- ACL-based priority
- VLAN based priority
- MAC based priority
- SVLAN based priority

9.13.3. Priority Queue Scheduling

The RTL8367RB supports MAX-MIN packet scheduling.

Packet scheduling offers two modes:

- APR leaky bucket, which specifies the average rate of one queue
- Weighted Fair Queue (WFQ), which decides which queue is selected in one slot time to guarantee the minimal packet rate of one queue

In addition, each queue of each port can select Strict Priority or WFQ packet scheduling according to packet scheduling mode. Figure 7 shows the RTL8367RB packet-scheduling diagram.

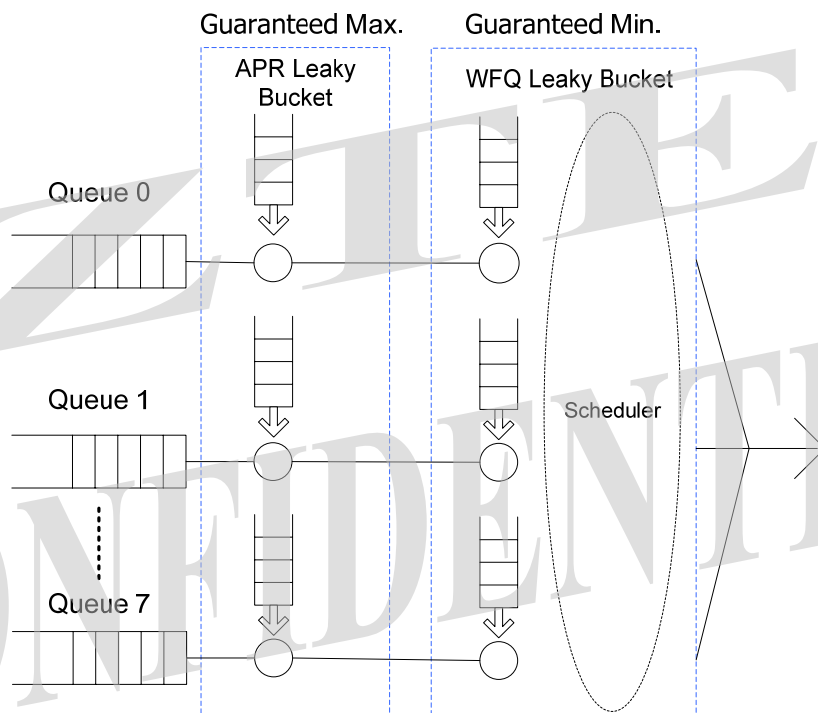


Figure 7. RTL8367RB MAX-MIN Scheduling Diagram

9.13.4. IEEE 802.1p/Q and DSCP Remarking

The RTL8367RB supports the IEEE 802.1p/Q and IP DSCP (Differentiated Services Code Point) remarking function. When packets egress from one of the 8 queues, the packet's 802.1p/Q priority and IP DSCP can optionally be remarked to a configured value. Each output queue has a 3-bit 802.1p/Q, and a 6-bit IP DSCP value configuration register.

9.13.5. ACL-Based Priority

The RTL8367RB supports 64-entry ACL (Access Control List) rules. When a packet is received, its physical port, Layer2, Layer3, and Layer4 information are recorded and compared to ACL entries.

If a received packet matches multiple entries, the entry with the lowest address is valid. If the entry is valid, the action bit and priority bit will be applied.

- If the action bit is ‘Drop’, the packet will be dropped. If the action bit is ‘CPU’, the packet will be trapped to the CPU instead of forwarded to non-CPU ports (except where it will be dropped by rules other than the ACL rule)
- If the action bit is ‘Permit’, ACL rules will override other rules
- If the action bit is ‘Mirror’, the packet will be forwarded to the mirror port and the L2 lookup result destination port. The mirror port indicates the port configured in the port mirror mechanism
- The priority bit will take effect only if the action bit is ‘CPU’, ‘Permit’, and ‘Mirror’. The Priority bit is used to determine the packet queue ID according to the priority assignment mechanism

9.14. IGMP & MLD Snooping Function

The RTL8367RB supports H/W IGMP v1/v2/v3 and MLD v1/v2. The RTL8367RB can learn multicast group membership information automatically without software effort. Multicast data packet would be forwarded to member ports only. The IGMP & MLD Snooping function in the RTL8367RB also supports “Fast Leave” for those application which wants to remove membership after receiving a Leave packet.

9.15. IEEE 802.1x Function

The RTL8367RB supports IEEE 802.1x Port-based/MAC-based Access Control.

- Port-Based Access Control for each port
- Authorized Port-Based Access Control for each port
- Port-Based Access Control Direction for each port
- MAC-Based Access Control for each port
- MAC-Based Access Control Direction
- Optional Unauthorized Behavior
- Guest VLAN

9.15.1. Port-Based Access Control

Each port of the RTL8367RB can be set to 802.1x port-based authenticated checking function usage and authorized status. Ports with 802.1X unauthorized status will drop received/transmitted frames.

9.15.2. Authorized Port-Based Access Control

If a dedicated port is set to 802.1x port-based access control, and passes the 802.1x authorization, then its port authorization status can be set to authorized.

9.15.3. Port-Based Access Control Direction

Ports with 802.1X unauthorized status will drop received/transmitted frames only when port authorization direction is 'BOTH'. If the authorization direction of an 802.1X unauthorized port is IN, incoming frames to that port will be dropped, but outgoing frames will be transmitted.

9.15.4. MAC-Based Access Control

MAC-Based Access Control provides authentication for multiple logical ports. Each logical port represents a source MAC address. There are multiple logical ports for a physical port. When a logical port or a MAC address is authenticated, the relevant source MAC address has the authorization to access the network. A frame with a source MAC address that is not authenticated by the 802.1x function will be dropped or trapped to the CPU.

9.15.5. MAC-Based Access Control Direction

Unidirectional and Bi-directional control are two methods used to process frames in 802.1x. As the system cannot predict which port the DA is on, a system-wide MAC-based access control direction setup is provided for determining whether receiving or bi-direction must be authorized.

If MAC-based access control direction is BOTH, then received frames with unauthenticated SA or unauthenticated DA will be dropped. When MAC-based access control direction is IN, only received frames with unauthenticated SA will be dropped.

9.15.6. Optional Unauthorized Behavior

Both in Port-Based Network Access Control and MAC-Based Access Control, a whole system control setup is provided to determine unauthorized frame dropping, trapping to CPU, or tagging as belonging to a Guest VLAN (see the following 'Guest VLAN' section).

9.15.7. Guest VLAN

When the RTL8367RB enables the Port-based or MAC-based 802.1x function, and the connected PC does not support the 802.1x function or does not pass the authentication procedure, the RTL8367RB will drop all packets from this port.

The RTL8367RB also supports one Guest VLAN to allow unauthorized ports or packets to be forwarded to a limited VLAN domain. The user can configure one VLAN ID and member set for these unauthorized packets.

9.16. IEEE 802.1D Function

When using IEEE 802.1D, the RTL8367RB supports 16 sets and four status' for each port for CPU implementation 802.1D (STP) and 802.1s (MSTP) function:

- Disabled: The port will not transmit/receive packets, and will not perform learning
- Blocking: The port will only receive BPDU spanning tree protocol packets, but will not transmit any packets, and will not perform learning
- Learning: The port will receive any packet, including BPDU spanning tree protocol packets, and will perform learning, but will only transmit BPDU spanning tree protocol packets
- Forwarding: The port will transmit/receive all packets, and will perform learning

The RTL8367RB also supports a per-port transmission/reception enable/disable function. Users can control the port state via register.

9.17. Embedded 8051

An 8051 MCU is embedded in the RTL8367RB to support management functions. The 8051 MCU can access all of the registers in the RTL8367RB through the internal bus. With the Network Interface Circuit (NIC) acting as the data path, the 8051 MCU connects to the switch core and can transmit frames to or receive frames from the Ether network. The features of the 8051 MCU are listed below:

- 256 Bytes fast internal RAM
- On-chip 32K data memory
- On-chip 16K code memory
- Supports code-banking
- 12KBytes NIC buffer
- EEPROM read/write ability

9.18. Realtek Cable Test (RTCT)

The RTL8367RB physical layer transceivers use DSP technology to implement the Realtek Cable Test (RTCT) feature. The RTCT function can be used to detect short, open, or impedance mismatch in each differential pair. The RTL8367RB also provides LED support to indicate test status and results.

9.19. LED Indicator

The RTL8367RB supports parallel LEDs for each port. Each port has three LED indicator pins, LED0, LED1, and LED2. Each pin may have different indicator information (defined in Table 16). Refer to section 7.2.3 LED Pins, page 19 for pin details. Upon reset, the RTL8367RB supports chip diagnostics and LED operation test by blinking all LEDs once.

Table 16. LED Definitions

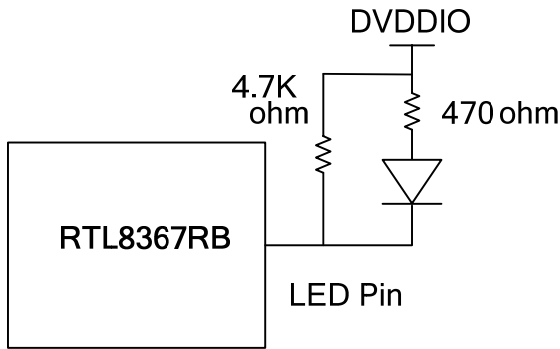
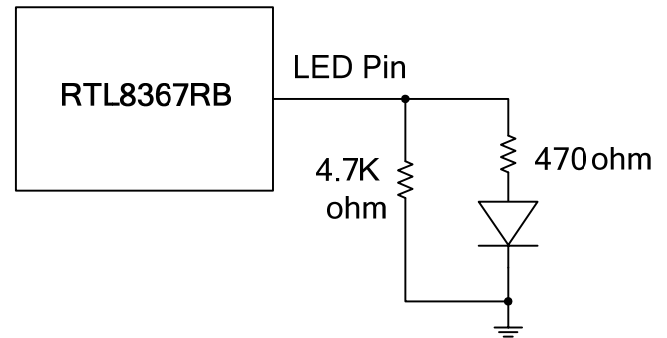
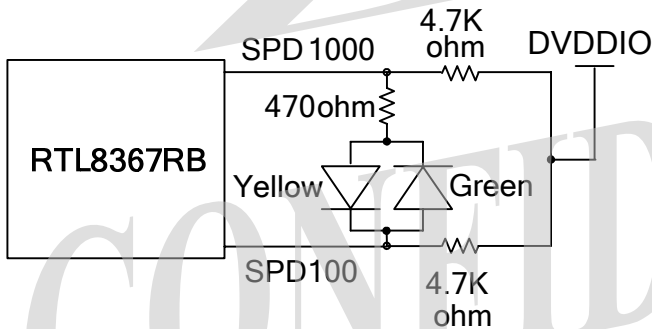
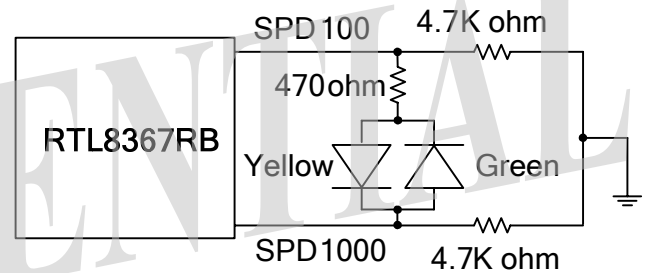
LED Statuses	Description
LED_Off	LED pin Output disable.
Dup/Col	Duplex/Collision, Indicator. Blinking when collision occurs. Low for full duplex, and high for half duplex mode.
Link/Act	Link, Activity Indicator. Low for link established. Link/Act Blinking when the corresponding port is transmitting or receiving.
Spd1000	1000Mbps Speed Indicator. Low for 1000Mbps.
Spd100	100Mbps Speed Indicator. Low for 100Mbps.
Spd10	10Mbps Speed Indicator. Low for 10Mbps.
Spd1000/Act	1000Mbps Speed/Activity Indicator. Low for 1000Mbps. Blinking when the corresponding port is transmitting or receiving.
Spd100/Act	100Mbps Speed/Activity Indicator. Low for 100Mbps. Blinking when the corresponding port is transmitting or receiving.
Spd10/Act	10Mbps Speed/Activity Indicator. Low for 10Mbps. Blinking when the corresponding port is transmitting or receiving.
Spd100 (10)/Act	10/100Mbps Speed/Activity Indicator. Low for 10/100Mbps. Blinking when the corresponding port is transmitting or receiving.
Act	Activity Indicator. Act blinking when the corresponding port is transmitting or receiving.

The LED pin also supports pin strapping configuration functions. The PnLED0, PnLED1, and PnLED2 pins are dual-function pins: input operation for configuration upon reset, and output operation for LED after reset. If the pin input is pulled high upon reset, the pin output is active low after reset. If the pin input is pulled down upon reset, the pin output is active high after reset. For details refer to Figure 8, page 42, and Figure 9, page 42. Typical values for pull-up/pull-down resistors are 4.7KΩ.

The PnLED1 can be combined with PnLED1 or PnLED2 as a Bi-color LED.

LED_ PnLED1 should operate with the same polarity as other Bi-color LED pins. For example:

- P0LED1 should pull up upon reset if P0LED1 is combined with P0LED2 as a Bi-color LED, and P0LED2 input is pulled high upon reset. In this configuration, the output of these pins is active low after reset
- P0LED1 should be pulled down upon reset if P0LED1 is combined with P0LED2 as a Bi-color LED, and P0LED2 input is pulled down upon reset. In this configuration, the output of these pins is active high after reset

Pull-Up

LED Pins Output Active Low
Pull-Down

LED Pins Output Active High
Figure 8. Pull-Up and Pull-Down of LED Pins for Single-Color LED
Pull-Up

LED Pins Output Active Low
Pull-Down

LED Pins Output Active High
Figure 9. Pull-Up and Pull-Down of LED Pins for Bi-Color LED

9.20. Green Ethernet

9.20.1. Link-On and Cable Length Power Saving

The RTL8367RB provides link-on and dynamic detection of cable length and dynamic adjustment of power required for the detected cable length. This feature provides high performance with minimum power consumption.

9.20.2. Link-Down Power Saving

The RTL8367RB implements link-down power saving on a per-port basis, greatly cutting power consumption when the network cable is disconnected. After it detects an incoming signal, it wakes up from link-down power saving and operates in normal mode.

9.21. IEEE 802.3az Energy Efficient Ethernet (EEE) Function

The RTL8367RB support IEEE 802.3az Energy Efficient Ethernet ability for 1000Base-T, 100Base-TX in full duplex operation, and 10Base-T in full/half duplex mode.

The Energy Efficient Ethernet (EEE) optional operational mode combines the IEEE 802.3 Media Access Control (MAC) sub-layer with 100Base-T and 1000Base-T Physical Layers defined to support operation in Low Power Idle mode. When Low Power Idle mode is enabled, systems on both sides of the link can disable portions of the functionality and save power during periods of low link utilization.

- For 1000Base-T PHY: Supports Energy Efficient Ethernet with the optional function of Low Power Idle
- For 100Base-TX PHY: Supports Energy Efficient Ethernet with the optional function of Low Power Idle
- For 10Base-T, EEE defines a 10Mbps PHY (10Base-Te) with reduced transmit amplitude requirements. 10Base-Te is fully interoperable with 10Base-T PHYs over 100m of class-D (Cat-5) cable

The RTL8367RB MAC uses Low Power Idle signaling to indicate to the PHY, and to the link partner, that a break in the data stream is expected, and components may use this information to enter power saving modes that require additional time to resume normal operation. Similarly, it informs the LPI Client that the link partner has sent such an indication.

9.22. Interrupt Pin for External CPU

The RTL8367RB provides one Interrupt output pin to interrupt an external CPU. The polarity of the Interrupt output pin can be configured via register access. In configuration registers, each port has link-up and link-down interrupt flags with mask.

When port link-up or link-down interrupt mask is enabled, the RTL8367RB will raise the interrupt signal to alarm the external CPU. The CPU can read the interrupt flag to determine which port has changed to which status.

10. Interface Descriptions

10.1. EEPROM SMI Host to EEPROM

The EEPROM interface of the RTL8367RB uses the serial bus EEPROM Serial Management Interface (SMI) to read the EEPROM that space up to 256K-bits. When the RTL8367RB is powered up, it drives SCK and SDA to read the registers from the EEPROM.

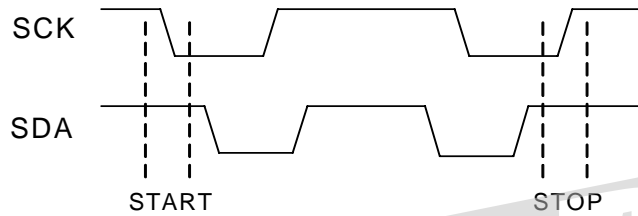


Figure 10. SMI Start and Stop Command

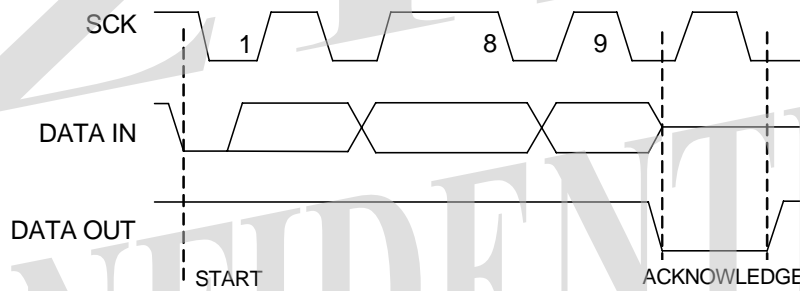


Figure 11. EEPROM SMI Host to EEPROM

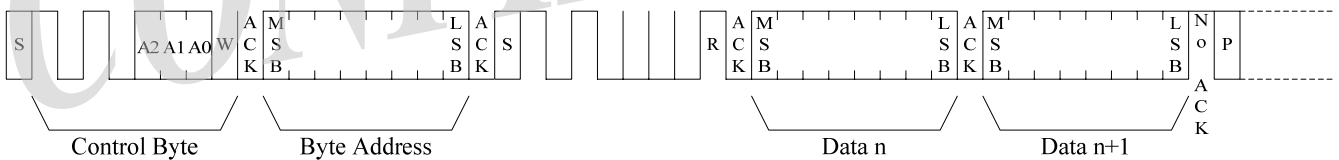


Figure 12. EEPROM SMI Host Mode Frame

10.2. EEPROM SMI Slave for External CPU

When EEPROM auto-load is complete, the RTL8367RB registers can be accessed via SCK and SDA via an external CPU. The device address of the RTL8367RB is 0x4. For the start and end of a write/read command, SCK needs one extra clock before/after the start/stop signals.

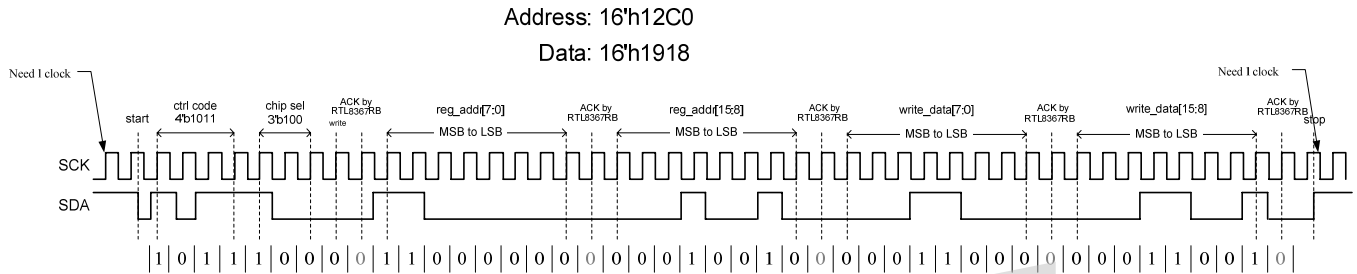


Figure 13. EEPROM SMI Write Command for Slave Mode

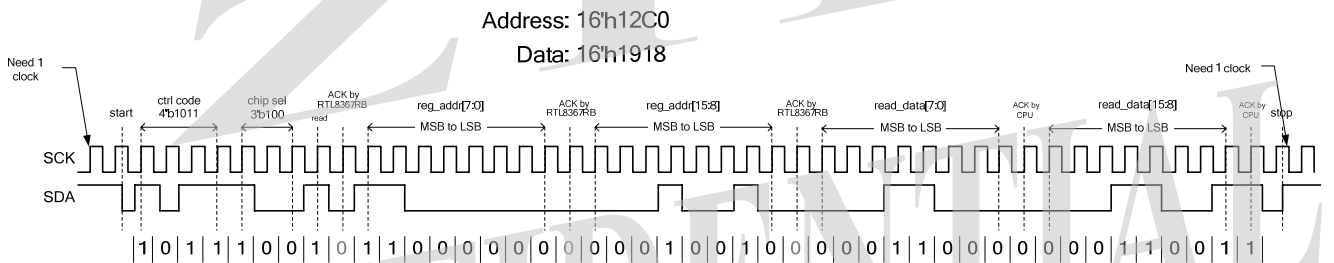


Figure 14. EEPROM SMI Read Command for Slave Mode

10.3. General Purpose Interface

The RTL8367RB supports two extension interfaces. The interface function mux is summarized in Table 17 & Table 18. The Extension GMAC1 and Extension GMAC2 of the RTL8367RB support RGMII, MII MAC mode, or MII PHY mode via register configuration.

Table 17. RTL8367RB Extension Port 1 Pin Definitions

Pin No.	Extension Interface	Type	RGMII	MII MAC Mode	MII PHY Mode
56	E1_CRS	I	-	M1M_CRS	-
57	E1_DO3	O	RG1_TXD3	M1M_TXD3	M1P_RXD3
58	E1_DO2	O	RG1_TXD2	M1M_TXD2	M1P_RXD2
59	E1_DO1	O	RG1_TXD1	M1M_TXD1	M1P_RXD1
60	E1_DO0	O	RG1_TXD0	M1M_TXD0	M1P_RXD0
61	E1_DOEN	O	RG1_TXCTL	M1M_TXEN	M1P_RXDV
62	E1_GCLK	O	RG1_TXCLK	M1M_TXCLK	M1P_RXCLK
63	E1_DICLK	I	RG1_RXCLK	M1M_RXCLK	M1P_TXCLK
64	E1_DIDV	I	RG1_RXCTL	M1M_RXDV	M1P_TXEN
65	E1_DI0	I	RG1_RXD0	M1M_RXD0	M1P_TXD0
66	E1_DI1	I	RG1_RXD1	M1M_RXD1	M1P_TXD1
67	E1_DI2	I	RG1_RXD2	M1M_RXD2	M1P_TXD2
68	E1_DI3	I	RG1_RXD3	M1M_RXD3	M1P_TXD3

Table 18. RTL8367RB Extension Port 2 Pin Definitions

Pin No.	Extension Interface	Type	RGMII	MII MAC Mode	MII PHY Mode
41	E2_DO3	O	RG2_TXD3	M2M_TXD3	M2P_RXD3
42	E2_DO2	O	RG2_TXD2	M2M_TXD2	M2P_RXD2
43	E2_DO1	O	RG2_TXD1	M2M_TXD1	M2P_RXD1
44	E2_DO0	O	RG2_TXD0	M2M_TXD0	M2P_RXD0
45	E2_DOEN	O	RG2_TXCTL	M2M_TXEN	M2P_RXDV
46	E2_GCLK	O	RG2_TXCLK	M2M_TXCLK	M2P_RXCLK
47	E2_DICLK	I	RG2_RXCLK	M2M_RXCLK	M2P_TXCLK
48	E2_DIDV	I	RG2_RXCTL	M2M_RXDV	M2P_TXEN
49	E2_DI0	I	RG2_RXD0	M2M_RXD0	M2P_TXD0
50	E2_DI1	I	RG2_RXD1	M2M_RXD1	M2P_TXD1
51	E2_DI2	I	RG2_RXD2	M2M_RXD2	M2P_TXD2
52	E2_DI3	I	RG2_RXD3	M2M_RXD3	M2P_TXD3

10.3.1. Extension Ports RGMII Mode (1Gbps)

The Extension GMAC1 and Extension GMAC2 of the RTL8367RB support dual-port RGMII interfaces to an external CPU. The pin numbers and names are shown in Table 19 and Table 20. Figure 15 shows the signal diagram for Extension Port 1 and Extension Port 2 in RGMII interfaces.

Table 19. Extension GMAC1 RGMII Pins

RTL8367RB Pin No.	Type	Extension Port 1 RGMII
57, 58, 59, 60	O	RG1_TXD[3:0]
61	O	RG1_TXCTL
62	O	RG1_TXCLK
63	I	RG1_RXCLK
64	I	RG1_RXCTL
65, 66, 67, 68	I	RG1_RXD[0:3]

Table 20. Extension GMAC2 RGMII Pins

RTL8367RB Pin No.	Type	Extension Port 2 RGMII
41, 42, 43, 44	O	RG2_TXD[3:0]
45	O	RG2_TXCTL
46	O	RG2_TXCLK
47	I	RG2_RXCLK
48	I	RG2_RXCTL
49, 50, 51, 52	I	RG2_RXD[0:3]

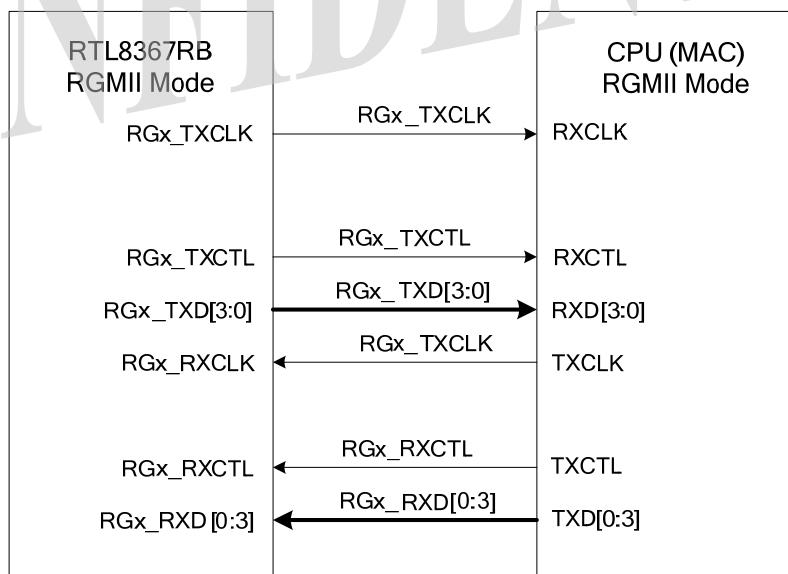


Figure 15. RGMII Mode Interface Signal Diagram

10.3.2. Extension Ports MII MAC/PHY Mode Interface (10/100Mbps)

Both the Extension GMAC1, and Extension GMAC2 of the RTL8367RB support MII MAC/PHY mode interfaces to an external CPU. The pin numbers and names are shown in Table 21, and Table 22. Figure 16, page 49, shows the signal diagram for the MII PHY mode interface, and Figure 17, page 49, for the MAC mode interface.

Table 21. Extension GMAC1 MII Pins

RTL8367RB Pin No.	Type	Extension Port 1 MII MAC Mode	Type	Extension Port 1 MII PHY Mode
56	I	M1M_CRS		
57, 58, 59, 60	O	M1M_TXD[3:0]	O	M1P_RXD[3:0]
61	O	M1M_TXEN	O	M1P_RXDV
62	I	M1M_TXCLK	O	M1P_RXCLK
63	I	M1M_RXCLK	O	M1P_TXCLK
64	I	M1M_RXDV	I	M1P_TXEN
65, 66, 67, 68	I	M1M_RXD[0:3]	I	M1P_TXD[0:3]

Table 22. Extension GMAC2 MII Pins

RTL8367RB Pin No.	Type	Extension Port 2 MII MAC Mode	Type	Extension Port 2 MII PHY Mode
41, 42, 43, 44	O	M2M_TXD[3:0]	O	M2P_RXD[3:0]
45	O	M2M_TXEN	O	M2P_RXDV
46	I	M2M_TXCLK	O	M2P_RXCLK
47	I	M2M_RXCLK	O	M2P_TXCLK
48	I	M2M_RXDV	I	M2P_TXEN
49, 50, 51, 52	I	M2M_RXD[0:3]	I	M2P_TXD[0:3]

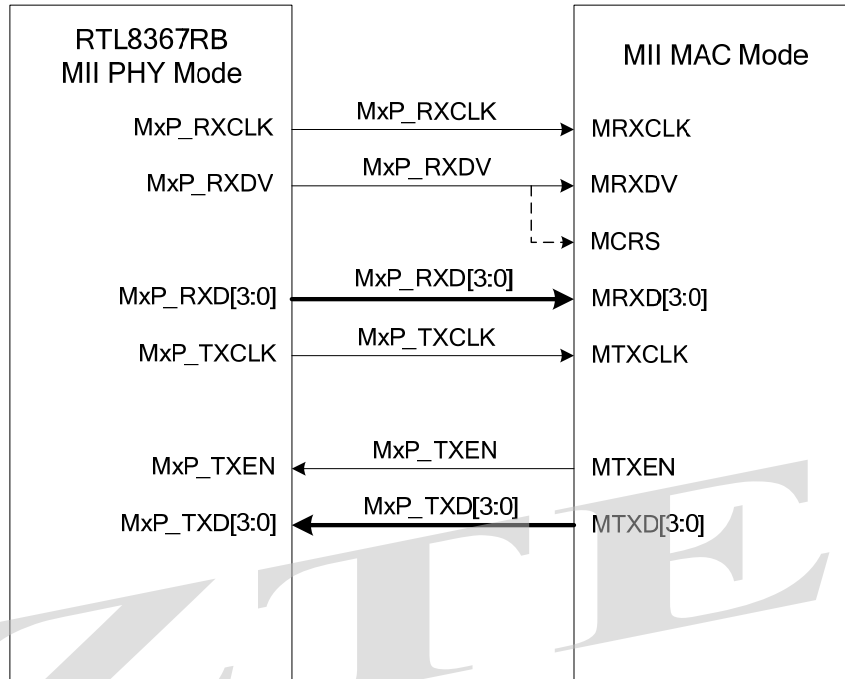


Figure 16. Signal Diagram of MII PHY Mode Interface (100Mbps)

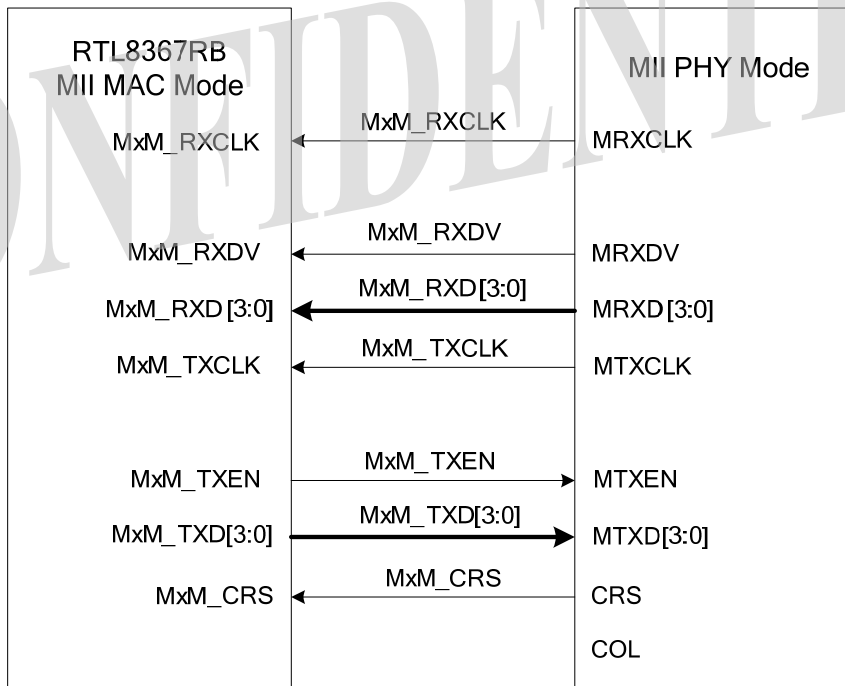


Figure 17. Signal Diagram of MII MAC Mode Interface (100Mbps)

11. Register Descriptions

In this section the following abbreviations are used:

RO: Read Only

LH: Latch High until clear

RW: Read/Write

SC: Self Clearing

LL: Latch Low until clear

11.1. Page 0: PCS Register (PHY 0~4)

Table 23. Page 0: PCS Register (PHY 0~4)

Register	Register Description	Default
0	Control Register	0x1140
1	Status Register	0x7949
2	PHY Identifier 1	0x001C
3	PHY Identifier 2	0xC980
4	Auto-Negotiation Advertisement Register	0x0DE1
5	Auto-Negotiation Link Partner Ability Register	0x0000
6	Auto-Negotiation Expansion Register	0x0004
7	Auto-Negotiation Page Transmit Register	0x2001
8	Auto-Negotiation Link Partner Next Page Register	0x0000
9	1000Base-T Control Register	0x0E00
10	1000Base-T Status Register	0x0000
11~14	Reserved	0x0000
15	Extended Status	0x2000
16~31	ASIC Control Register	-

11.2. Register 0: Control

Table 24. Register 0: Control

Reg.bit	Name	Mode	Description	Default
0.15	Reset	RW/SC	1: PHY reset 0: Normal operation This bit is self-clearing.	0
0.14	Loopback (Digital loopback)	RW	1: Enable loopback. This will loopback TXD to RXD and ignore all activity on the cable media 0: Normal operation This function is usable only when this PHY is operated in 10Base-T full duplex, 100Base-TX full duplex, or 1000Base-T full duplex.	0
0.13	Speed Selection[0]	RW	[0.6, 0.13] Speed Selection[1:0] 11: Reserved 10: 1000Mbps 01: 100Mbps 00: 10Mbps This bit can be set through SMI (Read/Write).	0
0.12	Auto Negotiation Enable	RW	1: Enable auto-negotiation process 0: Disable auto-negotiation process This bit can be set through SMI (Read/Write).	1
0.11	Power Down	RW	1: Power down. All functions will be disabled except SMI function 0: Normal operation	0
0.10	Isolate	RW	1: Electrically isolates the PHY from GMII. The PHY is still able to respond to MDC/MDIO 0: Normal operation	0
0.9	Restart Auto Negotiation	RW/SC	1: Restart Auto-Negotiation process 0: Normal operation	0
0.8	Duplex Mode	RW	1: Full duplex operation 0: Half duplex operation This bit can be set through SMI (Read/Write).	1
0.7	Collision Test	RO	1: Collision test enabled 0: Normal operation When set, this bit will cause the COL signal to be asserted in response to the assertion of TXEN within 512-bit times. The COL signal will be de-asserted within 4-bit times in response to the de-assertion of TXEN.	0
0.6	Speed Selection[1]	RW	See bit 13	1
0.[5:0]	Reserved	RO	Reserved	000000

11.3. Register 1: Status

Table 25. Register 1: Status

Reg.bit	Name	Mode	Description	Default
1.15	100Base-T4	RO	0: No 100Base-T4 capability The RTL8367RB does not support 100Base-T4 mode and this bit should always be 0.	0
1.14	100Base-TX-FD	RO	1: 100Base-TX full duplex capable 0: Not 100Base-TX full duplex capable	1
1.13	100Base-TX-HD	RO	1: 100Base-TX half duplex capable 0: Not 100Base-TX half duplex capable	1
1.12	10Base-T-FD	RO	1: 10Base-T full duplex capable 0: Not 10Base-TX full duplex capable	1
1.11	10Base-T-HD	RO	1: 10Base-T half duplex capable 0: Not 10Base-TX half duplex capable	1
1.10	100Base-T2-FD	RO	0: Not 100Base-T2 full duplex capable The RTL8367RB does not support 100Base-T2 mode and this bit should always be 0.	0
1.9	100Base-T2-HD	RO	0: Not 100Base-T2 half duplex capable The RTL8367RB does not support 100Base-T2 mode and this bit should always be 0.	0
1.8	Extended Status	RO	1: Extended status information in Register 15 The RTL8367RB always supports Extended Status Register.	1
1.7	Reserved	RO	Reserved	0
1.6	MF Preamble Suppression	RO	The RTL8367RB will accept management frames with preamble suppressed.	1
1.5	Auto-negotiate Complete	RO	1: Auto-negotiation process completed 0: Auto-negotiation process not completed	0
1.4	Remote Fault	RO/LH	1: Remote fault condition detected 0: No remote fault detected This bit will remain set until it is cleared by reading register 1 via the management interface.	0
1.3	Auto-Negotiation Ability	RO	1: Auto-negotiation capable (permanently =1)	1
1.2	Link Status	RO/LL	1: Link is established. If the link fails, this bit will be 0 until after reading this bit again 0: Link has failed since previous read If the link fails, this bit will be set to 0 until bit is read.	0
1.1	Jabber Detect	RO/LH	1: Jabber detected 0: No Jabber detected Jabber is supported only in 10Base-T mode.	0
1.0	Extended Capability	RO	1: Extended register capable (permanently =1)	1

11.4. Register 2: PHY Identifier 1

The PHY Identifier Registers #1 and #2 together form a unique identifier for the PHY section of this device. The Identifier consists of a concatenation of the Organizationally Unique Identifier (OUI), the vendor's model number, and the model revision number. A PHY may return a value of zero in each of the 32 bits of the PHY Identifier if desired. The PHY Identifier is intended to support network management.

Table 26. Register 2: PHY Identifier 1

Reg.bit	Name	Mode	Description	Default
2.[15:0]	OUI	RO	Composed of the 3 rd to 18 th bits of the Organizationally Unique Identifier (OUI), respectively.	0x001C

11.5. Register 3: PHY Identifier 2

Table 27. Register 3: PHY Identifier 2

Reg.bit	Name	Mode	Description	Default
3.[15:10]	OUI	RO	Assigned to the 19 th through 24 th bits of the OUI	110010
3.[9:4]	Model Number	RO	Manufacturer's model number	011000
3.[3:0]	Revision Number	RO	Manufacturer's revision number	0000

11.6. Register 4: Auto-Negotiation Advertisement

This register contains the advertisement abilities of this device as they will be transmitted to its Link Partner during Auto-negotiation.

Note: Each time the link ability of the RTL8367RB is reconfigured, the auto-negotiation process should be executed to allow the configuration to take effect.

Table 28. Register 4: Auto-Negotiation Advertisement

Reg.bit	Name	Mode	Description	Default
4.15	Next Page	RO	1: Additional next pages exchange desired 0: No additional next pages exchange desired	0
4.14	Acknowledge	RO	Permanently=0	0
4.13	Remote Fault	RW	1: Advertises that the RTL8367RB has detected a remote fault 0: No remote fault detected	0
4.12	Reserved	RO	Reserved	0
4.11	Reserved	RW	Reserved	0
4.10	Pause	RW	1: Advertises that the RTL8367RB has flow control capability 0: No flow control capability	1
4.9	100Base-T4	RO	1: 100Base-T4 capable 0: Not 100Base-T4 capable (Permanently =0)	0
4.8	100Base-TX-FD	RW	1: 100Base-TX full duplex capable 0: Not 100Base-TX full duplex capable	1
4.7	100Base-TX	RW	1: 100Base-TX half duplex capable 0: Not 100Base-TX half duplex capable	1

Reg.bit	Name	Mode	Description	Default
4.6	10Base-T-FD	RW	1: 10Base-TX full duplex capable 0: Not 10Base-TX full duplex capable	1
4.5	10Base-T	RW	1: 10Base-TX half duplex capable 0: Not 10Base-TX half duplex capable	1
4.[4:0]	Selector Field	RO	[00001]=IEEE 802.3	00001

Note 1: The setting of Register 4 has no effect unless auto-negotiation is restarted or the link goes down.

Note 2: If 1000Base-T is advertised, then the required next pages are automatically transmitted.

11.7. Register 5: Auto-Negotiation Link Partner Ability

This register contains the advertised abilities of the Link Partner as received during Auto-negotiation. The content changes after a successful Auto-negotiation.

Table 29. Register 5: Auto-Negotiation Link Partner Ability

Reg.bit	Name	Mode	Description	Default
5.15	Next Page	RO	1: Link partner desires Next Page transfer 0: Link partner does not desire Next Page transfer	0
5.14	Acknowledge	RO	1: Link Partner acknowledges reception of Fast Link Pulse (FLP) words 0: Not acknowledged by Link Partner	0
5.13	Remote Fault	RO	1: Remote Fault indicated by Link Partner 0: No remote fault indicated by Link Partner	0
5.12	Reserved	RO	Reserved	0
5.11	Asymmetric Pause	RO	1: Asymmetric Flow control supported by Link Partner 0: No Asymmetric flow control supported by Link Partner. When auto-negotiation is enabled, this bit reflects Link Partner ability	0
5.10	Pause	RO	1: Flow control supported by Link Partner. 0: No flow control supported by Link Partner. When auto-negotiation is enabled, this bit reflects Link Partner ability	0
5.9	100Base-T4	RO	1: 100Base-T4 supported by Link Partner 0: 100Base-T4 not supported by Link Partner	0
5.8	100Base-TX-FD	RO	1: 100Base-TX full duplex supported by Link Partner 0: 100Base-TX full duplex not supported by Link Partner	0
5.7	100Base-TX	RO	1: 100Base-TX half duplex supported by Link Partner 0: 100Base-TX half duplex not supported by Link Partner	0
5.6	10Base-T-FD	RO	1: 10Base-TX full duplex supported by Link Partner 0: 10Base-TX full duplex not supported by Link Partner	0
5.5	10Base-T	RO	1: 10Base-TX half duplex supported by Link Partner 0: 10Base-TX half duplex not supported by Link Partner	0
5.[4:0]	Selector Field	RO	[00001]=IEEE 802.3	00000

11.8. Register 6: Auto-Negotiation Expansion

Table 30. Register 6: Auto-Negotiation Expansion

Reg.bit	Name	Mode	Description	Default
6.[15:5]	Reserved	RO	Ignore on read	0
6.4	Parallel Detection Fault	RO /LH	1: A fault has been detected via the Parallel Detection function 0: No fault has been detected via the Parallel Detection function	0
6.3	Link Partner Next Page Ability	RO	1: Link Partner is Next Page able 0: Link Partner is not Next Page able	0
6.2	Local Next Page Ability	RO	Not supported. Permanently =0	1
6.1	Page Received	RO /LH	1: A New Page has been received 0: A New Page has not been received	0
6.0	Link Partner Auto-Negotiation Ability	RO	If Auto-Negotiation is enabled, this bit means: 1: Link Partner is Auto-Negotiation able 0: Link Partner is not Auto-Negotiation able	0

11.9. Register 7: Auto-Negotiation Page Transmit Register

Table 31. Register 7: Auto-Negotiation Page Transmit Register

Reg.bit	Name	Mode	Description	Default
7.15	Next Page	RW	1: Link partner desires Next Page transfer 0: Link partner does not desire Next Page transfer	0
7.14	Reserved	RO	1: A fault has been detected via the Parallel Detection function 0: No fault has been detected via the Parallel Detection function	0
7.13	Message Page	RW	1: Message page 0: No Message page ability	1
7.12	Acknowledge 2	RW	1: Local device has the ability to comply with the message received 0: Local device has no ability to comply with the message received	0
7.11	Toggle	RO	Toggle bit	0
7.[10:0]	Message/ Unformatted Field	RW	Content of message/unformatted page	1

11.10. Register 8: Auto-Negotiation Link Partner Next Page Register

Table 32. Register 8: Auto-Negotiation Link Partner Next Page Register

Reg.bit	Name	Mode	Description	Default
8.15	Next Page	RO	Received Link Code Word Bit 15	0
8.14	Acknowledge	RO	Received Link Code Word Bit 14	0
8.13	Message Page	RO	Received Link Code Word Bit 13	0
8.12	Acknowledge 2	RO	Received Link Code Word Bit 12	0
8.11	Toggle	RO	Received Link Code Word Bit 11	0
8.[10:0]	Message/ Unformatted Field	RO	Received Link Code Word Bit 10:0	0

11.11. Register 9: 1000Base-T Control Register

Table 33. Register 9: 1000Base-T Control Register

Reg.bit	Name	Mode	Description	Default
9.[15:13]	Test Mode	RW	Test Mode Select. 000: Normal mode 001: Test mode 1 – Transmit waveform test 010: Test mode 2 – Transmit jitter test in MASTER mode 011: Test mode 3 – Transmit jitter test in SLAVE mode 100: Test mode 4 – Transmitter distortion test 101, 110, 111: Reserved	000
9.12	MASTER/SLAVE Manual Configuration Enable	RW	1: Enable MASTER/SLAVE manual configuration 0: Disable MASTER/SLAVE manual configuration	0
9.11	MASTER/SLAVE Configuration Value	RW	1: Configure PHY as MASTER during MASTER/SLAVE negotiation, only when bit 9.12 is set to logical one 0: Configure PHY as SLAVE during MASTER/SLAVE negotiation, only when bit 9.12 is set to logical one	1
9.10	Port Type	RW	1: Multi-port device 0: Single-port device	1
9.9	1000Base-T Full Duplex	RW	1: Advertise PHY is 1000Base-T full duplex capable 0: Advertise PHY is not 1000Base-T full duplex capable	1
9.8	1000Base-T Half Duplex	RW	1: Advertise PHY is 1000Base-T half duplex capable 0: Advertise PHY is not 1000Base-T half duplex capable	0
9.[7:0]	Reserved	RW	Reserved	0

11.12. Register 10: 1000Base-T Status Register

Table 34. Register 10: 1000Base-T Status Register

Reg.bit	Name	Mode	Description	Default
10.15	MASTER/SLAVE Configuration Fault	RO/LH/SC	1: MASTER/SLAVE configuration fault detected 0: No MASTER/SLAVE configuration fault detected	0
10.14	MASTER/SLAVE Configuration Resolution	RO	1: Local PHY configuration resolved to MASTER 0: Local PHY configuration resolved to SLAVE	0
10.13	Local Receiver Status	RO	1: Local receiver OK 0: Local receiver not OK	0
10.12	Remote Receiver Status	RO	1: Remote receiver OK 0: Remote receiver not OK	0
10.11	Link Partner 1000Base-T Full Duplex	RO	1: Link partner is capable of 1000Base-T full duplex 0: Link partner is not capable of 1000Base-T full duplex	0
10.10	1000Base-T Half Duplex	RO	1: Link partner is capable of 1000Base-T half duplex 0: Link partner is not capable of 1000Base-T half duplex	0
10.[9:8]	Reserved	RO	Reserved	0
10.[7:0]	Idle Error Count	RO/SC	Idle Error Counter. The counter stops automatically when it reaches 0xFF	0

11.13. Register 15: Extended Status

Table 35. Register 15: Extended Status

Reg.bit	Name	Mode	Description	Default
15.15	1000Base-X Full Duplex	RO	1: 1000Base-X full duplex capable 0: Not 1000Base-X full duplex capable	0
15.14	1000Base-X Half Duplex	RO	1: 1000Base-X half duplex capable 0: Not 1000Base-X half duplex capable	0
15.13	1000Base-T Full Duplex	RO	1: 1000Base-T full duplex capable 0: Not 1000Base-T full duplex capable	1
15.12	1000Base-T Half Duplex	RO	1: 1000Base-T half duplex capable 0: Not 1000Base-T half duplex capable	0
15.[11:0]	Reserved	RO	Reserved	0

12. Electrical Characteristics

12.1. Absolute Maximum Ratings

WARNING: Absolute maximum ratings are limits beyond which permanent damage may be caused to the device, or device reliability will be affected. All voltages are specified reference to GND unless otherwise specified.

Table 36. Absolute Maximum Ratings

Parameter	Min	Max	Units
Junction Temperature (Tj)	-	+125	°C
Storage Temperature	-45	+125	°C
DVDDIO, DVDDIO_1, DVDDIO_2, AVDDH, Supply Referenced to GND and AGND	GND-0.3	+3.63	V
DVDDL, AVDDL, PLLVDDL0, PLLVDDL1 Supply Referenced to GND, AGND, and PLLGND0.	GND-0.3	+1.1	V
Digital Input Voltage	GND-0.3	VDDIO+0.3	V

12.2. Recommended Operating Range

Table 37. Recommended Operating Range

Parameter	Min	Typical	Max	Units
Ambient Operating Temperature (Ta)	0	-	70	°C
DVDDIO, AVDDH Supply Voltage Range	3.135	3.3	3.465	V
DVDDIO_1, DVDDIO_2 Supply Voltage Range	3.3V	3.3	3.465	V
	2.5V	2.5	2.626	V
DVDDL, AVDDL, PLLVDDL0, PLLVDDL1 Supply Voltage Range	0.95	1.0	1.05	V

12.3. Thermal Characteristics

12.3.1. Assembly Description

Table 38. Assembly Description

Package	Type	E-Pad LQFP-128
	Dimension (L x W)	14 x 14mm
	Thickness	1.4mm
PCB	PCB Dimension (L x W)	TBD
	PCB Thickness	TBD
	Number of Cu Layer-PCB	2-Layer: - TBD 4-Layer: - TBD

12.3.2. Material Properties

Table 39. Material Properties

	Item	Material	Thermal Conductivity K (W/m-k)
Package	Die	Si	147
	Silver Paste	1033BF	2.5
	Lead Frame	CDA7025	168
	Mold Compound	7372	0.9
PCB	Cu		400
	FR4		0.2

12.3.3. Simulation Conditions

Table 40. Simulation Conditions

Input Power	1.7W
Test Board (PCB)	2L (2S)/4L (2S2P)
Control Condition	Air Flow = 0, 1, 2 m/s

12.3.4. Thermal Performance of E-Pad LQFP-128 on PCB Under Still Air Convection

Table 41. Thermal Performance of E-Pad LQFP-128 on PCB Under Still Air Convection

	θ_{JA}	θ_{JB}	θ_{JC}	Ψ_{JB}
4L PCB	TBD	TBD	TBD	TBD
2L PCB	TBD	TBD	TBD	TBD

	θ_{JA}	θ_{JB}	θ_{JC}	Ψ_{JB}
--	---------------	---------------	---------------	-------------

Note:

θ_{JA} : Junction to ambient thermal resistance

θ_{JB} : Junction to board thermal resistance

θ_{JC} : Junction to case thermal resistance

Ψ_{JB} : Junction to bottom surface center of PCB thermal characterization

12.3.5. Thermal Performance of E-Pad LQFP-128 on PCB under Forced Convection

Table 42. Thermal Performance of E-Pad LQFP-128 on PCB Under Forced Convection

	Air Flow (m/s)	0	1	2
4L PCB	θ_{JA}	TBD	TBD	TBD
	Ψ_{JB}	TBD	TBD	TBD
2L PCB	θ_{JA}	TBD	TBD	TBD
	Ψ_{JB}	TBD	TBD	TBD

12.4. DC Characteristics

Table 43. DC Characteristics

Parameter	SYM	Min	Typical	Max	Units
Power Supply Current for RGMII1 DVDDIO_1 (2.5V) (For General Purpose Interface)	I_{DVDDIO_1}	-	-	40	mA
Power Supply Current for RGMII1 DVDDIO_2 (2.5V) (For General Purpose Interface)	I_{DVDDIO_2}	-	-	40	mA
1000M Active (5 UTP Ports Link Up, 1 System Power LED, 5 Activity LEDs, 5 Speed LEDs)					
Power Supply Current for VDDH	I_{DVDDIO}, I_{AVDDH}	-	-	320	mA
Power Supply Current for VDDL	$I_{DVDDL}, I_{AVDDL}, I_{PLLVDDL}$	-	-	900	mA
Total Power Consumption for All Ports	PS	-	-	1956	mW
VDDIO=3.3V					
TTL Input High Voltage	V_{ih}	1.9	-	-	V
TTL Input Low Voltage	V_{il}	-	-	0.7	V
Output High Voltage	V_{oh}	2.7	-	-	V
Output Low Voltage	V_{ol}	-	-	0.6	V
VDDIO=2.5V					
TTL Input High Voltage	V_{ih}	1.7	-	-	V
TTL Input Low Voltage	V_{il}	-	-	0.7	V
Output High Voltage	V_{oh}	2.25	-	-	V
Output Low Voltage	V_{ol}	-	-	0.4	V

Note: Both I_{DVDDIO_1} & I_{DVDDIO_2} should be added to the total current consumption when the dual extension ports of the RTL8367RB are used.

12.5. AC Characteristics

12.5.1. EEPROM SMI Host Mode Timing Characteristics

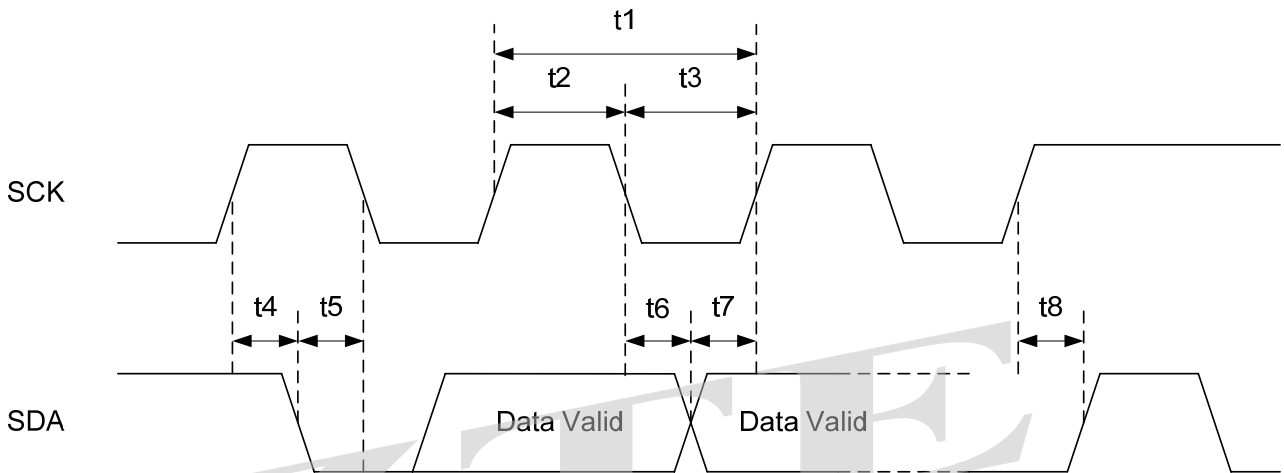


Figure 18. EEPROM SMI Host Mode Timing Characteristics

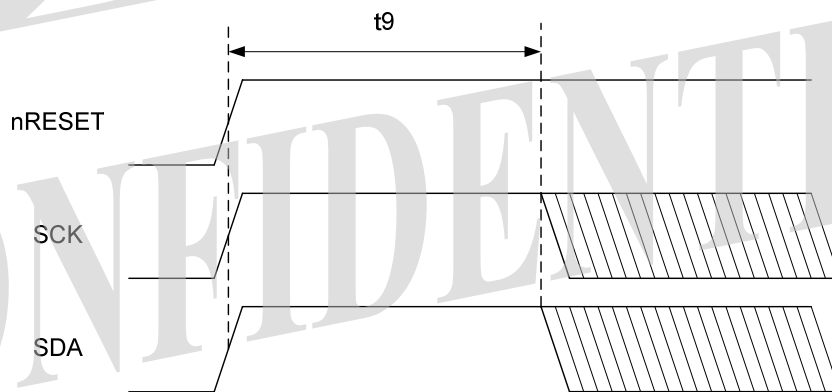


Figure 19. SCK/SDA Power on Timing

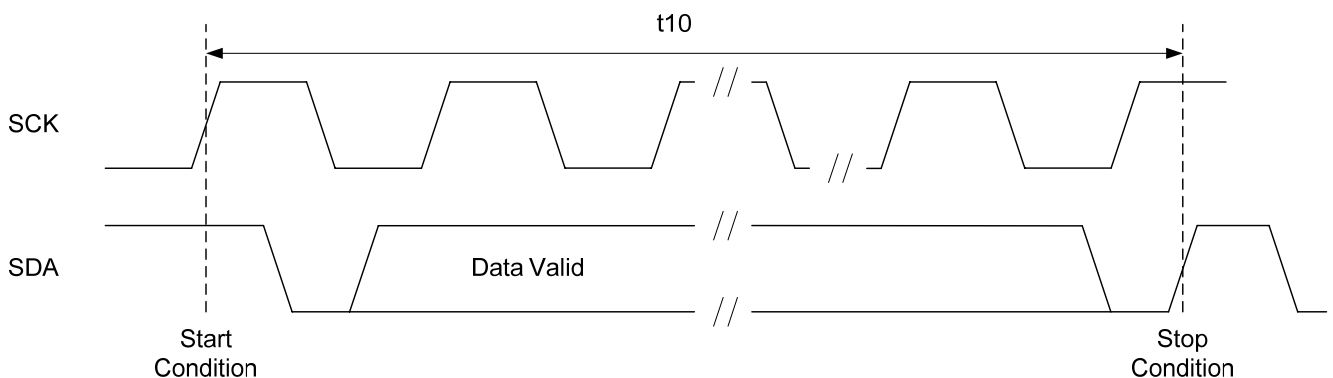
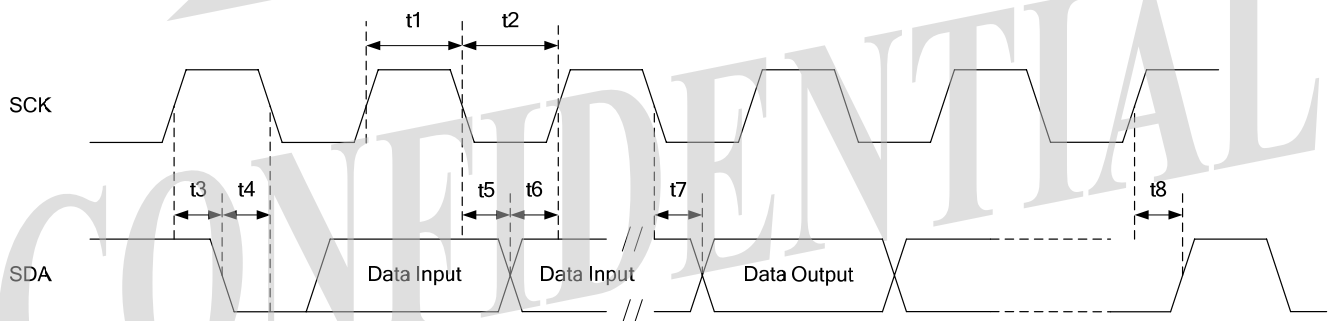


Figure 20. EEPROM Auto-Load Timing

Table 44. EEPROM SMI Host Mode Timing Characteristics

Symbol	Description	Type	Min	Typical	Max	Units
t1	SCK Clock Period	O	TBD	TBD	-	μs
t2	SCK High Time	O	TBD	TBD	-	μs
t3	SCK Low Time	O	TBD	TBD	-	μs
t4	START Condition Setup Time	O	TBD	TBD	-	μs
t5	START Condition Hold Time	O	TBD	TBD	-	μs
t6	Data Hold Time	O	TBD	TBD	-	μs
t7	Data Setup Time	O	TBD	TBD	-	μs
t8	STOP Condition Setup Time	O	TBD	TBD	-	μs
t9	SCK/SDA Active from Reset Ready	O	TBD	TBD	-	ms
t10	8K-bits EEPROM Auto-Load Time	O	TBD	TBD	-	ms
-	SCK Rise Time (10% to 90%)	O	-	TBD	TBD	ns
-	SCK Fall Time (90% to 10%)	O	-	TBD	TBD	ns
-	Duty Cycle	O	TBD	TBD	TBD	%

12.5.2. EEPROM SMI Slave Mode Timing Characteristics


Figure 21. EEPROM SMI Slave Mode Timing Characteristics
Table 45. EEPROM SMI Slave Mode Timing Characteristics

Symbol	Description	Type	Min	Typical	Max	Units
t1	SCK High Time	I	TBD	-	-	μs
t2	SCK Low Time	I	TBD	-	-	μs
t3	START Condition Setup Time	I	TBD	-	-	μs
t4	START Condition Hold Time	I	TBD	-	-	μs
t5	Data Hold Time	I	TBD	-	-	μs
t6	Data Setup Time	I	TBD	-	-	ns
t7	Clock to Data Output Delay	O	-	TBD	-	ns
t8	STOP Condition Setup Time	I	TBD	-	-	μs

12.5.3. MDIO Slave Mode Timing Characteristics

The RTL8367RB supports MDIO slave mode. The Master (CPU) can access the Slave (RTL8367RB) registers via the MDIO interface. The MDIO is a bi-directional signal that can be sourced by the Master or the Slave. In a write command, the master sources the MDIO signal. In a read command, the slave sources the MDIO signal.

- The timing characteristics t_1 , t_2 , and t_3 (Table 46) of the Master (the RTL8367RB link partner CPU) are provided by the Master when the Master sources the MDIO signal (Write command)
- The timing characteristic t_4 (Table 46) of the Slave (RTL8367RB) are provided by the RTL8367RB when the RTL8367RB sources the MDIO signal (Read command)

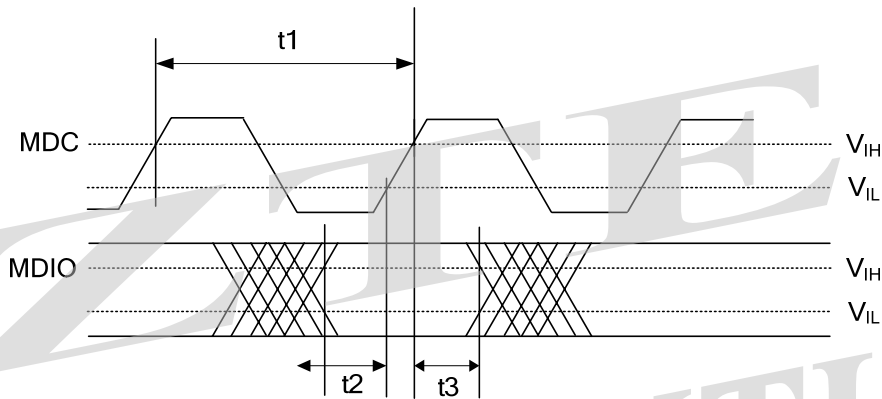


Figure 22. MDIO Source by Master

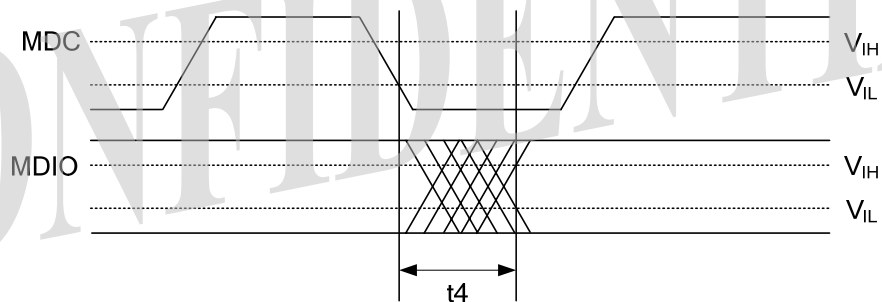


Figure 23. MDIO Source by RTL8367RB (Slave)

Table 46. MDIO Timing Characteristics and Requirement

Parameter	SYM	Description/Condition	Type	Min	Typical	Max	Units
MDC Clock Period	t_1	Clock Period	I	125	-	-	ns
MDIO to MDC Rising Setup Time (Write Data)	t_2	Input Setup Time	I	TBD	-	-	ns
MDIO to MDC Rising Hold Time (Write Data)	t_3	Input Hold Time	I	TBD	-	-	ns
MDC to MDIO Delay Time (Read Data)	t_4	Clock (Falling Edge) to Data Delay Time	O	0	-	TBD	ns

12.5.4. MII MAC Mode Timing

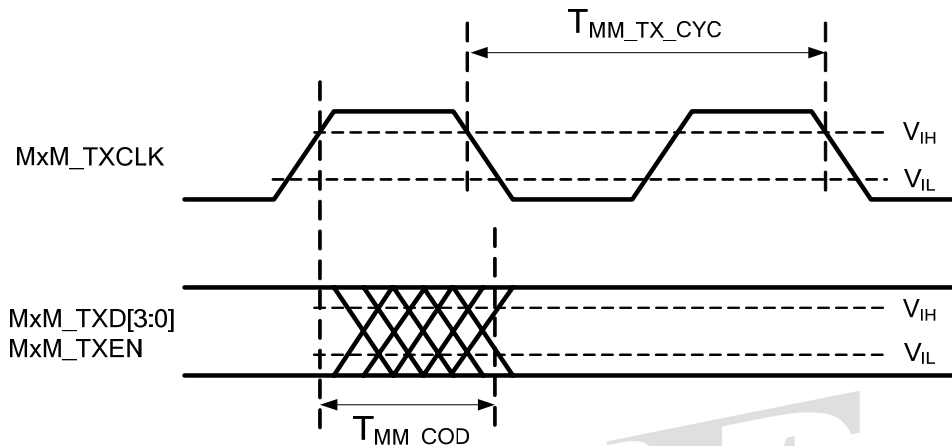


Figure 24. MII MAC Mode Clock to Data Output Delay Timing

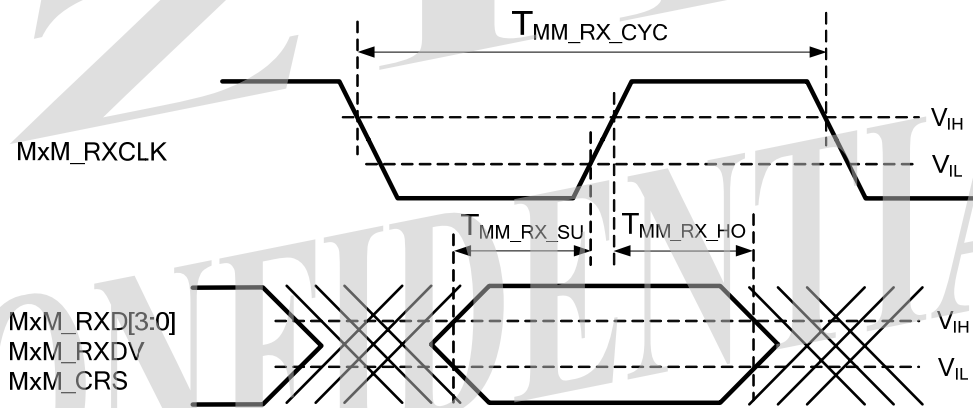


Figure 25. MII MAC Mode Input Timing

Table 47. MII MAC Mode Timing

Parameter	SYM	Description/Condition	Type	Min	Typical	Max	Units
100Base-T MxM_TXCLK and MxM_RXCLK Input Cycle Time	$T_{MM_TX_CYC}$	25MHz Clock Input.	I	-	40	-	ns
	$T_{MM_RX_CYC}$						
10Base-T MxM_TXCLK and MxM_RXCLK Input Cycle Time	$T_{MM_TX_CYC}$	2.5MHz Clock Input.	I	-	400	-	ns
	$T_{MM_RX_CYC}$						
MxM_TXCLK to MxM_TXD[3:0] and MxM_TXEN Output Delay Time	T_{MM_COD}	-	O	-	TBD	-	ns
MxM_RXD[3:0], MxM_RXDV, and MxM_CRD Input Setup Time	$T_{MM_RX_SU}$	-	I	TBD	-	-	ns
MxM_RXD[3:0], MxM_RXDV, and MxM_CRD Input Hold Time	$T_{MM_RX_HO}$	-	I	TBD	-	-	ns

12.5.5. MII PHY Mode Timing

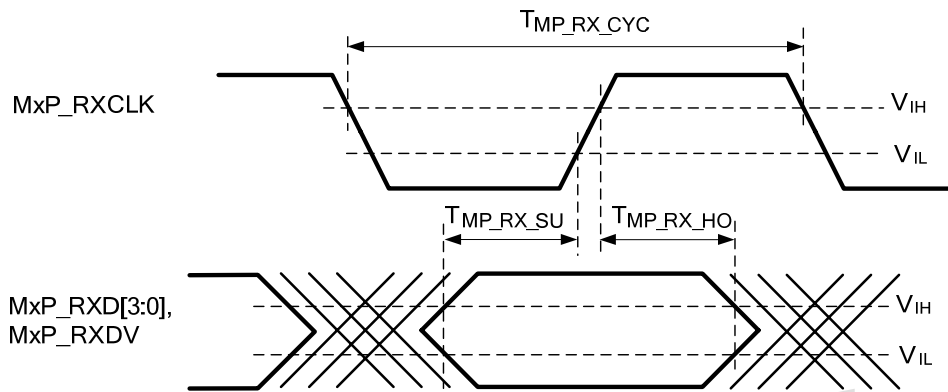


Figure 26. MII PHY Mode Output Timing

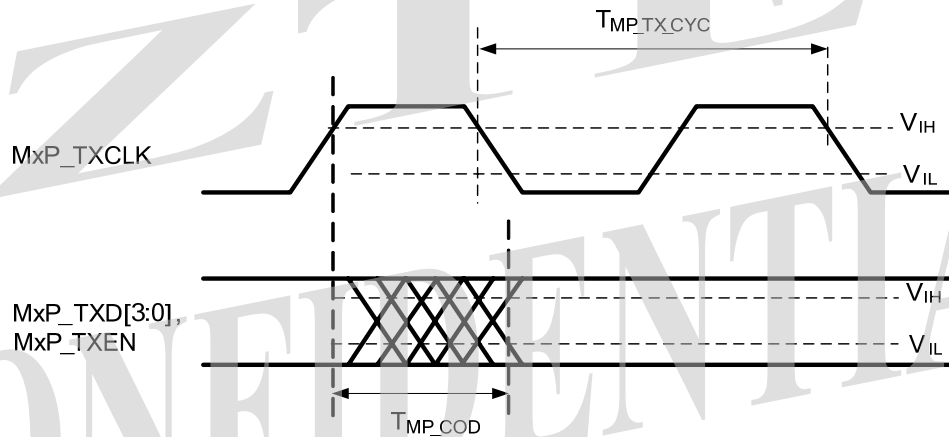


Figure 27. MII PHY Mode Clock Output to Data Input Delay Timing

Table 48. MII PHY Mode Timing Characteristics

Parameter	SYM	Description/Condition	Type	Min	Typical	Max	Units
100M MxP_RXCLK and MxP_TXCLK Output Cycle Time	$T_{MP_RX_CYC}$ $T_{MP_TX_CYC}$	25MHz Clock Output.	O	-	40	-	ns
10M MxP_RXCLK and MxP_TXCLK Output Cycle Time	$T_{MP_RX_CYC}$ $T_{MP_TX_CYC}$	2.5MHz Clock Output.	O	-	400	-	ns
100M MxP_RXD[3:0] and MxP_RXDV to MxP_RXCLK Output Setup Time	$T_{MP_RX_SU}$	-	O	-	TBD	-	ns
100M MxP_RXD[3:0] and MxP_RXDV to MxP_RXCLK Output Hold Time	$T_{MP_RX_HO}$	-	O	-	TBD	-	ns
100M MxP_TXCLK Clock Output to MxP_TXD[3:0] and MxP_TXEN Input Delay Time	T_{MP_COD}	-	I	0	-	TBD	ns

12.5.6. RGMII Timing Characteristics

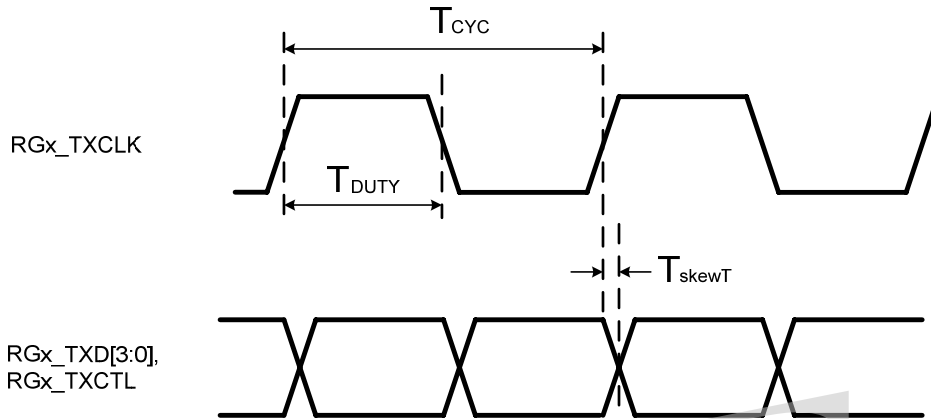


Figure 28. RGMII Output Timing Characteristics (RGx_TXCLK_DELAY=0)

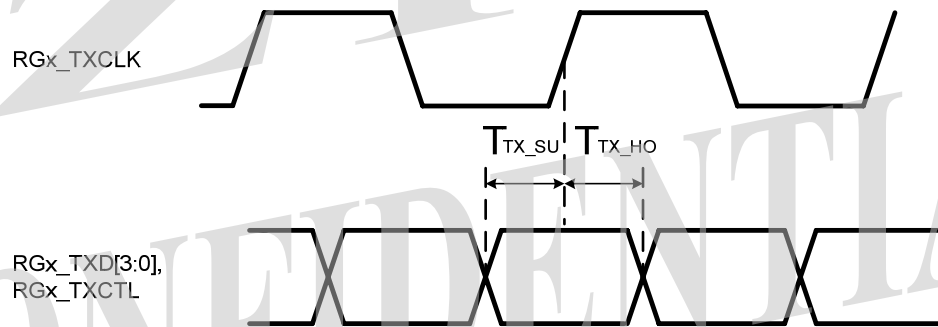


Figure 29. RGMII Output Timing Characteristics (RGx_TXCLK_DELAY=2ns)

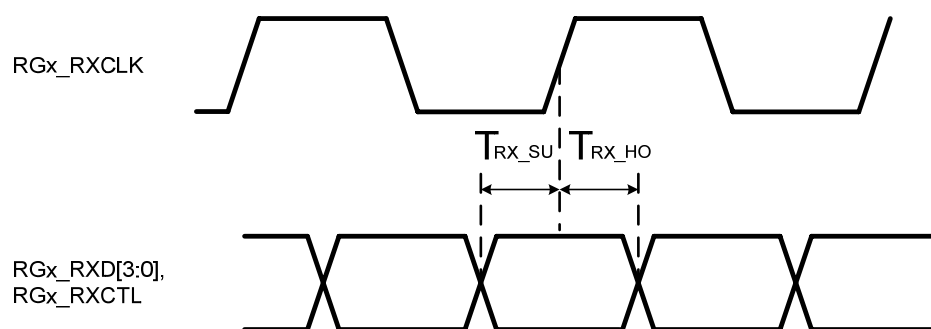
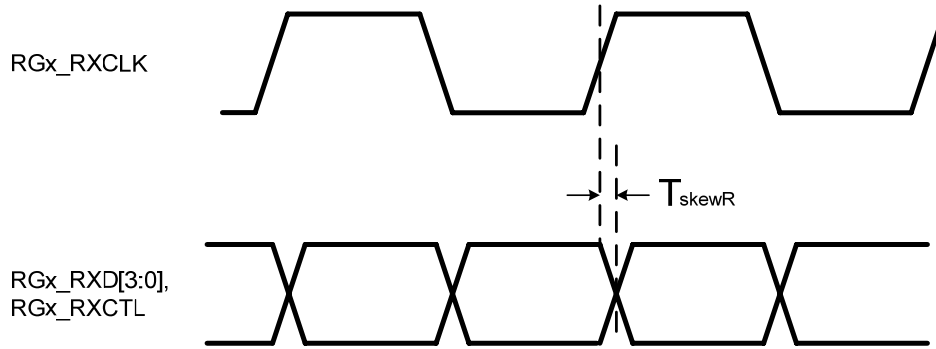


Figure 30. RGMII Input Timing Characteristics (RGx_RXCLK_DELAY=0)


Figure 31. RGMII Input Timing Characteristics (RGx_RXCLK_DELAY=2ns)
Table 49. RGMII Timing Characteristics

Parameter	SYM	Description/Condition	Type	Min	Typical	Max	Units
1000M RGx_TXCLKc Output Cycle Time	T _{TX_CYC}	125MHz Clock Output. Refer to Figure 28, page 66.	O	TBD	8	TBD	ns
100M RGx_TXCLK Output Cycle Time	T _{TX_CYC}	25MHz Clock Output. Refer to Figure 28, page 66.	O	TBD	40	TBD	ns
10M RGx_TXCLK Output Cycle Time	T _{TX_CYC}	2.5MHz Clock Output. Refer to Figure 28, page 66.	O	TBD	400	TBD	ns
RGx_TXD[3:0] and RGx_TXCTL to RGx_TXCLK Output Skew	T _{skewT}	Disable Output Clock Delay. (RGx_TXCLK_DELAY=0). Refer to Figure 28, page 66.	O	TBD	TBD	TBD	ps
RGx_TXD[3:0] and RGx_TXCTL to RGx_TXCLK Output Setup Time	T _{TX_SU}	Enable Output Clock Delay. (RGx_TXCLK_DELAY=1). Refer to Figure 29, page 66.	O	TBD	TBD	-	ns
RGx_TXD[3:0] and RGx_TXCTL to RGx_TXCLK Output Hold Time	T _{TX_HO}	Enable Output Clock Delay. (RGx_TXCLK_DELAY=1). Refer to Figure 29, page 66.	O	TBD	TBD	-	ns
RGx_RXD[3:0] and RGx_RXCTL to RGx_RXCLK Input Setup Time	T _{RX_SU}	Disable Input Clock Delay. (RGx_RXCLK_DELAY=0). Refer to Figure 30, page 66.	I	TBD	-	-	ns
RGx_RXD[3:0] and RGx_RXCTL to RGx_RXCLK Input Hold Time	T _{RX_HO}	Disable Input Clock Delay. (RGx_RXCLK_DELAY=0). Refer to Figure 30, page 66.	I	TBD	-	-	ns
RGx_RXD[3:0] and RGx_RXCTL to RGx_RXCLK Input Skew	T _{skewR}	Enable Input Clock Delay. (RGx_RXCLK_DELAY=1). Refer to Figure 31, page 67.	I	TBD	-	TBD	ps

12.6. Power and Reset Characteristics

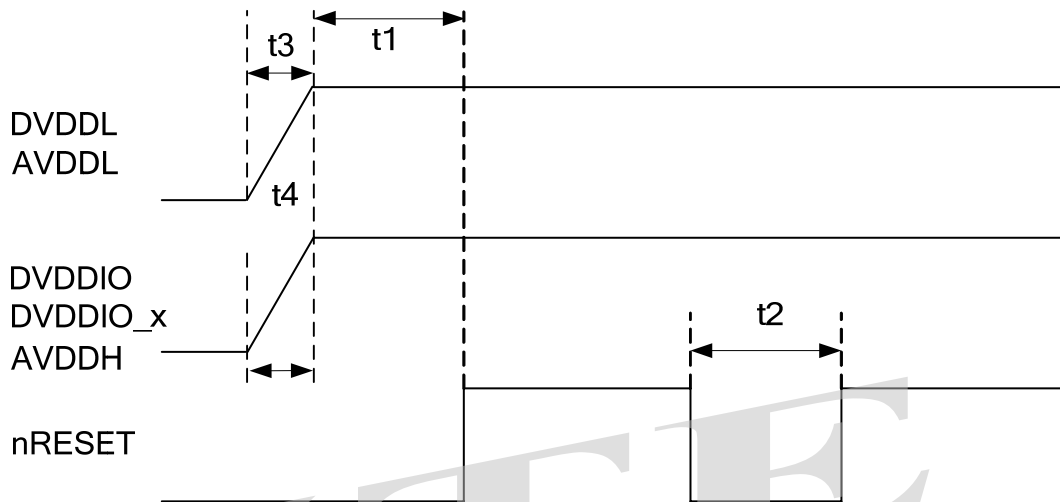


Figure 32. Power and Reset Characteristics

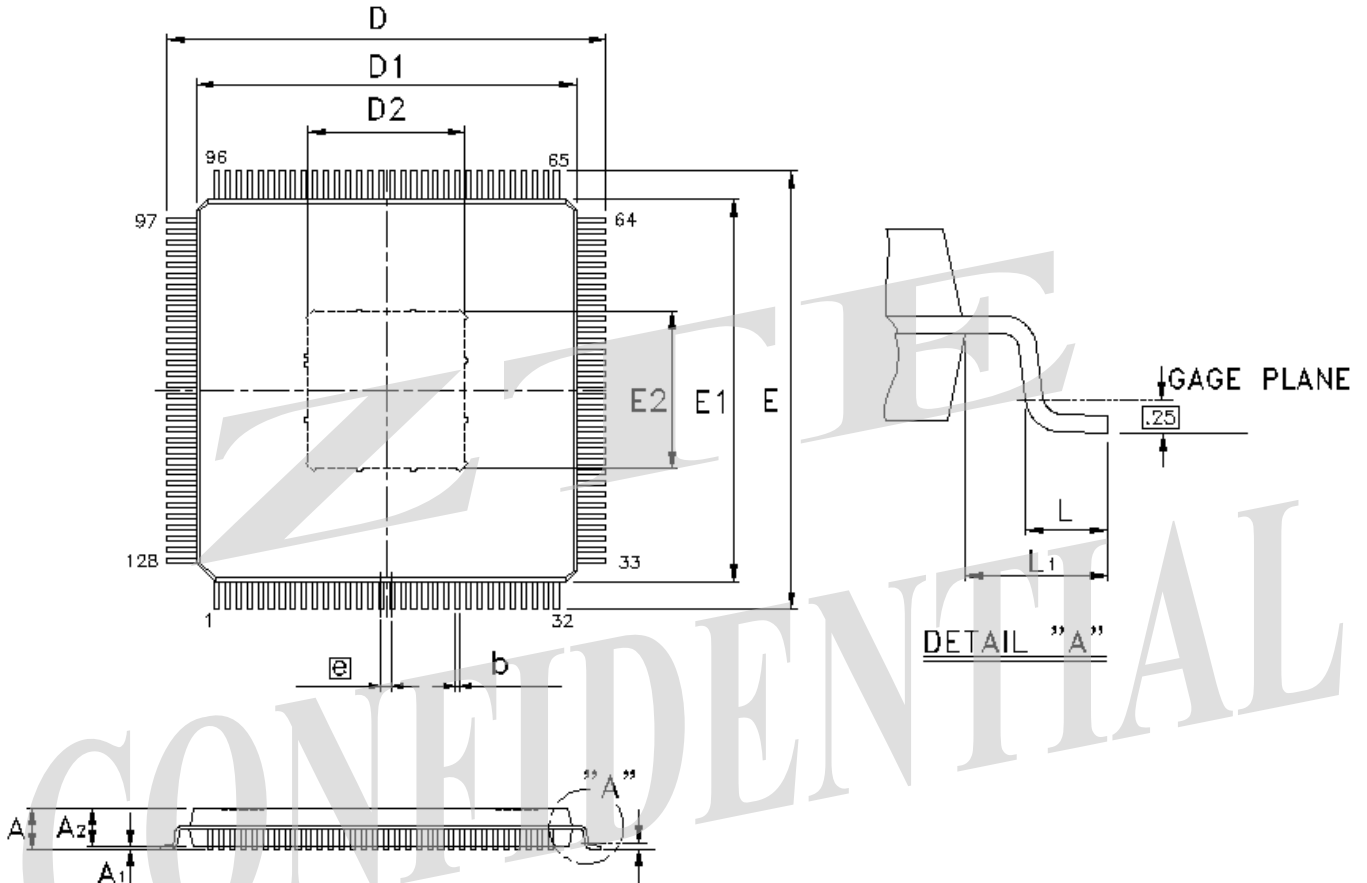
Table 50. Power and Reset Characteristics

Parameter	SYM	Description/Condition	Type	Min	Typical	Max	Units
Reset Delay Time	t1	The duration from 'all power steady' to the reset signal released to high	I	10	-	-	ms
Reset Low Time	t2	The duration of reset signal remaining low time before issuing a reset to RTL8367RB	I	10	-	-	ms
VDDL Power Rise Settling Time	t3	DVDDL and AVDDL power rise settling time	I	1	-	-	ms
VDDH Power Rise Settling Time	t4	DVDDIO, DVDDIO_x, and AVDDH power rise settling time	I	1	-	-	ms

13. Mechanical Dimensions

13.1. RTL8367RB: 14x14 LQFP128-Pin E-PAD Package

Thermal Enhance Low Profile Plastic Quad Flat Package 128 Leads 14x14mm² Outline



Symbol	Dimension in mm			Dimension in inch		
	Min	Nom	Max	Min	Nom	Max
A	—	—	1.60	—	—	0.063
A ₁	0.05	—	0.15	0.002	—	0.006
A ₂	1.35	1.40	1.45	0.053	0.055	0.057
b	0.13	0.18	0.23	0.005	0.007	0.09
D/E	16.00BSC			0.630BSC		
D ₁ /E ₁	14.00BSC			0.551BSC		
D ₂ /E ₂	5.00	5.50	6.00	0.197	0.217	0.237
e	0.40BSC			0.016BSC		
L	0.45	0.60	0.75	0.018	0.024	0.030
L1	1.00 REF			0.039 REF		

Note 1: CONTROLLING DIMENSION: MILLIMETER (mm).

Note 2: REFERENCE DOCUMENT: JEDEC MS-026.

14. Ordering Information

Table 51. Ordering Information

Part Number	Package	Status
RTL8367RB-CG	LQFP 128-Pin E-PAD 'Green' Package	-

Note 1: RTL8367RB -CG is for 5+2-Port Gigabit Router applications.

Note 2: See page 9 (RTL8367RB -CG) for package identification.

ZTE
CONFIDENTIAL

Realtek Semiconductor Corp.

Headquarters

No. 2, Innovation Road II, Hsinchu Science Park,

Hsinchu 300, Taiwan, R.O.C.

Tel: 886-3-5780211 Fax: 886-3-5776047

www.realtek.com