

Ind. a - Revision : 09-2004

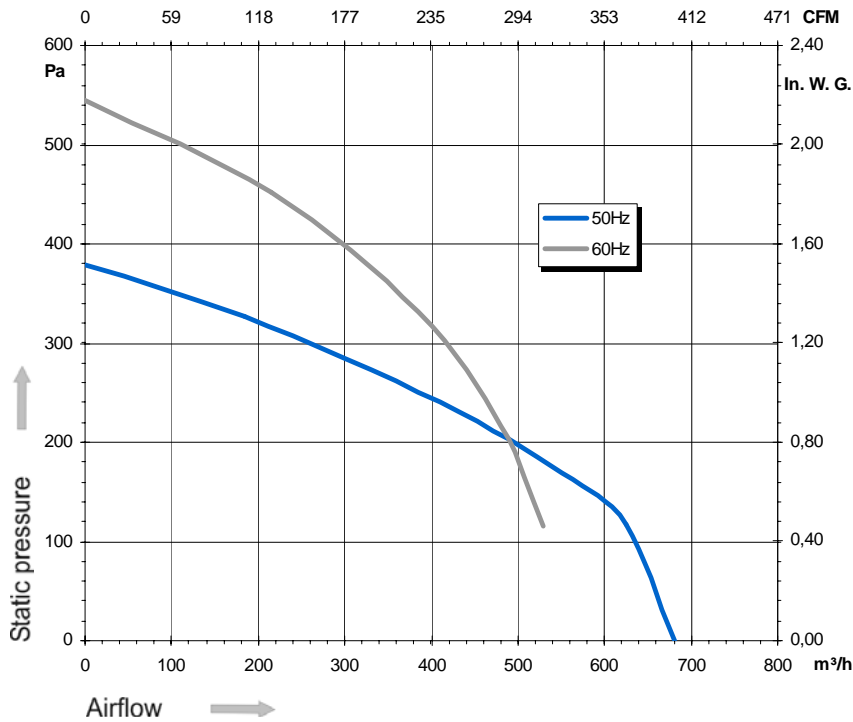
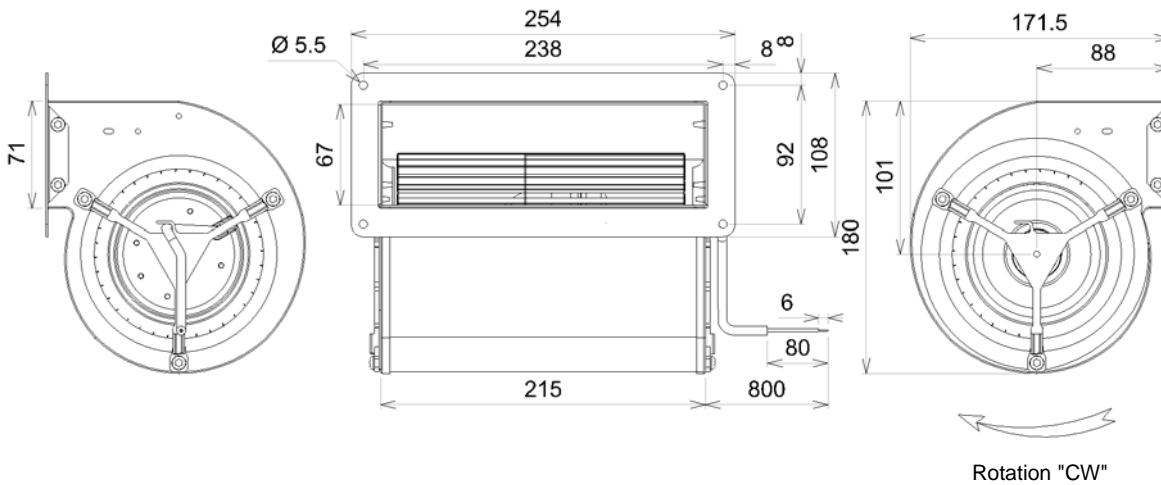
2GDS25 133x190R

P/N Z18-17

Substitute for N05-39

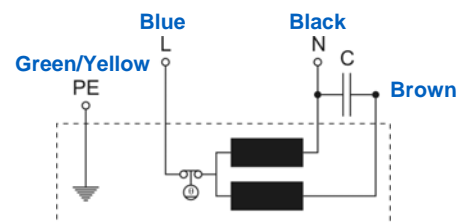


Voltage	Frequency	Input power	Current	Capacitor	Airflow	Speed rotation	Noise level	Rotation direction	Operating temperature
V	Hz	Wa	A	µF	m³/h	RPM	dBA	↻	Min / Max
230	50	207	1,10	4,0	680	1 365	49	R	-20°C / +55°C
230	60	211	0,92	4,0	530	1 810	53	R	-20°C / +55°C



- Ball bearing
- Class F, thermally protected
- IP44 protection
- G2.5 balancing
- Scroll housing : black paint
- Galvanized steel impeller

Capacitor for 50Hz	Capacitor for 60Hz	Zinc Coated
19019-0	19019-0	21236-a



Non contractual document. All specifications are subject to change without prior notice. Picture for information only.