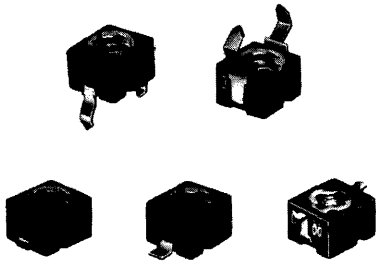


CHIP TRIMMING CAPACITORS

TZB04 Series

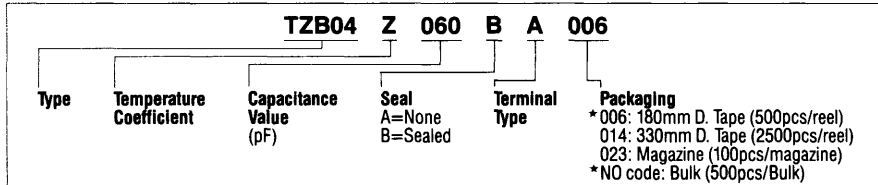


This washable chip trimmer capacitor has primarily been developed for consumer products such as small radios, pagers, radio communication equipment and audio equipment. Protected by a thermoset resin case, it provides superior resistance to heat.

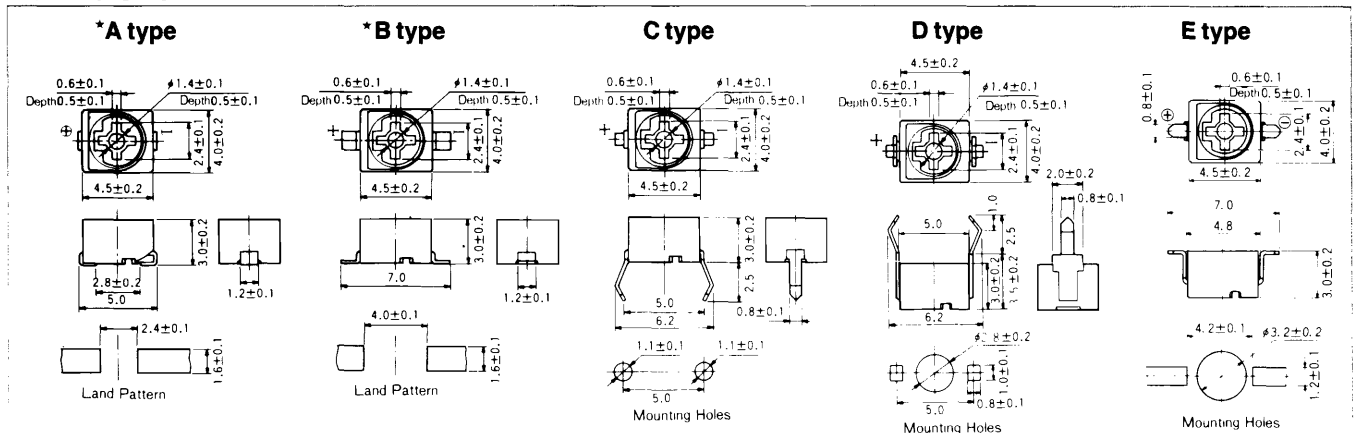
FEATURES

- Miniature rectangular configuration with dimensions of just 4.0(W) × 4.5(L) × 3.0(H) (mm)
- Ideal for auto-placement
- Can be immersed in flux and solder bath (260°C, 5 sec.)
- Cleaning is possible with organic solvents
- Solderable by solder paste
- Models for conventional insertion are available
- Available on tape and reel for auto-placement
- Can be reflow soldered

PART NUMBERING SYSTEM



DIMENSIONS: mm



Note 1. Terminal type A, B and E type are available for tape packaging.
 Note 2. Terminal type A, B, C and E type are available for magazine packaging.

Tolerance: ±0.5

Part Number	Capacitance (pF)		Temp. Coefficient (ppm/°C)	Q min. (1MHz, C max.)	Working Voltage DC
	Min.	Max.			
SINGLE CERAMIC PLATE TYPE					
* TZB04Z030□□	1.4	3.0	NPO ±200	300	100
* TZB04Z060□□	2.0	6.0	NPO ±200	500	100
* TZB04N100□□	3.0	10.0	N150 ±300	500	100
* TZB04R200□□	4.5	20.0	N750 ±300	500	100
* TZB04P300□□	6.5	30.0	N1200 ±500	300	100
* TZB04P400□□	8.5	40.0	N1200 ±500	300	100
MONOLITHIC CERAMIC PLATE TYPE					
* TZB04Z250□□	4.0	25.0	NPO ±300	300	50
* TZB04R500□□	7.0	50.0	N750 ±300	300	50

● Rated Voltage: 50VDC

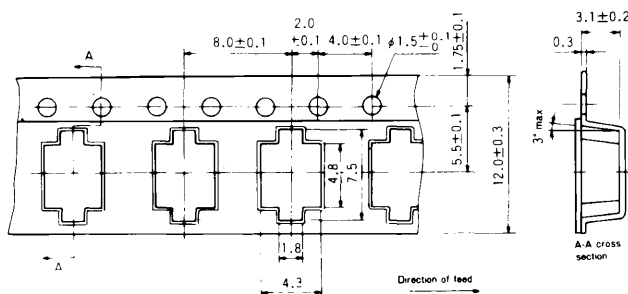
● Withstand Voltage: 110VDC

● Insulation Resistance: 10⁴MΩ min.

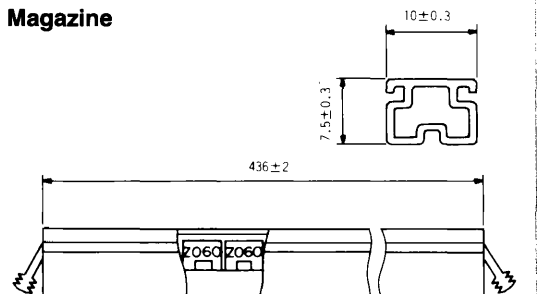
Torque: 15 to 100g-cm

PACKAGING

Tape



Magazine



* Available as standard through authorized Murata Erie Distributors.