

# Am29F010

1 Megabit (128 K x 8-bit)

CMOS 5.0 Volt-only, Uniform Sector Flash Memory

---

## DISTINCTIVE CHARACTERISTICS

### ■ Single power supply operation

- 5.0 V  $\pm$  10% for read, erase, and program operations
- Simplifies system-level power requirements

### ■ High performance

- 45 ns maximum access time

### ■ Low power consumption

- 30 mA max active read current
- 50 mA max program/erase current
- <25  $\mu$ A typical standby current

### ■ Flexible sector architecture

- Eight uniform sectors
- Any combination of sectors can be erased
- Supports full chip erase

### ■ Sector protection

- Hardware-based feature that disables/re-enables program and erase operations in any combination of sectors
- Sector protection/unprotection can be implemented using standard PROM programming equipment

### ■ Embedded Algorithms

- Embedded Erase algorithm automatically pre-programs and erases the chip or any combination of designated sector
- Embedded Program algorithm automatically programs and verifies data at specified address

### ■ Minimum 100,000 program/erase cycles guaranteed

### ■ Package options

- 32-pin PLCC
- 32-pin TSOP
- 32-pin PDIP

### ■ Compatible with JEDEC standards

- Pinout and software compatible with single-power-supply flash
- Superior inadvertent write protection

### ■ Data# Polling and Toggle Bits

- Provides a software method of detecting program or erase cycle completion

## GENERAL DESCRIPTION

The Am29F010 is a 1 Mbit, 5.0 Volt-only Flash memory organized as 131,072 bytes. The Am29F010 is offered in 32-pin PLCC, TSOP, and PDIP packages. The byte-wide data appears on DQ0-DQ7. The device is designed to be programmed in-system with the standard system 5.0 Volt  $V_{CC}$  supply. A 12.0 volt  $V_{PP}$  is not required for program or erase operations. The device can also be programmed or erased in standard EPROM programmers.

The standard device offers access times of 45, 55, 70, 90, and 120 ns, allowing high-speed microprocessors to operate without wait states. To eliminate bus contention the device has separate chip enable (CE#), write enable (WE#) and output enable (OE) controls.

The device requires only a **single 5.0 volt power supply** for both read and write functions. Internally generated and regulated voltages are provided for the program and erase operations.

The device is entirely command set compatible with the **JEDEC single-power-supply Flash standard**. Commands are written to the command register using standard microprocessor write timings. Register contents serve as input to an internal state machine that controls the erase and programming circuitry. Write cycles also internally latch addresses and data needed for the programming and erase operations. Reading data out of the device is similar to reading from other Flash or EPROM devices.

Device programming occurs by executing the program command sequence. This invokes the **Embedded Program** algorithm—an internal algorithm that automatically times the program pulse widths and verifies proper cell margin.

Device erasure occurs by executing the erase command sequence. This invokes the **Embedded Erase** algorithm—an internal algorithm that automatically preprograms the array (if it is not already programmed) before executing the erase operation. During erase, the device automatically times the erase pulse widths and verifies proper cell margin.

The host system can detect whether a program or erase operation is complete by reading the DQ7 (Data# Polling) and DQ6 (toggle) **status bits**. After a program or erase cycle has been completed, the device is ready to read array data or accept another command.

The **sector erase architecture** allows memory sectors to be erased and reprogrammed without affecting the data contents of other sectors. The device is erased when shipped from the factory.

The **hardware data protection** measures include a low  $V_{CC}$  detector automatically inhibits write operations during power transitions. The **hardware sector protection** feature disables both program and erase operations in any combination of the sectors of memory, and is implemented using standard EPROM programmers.

The system can place the device into the **standby mode**. Power consumption is greatly reduced in this mode.

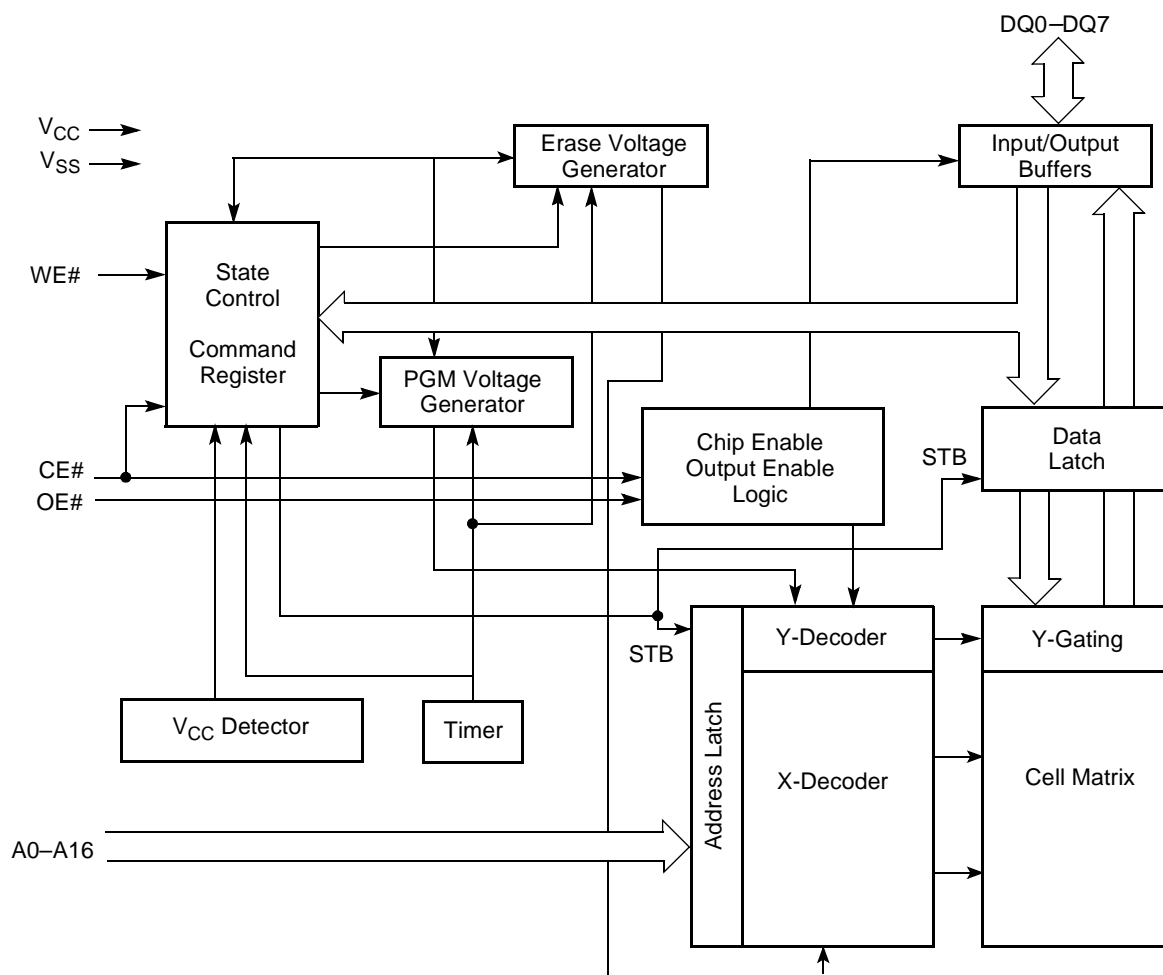
AMD's Flash technology combines years of Flash memory manufacturing experience to produce the highest levels of quality, reliability, and cost effectiveness. The device electrically erases all bits within a sector simultaneously via Fowler-Nordheim tunneling. The bytes are programmed one byte at a time using the EPROM programming mechanism of hot electron injection.

## PRODUCT SELECTOR GUIDE

| Family Part Number   |                                  | Am29F010 |               |     |     |      |
|----------------------|----------------------------------|----------|---------------|-----|-----|------|
| Speed Option         | $V_{CC} = 5.0\text{ V} \pm 5\%$  | -45      | -55 (P)       |     |     |      |
|                      | $V_{CC} = 5.0\text{ V} \pm 10\%$ |          | -55 (J, E, F) | -70 | -90 | -120 |
| Max Access Time (ns) |                                  | 45       | 55            | 70  | 90  | 120  |
| CE# Access (ns)      |                                  | 45       | 55            | 70  | 90  | 120  |
| OE# Access (ns)      |                                  | 25       | 30            | 30  | 35  | 50   |

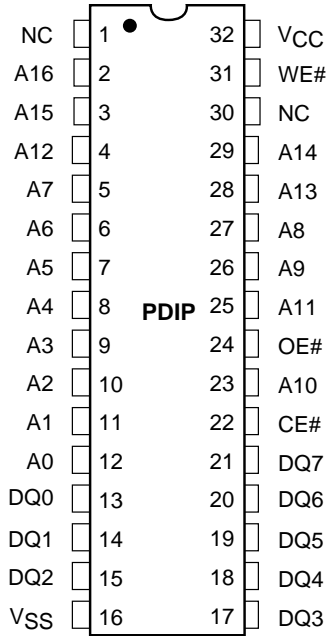
**Note:** See the AC Characteristics section for full specifications.

## BLOCK DIAGRAM

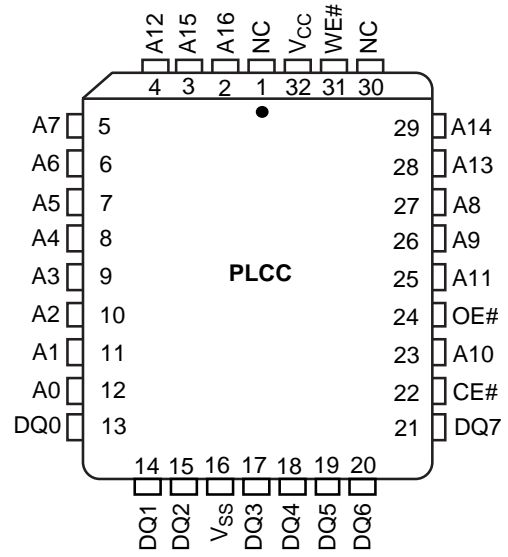


16736G-1

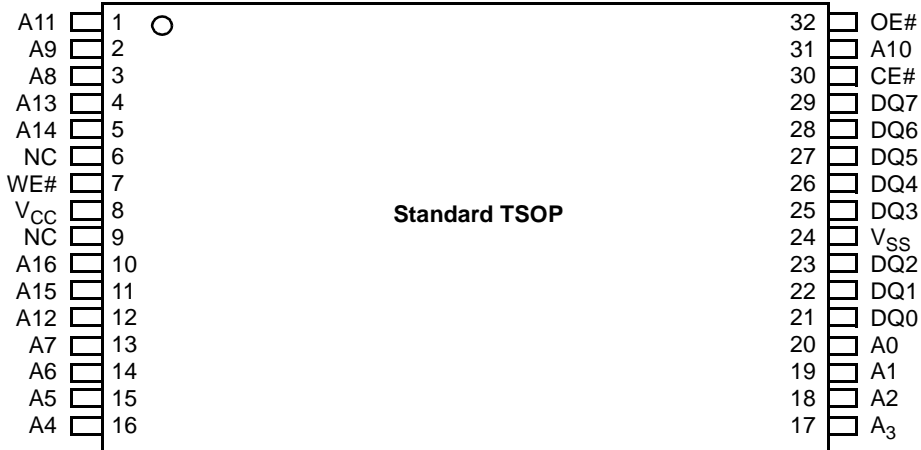
CONNECTION DIAGRAMS



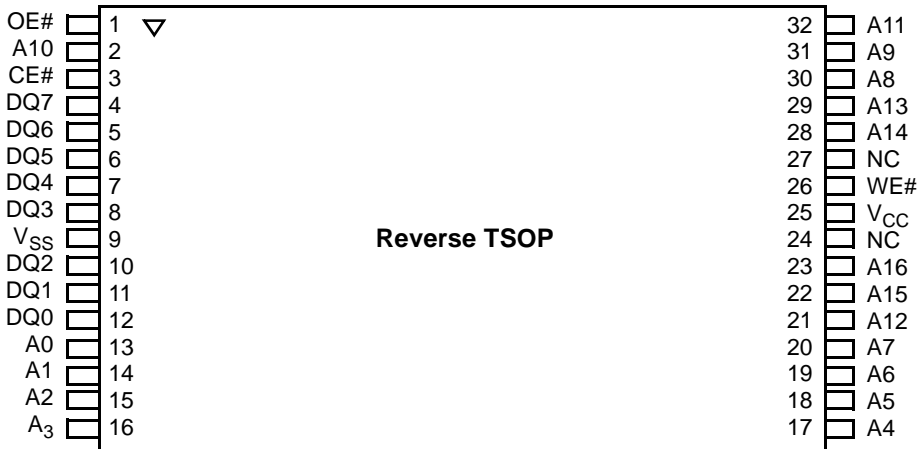
16736G-2



16736G-3



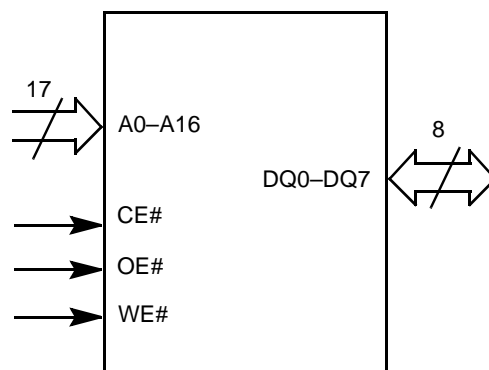
16736G-4



16736G-5

**PIN CONFIGURATION**

|                 |   |
|-----------------|---|
| A0–A16          | = 17 Addresses  |
| DQ0–DQ7         | = 8 Data Inputs/Outputs   |
| CE#             | = Chip Enable   |
| OE#             | = Output Enable   |
| WE#             | = Write Enable  |
| V <sub>CC</sub> | = +5.0 Volt Single Power Supply<br>(See Product Selector Guide for speed options and voltage supply tolerances) |
| V <sub>SS</sub> | = Device Ground   |
| NC              | = Pin Not Connected Internally  |

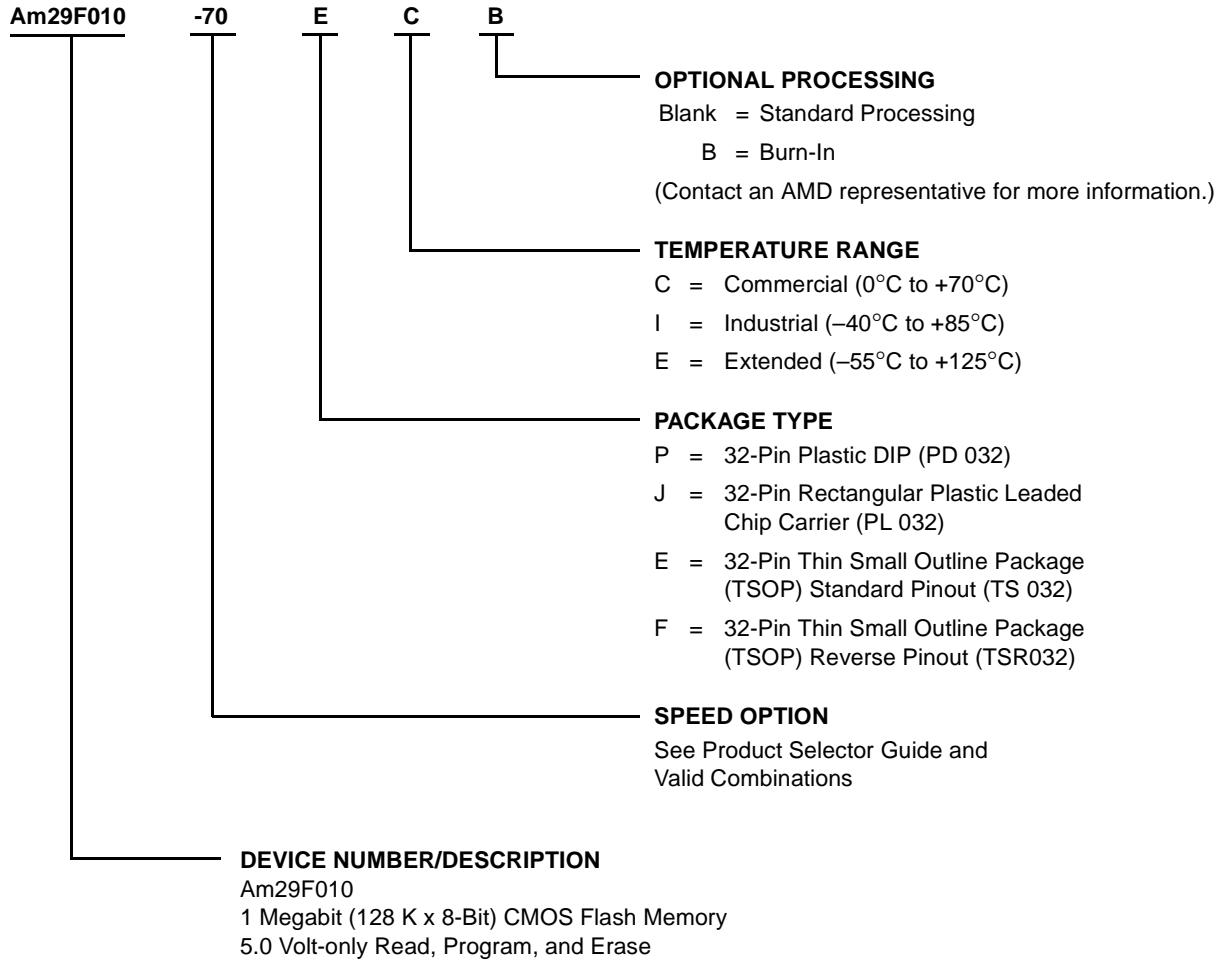
**LOGIC SYMBOL**

16736G-6

## ORDERING INFORMATION

### Standard Products

AMD standard products are available in several packages and operating ranges. The order number (Valid Combination) is formed by a combination of the elements below.



| Valid Combinations                              |   |
|---|---|
| AM29F010-45                                     | PC, PI, PE,<br>JC, JI, JE,<br>EC, EI, EE,<br>FC, FI, FE |
| AM29F010-55<br>$V_{CC} = 5.0\text{ V} \pm 5\%$  | PC5, PI5, PE5   |
| AM29F010-55<br>$V_{CC} = 5.0\text{ V} \pm 10\%$ | JC, JI, JE, EC, EI, EE, FC, FI, FE                      |
| AM29F010-70<br>AM29F010-90<br>AM29F010-120      | PC, PI, PE,<br>JC, JI, JE,<br>EC, EI, EE,<br>FC, FI, FE |

### Valid Combinations

Valid Combinations list configurations planned to be supported in volume for this device. Consult the local AMD sales office to confirm availability of specific valid combinations and to check on newly released combinations.

## DEVICE BUS OPERATIONS

This section describes the requirements and use of the device bus operations, which are initiated through the internal command register. The command register itself does not occupy any addressable memory location. The register is composed of latches that store the commands, along with the address and data information needed to execute the command. The contents of the

register serve as inputs to the internal state machine. The state machine outputs dictate the function of the device. The appropriate device bus operations table lists the inputs and control levels required, and the resulting output. The following subsections describe each of these operations in further detail.

**Table 1. Am29F010 Device Bus Operations**

| Operation                  | CE#                     | OE# | WE# | Addresses (Note 1) | DQ0–DQ7          |
|----------------------------|-------------------------|-----|-----|--------------------|------------------|
| Read                       | L                       | L   | H   | A <sub>IN</sub>    | D <sub>OUT</sub> |
| Write                      | L                       | H   | L   | A <sub>IN</sub>    | D <sub>IN</sub>  |
| Standby                    | V <sub>CC</sub> ± 0.5 V | X   | X   | X                  | High-Z           |
| Output Disable             | L                       | H   | H   | X                  | High-Z           |
| Hardware Reset             | X                       | X   | X   | X                  | High-Z           |
| Temporary Sector Unprotect | X                       | X   | X   | A <sub>IN</sub>    | D <sub>IN</sub>  |

**Legend:**

L = Logic Low = V<sub>IL</sub>, H = Logic High = V<sub>IH</sub>, V<sub>ID</sub> = 12.0 ± 0.5 V, X = Don't Care, A<sub>IN</sub> = Addresses In, D<sub>IN</sub> = Data In, D<sub>OUT</sub> = Data Out

**Notes:**

- Addresses are A16:A0.
- The sector protect and sector unprotect functions must be implemented via programming equipment. See the "Sector Protection/Unprotection" section.

### Requirements for Reading Array Data

To read array data from the outputs, the system must drive the CE# and OE# pins to V<sub>IL</sub>. CE# is the power control and selects the device. OE# is the output control and gates array data to the output pins. WE# should remain at V<sub>IH</sub>.

The internal state machine is set for reading array data upon device power-up, or after a hardware reset. This ensures that no spurious alteration of the memory content occurs during the power transition. No command is necessary in this mode to obtain array data. Standard microprocessor read cycles that assert valid addresses on the device address inputs produce valid data on the device data outputs. The device remains enabled for read access until the command register contents are altered.

See "Reading Array Data" for more information. Refer to the AC Read Operations table for timing specifications and to the Read Operations Timings diagram for the timing waveforms. I<sub>CC1</sub> in the DC Characteristics table represents the active current specification for reading array data.

### Writing Commands/Command Sequences

To write a command or command sequence (which includes programming data to the device and erasing sectors of memory), the system must drive WE# and CE# to V<sub>IL</sub>, and OE# to V<sub>IH</sub>.

An erase operation can erase one sector, multiple sectors, or the entire device. The Sector Address Tables indicate the address space that each sector occupies. A "sector address" consists of the address bits required to uniquely select a sector. See the "Command Definitions" section for details on erasing a sector or the entire chip.

After the system writes the autoselect command sequence, the device enters the autoselect mode. The system can then read autoselect codes from the internal register (which is separate from the memory array) on DQ7–DQ0. Standard read cycle timings apply in this mode. Refer to the "Autoselect Mode" and "Autoselect Command Sequence" sections for more information.

I<sub>CC2</sub> in the DC Characteristics table represents the active current specification for the write mode. The "AC Characteristics" section contains timing specification tables and timing diagrams for write operations.

## Program and Erase Operation Status

During an erase or program operation, the system may check the status of the operation by reading the status bits on DQ7–DQ0. Standard read cycle timings and  $I_{CC}$  read specifications apply. Refer to “Write Operation Status” for more information, and to each AC Characteristics section in the appropriate data sheet for timing diagrams.

## Standby Mode

When the system is not reading or writing to the device, it can place the device in the standby mode. In this mode, current consumption is greatly reduced, and the outputs are placed in the high impedance state, independent of the OE# input.

The device enters the CMOS standby mode when the CE# pin is held at  $V_{CC} \pm 0.5$  V. (Note that this is a more restricted voltage range than  $V_{IH}$ .) The device enters the TTL standby mode when CE# is held at  $V_{IH}$ . The device requires the standard access time ( $t_{CE}$ ) before it is ready to read data.

If the device is deselected during erasure or programming, the device draws active current until the operation is completed.

$I_{CC3}$  in the DC Characteristics tables represents the standby current specification.

## Output Disable Mode

When the OE# input is at  $V_{IH}$ , output from the device is disabled. The output pins are placed in the high impedance state.

Table 2. Am29F010 Sector Addresses Table

| Sector | A16 | A15 | A14 | Address Range |
|--------|-----|-----|-----|---------------|
| SA0    | 0   | 0   | 0   | 00000h-03FFFh |
| SA1    | 0   | 0   | 1   | 04000h-07FFFh |
| SA2    | 0   | 1   | 0   | 08000h-0BFFFh |
| SA3    | 0   | 1   | 1   | 0C000h-0FFFFh |
| SA4    | 1   | 0   | 0   | 10000h-13FFFh |
| SA5    | 1   | 0   | 1   | 14000h-17FFFh |
| SA6    | 1   | 1   | 0   | 18000h-1BFFFh |
| SA7    | 1   | 1   | 1   | 1C000h-1FFFFh |

## Autoselect Mode

The autoselect mode provides manufacturer and device identification, and sector protection verification, through identifier codes output on DQ7–DQ0. This mode is primarily intended for programming equipment to automatically match a device to be programmed with its corresponding programming algorithm. However, the autoselect codes can also be accessed in-system through the command register.

When using programming equipment, the autoselect mode requires  $V_{ID}$  (11.5 V to 12.5 V) on address pin A9. Address pins A6, A1, and A0 must be as shown in Autoselect Codes (High Voltage Method) table. In addition, when verifying sector protection, the sector ad-

dress must appear on the appropriate highest order address bits. Refer to the corresponding Sector Address Tables. The Command Definitions table shows the remaining address bits that are don't care. When all necessary bits have been set as required, the programming equipment may then read the corresponding identifier code on DQ7–DQ0.

To access the autoselect codes in-system, the host system can issue the autoselect command via the command register, as shown in the Command Definitions table. This method does not require  $V_{ID}$ . See “Command Definitions” for details on using the autoselect mode.



Table 3. Am29F010 Autoselect Codes (High Voltage Method)

| Description                    | CE# | OE# | WE# | A16 to A14 | A13 to A10 | A9              | A8 to A7 | A6 | A5 to A2 | A1 | A0 | DQ7 to DQ0        |
|--------------------------------|-----|-----|-----|------------|------------|-----------------|----------|----|----------|----|----|-------------------|
| Manufacturer ID: AMD           | L   | L   | H   | X          | X          | V <sub>ID</sub> | X        | L  | X        | L  | L  | 01h               |
| Device ID: Am29F010            | L   | L   | H   | X          | X          | V <sub>ID</sub> | X        | L  | X        | L  | H  | 20h               |
| Sector Protection Verification | L   | L   | H   | SA         | X          | V <sub>ID</sub> | X        | L  | X        | H  | L  | 01h (protected)   |
|                                |     |     |     |            |            |                 |          |    |          |    |    | 00h (unprotected) |

*L = Logic Low = V<sub>IL</sub>, H = Logic High = V<sub>IH</sub>, SA = Sector Address, X = Don't care.*

### Sector Protection/Unprotection

The hardware sector protection feature disables both program and erase operations in any sector. The hardware sector unprotection feature re-enables both program and erase operations in previously protected sectors.

Sector protection/unprotection must be implemented using programming equipment. The procedure requires a high voltage (V<sub>ID</sub>) on address pin A9 and the control pins. Details on this method are provided in a supplement, publication number 20495. Contact an AMD representative to obtain a copy of the appropriate document.

The device is shipped with all sectors unprotected. AMD offers the option of programming and protecting sectors at its factory prior to shipping the device through AMD's ExpressFlash™ Service. Contact an AMD representative for details.

It is possible to determine whether a sector is protected or unprotected. See "Autoselect Mode" for details.

### Hardware Data Protection

The command sequence requirement of unlock cycles for programming or erasing provides data protection against inadvertent writes (refer to the Command Definitions table). In addition, the following hardware data protection measures prevent accidental erasure or pro-

gramming, which might otherwise be caused by spurious system level signals during V<sub>CC</sub> power-up and power-down transitions, or from system noise.

#### Low V<sub>CC</sub> Write Inhibit

When V<sub>CC</sub> is less than V<sub>LKO</sub>, the device does not accept any write cycles. This protects data during V<sub>CC</sub> power-up and power-down. The command register and all internal program/erase circuits are disabled, and the device resets. Subsequent writes are ignored until V<sub>CC</sub> is greater than V<sub>LKO</sub>. The system must provide the proper signals to the control pins to prevent unintentional writes when V<sub>CC</sub> is greater than V<sub>LKO</sub>.

#### Write Pulse "Glitch" Protection

Noise pulses of less than 5 ns (typical) on OE#, CE# or WE# do not initiate a write cycle.

#### Logical Inhibit

Write cycles are inhibited by holding any one of OE# = V<sub>IL</sub>, CE# = V<sub>IH</sub> or WE# = V<sub>IH</sub>. To initiate a write cycle, CE# and WE# must be a logical zero while OE# is a logical one.

#### Power-Up Write Inhibit

If WE# = CE# = V<sub>IL</sub> and OE# = V<sub>IH</sub> during power up, the device does not accept commands on the rising edge of WE#. The internal state machine is automatically reset to reading array data on power-up.

## COMMAND DEFINITIONS

Writing specific address and data commands or sequences into the command register initiates device operations. The Command Definitions table defines the valid register command sequences. Writing **incorrect address and data values** or writing them in the **improper sequence** resets the device to reading array data.

All addresses are latched on the falling edge of WE# or CE#, whichever happens later. All data is latched on the rising edge of WE# or CE#, whichever happens first. Refer to the appropriate timing diagrams in the “AC Characteristics” section.

### Reading Array Data

The device is automatically set to reading array data after device power-up. No commands are required to retrieve data. The device is also ready to read array data after completing an Embedded Program or Embedded Erase algorithm.

The system *must* issue the reset command to re-enable the device for reading array data if DQ5 goes high, or while in the autoselect mode. See the “Reset Command” section, next.

See also “Requirements for Reading Array Data” in the “Device Bus Operations” section for more information. The Read Operations table provides the read parameters, and Read Operation Timings diagram shows the timing diagram.

### Reset Command

Writing the reset command to the device resets the device to reading array data. Address bits are don't care for this command.

The reset command may be written between the sequence cycles in an erase command sequence before erasing begins. This resets the device to reading array data. Once erasure begins, however, the device ignores reset commands until the operation is complete.

The reset command may be written between the sequence cycles in a program command sequence before programming begins. This resets the device to reading array data. Once programming begins, however, the device ignores reset commands until the operation is complete.

The reset command may be written between the sequence cycles in an autoselect command sequence. Once in the autoselect mode, the reset command *must* be written to return to reading array data.

If DQ5 goes high during a program or erase operation, writing the reset command returns the device to reading array data.

### Autoselect Command Sequence

The autoselect command sequence allows the host system to access the manufacturer and device codes, and determine whether or not a sector is protected. The Command Definitions table shows the address and data requirements. This method is an alternative to that shown in the Autoselect Codes (High Voltage Method) table, which is intended for PROM programmers and requires  $V_{ID}$  on address bit A9.

The autoselect command sequence is initiated by writing two unlock cycles, followed by the autoselect command. The device then enters the autoselect mode, and the system may read at any address any number of times, without initiating another command sequence.

A read cycle at address XX00h or retrieves the manufacturer code. A read cycle at address XX01h returns the device code. A read cycle containing a sector address (SA) and the address 02h returns 01h if that sector is protected, or 00h if it is unprotected. Refer to the Sector Address tables for valid sector addresses.

The system must write the reset command to exit the autoselect mode and return to reading array data.

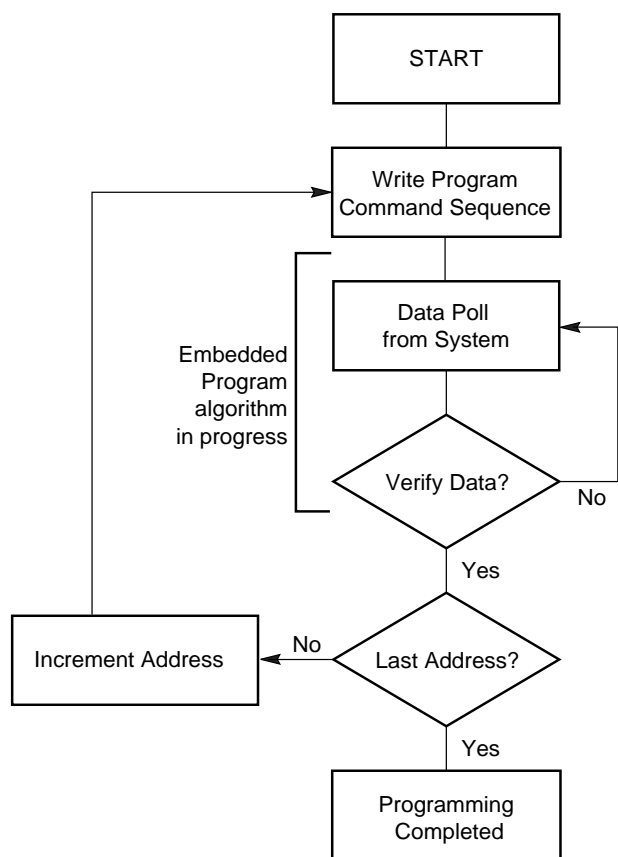
### Byte Program Command Sequence

Programming is a four-bus-cycle operation. The program command sequence is initiated by writing two unlock write cycles, followed by the program set-up command. The program address and data are written next, which in turn initiate the Embedded Program algorithm. The system is *not* required to provide further controls or timings. The device automatically provides internally generated program pulses and verify the programmed cell margin. The Command Definitions table shows the address and data requirements for the byte program command sequence.

When the Embedded Program algorithm is complete, the device then returns to reading array data and addresses are no longer latched. The system can determine the status of the program operation by using DQ7 or DQ6. See “Write Operation Status” for information on these status bits.

Any commands written to the device during the Embedded Program Algorithm are ignored.

Programming is allowed in any sequence and across sector boundaries. **A bit cannot be programmed from a “0” back to a “1”**. Attempting to do so may halt the operation and set DQ5 to “1”, or cause the Data# Polling algorithm to indicate the operation was successful. However, a succeeding read will show that the data is still “0”. Only erase operations can convert a “0” to a “1”.



16736G-7

**Note:** See the appropriate Command Definitions table for program command sequence.

**Figure 1. Program Operation**

## Chip Erase Command Sequence

Chip erase is a six-bus-cycle operation. The chip erase command sequence is initiated by writing two unlock cycles, followed by a set-up command. Two additional unlock write cycles are then followed by the chip erase command, which in turn invokes the Embedded Erase algorithm. The device does *not* require the system to preprogram prior to erase. The Embedded Erase algorithm automatically preprograms and verifies the entire memory for an all zero data pattern prior to electrical erase. The system is not required to provide any controls or timings during these operations. The Command Definitions table shows the address and data requirements for the chip erase command sequence.

Any commands written to the chip during the Embedded Erase algorithm are ignored.

The system can determine the status of the erase operation by using DQ7 or DQ6. See “Write Operation Status” for information on these status bits. When the Embedded Erase algorithm is complete, the device returns to reading array data and addresses are no longer latched.

Figure 2 illustrates the algorithm for the erase operation. See the Erase/Program Operations tables in “AC Characteristics” for parameters, and to the Chip/Sector Erase Operation Timings for timing waveforms.

## Sector Erase Command Sequence

Sector erase is a six bus cycle operation. The sector erase command sequence is initiated by writing two unlock cycles, followed by a set-up command. Two additional unlock write cycles are then followed by the address of the sector to be erased, and the sector erase command. The Command Definitions table shows the address and data requirements for the sector erase command sequence.

The device does *not* require the system to preprogram the memory prior to erase. The Embedded Erase algorithm automatically programs and verifies the sector for an all zero data pattern prior to electrical erase. The system is not required to provide any controls or timings during these operations.

After the command sequence is written, a sector erase time-out of 50  $\mu$ s begins. During the time-out period, additional sector addresses and sector erase commands may be written. Loading the sector erase buffer may be done in any sequence, and the number of sectors may be from one sector to all sectors. The time between these additional cycles must be less than 50  $\mu$ s, otherwise the last address and command might not be accepted, and erasure may begin. It is recommended that processor interrupts be disabled during this time to ensure all commands are accepted. The interrupts can be re-enabled after the last Sector Erase command is

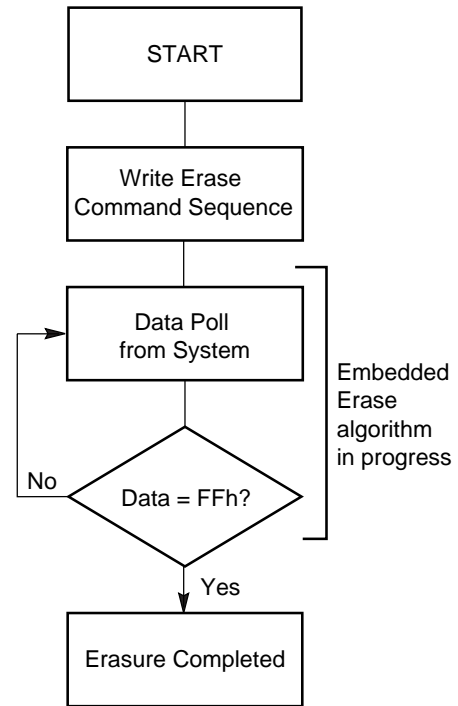
written. If the time between additional sector erase commands can be assumed to be less than 50  $\mu$ s, the system need not monitor DQ3. **Any command during the time-out period resets the device to reading array data.** The system must rewrite the command sequence and any additional sector addresses and commands.

The system can monitor DQ3 to determine if the sector erase timer has timed out. (See the “DQ3: Sector Erase Timer” section.) The time-out begins from the rising edge of the final WE# pulse in the command sequence.

Once the sector erase operation has begun, all other commands are ignored.

When the Embedded Erase algorithm is complete, the device returns to reading array data and addresses are no longer latched. The system can determine the status of the erase operation by using DQ7 or DQ6. Refer to “Write Operation Status” for information on these status bits.

Figure 2 illustrates the algorithm for the erase operation. Refer to the Erase/Program Operations tables in the “AC Characteristics” section for parameters, and to the Sector Erase Operations Timing diagram for timing waveforms.



16736G-8

**Notes:**

1. See the appropriate Command Definitions table for erase command sequence.
2. See “DQ3: Sector Erase Timer” for more information.

**Figure 2. Erase Operation**

Table 4. Am2F010 Command Definitions

| Command Sequence (Note 1) |                                | Cycles | Bus Cycles (Notes 2-3) |      |        |      |       |      |             |          |       |      |       |      |
|---------------------------|--------------------------------|--------|------------------------|------|--------|------|-------|------|-------------|----------|-------|------|-------|------|
|                           |                                |        | First                  |      | Second |      | Third |      | Fourth      |          | Fifth |      | Sixth |      |
|                           |                                |        | Addr                   | Data | Addr   | Data | Addr  | Data | Addr        | Data     | Addr  | Data | Addr  | Data |
| Read (Note 4)             |                                | 1      | RA                     | RD   |        |      |       |      |             |          |       |      |       |      |
| Reset (Note 5)            |                                | 1      | XXXX                   | F0   |        |      |       |      |             |          |       |      |       |      |
| Autoselect (Note 6)       | Manufacturer ID                | 4      | 5555                   | AA   | 2AAA   | 55   | 5555  | 90   | XX00        | 01       |       |      |       |      |
|                           | Device ID                      | 4      | 5555                   | AA   | 2AAA   | 55   | 5555  | 90   | XX01        | 20       |       |      |       |      |
|                           | Sector Protect Verify (Note 7) | 4      | 5555                   | AA   | 2AAA   | 55   | 5555  | 90   | (SA)<br>X02 | 00<br>01 |       |      |       |      |
| Program                   |                                | 4      | 5555                   | AA   | 2AAA   | 55   | 5555  | A0   | PA          | PD       |       |      |       |      |
| Chip Erase                |                                | 6      | 5555                   | AA   | 2AAA   | 55   | 5555  | 80   | 5555        | AA       | 2AAA  | 55   | 5555  | 10   |
| Sector Erase              |                                | 6      | 5555                   | AA   | 2AAA   | 55   | 5555  | 80   | 5555        | AA       | 2AAA  | 55   | SA    | 30   |

**Legend:**

*X = Don't care*

*RA = Address of the memory location to be read.*

*RD = Data read from location RA during read operation.*

*PA = Address of the memory location to be programmed.*

*Addresses latch on the falling edge of the WE# or CE# pulse, whichever happens later.*

*PD = Data to be programmed at location PA. Data latches on the rising edge of WE# or CE# pulse, whichever happens first.*

*SA = Address of the sector to be verified (in autoselect mode) or erased. Address bits A16–A14 uniquely select any sector.*

**Notes:**

1. See Table 1 for description of bus operations.
2. All values are in hexadecimal.
3. Except when reading array or autoselect data, all command bus cycles are write operations.
4. No unlock or command cycles required when reading array data.
5. The Reset command is required to return to reading array data when device is in the autoselect mode, or if DQ5 goes high (while the device is providing status data).
6. The fourth cycle of the autoselect command sequence is a read operation.
7. The data is 00h for an unprotected sector and 01h for a protected sector. See "Autoselect Command Sequence" for more information.

## WRITE OPERATION STATUS

The device provides several bits to determine the status of a write operation: DQ3, DQ5, DQ6, and DQ7. Table 5 and the following subsections describe the functions of these bits. DQ7 and DQ6 each offer a method for determining whether a program or erase operation is complete or in progress. These three bits are discussed first.

### DQ7: Data# Polling

The Data# Polling bit, DQ7, indicates to the host system whether an Embedded Algorithm is in progress or completed. Data# Polling is valid after the rising edge of the final WE# pulse in the program or erase command sequence.

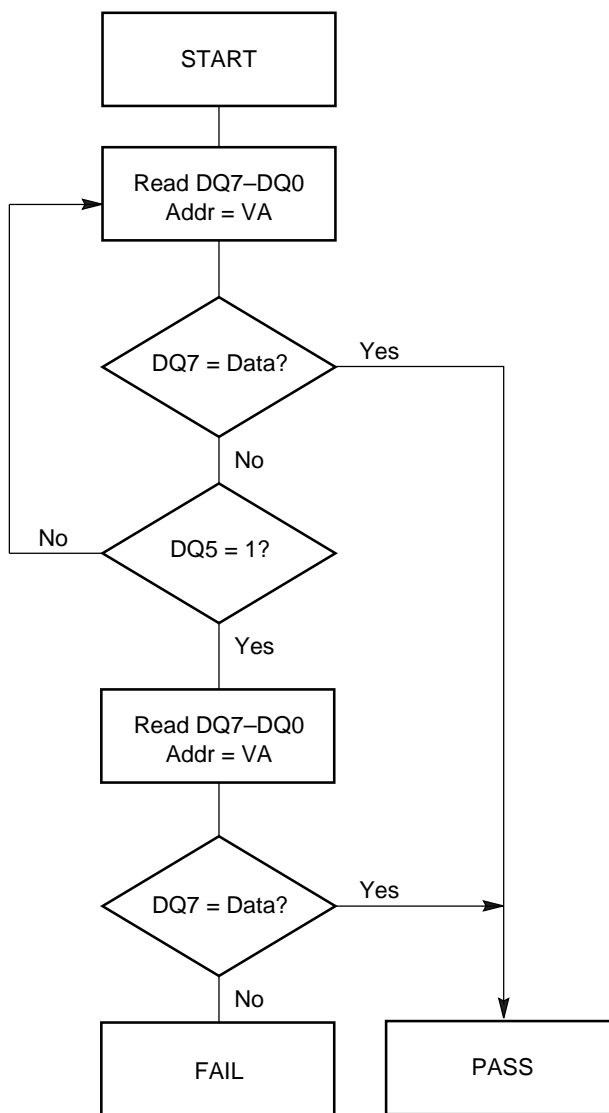
During the Embedded Program algorithm, the device outputs on DQ7 the complement of the datum programmed to DQ7. When the Embedded Program algorithm is complete, the device outputs the datum programmed to DQ7. The system must provide the program address to read valid status information on DQ7. If a program address falls within a protected sector, Data# Polling on DQ7 is active for approximately 2  $\mu$ s, then the device returns to reading array data.

During the Embedded Erase algorithm, Data# Polling produces a “0” on DQ7. When the Embedded Erase algorithm is complete, Data# Polling produces a “1” on DQ7. This is analogous to the complement/true datum output described for the Embedded Program algorithm: the erase function changes all the bits in a sector to “1”; prior to this, the device outputs the “complement,” or “0.” The system must provide an address within any of the sectors selected for erasure to read valid status information on DQ7.

After an erase command sequence is written, if all sectors selected for erasing are protected, Data# Polling on DQ7 is active for approximately 100  $\mu$ s, then the device returns to reading array data. If not all selected sectors are protected, the Embedded Erase algorithm erases the unprotected sectors, and ignores the selected sectors that are protected.

When the system detects DQ7 has changed from the complement to true data, it can read valid data at DQ7–DQ0 on the *following* read cycles. This is because DQ7 may change asynchronously with DQ0–DQ6 while Output Enable (OE#) is asserted low. The Data# Polling Timings (During Embedded Algorithms) figure in the “AC Characteristics” section illustrates this.

Table 5 shows the outputs for Data# Polling on DQ7. Figure 3 shows the Data# Polling algorithm.



**Notes:**

1. VA = Valid address for programming. During a sector erase operation, a valid address is an address within any sector selected for erasure. During chip erase, a valid address is any non-protected sector address.
2. DQ7 should be rechecked even if DQ5 = “1” because DQ7 may change simultaneously with DQ5.

16736G-9

**Figure 3. Data# Polling Algorithm**

## DQ6: Toggle Bit I

Toggle Bit I on DQ6 indicates whether an Embedded Program or Erase algorithm is in progress or complete. Toggle Bit I may be read at any address, and is valid after the rising edge of the final WE# pulse in the command sequence (prior to the program or erase operation), and during the sector erase time-out.

During an Embedded Program or Erase algorithm operation, successive read cycles to any address cause DQ6 to toggle. (The system may use either OE# or CE# to control the read cycles.) When the operation is complete, DQ6 stops toggling.

After an erase command sequence is written, if all sectors selected for erasing are protected, DQ6 toggles for approximately 100  $\mu$ s, then returns to reading array data. If not all selected sectors are protected, the Embedded Erase algorithm erases the unprotected sectors, and ignores the selected sectors that are protected.

If a program address falls within a protected sector, DQ6 toggles for approximately 2  $\mu$ s after the program command sequence is written, then returns to reading array data.

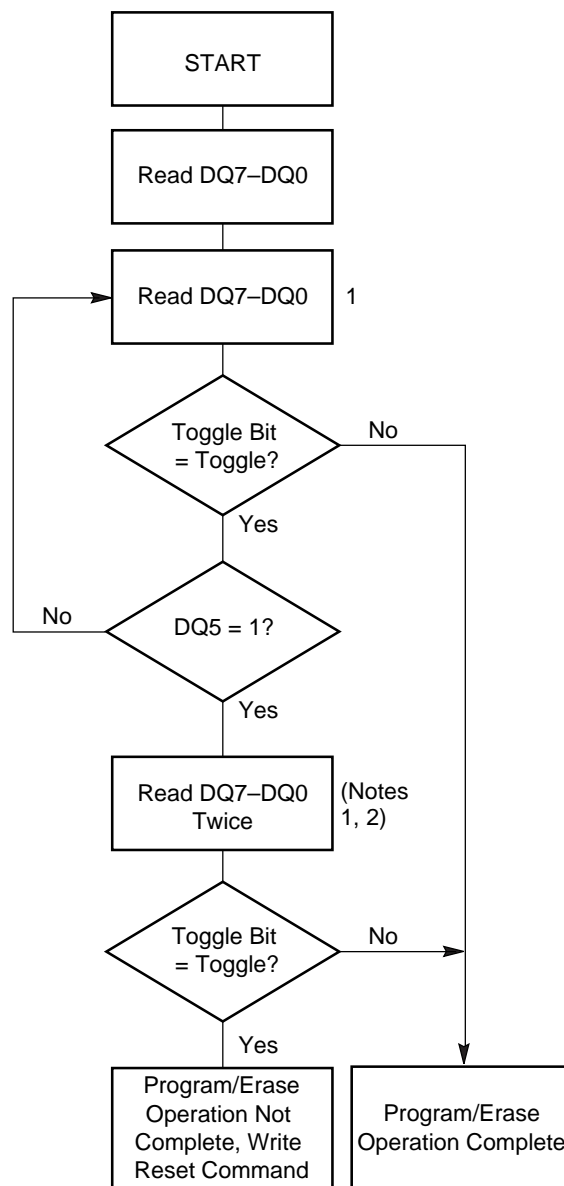
The Write Operation Status table shows the outputs for Toggle Bit I on DQ6. Refer to Figure 4 for the toggle bit algorithm, and to the Toggle Bit Timings figure in the “AC Characteristics” section for the timing diagram.

### Reading Toggle Bit DQ6

Refer to Figure 4 for the following discussion. Whenever the system initially begins reading toggle bit status, it must read DQ7–DQ0 at least twice in a row to determine whether a toggle bit is toggling. Typically, a system would note and store the value of the toggle bit after the first read. After the second read, the system would compare the new value of the toggle bit with the first. If the toggle bit is not toggling, the device has completed the program or erase operation. The system can read array data on DQ7–DQ0 on the following read cycle.

However, if after the initial two read cycles, the system determines that the toggle bit is still toggling, the system also should note whether the value of DQ5 is high (see the section on DQ5). If it is, the system should then determine again whether the toggle bit is toggling, since the toggle bit may have stopped toggling just as DQ5 went high. If the toggle bit is no longer toggling, the device has successfully completed the program or erase operation. If it is still toggling, the device did not complete the operation successfully, and the system must write the reset command to return to reading array data.

The remaining scenario is that the system initially determines that the toggle bit is toggling and DQ5 has not



#### Notes:

1. Read toggle bit twice to determine whether or not it is toggling. See text.
2. Recheck toggle bit because it may stop toggling as DQ5 changes to “1”. See text.

16736G-10

**Figure 4. Toggle Bit Algorithm**

gone high. The system may continue to monitor the toggle bit and DQ5 through successive read cycles, determining the status as described in the previous paragraph. Alternatively, it may choose to perform other system tasks. In this case, the system must start at the beginning of the algorithm when it returns to determine the status of the operation (top of Figure 4).

### DQ5: Exceeded Timing Limits

DQ5 indicates whether the program or erase time has exceeded a specified internal pulse count limit. Under these conditions DQ5 produces a “1.” This is a failure condition that indicates the program or erase cycle was not successfully completed.

The DQ5 failure condition may appear if the system tries to program a “1” to a location that is previously programmed to “0.” **Only an erase operation can change a “0” back to a “1.”** Under this condition, the device halts the operation, and when the operation has exceeded the timing limits, DQ5 produces a “1.”

Under both these conditions, the system must issue the reset command to return the device to reading array data.

### DQ3: Sector Erase Timer

After writing a sector erase command sequence, the system may read DQ3 to determine whether or not an erase operation has begun. (The sector erase timer does not apply to the chip erase command.) If addi-

tional sectors are selected for erasure, the entire time-out also applies after each additional sector erase command. When the time-out is complete, DQ3 switches from “0” to “1.” The system may ignore DQ3 if the system can guarantee that the time between additional sector erase commands will always be less than 50  $\mu$ s. See also the “Sector Erase Command Sequence” section.

After the sector erase command sequence is written, the system should read the status on DQ7 (Data# Polling) or DQ6 (Toggle Bit I) to ensure the device has accepted the command sequence, and then read DQ3. If DQ3 is “1”, the internally controlled erase cycle has begun; all further commands are ignored until the erase operation is complete. If DQ3 is “0”, the device will accept additional sector erase commands. To ensure the command has been accepted, the system software should check the status of DQ3 prior to and following each subsequent sector erase command. If DQ3 is high on the second status check, the last command might not have been accepted. Table 5 shows the outputs for DQ3.

**Table 5. Write Operation Status**

| Operation                  | DQ7 (Note 1) | DQ6    | DQ5 (Note 2) | DQ3 |
|----------------------------|--------------|--------|--------------|-----|
| Embedded Program Algorithm | DQ7#         | Toggle | 0            | N/A |
| Embedded Erase Algorithm   | 0            | Toggle | 0            | 1   |

**Notes:**

1. DQ7 requires a valid address when reading status information. Refer to the appropriate subsection for further details.
2. DQ5 switches to ‘1’ when an Embedded Program or Embedded Erase operation has exceeded the maximum timing limits. See “DQ5: Exceeded Timing Limits” for more information.



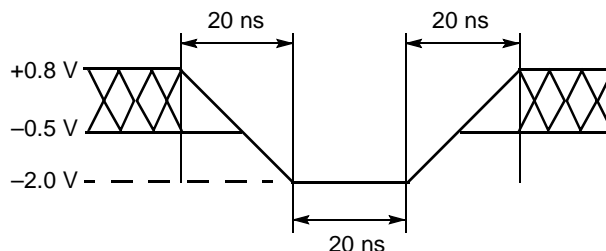
## ABSOLUTE MAXIMUM RATINGS

|                                       |                         |
|---------------------------------------|-------------------------|
| Storage Temperature                   |                         |
| Plastic Packages                      | ..... -65°C to +125°C   |
| Ambient Temperature                   |                         |
| with Power Applied                    | ..... -55°C to +125°C   |
| Voltage with Respect to Ground        |                         |
| V <sub>CC</sub> (Note 1)              | ..... -2.0 V to +7.0 V  |
| A9 (Note 2)                           | ..... -2.0 V to +12.5 V |
| All other pins (Note 1)               | ..... -2.0 V to +7.0 V  |
| Output Short Circuit Current (Note 3) | ..... 200 mA            |

**Notes:**

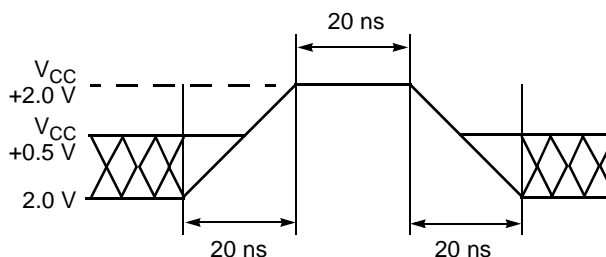
1. Minimum DC voltage on input or I/O pin is -0.5 V. During voltage transitions, inputs may overshoot V<sub>SS</sub> to -2.0 V for periods of up to 20 ns. See Figure 5. Maximum DC voltage on input and I/O pins is V<sub>CC</sub> + 0.5 V. During voltage transitions, input and I/O pins may overshoot to V<sub>CC</sub> + 2.0 V for periods up to 20 ns. See Figure 6.
2. Minimum DC input voltage on A9 pin is -0.5V. During voltage transitions, A9 pins may overshoot V<sub>SS</sub> to -2.0 V for periods of up to 20 ns. See Figure 5. Maximum DC input voltage on A9 is +12.5 V which may overshoot to 13.5 V for periods up to 20 ns.
3. No more than one output shorted at a time. Duration of the short circuit should not be greater than one second.

Stresses above those listed under “Absolute Maximum Ratings” may cause permanent damage to the device. This is a stress rating only; functional operation of the device at these or any other conditions above those indicated in the operational sections of this specification is not implied. Exposure of the device to absolute maximum rating conditions for extended periods may affect device reliability.



16736G-11

**Figure 5. Maximum Negative Overshoot Waveform**



16736G-12

**Figure 6. Maximum Positive Overshoot Waveform**

## OPERATING RANGES

**Commercial (C) Devices**

Case Temperature (T<sub>A</sub>) ..... 0°C to +70°C

**Industrial (I) Devices**

Case Temperature (T<sub>A</sub>) ..... -40°C to +85°C

**Extended (E) Devices**

Case Temperature (T<sub>A</sub>) ..... -55°C to +125°C

**V<sub>CC</sub> Supply Voltages**

V<sub>CC</sub> for ±5% devices ..... +4.75 V to +5.25 V

V<sub>CC</sub> for ±10% devices ..... +4.50 V to +5.50 V

Operating ranges define those limits between which the functionality of the device is guaranteed.

## DC CHARACTERISTICS

### TTL/NMOS Compatible

| Parameter Symbol | Parameter Description                                 | Test Description  | Min  | Max            | Unit    |
|------------------|---|---|------|----------------|---------|
| $I_{LI}$         | Input Load Current                                    | $V_{IN} = V_{SS}$ to $V_{CC}$ , $V_{CC} = V_{CC}$ Max   |      | $\pm 1.0$      | $\mu A$ |
| $I_{LIT}$        | A9 Input Load Current                                 | $V_{CC} = V_{CC}$ Max, A9 = 12.5 V                      |      | 50             | $\mu A$ |
| $I_{LO}$         | Output Leakage Current                                | $V_{OUT} = V_{SS}$ to $V_{CC}$ , $V_{CC} = V_{CC}$ Max  |      | $\pm 1.0$      | $\mu A$ |
| $I_{CC1}$        | $V_{CC}$ Active Current (Note 1)                      | CE# = $V_{IL}$ , OE# = $V_{IH}$ , $V_{CC} = V_{CC}$ Max |      | 30             | mA      |
| $I_{CC2}$        | $V_{CC}$ Active Current (Notes 2, 3)                  | CE# = $V_{IL}$ , OE# = $V_{IH}$ , $V_{CC} = V_{CC}$ Max |      | 50             | mA      |
| $I_{CC3}$        | $V_{CC}$ Standby Current                              | $V_{CC} = V_{CC}$ Max, CE# and OE# = $V_{IH}$           |      | 1.0            | mA      |
| $V_{IL}$         | Input Low Voltage                                     |   | -0.5 | 0.8            | V       |
| $V_{IH}$         | Input High Voltage                                    |   | 2.0  | $V_{CC} + 0.5$ | V       |
| $V_{ID}$         | Voltage for Autoselect and Temporary Sector Unprotect | $V_{CC} = 5.0$ V  | 11.5 | 12.5           | V       |
| $V_{OL}$         | Output Low Voltage                                    | $I_{OL} = 12$ mA, $V_{CC} = V_{CC}$ Min                 |      | 0.45           | V       |
| $V_{OH}$         | Output High Voltage                                   | $I_{OH} = -2.5$ mA, $V_{CC} = V_{CC}$ Min               | 2.4  |                | V       |
| $V_{LKO}$        | Low $V_{CC}$ Lock-out Voltage                         |   | 3.2  | 4.2            | V       |

**Notes:**

1. The  $I_{CC}$  current listed is typically less than 2 mA/MHz, with OE# at  $V_{IH}$ .
2.  $I_{CC}$  active while Embedded Program or Embedded Erase Algorithm is in progress.
3. Not 100% tested.

## DC CHARACTERISTICS (continued)

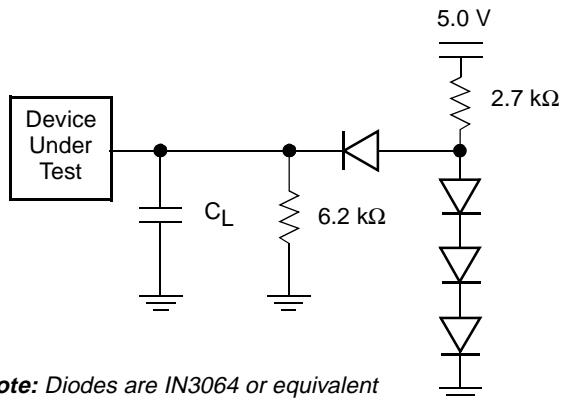
## CMOS Compatible

| Parameter Symbol | Parameter Description                                 | Test Description  | Min                 | Max            | Unit    |
|------------------|---|---|---------------------|----------------|---------|
| $I_{LI}$         | Input Load Current                                    | $V_{IN} = V_{SS}$ to $V_{CC}$ , $V_{CC} = V_{CC}$ Max             |                     | $\pm 1.0$      | $\mu A$ |
| $I_{LIT}$        | A9 Input Load Current                                 | $V_{CC} = V_{CC}$ Max, A9 = 12.5 V                                |                     | 50             | $\mu A$ |
| $I_{LO}$         | Output Leakage Current                                | $V_{OUT} = V_{SS}$ to $V_{CC}$ , $V_{CC} = V_{CC}$ Max            |                     | $\pm 1.0$      | $\mu A$ |
| $I_{CC1}$        | $V_{CC}$ Active Current (Note 1)                      | $CE\# = V_{IL}$ , $OE\# = V_{IH}$ , $V_{CC} = V_{CC}$ Max         |                     | 30             | mA      |
| $I_{CC2}$        | $V_{CC}$ Active Current (Notes 2, 3)                  | $CE\# = V_{IL}$ , $OE\# = V_{IH}$ , $V_{CC} = V_{CC}$ Max         |                     | 50             | mA      |
| $I_{CC3}$        | $V_{CC}$ Standby Current                              | $V_{CC} = V_{CC}$ Max, $CE\# = V_{CC} \pm 0.5$ V, $OE\# = V_{IH}$ |                     | 100            | $\mu A$ |
| $V_{IL}$         | Input Low Voltage                                     |   | -0.5                | 0.8            | V       |
| $V_{IH}$         | Input High Voltage                                    |   | $0.7 \times V_{CC}$ | $V_{CC} + 0.5$ | V       |
| $V_{ID}$         | Voltage for Autoselect and Temporary Sector Unprotect | $V_{CC} = 5.0$ V  | 11.5                | 12.5           | V       |
| $V_{OL}$         | Output Low Voltage                                    | $I_{OL} = 12$ mA, $V_{CC} = V_{CC}$ Min                           |                     | 0.45           | V       |
| $V_{OH1}$        | Output High Voltage                                   | $I_{OH} = -2.5$ mA, $V_{CC} = V_{CC}$ Min                         | $0.85 V_{CC}$       |                | V       |
| $V_{OH2}$        |   | $I_{OH} = -100$ $\mu A$ , $V_{CC} = V_{CC}$ Min                   | $V_{CC} - 0.4$      |                | V       |
| $V_{LKO}$        | Low $V_{CC}$ Lock-out Voltage                         |   | 3.2                 | 4.2            | V       |

**Notes:**

1. The  $I_{CC}$  current listed is typically less than 2 mA/MHz, with  $OE\#$  at  $V_{IH}$ .
2.  $I_{CC}$  active while Embedded Program or Embedded Erase Algorithm is in progress.
3. Not 100% tested.

TEST CONDITIONS



Note: Diodes are IN3064 or equivalent

16736G-13

Figure 7. Test Setup

Table 6. Test Specifications

| Test Condition  | -45        | All others | Unit |
|---|------------|------------|------|
| Output Load   | 1 TTL gate |            |      |
| Output Load Capacitance, C <sub>L</sub> (including jig capacitance) | 30         | 100        | pF   |
| Input Rise and Fall Times   | 5          | 20         | ns   |
| Input Pulse Levels  | 0.0–3.0    | 0.45–2.4   | V    |
| Input timing measurement reference levels                           | 1.5        | 0.8        | V    |
| Output timing measurement reference levels                          | 1.5        | 2.0        | V    |

KEY TO SWITCHING WAVEFORMS

| WAVEFORM | INPUTS                           | OUTPUTS                                      |
|----------|----------------------------------|--|
|          |                                  | Steady                                       |
|          |                                  | Changing from H to L                         |
|          |                                  | Changing from L to H                         |
|          | Don't Care, Any Change Permitted | Changing, State Unknown                      |
|          | Does Not Apply                   | Center Line is High Impedance State (High Z) |

KS000010-PAL

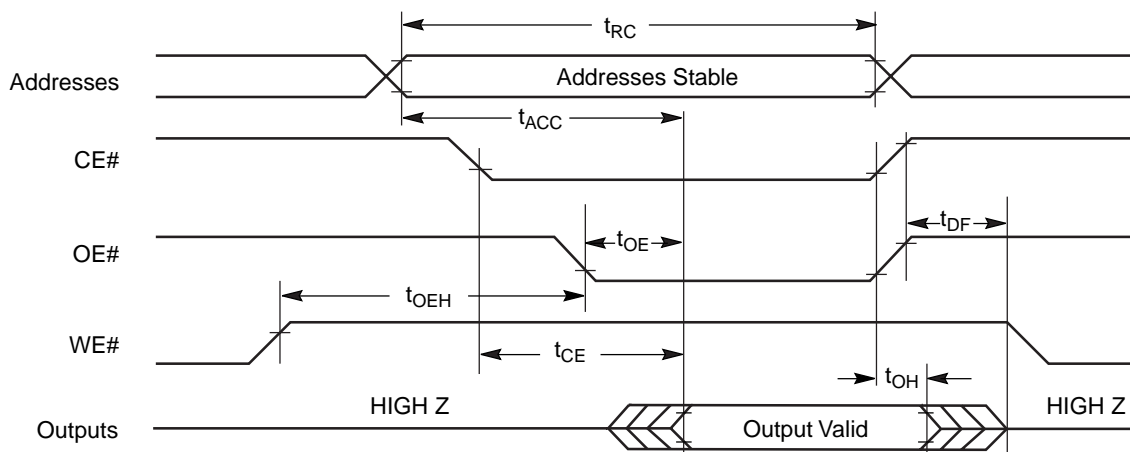
## AC CHARACTERISTICS

### Read-only Operations Characteristics

| Parameter Symbol |           | Parameter Description  | Test Setup                       |     | -45 | -55 | -70 | -90 | -120 | Unit |
|------------------|-----------|--|----------------------------------|-----|-----|-----|-----|-----|------|------|
| JEDEC            | Std.      |  |                                  |     |     |     |     |     |      |      |
| $t_{AVAV}$       | $t_{RC}$  | Read Cycle Time (Note 1)   |                                  | Min | 45  | 55  | 70  | 90  | 120  | ns   |
| $t_{AVQV}$       | $t_{ACC}$ | Address to Output Delay  | CE# = $V_{IL}$<br>OE# = $V_{IL}$ | Max | 45  | 55  | 70  | 90  | 120  | ns   |
| $t_{ELQV}$       | $t_{CE}$  | Chip Enable to Output Delay  | OE# = $V_{IL}$                   | Max | 45  | 55  | 70  | 90  | 120  | ns   |
| $t_{GLQV}$       | $t_{OE}$  | Output Enable to Output Delay                                      |                                  | Max | 25  | 30  | 30  | 35  | 50   | ns   |
| $t_{EHQZ}$       | $t_{DF}$  | Chip Enable to Output High Z (Notes 1, 2)                          |                                  | Max | 10  | 15  | 20  | 20  | 30   | ns   |
| $t_{GHQZ}$       | $t_{DF}$  | Output Enable to Output High Z (Notes 1, 2)                        |                                  | Max | 10  | 15  | 20  | 20  | 30   | ns   |
|                  | $t_{OEh}$ | Output Enable Hold Time (Note 1)                                   | Read                             | Min | 0   |     |     |     |      | ns   |
|                  |           |  | Toggle and Data Polling          | Min | 10  |     |     |     |      | ns   |
| $t_{AXQX}$       | $t_{OH}$  | Output Hold Time From Addresses CE# or OE#, Whichever Occurs First |                                  | Min | 0   |     |     |     |      | ns   |

**Notes:**

1. Not 100% tested.
2. Output Driver Disable Time.
3. See Figure 7 and Table 6 for test specifications.



16736G-14

Figure 8. Read Operations Timings

## AC CHARACTERISTICS

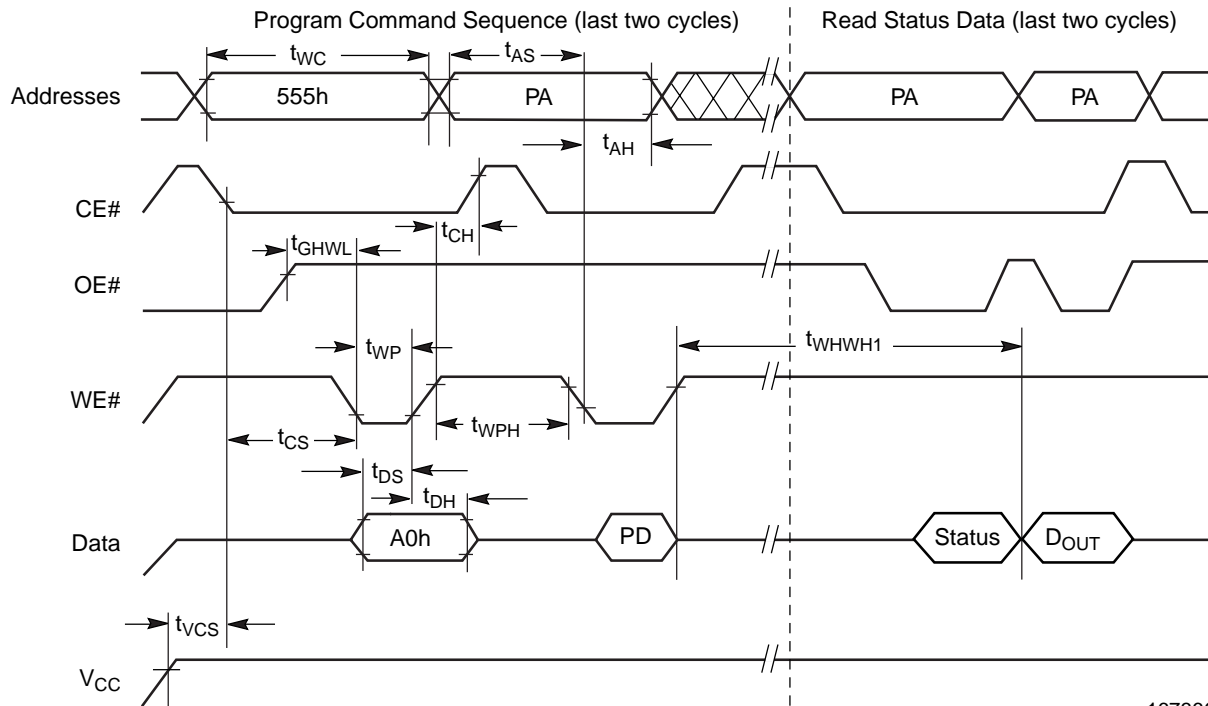
### Erase and Program Operations

| Parameter Symbol |             | Parameter Description                                |     | -45 | -55 | -70 | -90 | -120 | Unit    |
|------------------|-------------|--|-----|-----|-----|-----|-----|------|---------|
| JEDEC            | Standard    |  |     |     |     |     |     |      |         |
| $t_{AVAV}$       | $t_{WC}$    | Write Cycle Time (Note 1)                            | Min | 45  | 55  | 70  | 90  | 120  | ns      |
| $t_{AVWL}$       | $t_{AS}$    | Address Setup Time                                   | Min | 0   |     |     |     |      | ns      |
| $t_{WLAX}$       | $t_{AH}$    | Address Hold Time                                    | Min | 35  | 45  | 45  | 45  | 50   | ns      |
| $t_{DVWH}$       | $t_{DS}$    | Data Setup Time                                      | Min | 20  | 20  | 30  | 45  | 50   | ns      |
| $t_{WHDX}$       | $t_{DH}$    | Data Hold Time                                       | Min | 0   |     |     |     |      | ns      |
| $t_{GHWL}$       | $t_{GHWL}$  | Read Recover Time Before Write (OE# High to WE# Low) | Min | 0   |     |     |     |      | ns      |
| $t_{ELWL}$       | $t_{CS}$    | CE# Setup Time                                       | Min | 0   |     |     |     |      | ns      |
| $t_{WHEH}$       | $t_{CH}$    | CE# Hold Time  | Min | 0   |     |     |     |      | ns      |
| $t_{WLWH}$       | $t_{WP}$    | Write Pulse Width                                    | Min | 25  | 30  | 35  | 45  | 50   | ns      |
| $t_{WHWL}$       | $t_{WPH}$   | Write Pulse Width High                               | Min | 20  |     |     |     |      | ns      |
| $t_{WHWH1}$      | $t_{WHWH1}$ | Byte Programming Operation (Note 2)                  | Typ | 14  |     |     |     |      | $\mu$ s |
| $t_{WHWH2}$      | $t_{WHWH2}$ | Sector Erase Operation (Note 2)                      | Typ | 1.0 |     |     |     |      | sec     |
|                  | $t_{VCS}$   | $V_{CC}$ Set Up Time (Note 1)                        | Min | 50  |     |     |     |      | $\mu$ s |

**Notes:**

1. Not 100% tested.
2. See the "Erase and Programming Performance" section for more information.

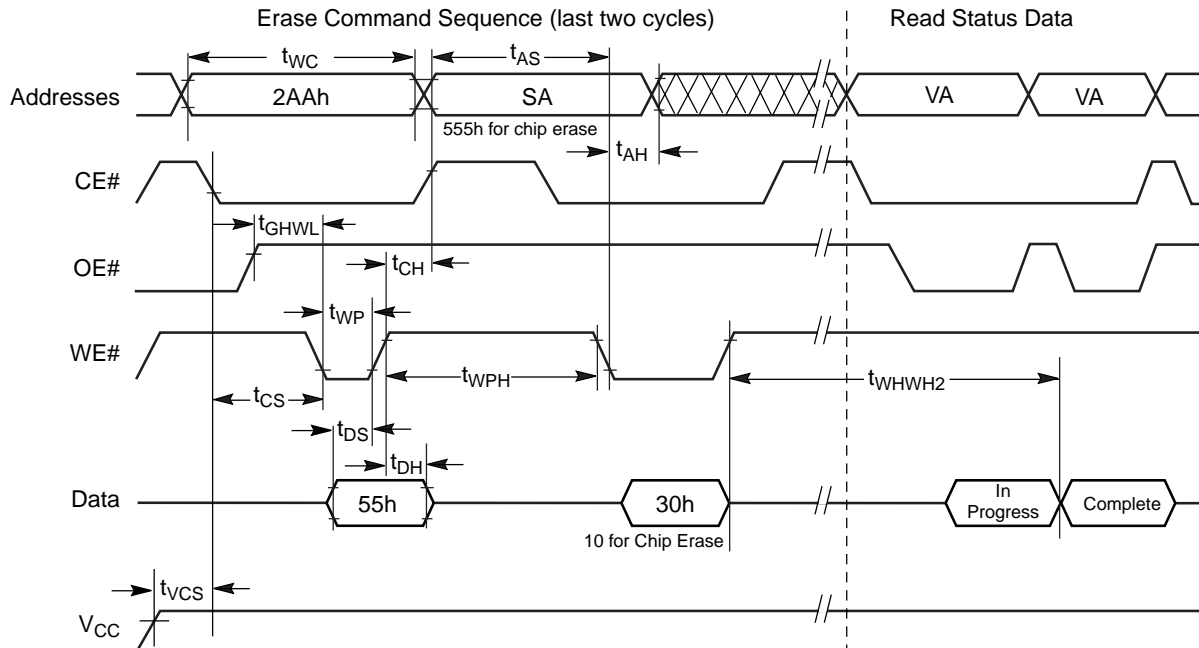
AC CHARACTERISTICS



16736G-13

Note: PA = program address, PD = program data, D<sub>OUT</sub> is the true data at the program address.

Figure 9. Program Operation Timings

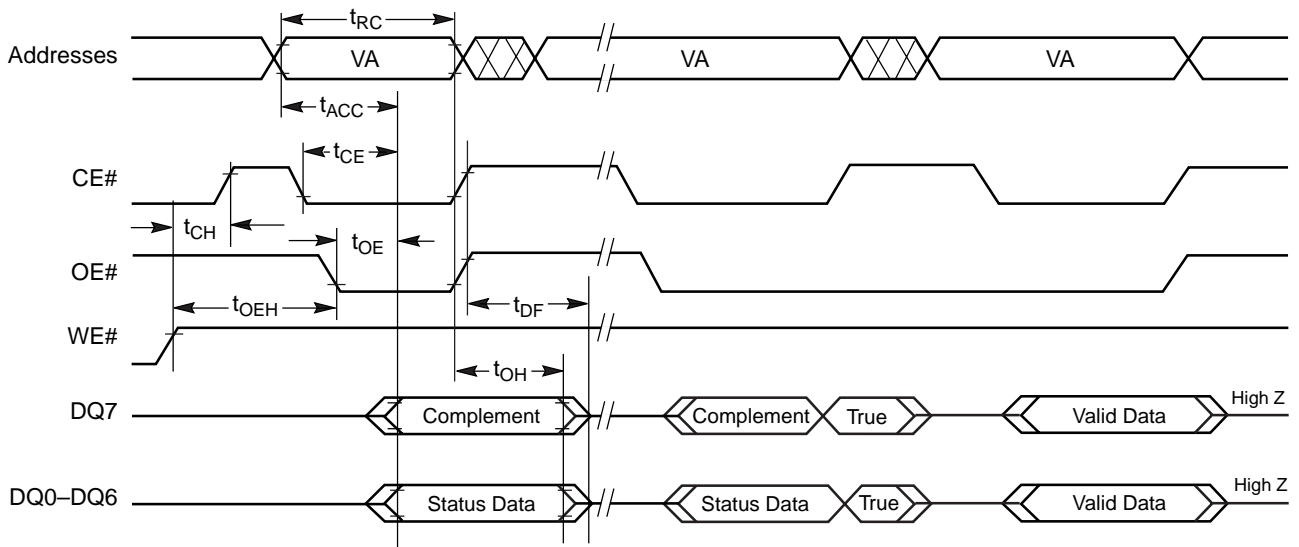


16736G-13

Note: SA = sector address (for Sector Erase), VA = Valid Address for reading status data (see "Write Operation Status").

Figure 10. Chip/Sector Erase Operation Timings

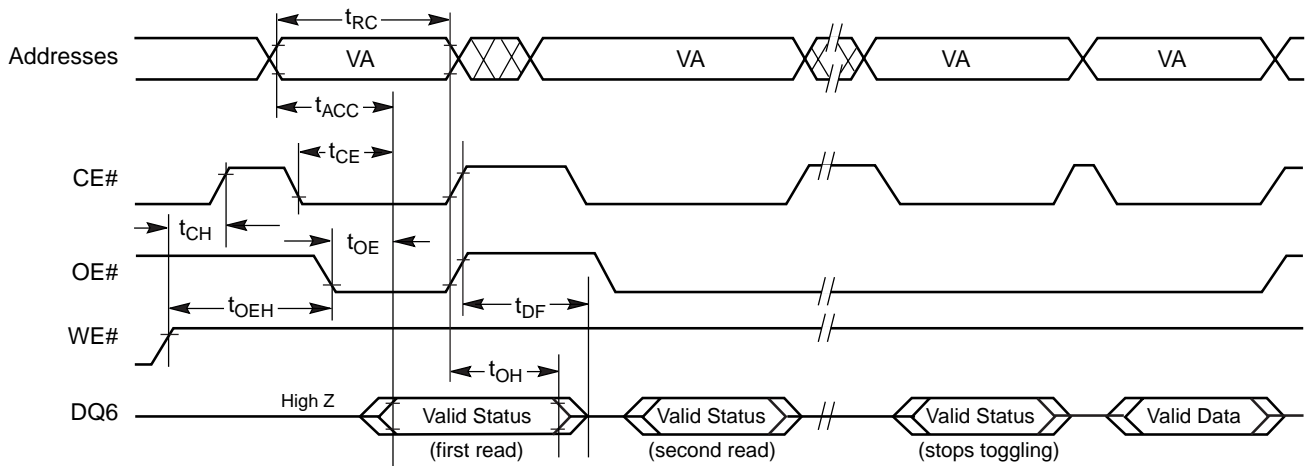
AC CHARACTERISTICS



**Note:** VA = Valid address. Illustration shows first status cycle after command sequence, last status read cycle, and array data read cycle.

16736G-15

Figure 11. Data# Polling Timings (During Embedded Algorithms)



**Note:** VA = Valid address; not required for DQ6. Illustration shows first two status cycle after command sequence, last status read cycle, and array data read cycle.

16736G-16

Figure 12. Toggle Bit Timings (During Embedded Algorithms)



## AC CHARACTERISTICS

### Erase and Program Operations

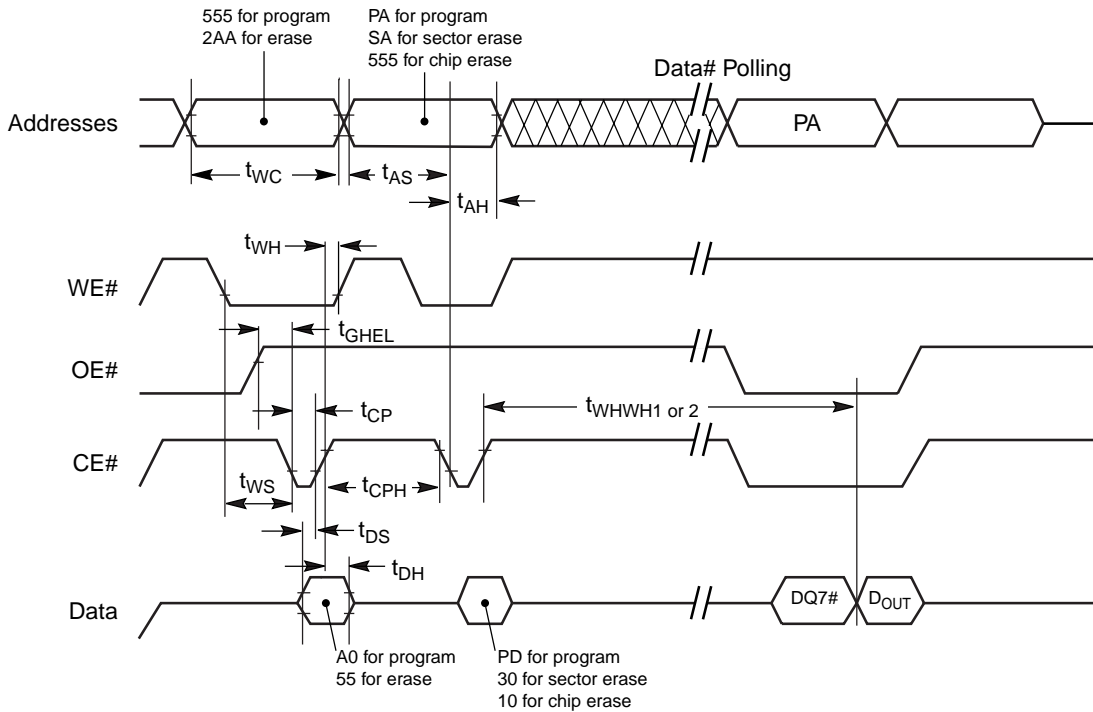
#### Alternate CE# Controlled Writes

| Parameter Symbol   |                    | Parameter Description                |     |     |    |    |    |     | Unit |
|--------------------|--------------------|--------------------------------------|-----|-----|----|----|----|-----|------|
| JEDEC              | Standard           |                                      |     |     |    |    |    |     |      |
| t <sub>AVAV</sub>  | t <sub>WC</sub>    | Write Cycle Time (Note 1)            | Min | 45  | 55 | 70 | 90 | 120 | ns   |
| t <sub>AVEL</sub>  | t <sub>AS</sub>    | Address Setup Time                   | Min | 0   |    |    |    |     | ns   |
| t <sub>ELAX</sub>  | t <sub>AH</sub>    | Address Hold Time                    | Min | 35  | 45 | 45 | 45 | 50  | ns   |
| t <sub>DVEH</sub>  | t <sub>DS</sub>    | Data Setup Time                      | Min | 20  | 20 | 30 | 45 | 50  | ns   |
| t <sub>EHDX</sub>  | t <sub>DH</sub>    | Data Hold Time                       | Min | 0   |    |    |    |     | ns   |
|                    | t <sub>OES</sub>   | Output Enable Setup Time (Note 1)    | Min | 0   |    |    |    |     | ns   |
| t <sub>GHEL</sub>  | t <sub>GHEL</sub>  | Read Recover Time Before Write       | Min | 0   |    |    |    |     | ns   |
| t <sub>WLEL</sub>  | t <sub>WS</sub>    | WE# Setup Time                       | Min | 0   |    |    |    |     | ns   |
| t <sub>EHWH</sub>  | t <sub>WH</sub>    | WE# Hold Time                        | Min | 0   |    |    |    |     | ns   |
| t <sub>ELEH</sub>  | t <sub>CP</sub>    | CE# Pulse Width                      | Min | 25  | 30 | 35 | 45 | 50  | ns   |
| t <sub>EHEL</sub>  | t <sub>CPH</sub>   | CE# Pulse Width High                 | Min | 20  |    |    |    |     | ns   |
| t <sub>WHWH1</sub> | t <sub>WHWH1</sub> | Byte Programming Operation (Note 2)  | Typ | 14  |    |    |    |     | μs   |
| t <sub>WHWH2</sub> | t <sub>WHWH2</sub> | Chip/Sector Erase Operation (Note 2) | Typ | 1.0 |    |    |    |     | sec  |

**Notes:**

1. Not 100% tested.
2. See the "Erase and Programming Performance" section for more information.

AC CHARACTERISTICS



Notes:

1. PA = Program Address, PD = Program Data, SA = Sector Address, DQ7# = Complement of Data Input, D<sub>OUT</sub> = Array Data.
2. Figure indicates the last two bus cycles of the command sequence.

16736G-17

Figure 13. Alternate CE# Controlled Write Operation Timings

ERASE AND PROGRAMMING PERFORMANCE

| Parameter                      | Limits       |              |      | Comments   |
|--------------------------------|--------------|--------------|------|--|
|                                | Typ (Note 1) | Max (Note 2) | Unit |  |
| Chip/Sector Erase Time         | 1.0          | 15           | sec  | Excludes 00h programming prior to erasure (Note 4) |
| Byte Programming Time          | 14           | 1000         | μs   | Excludes system-level overhead (Note 5)            |
| Chip Programming Time (Note 3) | 1.8          | 12.5         | sec  |  |

Notes:

1. Typical program and erase times assume the following conditions: 25°C, 5.0 V V<sub>CC</sub>, 100,000 cycles. Additionally, programming typicals assume checkerboard pattern.
2. Under worst case conditions of 90°C, V<sub>CC</sub> = 4.5 V (4.75 V for -45, -55 PDIP), 100,000 cycles.
3. The typical chip programming time is considerably less than the maximum chip programming time listed, since most bytes program faster than the maximum byte program time listed. If the maximum byte program time given is exceeded, only then does the device set DQ5 = 1. See the section on DQ5 for further information.
4. In the pre-programming step of the Embedded Erase algorithm, all bytes are programmed to 00h before erasure.
5. System-level overhead is the time required to execute the four-bus-cycle command sequence for programming. See Table 1 for further information on command definitions.
6. The device has a typical erase and program cycle endurance of 1,000,000 cycles. 100,000 cycles are guaranteed.

**LATCHUP CHARACTERISTIC**

| Parameter Description                              | Min     | Max              |
|--|---------|------------------|
| Input Voltage with respect to $V_{SS}$ on I/O pins | -1.0 V  | $V_{CC} + 1.0$ V |
| $V_{CC}$ Current                                   | -100 mA | +100 mA          |

**Note:** Includes all pins except  $V_{CC}$ . Test conditions:  $V_{CC} = 5.0$  Volt, one pin at a time.

**TSOP PIN CAPACITANCE**

| Parameter Symbol | Parameter Description   | Test Conditions | Typ | Max | Unit |
|------------------|-------------------------|-----------------|-----|-----|------|
| $C_{IN}$         | Input Capacitance       | $V_{IN} = 0$    | 6   | 7.5 | pF   |
| $C_{OUT}$        | Output Capacitance      | $V_{OUT} = 0$   | 8.5 | 12  | pF   |
| $C_{IN2}$        | Control Pin Capacitance | $V_{IN} = 0$    | 8   | 10  | pF   |

**Notes:**

1. Sampled, not 100% tested.
2. Test conditions  $T_A = 25^\circ\text{C}$ ,  $f = 1.0$  MHz.

**PLCC AND PDIP PIN CAPACITANCE**

| Parameter Symbol | Parameter Description   | Test Conditions | Typ | Max | Unit |
|------------------|-------------------------|-----------------|-----|-----|------|
| $C_{IN}$         | Input Capacitance       | $V_{IN} = 0$    | 4   | 6   | pF   |
| $C_{OUT}$        | Output Capacitance      | $V_{OUT} = 0$   | 8   | 12  | pF   |
| $C_{IN2}$        | Control Pin Capacitance | $V_{PP} = 0$    | 8   | 12  | pF   |

**Notes:**

1. Sampled, not 100% tested.
2. Test conditions  $T_A = 25^\circ\text{C}$ ,  $f = 1.0$  MHz.

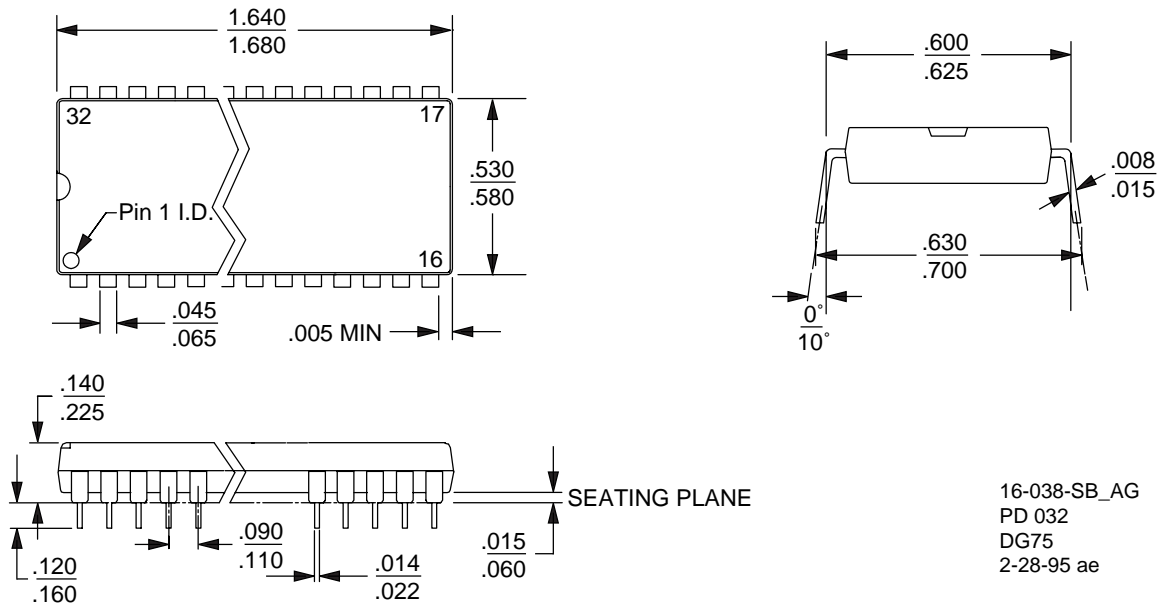
**DATA RETENTION**

| Parameter Description               | Test Conditions | Min | Unit  |
|-------------------------------------|-----------------|-----|-------|
| Minimum Pattern Data Retention Time | 150°C           | 10  | Years |
|                                     | 125°C           | 20  | Years |

PHYSICAL DIMENSIONS

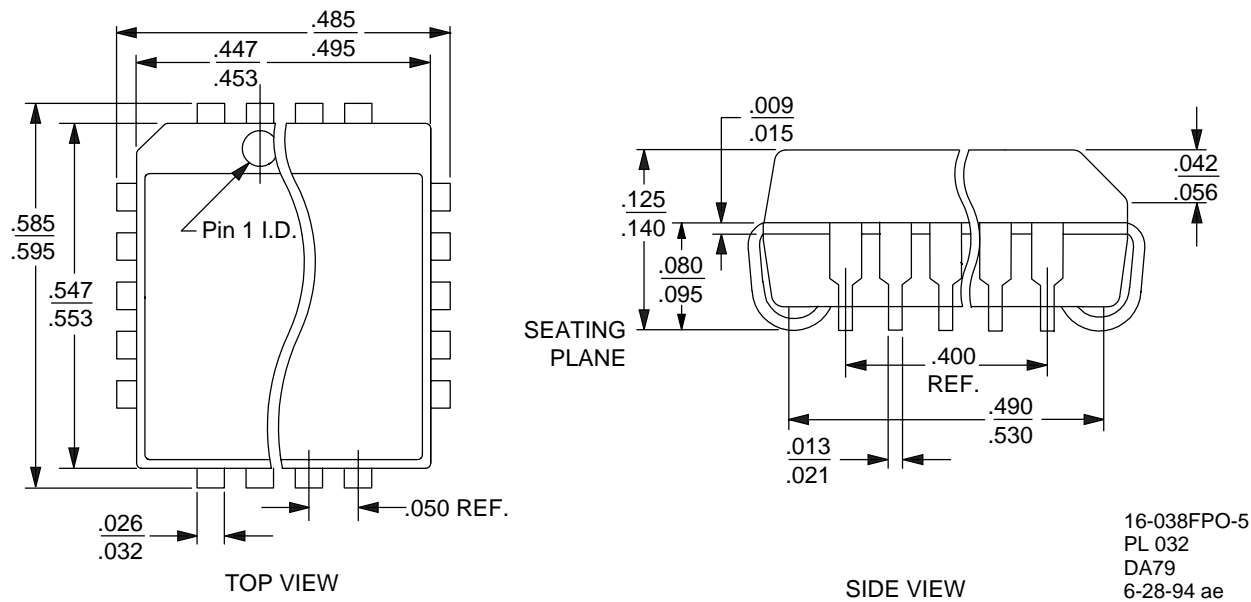
PD 032

32-Pin Plastic DIP (measured in inches)



PL 032

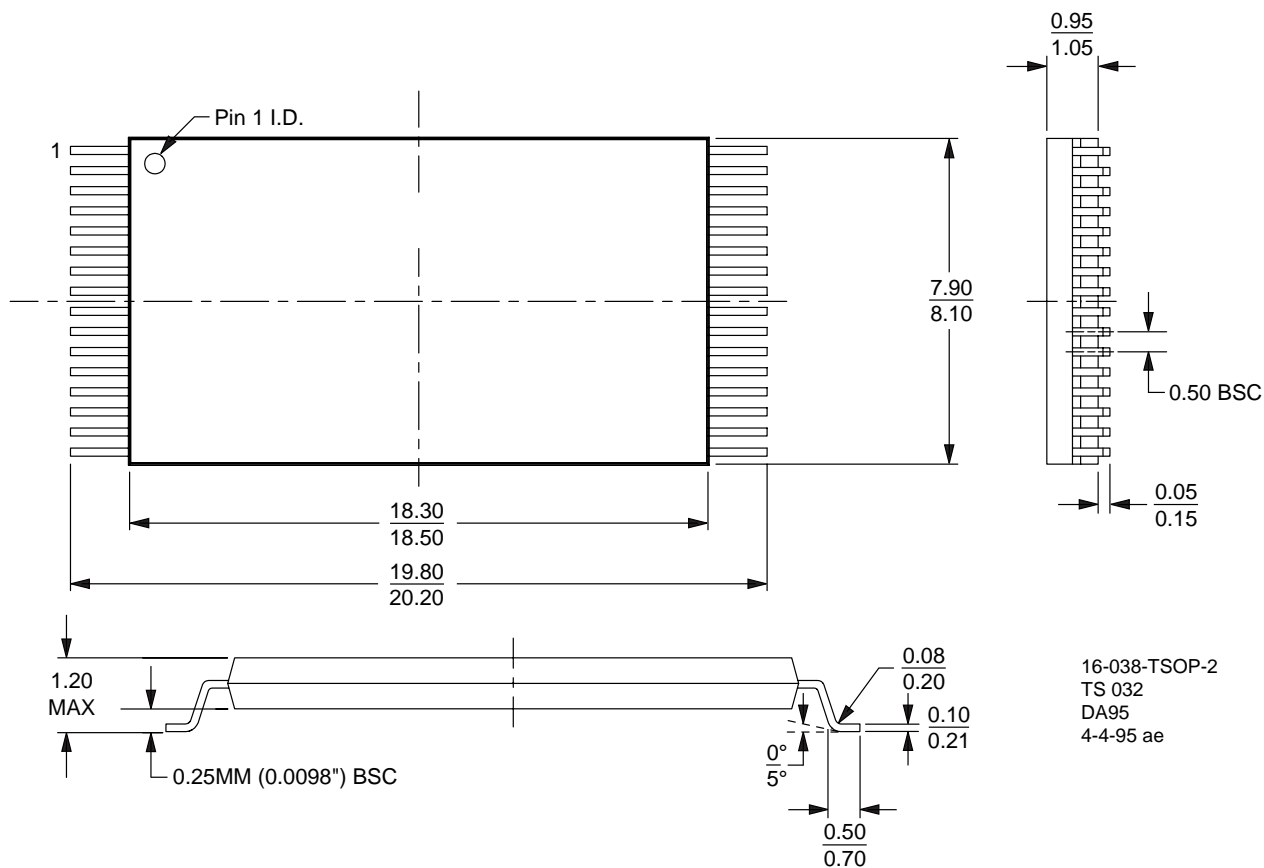
32-Pin Plastic Leaded Chip Carrier (measured in inches)



PHYSICAL DIMENSIONS (continued)

TS 032

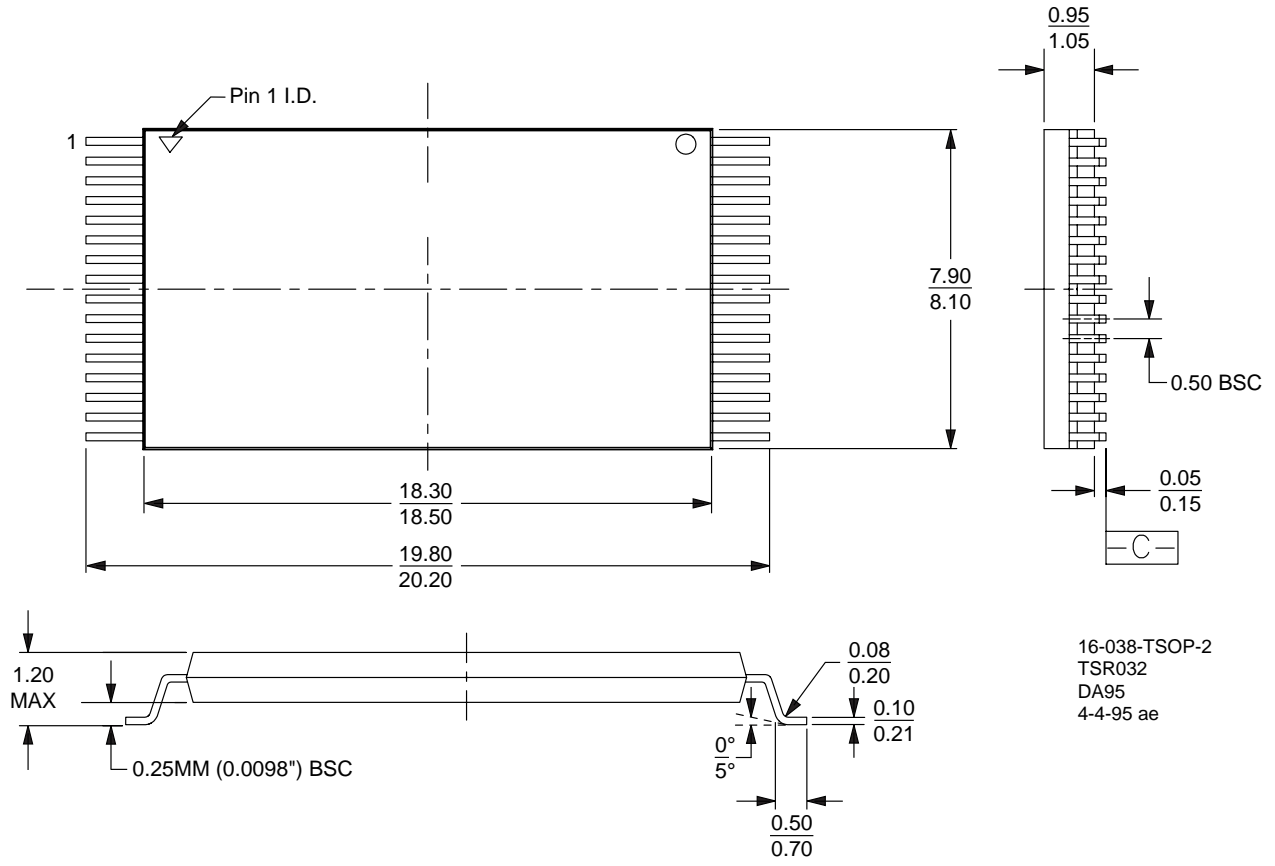
32-Pin Standard Thin Small Outline Package (measured in millimeters)



PHYSICAL DIMENSIONS (continued)

TSR 032

32-Pin Standard Thin Small Outline Package (measured in millimeters)



## REVISION SUMMARY FOR AM29F010

### Revision F+1

#### Product Selector Guide

There are now two  $V_{CC}$  supply operating ranges available for the 55 ns speed option. The PDIP package is only available in the  $\pm 5\%$   $V_{CC}$  operating range. The other packages are available in the  $\pm 10\%$  operating range.

#### Ordering Information

The 45 ns speed grade is now also available in PC configuration (PDIP package, commercial temperature.)

#### Operating Ranges

*V<sub>CC</sub> Supply Voltages:* Changed to reflect the available speed options.

#### AC Characteristics

*Write/Erase/Program Operations:* Corrected to indicate  $t_{VLHT}$ ,  $t_{OESP}$ ,  $t_{WHWH1}$ , and  $t_{WHWH2}$  are typical values, not minimum values. Changed value for  $t_{WHWH2}$ .

#### AC Characteristics

*Write/Erase/Program Operations, Alternate CE# Controlled Writes:* Corrected to indicate  $t_{WHWH1}$  and  $t_{WHWH2}$  are typical values, not minimum values. Changed value for  $t_{WHWH2}$ .

### Erase and Programming Performance

Combined chip and sector erase specifications; changed typical and maximum values. Added Note 6.

### Revision G

#### Global

Made formatting and layout consistent with other data sheets. Used updated common tables and diagrams.

### Revision G+1

#### Table 4, Command Definitions

Address bits A0–A14 are required for unlock cycles. Therefore, addresses for second and fifth write cycles are 2AAAh. Addresses for first, third, fourth, and sixth cycles are 5555h. Read cycles are not affected. Deleted Note 4 to reflect the correction.

### Revision G+2

#### AC Characteristics

*Erase/Program Operations; Erase and Program Operations Alternate CE# Controlled Writes:* Corrected the notes reference for  $t_{WHWH1}$  and  $t_{WHWH2}$ . These parameters are 100% tested. Corrected the note reference for  $t_{VCS}$ . This parameter is not 100% tested.

#### Trademarks

Copyright © 1998 Advanced Micro Devices, Inc. All rights reserved.

AMD, the AMD logo, and combinations thereof are registered trademarks of Advanced Micro Devices, Inc.

ExpressFlash is a trademark of Advanced Micro Devices, Inc.

Product names used in this publication are for identification purposes only and may be trademarks of their respective companies.

This datasheet has been downloaded from:

[www.DatasheetCatalog.com](http://www.DatasheetCatalog.com)

Datasheets for electronic components.