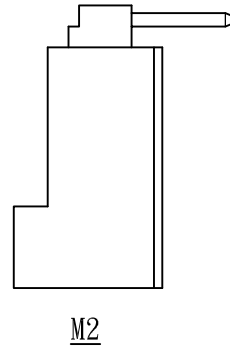
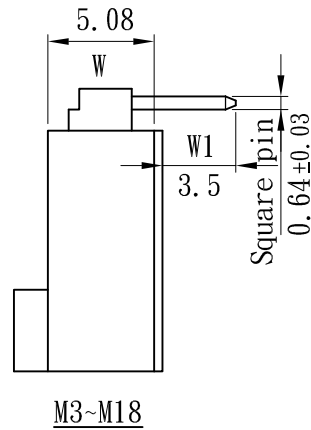
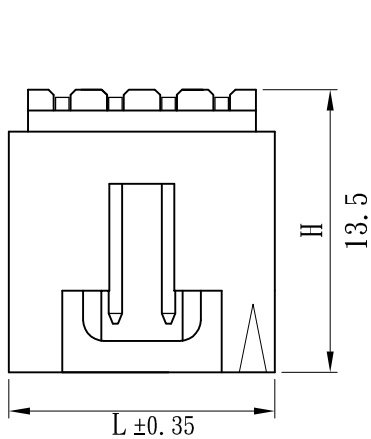
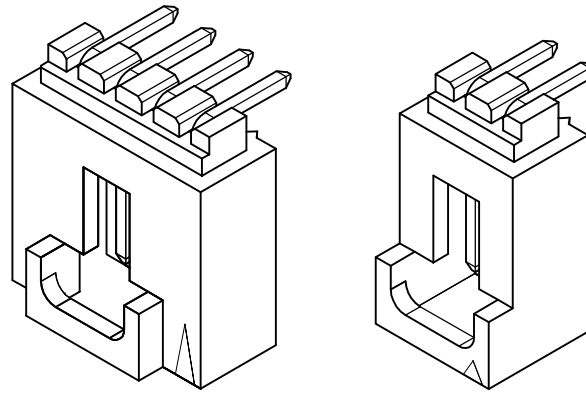
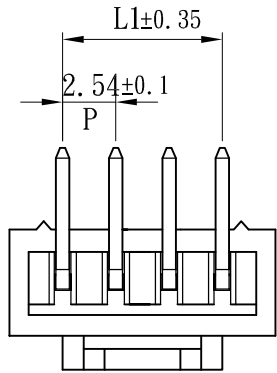
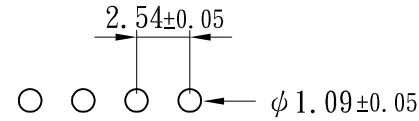


產品成品圖

Wafer (2.54mm Pitch Series)



| Part NO. | Dimension | | Q' ty/bag |
|-------------|-----------|-------|-----------|
| | L1 | L | |
| M2-I25402R | 2.54 | 7.62 | 1000 PCS |
| M3-I25402R | 5.08 | 10.16 | 1000 PCS |
| M4-I25402R | 7.62 | 12.7 | 1000 PCS |
| M5-I25402R | 10.16 | 15.24 | 1000 PCS |
| M6-I25402R | 12.7 | 17.78 | 500 PCS |
| M7-I25402R | 15.24 | 20.32 | 500 PCS |
| M8-I25402R | 17.78 | 22.86 | 500 PCS |
| M9-I25402R | 20.32 | 25.4 | 500 PCS |
| M10-I25402R | 22.86 | 27.94 | 500 PCS |
| M11-I25402R | 25.4 | 30.48 | 500 PCS |
| M12-I25402R | 27.94 | 33.02 | 250 PCS |
| M13-I25402R | 30.48 | 35.56 | 250 PCS |
| M14-I25402R | 33.02 | 38.1 | 250 PCS |
| M15-I25402R | 35.56 | 40.64 | 250 PCS |
| M16-I25402R | 38.1 | 43.18 | 250 PCS |
| M17-I25402R | 40.64 | 45.72 | 250 PCS |
| M18-I25402R | 43.18 | 48.26 | 250 PCS |



Recommended P.C. Board Hole Layout
Recommended P.C.B Thickness: 1.57mm

顏色(Color): 黑色(Black)

PIN 材質(PIN Material):
黃銅(Brass)

表面處理(Surface treatment):
鍍金(Gold flash)

配合端子(Mates with terminal):
I25402PS

配合塑膠(Mates with housing):
P2-I25402

此產品須符合RoHS指令要求
(The product must conform to
the RoHS directive)

威力盛精工股份有限公司

WST WELI SHENG INDUSTRIAL CO., LTD.

| | | | | | | | |
|--------------|------------------------------|-----------------|--|---------------------|----------------------|---------------------|--------------------------------------|
| UL NO: | CSA NO: | TUV NO: | 名稱(Name): 產品規格(Product specifications) | | | 核發單位 (Issued by) | 制定單位 (Instituted by) |
| | | | 編號(Part No.): M#-I25402R | | | | |
| | | | 材質(Material): PBT UL94 V-0 | | | | |
| △ | 圖面格式更新 | 2 | 14-May-2012 | 核准 (Approved by) | 審查 (Confirmed by) | 制定 (Drawn by) | 單位(Unit):mm 比例(Scale): 3:1 |
| | | 1 | 91.05.28 | 高宏明 | 許仁義 | 黃莉雯 | 第三角法 (Projection): |
| 記號 (Sign) | 變更內容 (Change description) | 版次 (Edition) | 制修訂日期 (Drawn date) | | | | 一般公差 (General tolerance): ±0.3 |