

Product features

Broadband, small volume.

Main specifications

Parameters	Min	Typical	Max	Units
Frequency	DC	~	6	GHz
IL			6.5	dB
Isolation		11		dB
Input VSWR		1.3		
Output VSWR		1.8		
Amplitude balance		0.3		dB
Phase balance		5		°

Other parameters

Power	1W Design assurance
way	2-way
Phase	0°
Impedance	50Ω
Connector	SMA-K
Connector material	Stainless steel
Product shell material	Aluminium
Work Temp.	-40~+85°C Design assurance

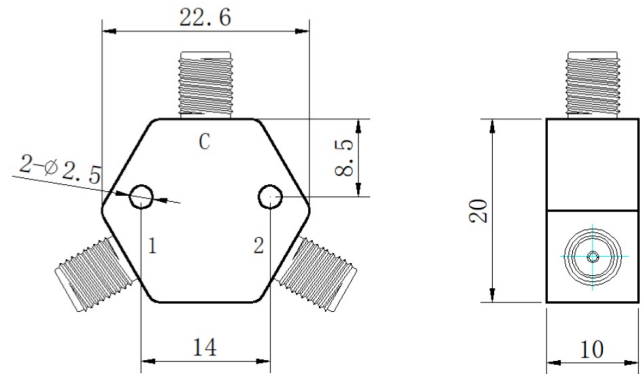
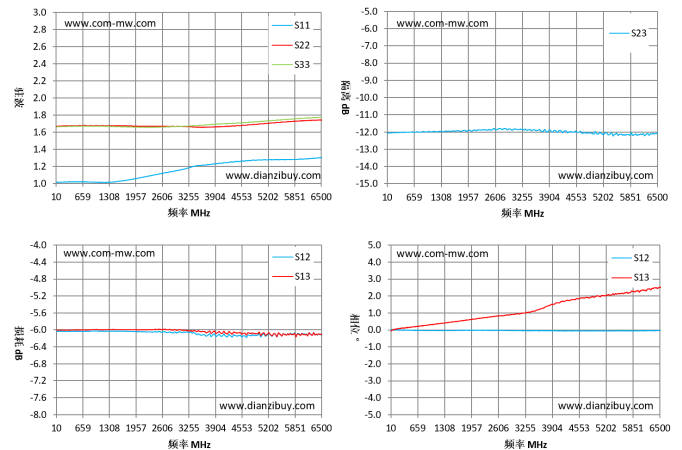
Port Definition

Common port	C
Dispatch Port	1 2

Typical test data

Frequency MHz	S11 VSWR	S22 VSWR	S12 IL dB	S23 ISO dB	S13 Phase (°)
10	1.01	1.66	-6.04	-12.08	-0.08
474	1.02	1.68	-6.03	-12.02	0.14
937	1.01	1.67	-6.03	-12.02	0.29
1401	1.01	1.67	-6.03	-11.96	0.43
1864	1.05	1.67	-6.04	-11.91	0.58
2328	1.09	1.67	-6.05	-11.87	0.72
2791	1.13	1.66	-6.05	-11.84	0.87
3255	1.18	1.66	-6.06	-11.84	0.99
3719	1.22	1.66	-6.12	-11.96	1.32
4182	1.24	1.67	-6.16	-11.93	1.66
4646	1.26	1.68	-6.16	-11.96	1.88
5109	1.28	1.7	-6.12	-12.03	2.02
5573	1.28	1.72	-6.09	-12.17	2.14
6036	1.28	1.73	-6.09	-12.16	2.31
6500	1.3	1.74	-6.12	-12.06	2.48

Reference picture

Configuration(mm)

Typical test curve

Note

1	Please do not wash the product in the cleaning solution.,Please do not wash the product in the cleaning solution.
2	If the temperature is higher than 125°C, consult with us before ordering.