

MIL-C-5015 series Connector

- [Product solid picture](#)
- [Brief introduction](#)
- [how to order](#)
- [Product Outline Dimensions](#)
- [Contact Arrangements](#)
- [Environmental Condition](#)

Product solid picture

top
↑



Brief introduction

top
↑

1. According to the structure of MIL-C-5015 series
2. Medium to heavy weight cylindrical
3. Durable, field-proven design
4. Environmental resistant
5. Resilient inserts
6. Operating voltage to 3000 VAC (RMS) at sea level
7. Threaded couplings
8. Single key/keyway shell polarization
9. Cost effective

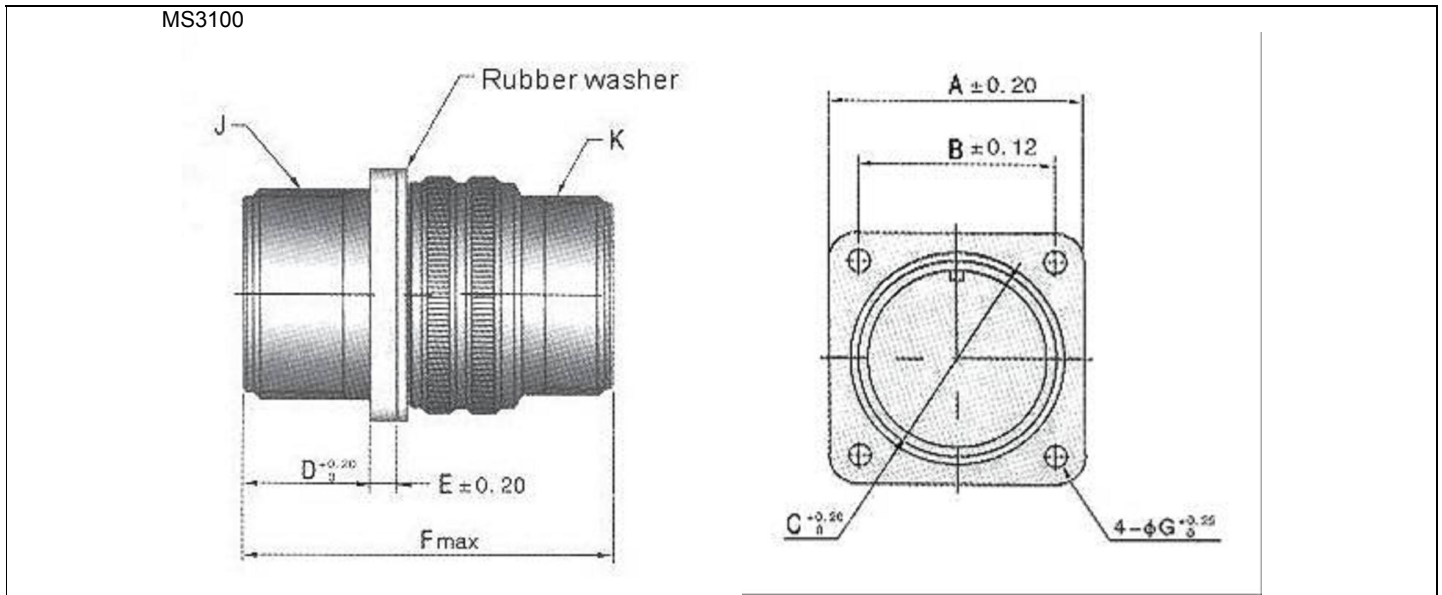
how to order

top
↑

MS 3100 A 20 – 27 P W
(1) (2) (3) (4) (5) (6) (7)
(1) : MS—Series Prefix
(2) : type:3100-wall mounting receptacle
3101-cable connecting receptacle
3102-box mounting receptacle
3106- straight plug
3108- 90 degree plug
(3) : Service class:A- solid shell for general, non-environmental applications
B-split Shell
C –solid shell for pressurized applications
E –environmental resisting
F environmental resisting with strain relief (MS part number only)
R –lightweight environmental resisting

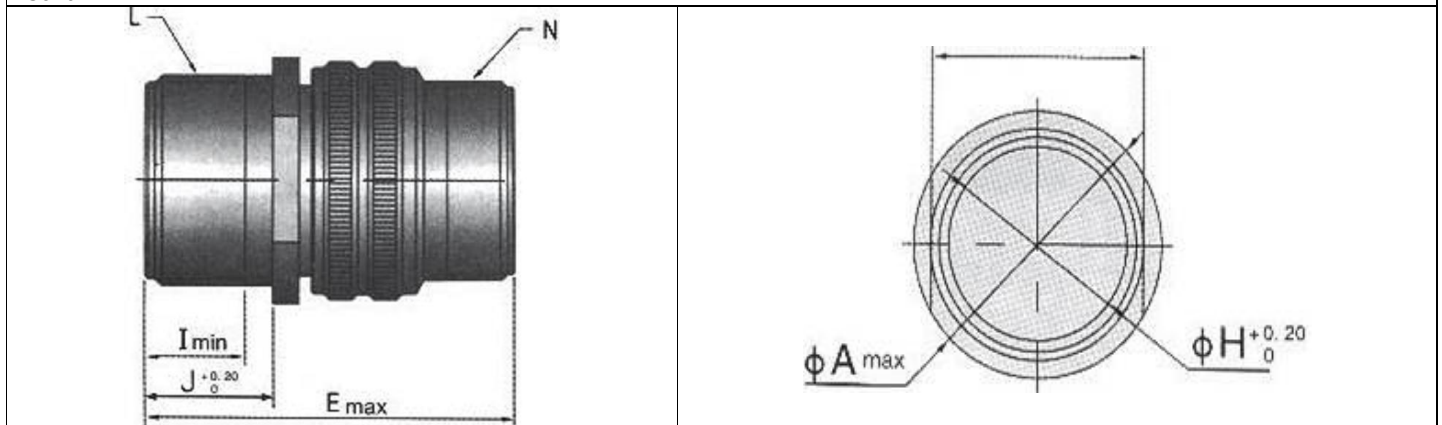
- (4) : Shell size :08-10-12-14-16-18-20-22-24
 (5) : Insert arrangement: Please see the figure of insert arrangement
 (6) : Contact :P-pin contact ,S-socket contact
 (7) : Key: N- normal key ; W、X、Y、Z- alternative key

Product Outline Dimensions

top
↑

Shell size	A	B	ϕC	D	E	F	ϕG	J	K
10S	25.40	18.26	11.6	14.3	3.00	38.88	3.05	5/8-24 UNEF -2A	1/2-28 UNEF -2A
10SL	25.40	18.26	11.6	14.3	3.00	38.88	3.05	5/8-24 UNEF -2A	5/8-24 UNEF -2A
12S	27.79	20.62	14.4	14.3	3.00	42.87	3.05	3/4-20 UNEF -2A	5/8-24 UNEF -2A
12	27.79	20.62	14.4	19.05	3.00	52.37	3.05	3/4-20 UNEF -2A	5/8-24 UNEF -2A
14S	30.18	23.01	17.45	14.3	3.00	42.87	3.05	7/8-20 UNEF -2A	3/4-20 UNEF -2A
14	30.18	23.01	17.45	19.05	3.00	52.37	3.05	7/8-20 UNEF -2A	3/4-20 UNEF -2A
16S	32.54	24.61	20.75	14.3	3.00	42.87	3.05	1-20 UNEF -2A	7/8-20 UNEF -2A
16	32.54	24.61	20.75	19.05	3.00	52.37	3.05	1-20 UNEF -2A	7/8-20 UNEF -2A
18	32.54	26.97	23.9	19.05	4.00	52.37	3.05	1 1/8-18 UNEF -2A	1-20 UNEF -2A
20	38.10	29.36	26.95	19.05	4.00	55.57	3.05	1 1/4-18 UNEF -2A	1 3/16-18 UNEF -2A
22	41.28	31.75	30.15	19.05	4.00	55.57	3.05	1 3/8-18 UNEF -2A	1 3/16-18 UNEF -2A
24	44.45	34.93	33.3	20.63	4.00	58.72	3.73	1 1/2-18 UNEF -2A	1 7/16-18 UNEF -2A
28	50.80	39.67	38.9	20.63	4.00	58.72	3.73	1 3/4-18 UNEF -2A	1 7/16-18 UNEF -2A

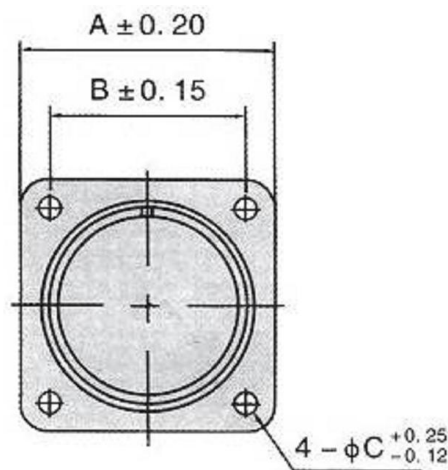
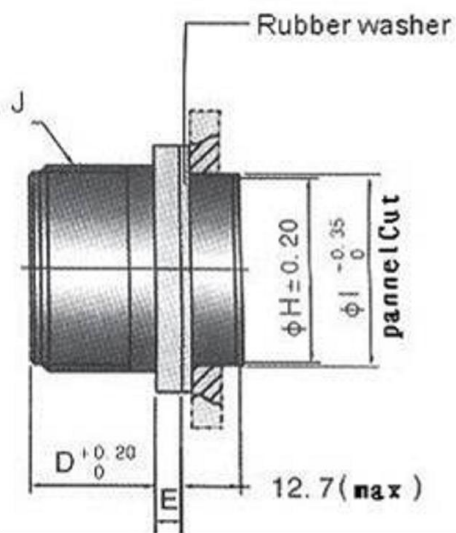
MS3101



Shell size	$\square A$	E	ϕH	I	J	L Scerwthread	N Scerwthread
10S	24.61	38.88	11.6	9.53	14.3	5/8-24 UNEF -2A	1/2-28 UNEF -2A
10SL	24.61	38.88	11.6	9.53	14.3	5/8-24 UNEF -2A	5/8-24 UNEF -2A
12S	26.97	42.87	14.4	9.53	14.3	3/4-20 UNEF -2A	5/8-24 UNEF -2A
12	26.97	52.37	14.4	15.88	19.05	3/4-20 UNEF -2A	5/8-24 UNEF -2A
14S	29.36	42.87	17.45	9.53	14.3	7/8-20 UNEF -2A	3/4-20 UNEF -2A
14	29.36	52.37	17.45	15.88	19.05	7/8-20 UNEF -2A	3/4-20 UNEF -2A
16S	31.75	42.87	20.75	9.53	14.3	1-20 UNEF -2A	7/8-20 UNEF -2A

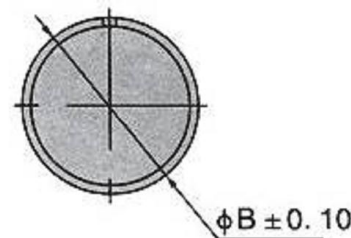
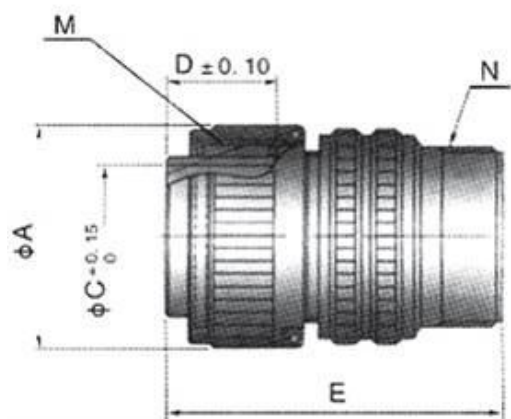
16	31.75	52.37	20.75	15.88	19.05	1-20 UNEF -2A	7 / 8 -20 UNEF -2A
18	34.13	52.37	23.9	15.88	19.05	1 1 / 8 -18 UNEF -2A	1-20 UNEF -2A
20	37.31	55.57	26.95	15.88	19.05	1 1 / 4 -18 UNEF -2A	1 3 / 16 -18 UNEF -2A
22	40.48	55.57	30.15	15.88	19.05	1 3 / 8 -18 UNEF -2A	1 3 / 16 -18 UNEF -2A
24	43.66	58.72	33.3	15.88	20.63	1 1 / 2 -18 UNEF -2A	1 7 / 16 -18 UNEF -2A
28	50.01	58.72	38.9	15.88	20.63	1 3 / 4 -18 UNEF -2A	1 7 / 16 -18 UNEF -2A

MS3102



Shell size	A	B	φ C	D	E	Φ H (HMS3102)	Φ I (HMS3102)	Φ H (HMS3102E)	Φ I (HMS3102E)	J Scerwthread
10S	25.40	18.26	3.05	14.28	3.00	16.66	17.47	14	14.8	5 / 8 -24 UNEF -2A
10SL	25.40	18.26	3.05	14.28	3.00	16.66	17.47	16	16.8	5 / 8 -24 UNEF -2A
12S	27.80	20.62	3.05	14.28	3.00	19.35	20.62	17	17.8	3 / 4 -20 UNEF -2A
12	27.80	20.62	3.05	19.05	3.00	19.35	20.62	17	17.8	3 / 4 -20 UNEF -2A
14S	30.20	23.01	3.05	14.28	3.00	23.01	23.83	21	21.8	7 / 8 -20 UNEF -2A
14	30.20	23.01	3.05	19.05	3.00	23.01	23.83	21	21.8	7 / 8 -20 UNEF -2A
16S	32.50	24.61	3.05	14.28	3.00	26.21	26.97	24	24.8	1-20 UNEF -2A
16	32.50	24.61	3.05	19.05	3.00	26.21	26.97	24	24.8	1-20 UNEF -2A
18	34.90	26.97	3.05	19.05	4.00	29.36	30.18	25.1	26	1 1 / 8 -18 UNEF -2A
20	38.10	29.36	3.05	19.05	4.00	32.56	33.32	29.3	30	1 1 / 4 -18 UNEF -2A
22	41.30	31.75	3.05	19.05	4.00	35.71	36.53	32.1	33	1 3 / 8 -18 UNEF -2A
24	44.50	34.93	3.73	20.63	4.00	38.91	39.67	37	37.8	1 1 / 2 -18 UNEF -2A
28	50.80	39.67	3.73	20.63	4.00	45.26	46.02	43	43.8	1 3 / 4 -18 UNEF -2A

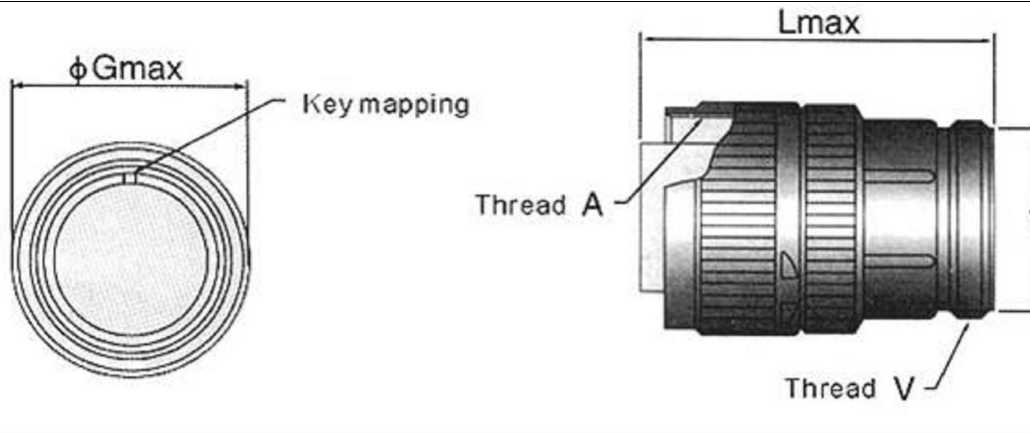
MS3106A



Shell size	φ A	φ B	φ C	D	E	M Scerwthread	N Scerwthread
8S	21.43	9.3	6.41	13.49	37.30	1 / 2 -28 UNEF-2B	1 / 2 -28 UNEF -2A
10S	24.61	11.17	8.21	13.49	38.88	5 / 8 -24 UNEF-2B	1 / 2 -28 UNEF -2A
10SL	24.61	11.33	9.6	13.49	38.88	5 / 8 -24 UNEF-2B	5 / 8 -24 UNEF -2A
12S	26.97	14.10	11.43	13.49	42.87	3 / 4 -20 UNEF-2B	5 / 8 -24 UNEF -2A
12	29.36	14.10	11.43	18.26	52.37	3 / 4 -20 UNEF-2B	5 / 8 -24 UNEF -2A
14S	29.36	17.15	13.37	13.49	42.87	7 / 8 -20 UNEF-2B	3 / 4 -20 UNEF -2A
14	29.36	17.15	13.37	18.26	52.37	7 / 8 -20 UNEF-2B	3 / 4 -20 UNEF -2A
16S	31.75	20.45	16.54	13.49	42.87	1-20 UNEF-2B	7 / 8 -20 UNEF -2A
16	31.75	20.45	16.54	18.26	52.37	1-20 UNEF-2B	7 / 8 -20 UNEF -2A

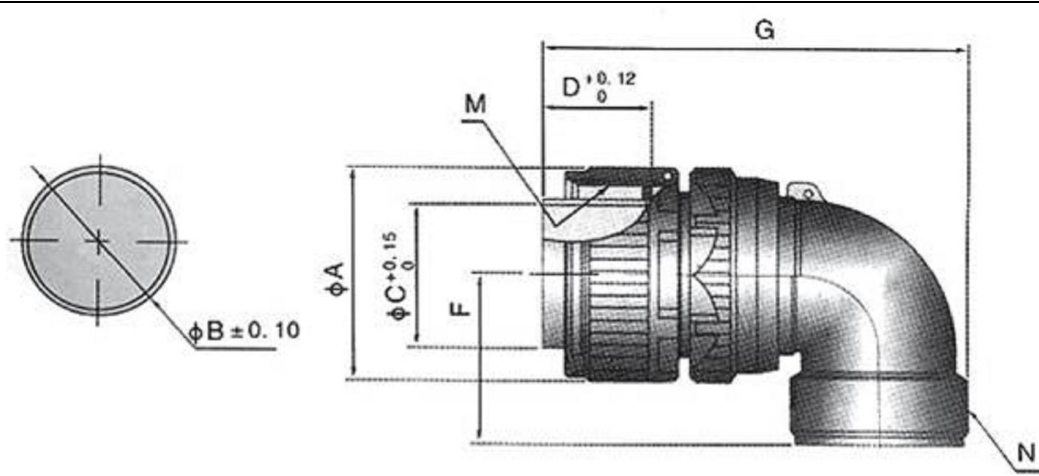
18	34.13	23.62	19.72	18.26	52.37	1 1/8 -18 UNEF-2B	1-20 UNEF -2A
20	37.31	26.67	23.68	18.26	55.57	1 1/4 -18 UNEF-2B	1 3/16 -18 UNEF -2A
22	40.48	29.85	26.07	18.26	55.57	1 3/8 -18 UNEF-2B	1 3/16 -18 UNEF -2A
24	43.66	33.02	29.24	18.26	58.72	1 1/2 -18 UNEF-2B	1 7/16 -18 UNEF -2A
28	50.01	39.61	34.80	18.26	58.72	1 3/4 -18 UNEF-2B	1 7/16 -18 UNEF -2A

MS3106B



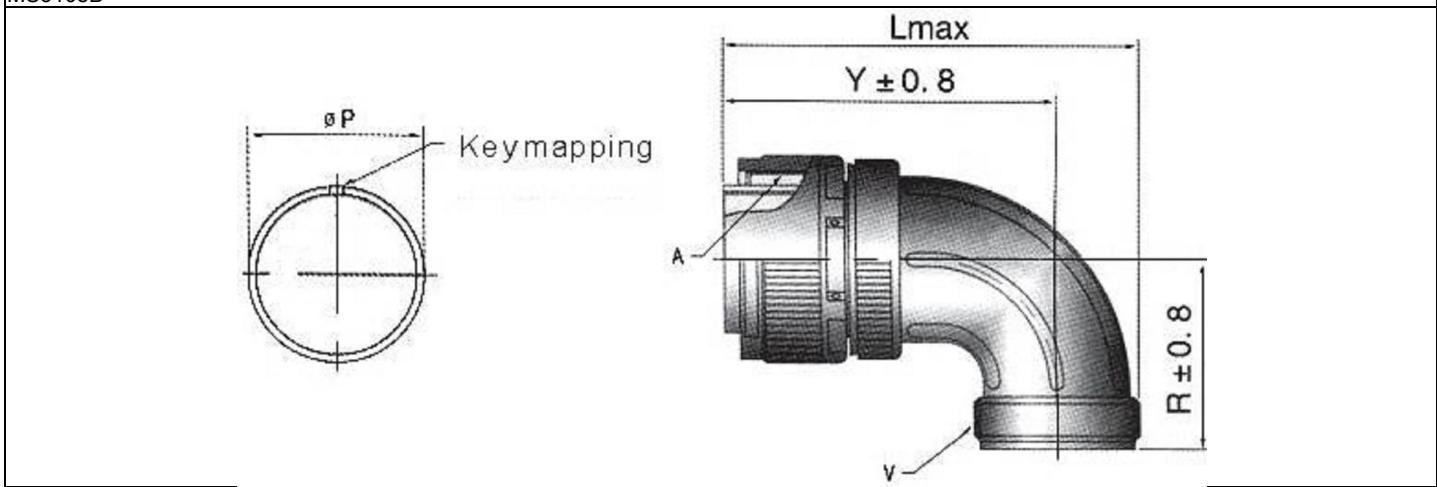
Shell size	G	L	A	V
8S	21.43	37.30	1/2 -28 UNEF-2B	1/2 -28 UNEF -2A
10S	24.61	38.88	5/8 -24 UNEF-2B	1/2 -28 UNEF -2A
10L	24.61	38.88	5/8 -24 UNEF-2B	5/8 -24 UNEF -2A
12S	26.97	42.87	3/4 -20 UNEF-2B	5/8 -24 UNEF -2A
12	26.97	52.37	3/4 -20 UNEF-2B	5/8 -24 UNEF -2A
14S	29.36	42.87	7/8 -20 UNEF-2B	3/4 -20 UNEF -2A
14	29.36	52.37	7/8 -20 UNEF-2B	3/4 -20 UNEF -2A
16S	31.75	42.87	1-20 UNEF-2B	7/8 -20 UNEF -2A
16	31.75	52.37	1-20 UNEF-2B	7/8 -20 UNEF -2A
18	34.13	52.37	1 1/8 -18 UNEF-2B	1-20 UNEF -2A
20	37.31	55.57	1 1/4 -18 UNEF-2B	1 3/16 -18 UNEF -2A
22	40.48	55.57	1 3/8 -18 UNEF-2B	1 3/16 -18 UNEF -2A
24	43.66	58.72	1 1/2 -18 UNEF-2B	1 7/16 -18 UNEF -2A
28	50.01	58.72	1 3/4 -18 UNEF-2B	1 7/16 -18 UNEF -2A

MS3108A



Shell size	ϕA	ϕB	ϕC	D	F	G	M Scerwthread	N Scerwthread
8S	21.43	9.3	6.41	13.49	23.77	44.45	1/2 -28 UNEF-2B	1/2 -28 UNEF -2A
10S	24.61	11.17	8.21	13.49	25.40	44.45	5/8 -24 UNEF-2B	1/2 -28 UNEF -2A
10SL	24.61	11.33	9.6	13.49	25.40	46.02	5/8 -24 UNEF-2B	5/8 -24 UNEF -2A
12S	26.97	14.10	11.43	13.49	26.97	50.80	3/4 -20 UNEF-2B	5/8 -24 UNEF -2A
12	26.97	14.10	11.43	18.26	26.97	57.15	3/4 -20 UNEF-2B	5/8 -24 UNEF -2A
14S	29.36	17.15	13.37	13.49	28.57	53.97	7/8 -20 UNEF-2B	3/4 -20 UNEF -2A
14	29.36	17.15	13.37	18.26	28.57	58.72	7/8 -20 UNEF-2B	3/4 -20 UNEF -2A
16S	31.75	20.45	16.54	13.49	30.17	60.32	1-20 UNEF-2B	7/8 -20 UNEF -2A
16	31.75	20.45	16.54	18.26	30.17	65.07	1-20 UNEF-2B	7/8 -20 UNEF -2A
18	34.13	23.62	19.72	18.26	33.32	68.27	1 1/8 -18 UNEF-2B	1-20 UNEF -2A
20	37.31	26.67	23.68	18.26	34.92	76.98	1 1/4 -18 UNEF-2B	1 3/16 -18 UNEF -2A
22	40.48	29.85	26.07	18.26	34.92	86.51	1 3/8 -18 UNEF-2B	1 3/16 -18 UNEF -2A
24	43.66	33.02	29.24	18.26	39.67	86.51	1 1/2 -18 UNEF-2B	1 7/16 -18 UNEF -2A

28	50.01	38.61	34.80	18.26	39.67	93.98	1 3 / 4 -18 UNEF-2B	1 7 / 16 -18 UNEF -2A
----	-------	-------	-------	-------	-------	-------	---------------------	-----------------------

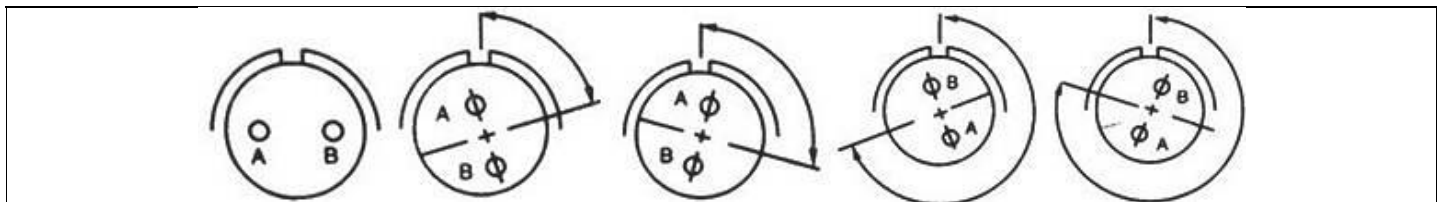


1 1 / 8 -18 UNEF-2B
24

Shell size	L	P	R	Y	A Scerwthread	V Scerwthread
8S	44.45	21.43	23.77	38.1	1 / 2 -28 UNEF-2B	1 / 2 -28 UNEF -2A
10S	44.45	24.61	25.4	38.1	5 / 8 -24 UNEF-2B	5 / 8 -28 UNEF -2A
10SL	46.02	24.61	25.4	38.1	5 / 8 -24 UNEF-2B	5 / 8 -24 UNEF -2A
12S	50.08	26.97	26.97	42.87	3 / 4 -20 UNEF-2B	5 / 8 -24 UNEF -2A
12	57.15	26.97	26.97	49.22	3 / 4 -20 UNEF-2B	5 / 8 -24 UNEF -2A
14S	53.97	29.36	28.57	44.45	7 / 8 -20 UNEF-2B	3 / 4 -20 UNEF -2A
14	58.72	29.36	28.57	49.22	7 / 8 -20 UNEF-2B	3 / 4 -20 UNEF -2A
16S	60.32	31.75	30.17	49.22	1-20 UNEF-2B	7 / 8 -20 UNEF -2A
16	65.07	31.75	30.17	53.97	1-20 UNEF-2B	7 / 8 -20 UNEF -2A
18	68.27	34.13	33.32	55.57	1-20 UNEF -2A	
20	76.98	37.31 <./DIV>	34.92	61.92	1 1 / 4 -18 UNEF-2B	1 3 / 16 -18 UNEF -2A
22	86.51	40.48	34.92	61.92	1 3 / 8 -18 UNEF-2B	1 3 / 16 -18 UNEF -2A
86.51	43.66	39.67	68.27	1 1 / 2 -18 UNEF-2B	1 7 / 16 -18 UNEF -2A	
28	93.98	50.01	39.67	68.27	1 3 / 4 -18 UNEF-2B	1 7 / 16 -18 UNEF -2A

Contact Arrangements

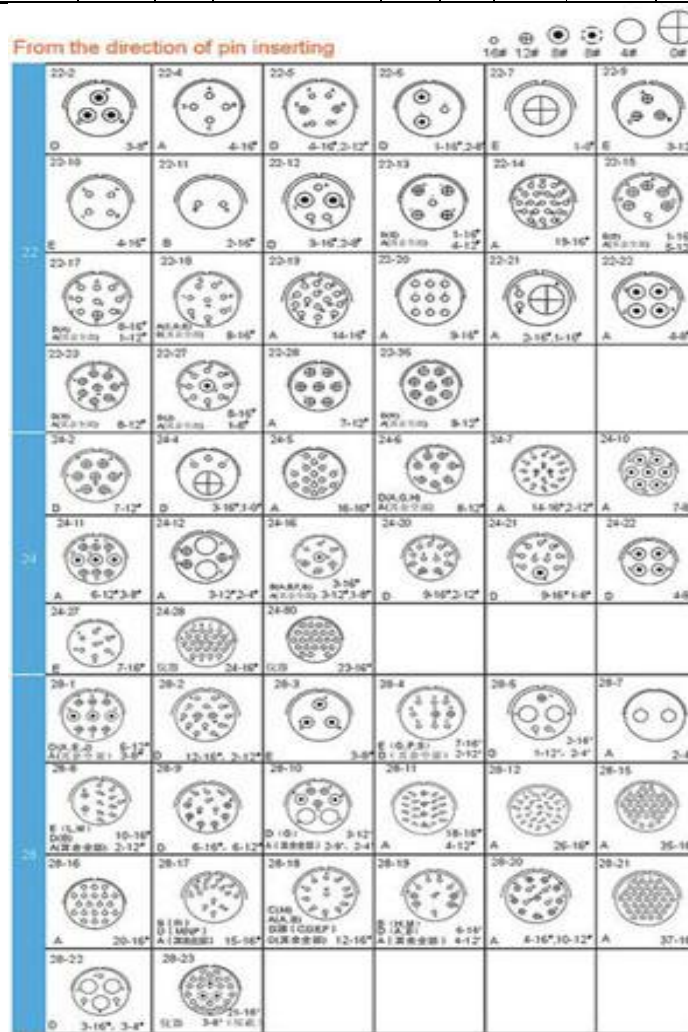
top
↑

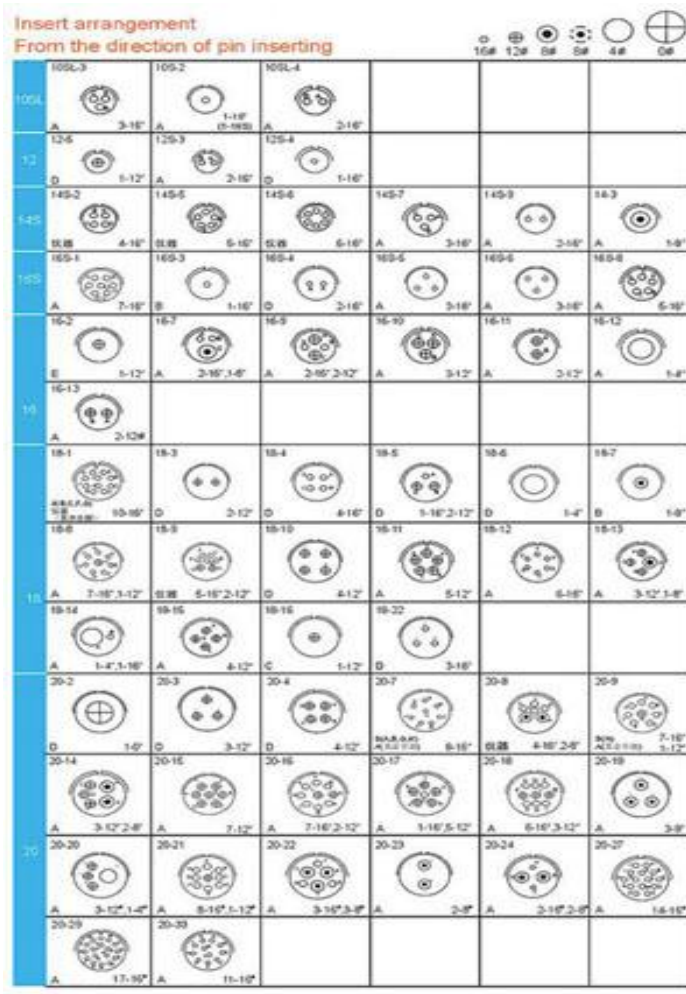


Insert amangemen	Rank	Number of contacts	Contact specification					Revolving angle			
			0	4	8	12	16	W	X	Y	Z
10S-2	A	1									
10SL-3	A	3					3			215	290
12S-3	A	2					2	70	145	215	290
12S-4	D	1					1				
12-5	D	1				1					
14S-2	Instrument	4					4		120	240	
14S-5	Instrument	5					5		110		
14S-6	Instrument	6					6				
14S-7	A	3					3	90	180	270	
14S-9	A	2					2	70	145	215	290
14-3	A	1			1						
16S-1	A	7					7	80			280
16S-3	B	1					1				
16S-4	D	2					2	35	110	250	325
16S-5	A	3					3	70	145	215	290
16S-6	A	3					3	90	180	270	
16S-8	A	5					5		170	265	
16-2	E	1				1					

16-7	A	3			1		2	80	110	250	320	
16-9	A	4					2	2	35	110	250	325
16-10	A	3					3		90	180	270	
16-11	A	2					2		35	110	250	325
16-12	A	1		1			2		35	110	250	325
16-13	A	2						10	70	145	215	290
18-1	Instrument	10					2		35	110	250	325
18-3	D	2					4	4	35	110	250	325
18-4	D	4										
18-5	D	3					2	1	80	110	250	280
18-6	D	1										
18-7	B	1			1							
18-8	A	8					1	7	70			290
18-9	Instrument	7					2	5	80	110	250	280
18-10	A	4					4			120	240	
18-11	A	5						5		170	200	
18-12	A	6						6	80			280
18-13	A	4			1		3		80	110	250	280
18-14	A	2		1				1	80	110	250	280
18-15	A	4					4			120	240	
18-16	C	1					1					
18-22	D	3						3	70	145	215	290
20-2	D	1		1								
20-3	D	3					3		70	145	215	290
20-4	D	4					4		45	110	250	
20-7	D/A	8						8	80	110	250	280
20-8	Instrument	6			2			4	80	110	250	280
20-9	D/A	8					1	7	80	110	250	280
20-14	A	5			2		3		80	110	250	280
20-15	A	7						7	80			280
20-16	A	9					2	7	80	110	250	280
20-17	A	6					5	1	90	180	270	
20-18	A	9					3	6	35	110	250	325
20-19	A	3					3		90	180	270	
20-20	A	4		1			3					
20-21	A	9					1	8	35	110	250	325
20-22	A	6			3			3	80	110	250	280
20-23	A	2			2				35	110	250	325
20-24	A	4			2			2	35	110	250	325
20-27	A	14						14	35	110	250	325
20-29	A	17						17	80			280
20-33	A	11						11				
22-2	D	3			3				70	145	215	290
22-4	A	4			2		2	2	35	110	250	325
22-5	D	6					2	4	35	110	250	325
22-6	D	3			2			1				
22-7	E	1		1								
22-9	E	3					3		70	145	215	290
22-10	E	4						4	35	110	250	325
22-11	B	2						2	35	110	250	325
22-12	D	5			2			3	80	110	250	280
22-13	D/A	5					4	1	35	110	250	325
22-14	A	19						19	80			280
22-15	E/A	6					5	1	80	110	250	280
22-17	D/A	9					1	8	80	110	250	280
22-18	A/D	8						8	80	110	250	280
22-19	A	14						14	80	110	250	280
22-20	A	9						9	35	110	250	325
22-21	A	3		1				2	80	110	250	280
22-22	A	4			4					110	250	
22-23	D/A	8					8		35		250	
22-27	D/A	9			1			8	80		250	280
22-28	A	7					7		80			280
22-36	A	8					8		90		270	
24-2	D	7					7		80			280
24-4	D	4		1				3	80	110	250	280
24-5	A	16						16	80	110	250	280
24-6	D/A	8					8		80	110	250	280
24-7	A	16					2	14	80	110	250	280
24-10	A	7			7&.amp;.lt.;/DIV>				80			280
24-11	A	9			3		6		35	110	250	325

24-12	A	5		2		3		80	110	250	280
24-16	A	5		2		3		80	110	250	280
24-20	D	11				2	9	80	110	250	280
24-21	D	10			1		9	80	110	250	280
24-22	D	4			4			45	110	250	
24-27	E	7					7	80			
24-28	Instrument	24					24	80	110	250	280
24-80	Instrument	23					23	35	145	240	300





Environmental Condition

[top](#)
↑

Ambient Temperature Range	-55°C ~ +125°C	
Frequency	10~2000 Hz、147 m/s ²	
Shock	490 m/s ²	
Durability	≥500 times	
Relative humidity :	95±4% at 40°C	
Insulation resistance	≥5000MΩ	
Withstanding voltage	2000V	
Operating voltage	500V(AC)	700V(DC)

[Home](#) | [Contact Us](#) | [Legal Statement](#) | [Links](#) | [Sitemap](#) | [Static](#)

Tel: 86-755-86099789 Fax: 86-755-86018655 Email:sales@anovay.com
Address: 6th Floor,Block 12,JiuXiangLin Industrial Zone Xili Town,Nanshan District,Shenzhen 518055 P. R. China
Copyright©2009 Anovay, Inc. All Rights Reserved.