

10 9 8 7 6 5 4 3 2 1

F

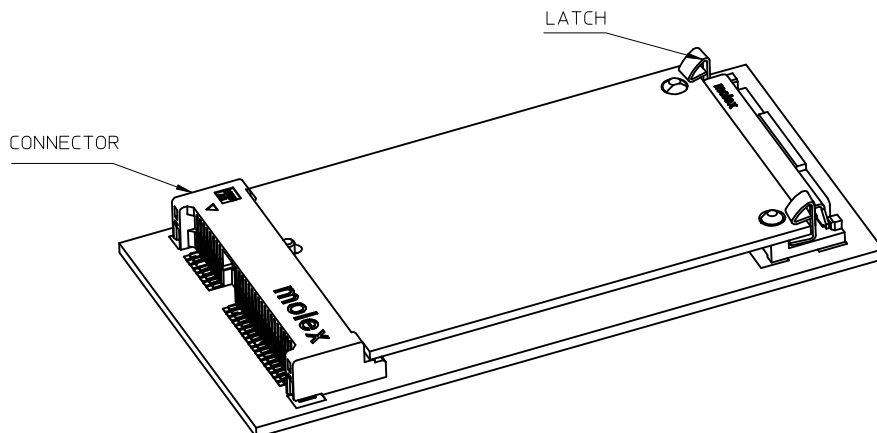
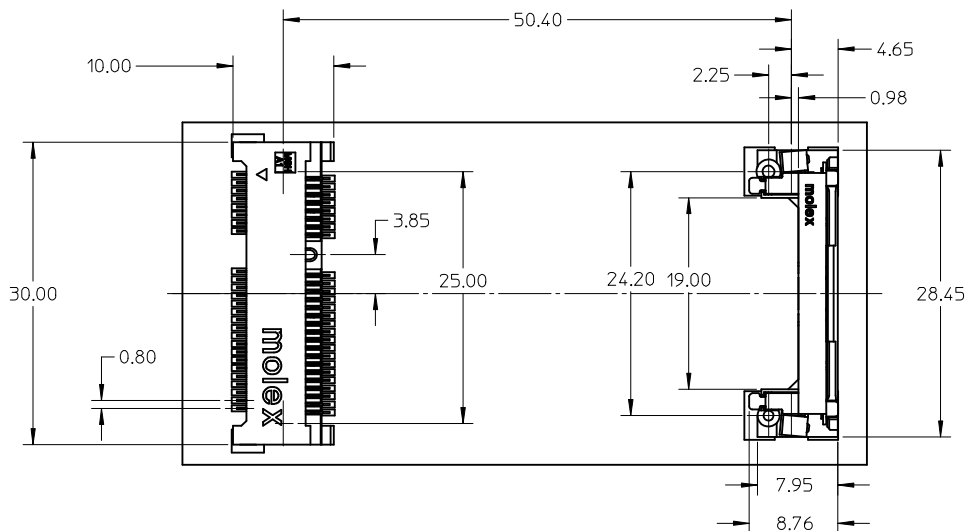
E

D

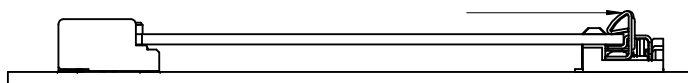
C

B

A

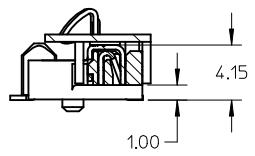


PUSH LATCH TO RELEASE MODULE

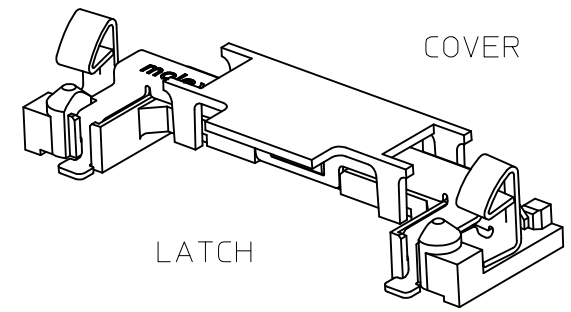
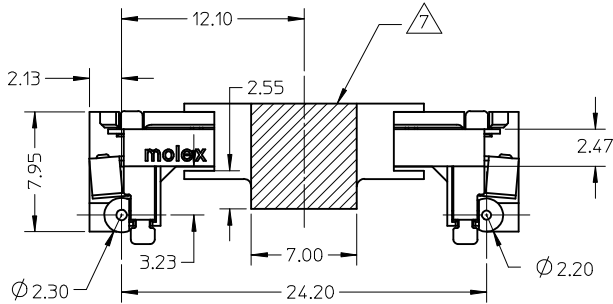


REVISED EC NO: SH2009-0388 DRW: ZHAO CHKD: APPR: HWANG	2008/12/03 2008/12/04 2008/12/09	DESCRIPTION REV	QUALITY SYMBOLS ▽=0 ◻=0	GENERAL TOLERANCES (UNLESS SPECIFIED)	DIMENSION STYLE MM ONLY	SCALE 1:1	DESIGN UNITS METRIC	THIRD ANGLE PROJECTION
			4 PLACES ± --- ± --- 3 PLACES ± --- ± --- 2 PLACES ± 0.25 ± --- 1 PLACE ± 0.25 ± ---	DRAWN BY DAVID HU CHECKED BY HARVEY APPROVED BY GARY	DATE 2005/12/14 DATE 2005/12/14 DATE 2005/12/14	TITLE LATCH FOR MINIPCI-E 0.8MM PITCH 52 CIRCUIT LEAD-FREE	MOLEX INCORPORATED	
			DRAFT WHERE APPLICABLE MUST REMAIN WITHIN DIMENSIONS	MATERIAL NO. 48099-5701	DOCUMENT NO. SD-48099-006	SHEET NO. 1 OF 3		
			THIS DRAWING CONTAINS INFORMATION THAT IS PROPRIETARY TO MOLEX INCORPORATED AND SHOULD NOT BE USED WITHOUT WRITTEN PERMISSION					

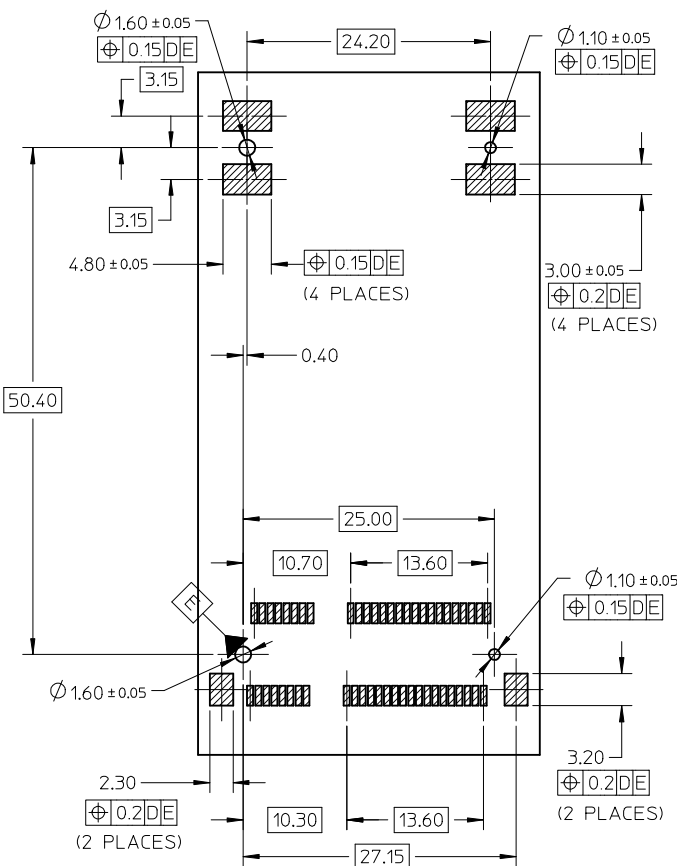
9 8 7 6 5 4 3 2 1



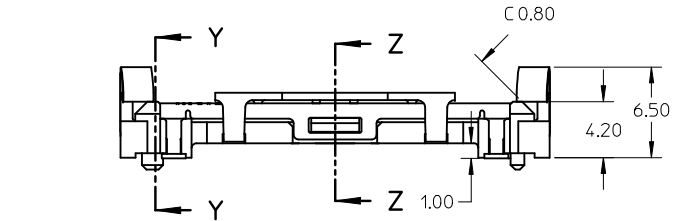
SECTION Z-Z
Scale 3:1



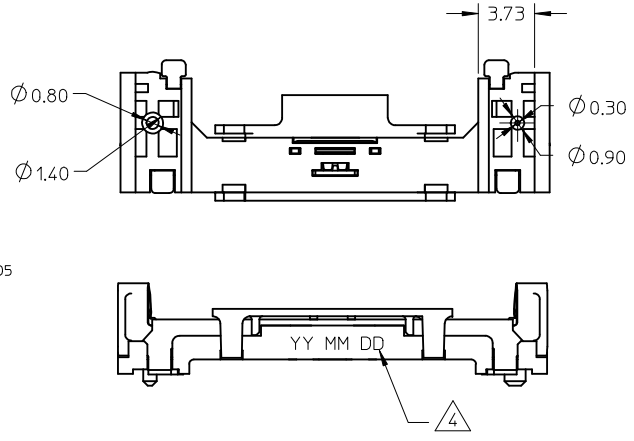
LATCH



DATUM D IS THE TOP SURFACE OF PCB
RECOMMENDED PCB LAYOUT



SECTION Y-Y
Scale 3:1



- NOTES:
1. THIS LATCH USES WITH MINI PCI EXPRESS CONN.
 2. HOUSING:PA46 GLASS FILLED,COLOR:BLACK UL94V-0
METAL SHELL:STAINLESS STEEL,THICKNESS:0.3MM
BEAM:STAINLESS STEEL,THICKNESS:0.3MM
 3. FINISH:GOLD FLASH PLATED IN SOLDER AREA.
 4. DATE CODE:YY-YEAR MM-MONTH DD-DATE
 5. THE MOUDLE CARD REFERS TO MINI PCI EXPRESS CARD
ELECTROMECHANICAL SPECIFICATION.
 6. MATCHED CONNECTOR:67910 SERIES.
 7. FOR PICK AND PLACE AREA.
 8. PART 48099-5701 COMPLIANT TO ROHS DIRECTIVE 2002/95/EC
AND ELV DIRECTIVE 2000/53/EC.

REVISED EC NO: SH2009-0388 DR: WINEZHAO CHKD: APPR: HWANG	2008/12/03 2008/12/04 2008/12/09	QUALITY SYMBOLS ▽=0 ◻=0	GENERAL TOLERANCES (UNLESS SPECIFIED)		DIMENSION STYLE MM ONLY		SCALE 1:1	DESIGN UNITS METRIC	THIRD ANGLE PROJECTION		
				mm	INCH	DRAWN BY DAVID HU	DATE 2005/12/14	TITLE LATCH FOR MINI PCI-E 0.8MM PITCH 52 CIRCUIT LEAD-FREE			
						CHECKED BY HARVEY	DATE 2005/12/14				
						APPROVED BY GARY		DATE 2005/12/14	MOLEX INCORPORATED DOCUMENT NO. SD-48099-006		
DRAFT WHERE APPLICABLE MUST REMAIN WITHIN DIMENSIONS			MATERIAL NO. 48099-5701		SIZE A3		SHEET NO. 2 OF 3		THIS DRAWING CONTAINS INFORMATION THAT IS PROPRIETARY TO MOLEX INCORPORATED AND SHOULD NOT BE USED WITHOUT WRITTEN PERMISSION		

Mouser Electronics

Authorized Distributor

Click to View Pricing, Inventory, Delivery & Lifecycle Information:

[Molex:](#)

[48099-5701](#)