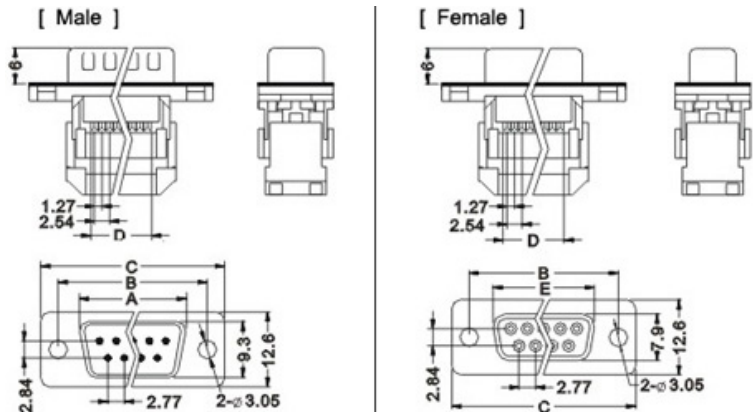


Connector >> D-sub Series >> DFC2



Contact Resistance	30 mΩ ,max. at DC 100mA
Insulator Resistance	1000 mΩ ,min. at DC 500V
Current Rating	5AMP
Withstanding voltage	AC1000V/1Min
Operating temperature	-55°C~+105°C
Contact	Brass or Phosphor Bronze
Housing	PBT & 30% Glass Fiber(UL94V-0)



Position	A	B	C	D	E
9P	17.78	24.99	31.04	19.36	16.33
15P	26.15	33.32	39.24	27.64	24.66
25P	39.94	47.04	53.04	41.08	38.38
37P	56.56	63.50	69.62	57.38	54.84

How To Order :

DFC2	-	9	-	F	-	B	-	
Series No.		No. of Poles		Item Type		Color		Customer Request
		9 / 15 / 25 37 / 50		F: Female M: Male		B: Blue K: Black W: White		