



IQB Limited

crystal product data book 1998

BS EN ISO 9001 Approved

CONTENTS

Contents	i
Company Profile	ii
New Products	iii
Ordering Information	iv
Introduction to Quartz	v
An Overview of Crystal Production	vi
Crystal Product Handling Precautions	viii
Einführung Und Verkaufsinformationen	x
Presentation Et Conditions De Ventes	xiii
Introduccion E Informacion Sobre Pedidos	xvi
Introduzione Ed Informazioni Sugli Ordini	xix
Quartz Crystals - Section Contents	1
SPXOs - Section Contents	29
VCXOs - Section Contents	91
TCXOs - Section Contents	105
OCXOs - Section Contents	117
Programmable Oscillators - Section Contents	121
Crystal Filters - Section Contents	127
SM Quartz Crystals - Section Contents	133
SM SPXOs - Section Contents	165
SM VCXOs - Section Contents	197
SM TCXOs - Section Contents	205
Application Notes - Section Contents	231
Appendix - Section Contents	245
IQD Credit Application Form	251
Distributors & Representatives	253

PROFILE & NEW PRODUCTS	CRYSTAL FILTERS
ORDERING INFORMATION & QUARTZ OVERVIEW	SURFACE MOUNT QUARTZ CRYSTALS
HANDLING PRECAUTIONS	SURFACE MOUNT SPXOs
QUARTZ CRYSTALS	SURFACE MOUNT VCXOs
SPXOs	SURFACE MOUNT TCXOs
VCXOs	APPLICATION NOTES
TCXOs	PART NUMBER INDEX
OCXOs	CREDIT APPLICATION FORM
PROGRAMMABLE OSCILLATORS	DISTRIBUTORS & REPRESENTATIVES

COMPANY PROFILE

COMPANY PROFILE

As we approach the 21st century we increasingly rely on quartz crystal products. The clocks & watches we track time with; the telephones we communicate with; the computers we work with; all utilise crystal technology.

Senior members of IQD's Engineering Department



Since its formation in 1973, IQD has established a leading position in the European market as a specialist manufacturer of quartz devices. The company offers one of the widest ranges available, from low cost commercial grade product to that used in the most stringent military and professional grade applications. Our components are specified by leading manufacturers in the aerospace, communications, computing, consumer, medical and automotive industries throughout the world.

IQD takes a partnership approach to working with its customers. Specialist sales teams, assisted by an engineering-led application support department, guide customers from initial design stage through to full production. Critical to this process is the experience and detailed product knowledge of our sales people. Internal sales are supported by external representatives and distributors in over twenty-five countries. Customer service is enhanced by continuing investment in a fully integrated computer system linking our operations world-wide.

Quality is a cornerstone of IQD's success. All aspects of customer support, from initial sales contact to on-time delivery are addressed by our Total Quality Management (TQM) programme. This is complemented by the company's personnel development and training programme which provides for continuous improvement in all departments. As the first crystal manufacturer to be approved to BS5750, we now hold the internationally recognised BS EN ISO 9001 quality standard.

IQD's production facilities reflect the commitment to quality with all aspects of manufacturing, from incoming inspection to final product acceptance, rigorously controlled. The working environment is closely monitored

in the latter stages of production where conventional flow clean room conditions (equivalent to BS 5295 Class K & FS 209E Class M6.5) are maintained. Statistical Process Control (SPC) monitoring ensures that our processes are effective and consistent.

Our express production service offers manufacturing lead-times as short as three days for custom design product, allowing us to satisfy urgent customer requirements. This is supported by an extensive stockholding of standard products available for next day delivery.

IQD's dedicated, customer driven, approach has resulted in growth of over 450% in the last six years with sales in 1997 in the region of US\$15 million. This has enabled IQD to build a highly experienced management team capable of establishing this dynamic company as a major player in the world crystal market.

INTRODUCING IQD INC.

In February 1997 IQD opened its USA sales office. Based in Newton, Massachusetts, IQD Inc. is based in a modern fully equipped office facility, featuring an elegantly furnished reception area, two large conference rooms, video conferencing facilities, an 80 seater theatre/training room & 24 hour voice mail capability.

IQD Inc. will strengthen the level of customer service provided to our OEM customers, distributors & representatives in the Americas. For a full listing of distributors and representatives please turn to page 253.

Alan Mond, General Manager IQD Inc.



NEW PRODUCTS

OSCILLATORS (available Q4 1997)

IQD has introduced an 8-pin DIL military oscillator covering the frequency range 250.0kHz to 80.0MHz with its IQXO-85 and its screened variant (IQXO-86). Tri-state capability can be specified with the IQXO-87 series. (IQXO-88 is its screened variant)

The IQXO-625 and its screened variant (626) are new ranges of 14-pin DIL military oscillators covering the frequency range 250.0kHz to 80.0MHz and capable of driving either HCMOS or TTL logic. The IQXO-627 and its screened version (IQXO-628) are tri-stateable versions of the IQXO-626, 627.

- IQXO-85, -86 - see p66
- IQXO-87, -88 - see p68
- IQXO-625, -626 - see p78
- IQXO-627, -628 - see p80

VCXOs

The IQVCXO-161 (introduced last year) will have a frequency range of 1.0 to 90.0MHz from Quarter 1 1998.

- IQVCXO-161 - see p94

IQXO-80



SM CRYSTALS

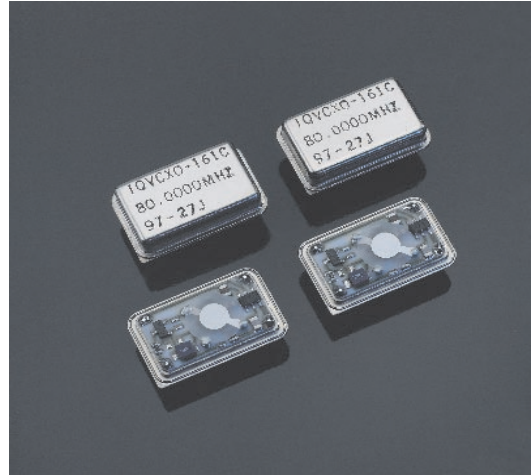
The 85SMX crystal offers an alternative footprint to the devices currently available from the 90SMX series.

- 85SMX - see p140

SM SPXOs

The new IQXO-80 series of surface mount (ECL output) oscillators covers the frequency range of 30.0 to 170.0MHz. Dual Complimentary versions are also available.

IQVCXO-161 Extended frequency range Q1 1998



- IQXO-80 - see p186
- IQXO-81 - see p188
- IQXO-82 - see p190
- IQXO-83 - see p192

The CXO-M (supplied by Statek) is a surface mount military oscillator in a low profile (1.6mm) ceramic package with the smallest footprint available in the industry.

- CXO-M - see p194

SM VCXOs (available Q1 1998)

The IQVCXO-460 series of surface mount VCXO's is available covering the frequency range of 1.0 to 30.0MHz. Housed in a 6-pin J leaded package, only 3.2mm high, the 460 series offers tri-state capability and is able to drive HCMOS or TTL

- IQVCXO-460 - see p202

SM TCXOs

IQD's range of miniature temperature compensated crystal oscillators are housed in a 4+2 surface mount package and cover the frequency range of 12.0 to 19.2MHz. Offered with stabilities down to ± 2.5 ppm over -30 to $+75^{\circ}\text{C}$, the device provides a clipped sine wave output. The IQTCXO-290 operates at 5V, whilst the IQTCXO-291 operates from a 3V supply.

- IQTCXO-290, -291 - see p214

Offered in a standard 4+2 package, the surface mount IQTCVCXO-333, -334 series of TCVCXO's compliment the IQTCXO-290, -291 devices by providing for a voltage control change of ± 4 ppm min. in the case of the IQTCVCXO-333.

- IQTCVCXO-333, -334 - see p228

ORDERING INFORMATION

Office Hours

08.00 to 17.00 UK time, Monday to Friday. 08:30 to 17:30 Eastern time (USA) Monday to Friday (IQD Inc.)

Minimum Order Charge

Account orders £50.00; Prepaid £50.00; or other currency equivalent (+ postage & packing).

Quotations

Quotations made by IQD are valid for 30 days unless otherwise stated.

Certificate of Conformance (C of C)

C of C's are available upon request for a fixed charge of £11.00 (or other currency equivalent) if the order is confirmed in writing by fax or letter.

Order Acknowledgment

Order acknowledgments are sent out for all orders within 3 days of order.

Order Cancellation

Purchase orders for made-to-order products are non-cancellable.

Despatch

Orders received by 4pm for ex-stock items can normally be despatched the same day if specifically requested at time of order. Please see Standard Conditions of Sale (p252) regarding postponement of delivery dates.



Terms

30 days from end of month of invoice for approved credit accounts.

Special Services

- Electronic Data Interchange (EDI)

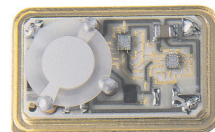
We offer EDI communication to the internationally agreed standards. Please contact our I.T. department.

- Bar Coding

Product packaging can be bar-coded if required. Please contact our I.T. department.

Payment in Currencies other than Sterling

Our preferred international currency is US dollars, but we can operate an account for you in any one of a number of different currencies; please agree this with your sales contact when placing your first order. Please ensure that remittance in the agreed currency reaches us in full without deduction of charges.



Returns

Customers wishing to return goods for whatever reason should contact our sales department first, otherwise considerable delays can result in processing the return.

Specifications

As part of its continuing efforts to provide customers with the very latest technology in crystal components, IQD reserves the right to change specifications, designs and models without notice.



INTRODUCTION TO QUARTZ

NATURAL & CULTURED QUARTZ

Quartz is a crystalline form of silicon dioxide (SiO_2) which is abundant in nature, forming about 12% of the Earth's crust. A combination of the limited supply of natural quartz along with its high cost has resulted in the development of cultured quartz.

Crystals of quartz are grown by dissolving SiO_2 in an alkaline solution at high temperature and pressure. This process takes place in autoclaves which are built to withstand the extreme conditions required.

Seed crystals are mounted in frames in the cooler part of the autoclave whilst a solution of sodium

carbonate and fragments of SiO_2 are placed in the warmer portion. The solution moves from the hotter to the cooler region and in doing so, dissolves the nutrient and deposits on the seed crystal. Temperatures are controlled throughout this process.



Large bars of crystal can be grown in about ten weeks. The quality of the quartz depends on the conditions of growth. Crystals are grown in shapes and sizes that minimise wastage of time and material.

The bars of crystal are cut into wafers. The angle at which these wafers are cut is crucial in determining the frequency and temperature stability of the final crystal. The most common cut is the AT-cut where the blank is cut from the



bar of crystal at approximately 35° , allowing a frequency range of 1MHz to 300MHz.

PIEZOELECTRIC PROPERTIES OF QUARTZ

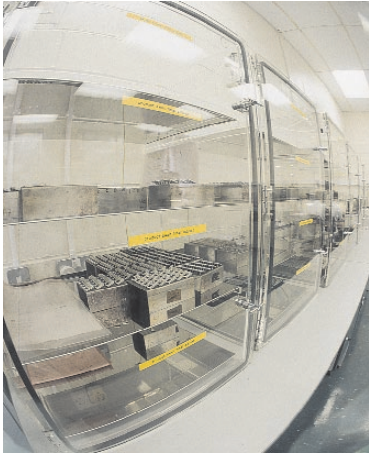
Since the discovery of the piezoelectric properties of quartz in 1880 by Pierre Curie, quartz has become a significant factor in the growth of the electronics industry.

By stretching or compressing a piezoelectric material a voltage is generated. The reverse is also true: a voltage applied to the material causes it to become mechanically stressed.

In the case of crystals, the pressure resulting from a voltage being applied is displayed in the form of oscillations at a particular resonant frequency. This frequency is a function of the thickness of the crystal. By carefully preparing a crystal, it can be made to oscillate at any frequency.

AN OVERVIEW OF CRYSTAL PRODUCTION

The manufacturing process begins by reducing the thickness of the blank. Frequency is determined by thickness; blanks are cut thicker than required so that they can be reduced according to the frequency desired. This reduction is achieved by lapping with an abrasive such as aluminium oxide, to produce a fine surface finish. The crystal is lapped until it is slightly above the required final frequency.



This process is followed by cleaning and etching the blanks which further improves the surface finish and also reduces the frequency spread within the batch of crystals.

Electrical connections are formed by depositing a metal (usually silver) on the blank by evaporation under vacuum.

The crystal is then mounted on its base which has spring mounts. Once the crystal is positioned, a conductive adhesive bonds the tails of the electrode to the mount.

Next the crystal requires adjustment to final frequency. This can be achieved by plating more silver on the crystal until the exact frequency is reached.



Once the frequency is correct, the crystals are baked in ovens before being encapsulated into their package. When this is complete, the crystal unit can be fully tested.

The intricacy of the production process, with considerations for frequency and stability throughout, highlights the need for detailed specifications from customers as to what they require from their crystals. The minimum specifications that are typically required when placing an order for crystal products are outlined at the beginning of each section.

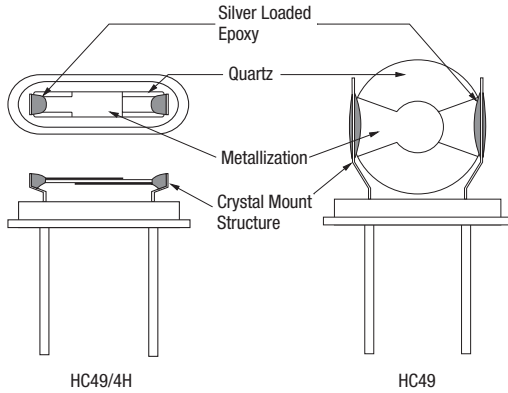


NOTES

CRYSTAL PRODUCT HANDLING PRECAUTIONS

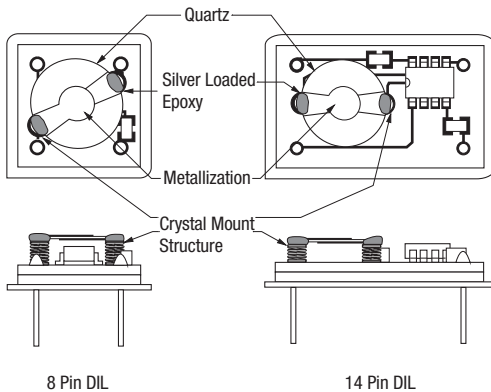
As described previously, the quartz crystal unit includes a small disc or strip of quartz that is processed to an exact size and thickness dependent on the customer-specified resonating frequency. The quartz is plated with conducting electrodes and mounted in an hermetically sealed protective enclosure (See Fig. 1).

Figure 1



The electrodes connect to leads which pass through the base assembly via glass to metal seals.

Figure 2

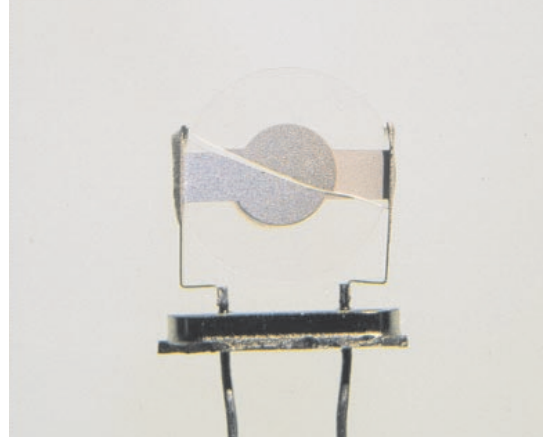


Crystal units are often encapsulated together with other circuitry in order to realise a fully functional module, e.g.

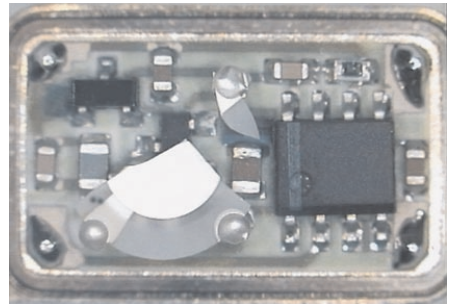
an oscillator or a complex filter. Fig. 2 illustrates a simple crystal oscillator.

Because of the nature of the crystal unit, correct handling is very important.

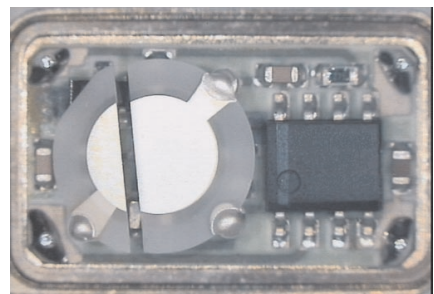
Mechanical Shock



Crystal components are manufactured to withstand a certain level of mechanical shock. These levels are outlined within the environmental specifications for each individual component type throughout the Data Book.

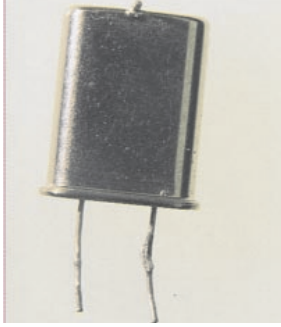


Excessive levels of shock can cause a change to the electrical characteristics, which will most likely manifest itself as a change of frequency. Severe mistreatment, such as dropping onto a hard surface, may well result in actual breakage.



Handling Leads

Excessive bending of leads can cause damage to the glass to metal seal which can result in the loss of the hermeticity of the enclosure. Enclosures are filled with a dry inert gas and loss of hermeticity will result in a rapid deterioration of the product due to atmospheric contamination. Care should therefore be taken when handling a crystal not to pull or bend the leads. If the component needs to be moved in a way that involves bending, the lead should be bent slightly away from the glass seal to avoid cracking it. The recommended minimum radius of curvature is product dependent, for example: 2mm for HC49's and 1mm for UM1's.



should conform to BS EN 100015. For a more detailed breakdown of the precautions that should be taken please contact the Application Support Department.

General Information

The approximate thickness of the quartz disc or strip is given by the following equation:

$$\text{Thickness (mm)} = \frac{1.67}{f \text{ (MHz)}}$$

Note: Multiply thickness (mm) × O/T mode if using overtone crystal (e.g. 16MHz crystal = 0.1mm thick)

Tape & Reel Product

Before using crystal components on automated placement machines, tests should be undertaken to test the level of shock that the crystal devices will be subjected to during the placement process. If necessary the shock level should be reduced.

Temperature

If crystals are subjected to extreme temperatures outside storage temperature limits, the electrical performance can be affected, resulting in eventual failure.

Electrostatic Discharge (ESD)

Only at extreme voltages can static electricity be seen, heard or even felt, but even the lowest voltages can damage electronic circuits. The damage caused to oscillators as a result of electrostatic discharge may not immediately be evident but can be delayed, causing the oscillator circuitry to degrade, which in turn can cause failure of the oscillator in the field.



Although quartz is not necessarily susceptible to ESD damage, the associated electronic circuitry contained within an oscillator *is* and should be considered as an Electrostatic Discharge Sensitive device (ESDS).

ESDS devices should only be handled in an ESD Protected Area or EPA, where typically wrist straps are used. Any transportation should be undertaken using the appropriate protective packaging. All packaging should be marked with a warning notice and protective measures and packaging

EINFÜHRUNG UND VERKAUFSINFORMATIONEN

UNTERNEHMENSPROFIL

Schwingquarze spielen eine stetig zunehmende Rolle in praktisch allen Bereichen unseres Lebens, den beruflichen ebenso wie den privaten. Die Großen und kleinen Uhren, die wir um uns und an uns haben, die Telefone, mit denen wir kommunizieren, die Rechner, mit denen wir einen Großteil unserer Arbeit tun, sie alle enthalten Schwingquarz-Technologie.

Von seiner Gründung im Jahr 1973 an hat International Quartz Devices (IQD) als Spezialist für Quarzbausteine eine führende Stellung im europäischen Markt eingenommen. Das Produktspektrum des britischen Unternehmens ist eines der breitesten überhaupt, die derzeit angeboten werden; es reicht von preisgünstigen kommerziellen Standardprodukten bis hin zu solchen Bausteinen, die in sehr anspruchsvollen militärischen und professionellen Anwendungen eingesetzt werden. Die Schwingquarkomponenten von IQD sind weltweit von führenden Herstellern in den Bereichen Luft- und Raumfahrt, Kommunikations- und Datentechnik, Unterhaltungselektronik sowie Medizin- und Fahrzeugtechnik spezifiziert.

IQD läßt seine Kunden in Anwendungsfragen nicht allein. Zusammen mit den Ingenieuren der Applikationsabteilung begleiten die Spezialisten des Verkaufsteams die Kunden vom ersten groben Entwurf bis zur Serienfertigung. Dabei sind die Erfahrungen, die detaillierte Produktkenntnis und die Mehrsprachigkeit der Vertriebsbeauftragten von IQD ganz wesentliche Faktoren des Kundenerfolgs. Die interne Verkaufsmannschaft wird dabei unterstützt von externen Repräsentanten und Distributoren in mehr als 25 Ländern. Zusätzlich wird der Kundendienst von IQD durch eine kontinuierlich ausgebauten Rechnernetz ständig verbessert.

Qualität ist ein Eckstein für den Erfolg von IQD. Alle Aspekte der Kundenunterstützung, angefangen vom ersten Kontakt mit den Vertriebsbeauftragten bis hin zur termingerechten Lieferung sind dem "Total-Quality-Management"-Programm von IQD unterworfen. Ergänzt wird dies durch das Personalentwicklungs- und Ausbildungsprogramm des Unternehmens, durch das für ständige Verbesserungen in den einzelnen Abteilungen Sorge getragen wird. IQD war nicht nur der erste Hersteller, dem die Erfüllung der BS5750-Norm bescheinigt worden ist, sondern wurde jetzt auch gemäß der international anerkannten BS EN ISO 9001-Qualitätsnorm zertifiziert.

Die Fertigungsanlagen von IQD machen deutlich, daß in allen Bereichen des Unternehmens, vom Wareneingang bis zur Endkontrolle, in Sachen Qualität eine kompromißlose Linie gefahren wird. Die Arbeitsumgebung wird in den genannten Produktionsstufen streng überwacht und es wird unter Reinraumbedingungen gemäß BS 5295 Class K und FS 209E Class M6.5 p reduziert. Die kürzlich erfolgte Einführung einer Überwachung nach dem Verfahren der statistischen Prozeßkontrolle gewährleistet die Effizienz und Konsistenz der Fertigungsprozesse.

Im Rahmen des Expreßdienstes kann IQD kundenspezifische Produkte sehr schnell fertigen. Die Bestzeit liegt dabei bei drei Tagen von der Kundenspezifikation bis zur Auslieferung des Produkts. Dadurch lassen sich auch sehr eilige Kundenanforderungen befriedigen. Unterstützt wird dies alles durch eine umfangreiche Lagerhaltung von Standardprodukten, die von einem Tag auf den anderen geliefert werden können.

Die engagierte und von Kundenbedürfnissen motivierte Arbeitsweise von IQD hat zu einem Wachstum von mehr als 450% in den letzten sechs Jahren geführt. Die Verkaufsziffern von 1997 liegen in der Größenordnung von 15 Millionen US-Dollar. Dies ermöglichte es IQD, ein äußerst erfahrenes Managementteam aufzubauen, das in der Lage ist, dieses dynamische Unternehmen als bedeutenden Mitspieler auf dem internationalen Kristallmarkt zu etablieren.

IQD INC STELLT SICH VOR

Im Februar 1997 eröffnete IQD sein Verkaufsbüro in den USA IQD Inc. befindet sich in einem modern ausgestatteten Bürokomplex in Newton, Massachusetts, mit elegant möbliertem Empfangsbereich, zwei großen Konferenzräumen, Möglichkeiten für Videoconferencing, einem Vorstellungs-/Ausbildungsraum mit 80 Sitzplätzen sowie mit Sprachspeicherdiensten rund um die Uhr.

IQD Inc. intensiviert seinen Kundendienst für OEM-Kunden, Vertriebshändler & Vertreter auf den amerikanischen Kontinenten. Eine vollständige Liste unserer Vertriebshändler und Vertretungen befindet sich auf Seite 253.

AUFTRAGSINFORMATIONEN

Öffnungszeiten

Montag bis Freitag 08.00 bis 17.00 britische Zeit, Montag bis 08.30 bis 17.30 östliche Zeit (USA IQD Inc.)

Mindestbestellwert

Für Kundenkonten: DM 125,00 (£50); Vorauszahlung: DM 125,00 oder entsprechender Betrag in anderen Landeswährungen (+ Post und Verpackung).

Angebote

Wenn nicht anders angegeben, sind die von IQD genannten Preise 30 Tage gültig.

Güteprüfscheine (Certificate of Conformance = C of C)

Qualitätsnachweise sind auf Anfrage gegen eine geringe Gebühr erhältlich (£11.00 oder entsprechender Betrag in anderen Landeswährungen), wenn die Bestellung schriftlich durch Fax oder Brief bestätigt worden ist.

Auftragsbestätigung

Auftragsbestätigungen werden für alle Aufträge innerhalb von 3 Tagen nach Auftragsingang versandt.

Auftragsstornierung

Aufträge für Sonderanfertigungen können nicht storniert werden.

Zustellung

Bestellungen von ab Lager lieferbaren Waren, die vor 17:00 h (deutscher Zeit) eingehen, können auf Wunsch am gleichen Tag verschickt werden.

Zahlungsbedingungen

Bei zugelassenen Kundenkonten hat die Bezahlung 30 Tage nach Monatsende der Rechnungsstellung zu erfolgen.

Sonderdienstleistungen

- Elektronischer Datenaustausch (EDA)

Wir bieten elektronischen Datenaustausch gemäß international abgestimmten Normen. Bitte wenden Sie sich an unsere EDV-Abteilung.

- Strichcodes

Gegebenenfalls kann die Verpackung mit Strichcodes versehen werden. Bitte wenden Sie sich an unsere EDV-Abteilung.

Bezahlung in ausländischer Landeswährung

Unsere bevorzugte ausländische Währung sind US-Dollar, Ihr Kunden-Konto kann jedoch auf Wunsch in einer Reihe von Währungen geführt werden. Besprechen Sie Ihre Anforderungen bei Ihrem ersten Auftrag mit unserer Verkaufsabteilung, und bitte stellen Sie sicher, daß uns die vollen Beträge in der entsprechenden Währung ohne Abzüge erreichen.

Warenrückgabe

Kunden, die Waren - aus welchen Gründen auch immer - zurücksenden wollen, sollten vorher unsere Verkaufsabteilung verständigen, da es sonst bei der Bearbeitung der Rücksendung zu beträchtlichen Verzögerungen kommen kann.

Technische Daten

Im Rahmen unserer ständigen Bemühungen, unseren Kunden stets Quarz-Komponenten auf dem neuesten Stand der Technik zu liefern, behält IQD sich das Recht vor, technische Daten, Design und Modell ohne vorherige Ankündigung zu ändern.

NATÜRLICHE UND TECHNISCH ERZEUGTE QUARZKRISTALLE

Quarz ist eine kristalline Form von Silicium Dioxid (SiO₂), die in der Natur sehr häufig vorkommt, bestehen doch rund 12 Prozent der Erdkruste aus diesem Material. Die begrenzte Förderung von Naturquarz und die damit verbundenen hohen Kosten haben gleichermaßen die Entwicklung von technisch erzeugtem Quarz forciert.

Der Aufwuchsprozeß von Quarzkristallen wird durch das Lösen von Siliciumdioxid in einer alkalischen Flüssigkeit bei hoher Temperatur und hohem Druck angestoßen. Dieser Prozeß läuft in speziellen Tiegeln (Autoklaven) ab,

die für die dabei benötigten extremen Bedingungen ausgelegt sind.

Im kühleren Teil des Autoklaven werden auf speziellen Trägern Kristallkeime aufgebracht, während in den wärmeren Teil eine Lösung aus Natriumcarbonat und einigen Anteilen Siliciumdioxid eingebracht wird. Die Lösung wandert vom heißeren in den kühleren Bereich, löst auf diesem Weg den Nährstoff und lagert ihn auf dem Kristallkeimen ab. Während des ganzen Prozesses wird die Temperatur laufend überwacht.

In ungefähr zehn Wochen wachsen dann große Kristallstäbe auf. Die Qualität des Quarzkristalls hängt ganz entscheidend von den Bedingungen des Aufwuchsprozesses ab. Form und Größe der Kristallstäbe sind auf eine optimale Nutzung von Zeit und Material ausgerichtet.

Die Stäbe werden in Scheiben (Wafer) geschnitten. Der Schnittwinkel ist dabei ausschlaggebend für die Frequenz und Temperaturstabilität des Endprodukts. Am gängigsten ist der sogenannte AT Schnitt, bei dem der Rohling in einem Winkel von ungefähr 35 Grad abgeschnitten wird, womit ein Frequenzbereich von 1MHz bis 300 MHz abgedeckt werden kann.

PIEZOELEKTRISCHE EIGENSCHAFTEN VON QUARZ

Seit der Entdeckung der piezoelektrischen Eigenschaften von Quarz durch die Pierre und Marie Curie im Jahr 1880 ist Quarz zu einem bedeutsamen Faktor für das Wachstum der Elektronikindustrie geworden.

Wenn piezoelektrisches Material auseinandergezogen oder zusammengedrückt wird, entsteht eine elektrische Spannung. Ebenso gilt der umgekehrte Effekt: Durch das Anlegen einer elektrischen Spannung an dem betreffenden Material entsteht eine mechanische Verformung.

Im Fall von Schwingquarzen wird der Druck, der sich aus der angelegten Spannung ergibt, in der Form einer Schwingung bei einer bestimmten Resonanzfrequenz dargestellt. Diese Frequenz ist eine Funktion der Kristalldicke. Durch eine sorgfältige Verarbeitung des Kristalls können Schwingungen bei jeder beliebigen Frequenz erzeugt werden.

EIN ÜBERBLICK ÜBER DIE HERSTELLUNG VON SCHWINGQUARZ KOMPONENTEN

Der Herstellungsprozeß beginnt mit der Reduzierung der Dicke des Rohlings. Denn die Frequenz wird durch die Dicke bestimmt. Die Rohlinge werden dicker als erforderlich geschnitten und dann sukzessive dünner gemacht, bis die gewünschte Resonanzfrequenz erreicht ist. Abgetragen werden die überschüssigen Schichten durch Lappen mit einer ätzenden Substanz wie beispielsweise Aluminiumoxid, sodaß eine sehr glatte Oberflächenpolitur entsteht. Der Schwingquarz wird so lange geläppt, bis die Schichtdicke knapp über der für die gewünschte Frequenz benötigten Dicke liegt.

Danach folgt ein Säuberungs- und Ätzprozeß, bei dem die Oberfläche der Rohlinge weiter verbessert und die

Frequenzabweichungen innerhalb der einzelnen Lose reduziert werden.

Elektrische Verbindungen werden durch Abscheiden eines Metalls (in der Regel Silber) auf dem Rohling mittels Verdampfung unter Vakuum gebildet.

Danach wird der Schwingquarz auf seiner Grundseite, die mit Federhalterungen ausgestattet ist, befestigt. Nach der Positionierung des Bauelements verbindet ein leitfähiger Kleber die Elektrodenenden mit der Halterung.

Jetzt muß der Schwingquarz auf die gewünschte Frequenz feinabgestimmt werden. Dies wird durch Zugeben von Silber erreicht.

Nach der Einstellung auf die gewünschte Frequenz werden die Schwingquarze in speziellen Öfen gebrannt und dann in die jeweils vorgesehenen Gehäuse eingebracht.

Die Kompliziertheit des Herstellungsprozesses, bei dem ständig auf die Frequenz und die Stabilität geachtet werden muß, unterstreicht die Notwendigkeit, von den Anwendern genaue Angaben über die tatsächlichen Anforderungen zu bekommen, die sie an den jeweiligen Schwingquarz stellen. Am Beginn jedes Abschnitts werden in diesem Datenbuch die Mindestspezifikationen aufgelistet, die bei der Bestellung eines Schwingquarzes erforderlich sind.

VORSICHTSMAßNAHMEN BEI DER HANDHABUNG

Wie zuvor beschrieben, beinhaltet die Quarzkristalleinheit eine kleine Scheibe oder einen Streifen aus Quarz, die/der je nach der vom Kunden vorgegebenen Resonanzfrequenz auf eine genaue Größe und Dicke zugeschnitten wird. Der Quarz wird mit Leitungselektroden versehen und in ein hermetisch abgedichtetes Schutzgehäuse (S. Abb 1) gesteckt. An die Elektroden werden Kabel angeschlossen, die durch die Grundbaugruppe über Glas-Metall-Dichtungen führen.

Kristallvorrichtungen werden häufig mit anderen Schaltungen zusammen verkapselt, um ein vollfunktionelles Modul wie z.B. einen Oszillator oder ein komplexes Filter herzustellen. Abb. 2 veranschaulicht einen einfachen Kristalloszillator. Aufgrund der Natur der Kristalleinheit ist eine korrekte Handhabung sehr wichtig.

Mechanische Stöße

Kristallkomponenten werden so hergestellt, daß sie mechanische Stöße bis zu einer bestimmten Stärke aushalten. Diese Werte sind in den Umgebungsdaten für jeden einzelnen Komponententyp im Datenbuch ausgewiesen.

Zu starke Stöße können eine Veränderung der elektrischen Eigenschaften zur Folge haben, die sich mit hoher Wahrscheinlichkeit als Frequenzänderung äußern. Bei schwerwiegender Mißhandlung, wie z.B. Fallenlassen auf eine harte Oberfläche, kann die Vorrichtung zerbrechen.

Handhabung von Kabeln

Ein zu starkes Verbiegen von Kabeln kann Schäden an der Glas-Metall-Dichtung verursachen, die den Verlust der

hermetischen Abdichtung des Gehäuses zur Folge haben können. Die Gehäuse sind mit einem trockenen Edelgas gefüllt, und bei einem Verlust der hermetischen Abdichtung kommt es zu einer raschen Verschlechterung des Produkts aufgrund atmosphärischer Kontamination. Es ist daher bei der Handhabung eines Kristalls sorgfältig darauf zu achten, daß die Kabel nicht gedehnt oder verbogen werden. Wenn das Teil auf eine solche Weise bewegt werden muß, daß ein Biegen unvermeidlich ist, dann sollte das Kabel leicht von der Glasdichtung weggebogen werden, um Reißen zu verhüten. Der empfohlene Mindestkrümmungsradius ist vom jeweiligen Produkt abhängig, z.B: 2 mm für HC49-Modelle, 1 mm für UM1-Modelle.

Band & Rollenprodukt

Vor dem Benutzen von Kristallkomponenten auf automatischen Verpackungsmaschinen sollten die Stoßwerte geprüft werden, denen die Kristallgeräte während des Plazierungsvorgangs ausgesetzt sind. Falls notwendig, sollten diese Stoßwerte reduziert werden.

Temperatur

Wenn Kristalle extremen Temperaturen außerhalb der Lagertemperatur-Grenzwerte ausgesetzt werden, dann kann dies die elektrische Leistung beeinträchtigen, was schließlich den Ausfall des Gerätes zur Folge hat.

Elektrostatische Entladung (ESD)

Statische Elektrizität ist nur bei extremen Spannungswerten sicht-, hör- oder sogar fühlbar, aber selbst niedrigste Spannungswerten können elektronische Schaltungen beschädigen. Schäden, die aufgrund statischer Entladungen an Oszillatoren entstehen, sind zwar nicht unbedingt sofort sichtbar, können aber verzögert zutage treten, was dazu führt, daß die Qualität der Oszillatorschaltung abnimmt, was wiederum einen Ausfall des Oszillators in der Praxis nach sich zieht.

Quarz ist zwar nicht unbedingt empfindlich gegenüber Schäden durch ESD, aber die in jedem Oszillator vorhandene elektronische Schaltung ist ein gegenüber elektrostatische Entladungen empfindliches Gerät (ESDS) und sollte auch als solches behandelt werden.

ESDS-Geräte sollten nur in einem ESD-Schutzbereich (EPA) gehandhabt werden, wo gewöhnlich Armbänder getragen werden. Die Geräte sollten nur in geeigneter Schutzverpackung transportiert werden. Sämtliches Verpackungsmaterial sollte mit einem Warnhinweis versehen werden, und Schutzmaßnahmen wie Verpackung sollten der BS EN 100015 entsprechen. Ausführlichere Informationen über die zu treffenden Vorsichtsmaßnahmen sind bei der Anwendungsunterstützungsabteilung erhältlich.

Allgemeine Informationen

Die ungefähre Dicke des Quarzstreifens ergibt sich durch die folgende Gleichung:

Dicke (in mm) = $1,67/f(\text{MHz})$

PRESENTATION ET CONDITIONS DE VENTES

PROFIL DE LA SOCIETE

A l'approche du 21^{ème} siècle, nous dépendons de plus en plus des produits à quartz. Les pendules et les montres égrèment le temps, les téléphones communiquent, les ordinateurs calculent, en utilisant la technologie des quartz.

Depuis sa création en 1973, IQD s'est taillé une position de leader sur le marché européen comme fabricant spécialisé de quartz. La société offre l'une des gammes les plus étendues disponibles, depuis les produits commerciaux de bas de gamme jusqu'à ceux qui sont utilisés dans les applications militaires et professionnelles les plus exigeantes. Nos composants sont spécifiés par les plus grands fabricants dans les industries aéronautiques, des communications, informatiques, grand public, médicales et automobiles dans le monde entier.

IQD adopte une approche de partenariat avec ses clients. Des équipes de vendeurs spécialisés, assistés par un département de support des applications orienté vers l'ingénierie, guident les clients depuis la conception initiale jusqu'à la production. L'expérience, la connaissance détaillée des produits, la connaissance de plusieurs langues que possèdent nos vendeurs sont essentielles dans ce processus. Les ventes internes sont complétées par des représentants et des distributeurs dans plus de vingt cinq pays. Ce service aux clients est en cours d'extension grâce à l'investissement dans un système informatique intégré reliant nos activités dans le monde.

La qualité est la pierre angulaire de la réussite d'IQD. Tous les aspects du support clientèle, depuis le contact initial de vente jusqu'à la livraison en temps utile, sont concernés par notre programme de Gestion Totale de la Qualité (TQM). Celui-ci s'ajoute au personnel de la société et aux programmes de développement et de formation pour fournir une amélioration continue dans tous les services. Premier fabricant de quartz à avoir obtenu l'approbation BS5750, nous avons maintenant la certification internationale de qualité BS EN ISO 9001.

Les unités de production d'IQD reflètent l'engagement sur la qualité dans tous les aspects de la fabrication, depuis l'entrée des matières premières jusqu'à l'acceptation finale du produit qui sont rigoureusement contrôlées. L'environnement de travail est étroitement supervisé dans ces dernières étapes de la production où des environnements de salle blanche conventionnels (équivalent à BS 5295 Classe K et FS 209E Classe M6.5) sont assurés. L'introduction récente de la supervision du contrôle statistique du processus (SPC) garantit que nos processus sont efficaces et cohérents.

L'approche d'IQD, entièrement motivée par l'excellence du service offert à la clientèle, a résulté en une croissance de plus de 450% sur ces six dernières années et des ventes, en 1997, se situant aux environs de 15 millions de \$ US. Cela a permis à IQD de mettre en place une équipe de direction expérimentée qui a su faire de cette société

dynamique l'un des principaux participants du marché mondial du quartz.

PRESENTATION D'IQD INC.

En février 1997, IQD a ouvert son bureau de vente aux Etats-Unis. Basé à Newton, dans le Massachusetts, IQD Inc. a des bureaux offrant toutes les facilités du monde moderne, une réception au mobilier élégant, deux salles de conférences spacieuses, des facilités de visioconférence, un amphithéâtre/salle de formation et un service répondeur voice-mail fonctionnant 24 heures sur 24.

IQD Inc. à l'intention de renforcer le niveau des services offerts à ses clients constructeurs de matériel, ses représentants sur le continent américain. Pour obtenir une liste complète des distributeurs et représentants veuillez voir page 253.

CONDITIONS DE VENTE

Heures de bureau

De 08.00 heures à 17.00 heures, heure anglaise, du lundi au vendredi. De 08.00 heures à 17.30 heures, heures Côte Est (Etats-Unis).

Commandes minimum

Commandes de clients établis : £50,00; paiement à l'avance : £50,00; ou l'équivalent en devises (+ port & emballage).

Devis

Les devis établis par IQD sont valides pendant 30 jours, sauf indication contraire.

Certificat de conformité (C de C)

Des certificats de conformité sont disponibles sur demande (pour un coût minimum - £11.00 ou l'équivalent en devises) si la commande est confirmée par fax ou par courrier.

Accusé de réception de commande

Un accusé de réception est envoyé dans les trois jours suivant la réception des commandes.

Annulation de commande

L'achat de produits fabriqués sur mesure ne peut pas être annulé.

Envois

Les commandes reçues au plus tard à 17h00 et portant sur des articles pris en stock peuvent normalement être envoyés le jour même à condition que vous l'ayez spécifié sur la commande.

Termes et conditions

Trente jours à compter de la fin du mois de facturation pour tous les comptes créditeurs agréés.

Services spéciaux

- Echanges de données électroniques

Nous offrons ce type de communication sur la base de normes internationales. Veuillez contacter pour cela notre Service Informatique.

- Codes à barres

L'emballage des produits peut recevoir un code barres, à condition de le demander. Veuillez contacter pour cela notre Service Informatique.

Paiement en devises autres que la livre sterling

La devise internationale que nous préférons est le dollar US mais nous pouvons exploiter pour vous un compte dans un grand nombre de devises différentes; veuillez vous mettre d'accord sur ce point avec notre représentant du service ventes lorsque vous passez votre première commande. Veuillez également vous assurer que les versements dans la devise agréée nous parviennent en totalité, sans aucune déduction de frais.

Renvois

Nous prions les clients de contacter notre service ventes avant de nous renvoyer des produits, pour quelque raison que ce soit, ce afin d'éviter des délais importants dans le traitement du renvoi des produits.

Spécifications

IQD fait des efforts continuels ayant pour but d'offrir à sa clientèle la technologie la plus récente dans le secteur des composants à cristaux et se réserve le droit de changer ses spécifications, modèles et conceptions, sans aucun préavis.

LE QUARTZ - NATUREL ET SYNTHÉTIQUE

Le quartz est une forme cristalline de la silice, ou dioxyde de silicium (SiO₂), qui est abondant dans la nature, formant environ 12 % de l'écorce terrestre. La combinaison d'une disponibilité limitée du quartz naturel et de son prix élevé a conduit au développement de quartz synthétique. On fait croître les cristaux de quartz en dissolvant la silice dans une solution alcaline à température et pression élevées. Ce processus a lieu dans des autoclaves qui sont construits de manière à supporter les conditions extrêmes nécessaires.

Les cristaux d'amorçage sont placés dans des cadres dans la partie la plus froide de l'autoclave, tandis qu'une solution de carbonate de sodium et de fragments de silice sont placés dans la partie la plus chaude. Cette solution se déplace de la région la plus chaude vers la plus froide et ce faisant, dissout la silice et la dépose sur le cristal d'amorçage. Les températures sont contrôlées pendant tout le processus.

Il faut environ dix semaines pour obtenir de grandes barres de cristal. La qualité du quartz dépend des conditions de la croissance. On fait croître les cristaux selon des formes et des tailles qui réduisent la perte de temps et de matériau.

Ces barres de cristal sont coupées en tranches. L'angle de découpe de ces tranches est critique dans la détermination de la fréquence et de la stabilité en température du quartz

final. La coupe la plus courante est la coupe AT où la tranche est coupée selon un angle d'environ 35°, permettant une gamme de fréquences de 1MHz à 300 MHz.

PROPRIÉTÉS PIÉZOÉLECTRIQUES DU QUARTZ

Depuis la découverte des propriétés piézoélectriques du quartz en 1880 par Pierre et Marie Curie, le quartz est devenu un facteur important dans la croissance de l'industrie électronique.

La traction ou la compression d'un matériau piézoélectrique produit une tension. L'inverse est également vrai, une tension appliquée au matériau provoque des déformations mécaniques.

Dans le cas des quartz, la pression résultant d'une tension qui est appliquée est produite sous la forme d'oscillations à une fréquence de résonance particulière. Cette fréquence est fonction de l'épaisseur du quartz. En préparant soigneusement ce dernier, on peut le fabriquer pour qu'il oscille à une fréquence déterminée.

VUE GÉNÉRALE DE LA PRODUCTION DES COMPOSANTS À QUARTZ

Ce processus de fabrication commence par réduire l'épaisseur du wafer. La fréquence est déterminée par l'épaisseur, les wafer sont coupés plus épais que ce qui est nécessaire pour qu'ils puissent être amincis en fonction de la fréquence désirée. Cette réduction est obtenue en l'usant avec un abrasif comme l'alumine pour produire un état de surface lisse. Le quartz est usé jusqu'à l'obtention d'une fréquence légèrement supérieure à la fréquence finale désirée.

Ce processus est suivi d'un nettoyage et d'une attaque du wafer pour améliorer encore la finition de la surface et réduire la dispersion de fréquence dans un même lot de quartz.

Les connexions électriques sont formées en déposant un métal (habituellement de l'argent) sur le wafer par vaporisation sous vide.

Le quartz est ensuite monté sur une embase à ressort. Une fois le quartz positionné, un adhésif conducteur relie les électrodes au montage.

Le quartz nécessite ensuite un ajustage à la fréquence finale. Ceci peut être obtenu en plaquant un peu plus d'argent sur le quartz jusqu'à ce que la fréquence exacte soit atteinte.

Une fois que la fréquence correcte, les cristaux sont cuits dans des fours avant d'être encapsulés dans leur boîtier. Une fois l'opération terminée, le quartz peut être totalement testé.

La complexité de ce processus de fabrication, avec les considérations de fréquence et de stabilité, souligne le besoin de spécifications détaillées que les clients doivent attendre de leurs quartz. Les spécifications minimum qui sont habituellement nécessaires lors d'une commande de quartz sont mises en valeur au début de chaque section.

PRÉCAUTIONS DE MANIPULATION

Ainsi que nous l'avons décrit auparavant, l'unité de quartz comprend un petit disque ou une petite barre de quartz aux dimensions et épaisseur exactes correspondant aux fréquences de résonance spécifiées par les clients. Le quartz est plaqué avec électrodes de conduction et monté dans un compartiment de protection scellé (Voir illustration 1). Les électrodes sont reliées à des fils qui passent dans l'assemblage de base par des sceaux verre-métal.

Les unités de quartz sont souvent incorporées à d'autres circuits afin de produire un module fonctionnel, c'est à dire un oscillateur ou un filtre complexe. L'illustration 2 montre un oscillateur à quartz simple.

Étant donné sa nature, il est important de manipuler correctement l'unité de quartz.

Chocs mécaniques

Les éléments de cristal sont fabriqués de manière à subir certains niveaux de choc mécaniques. Ces niveaux sont donnés dans le Data Book en suivant la spécification environnementales de chaque élément individuel.

Des niveaux de choc excessifs peuvent provoquer des changements dans les caractéristiques électriques, et cela produira un changement de fréquence. L'élément peut se briser à la suite d'une manipulation brutale, par exemple si on le laisse tomber sur une surface dure.

Manipulation des fils

Il est dangereux de trop les fils car cela peut endommager le sceau verre-métal et faire que le compartiment ne sera plus hermétique. Les compartiments sont remplis de gaz inerte et, si le sceau est brisé, la pollution atmosphérique détériorera rapidement le produit. Il faut donc faire attention à ne pas tordre ni tendre les fils lorsque l'on manipule le cristal.

Si il est nécessaire de déplacer l'élément en tordant le fil, il faudra tordre le fil doucement en l'éloignant du sceau de verre pour éviter de le briser. Le rayon minimum de courbe dépend du produit, par exemple il sera de 2mm pour le HC49 et de 1mm pour l'UM1.

Produit bande et bobine

Avant d'utiliser des éléments de quartz sur des machines à mise en place automatiques, il est nécessaire de tester le niveau de choc auquel l'élément sera pendant le processus de mise en place. Si nécessaire, il faudra réduire le niveau de choc.

Température

Si les cristaux sont soumis à des températures extrêmes en dehors des limites de température de stockage, leur performance électrique en sera affectée et pourra provoquer une panne.

Décharge électrostatique (ESD)

L'électricité statique ne peut être vue, entendue ou même sentie qu'à des voltages extrêmes, mais même les voltages les plus bas peuvent endommager les circuits électroniques.

L'endommagement de l'oscillateur peut ne pas être évident dans l'immédiat et subir un délai résultant en une détérioration des circuits et, par la suite, une panne de l'oscillateur.

Bien que le quartz ne soit pas nécessairement sensible aux détériorations ESD, les circuits électroniques associés contenus dans un oscillateur le sont et ils doivent être considérés comme étant des produits sensibles aux électrostatiques (ESDS - Electrostatic Discharge Sensitive Device).

Les ESDS devraient être manipulés dans une zone protégée contre les décharges électrostatiques (EPA - ESD Protective Area), où on utilisera des bandes de poignets. Tout transport devra s'effectuer en utilisant un conditionnement protecteur approprié. Tout conditionnement devra porter un avertissement et les mesures de protection ainsi que le conditionnement devront être au standard BS EN 100015. Pour plus de détails sur les précautions à prendre, veuillez contacter le service Application Support Department.

Généralités

L'épaisseur approximative du disque ou de la barre de quartz est donnée selon l'équation suivante:

Épaisseur (mm) = 1,67 / F (MHz)

INTRODUCCION E INFORMACION SOBRE PEDIDOS

DESCRIPCION DE LA EMPRESA

A medida que nos acercamos al siglo XXI utilizamos los productos con cristal de cuarzo se utilizan cada vez más. Los relojes de distintos tipos con los que medimos el tiempo, los teléfonos que usamos para comunicarnos, los ordenadores con los que trabajamos... todos estos objetos se sirven de la tecnología del cuarzo.

Desde su nacimiento en 1973 IQD ha conquistado una posición destacada en el mercado europeo como fabricante especialista de dispositivos de cuarzo. Esta empresa ofrece una de las más completas gamas que existen, desde productos económicos para usos comerciales hasta los empleados en las más exigentes aplicaciones militares y profesionales. Nuestros componentes cumplen las especificaciones de los principales fabricantes de los sectores aeroespacial, de las comunicaciones, la informática, productos de consumo, productos médicos y automatización de todo el mundo.

IQD opta por la colaboración a la hora de trabajar con sus clientes. Sus equipos de ventas especializados, apoyados por un departamento de ingeniería como soporte para las aplicaciones, orientan a los clientes desde la fase inicial de diseño hasta la producción completa. En este proceso es crucial la experiencia, un profundo conocimiento del producto y los conocimientos de idiomas de los vendedores. Las ventas internas se complementan con los representantes y los distribuidores externos, repartidos por más de veinticinco países. La atención a los clientes se perfecciona mediante la inversión continuada en un sistema informático plenamente integrado que se ocupa de nuestras operaciones en todo el mundo.

La calidad es la piedra de toque del éxito de IQD. Todos los aspectos de la atención al cliente, desde el primer contacto de venta hasta la entrega absolutamente puntual están cubiertos por nuestro programa de gestión total de la calidad (TQM). Este programa se complementa con un programa para el personal de la empresa y para la formación y el desarrollo que permite mejoras continuas en todos los departamentos. Como primeros fabricantes de cristal en recibir la certificación BS 5750, ahora disfrutamos además de la certificación de calidad BS EN ISO 9001, reconocida internacionalmente.

Las instalaciones que IQD dedica a la producción reflejan un compromiso con la calidad en todas las facetas de la fabricación, que se controlan rigurosamente desde la llegada de materiales hasta la aceptación definitiva del producto. El entorno de trabajo está estrechamente controlado en las últimas fases de la producción, en las que se respetan las condiciones habituales de asepsización (equivalentes a BS 5295 Clase K y FS 209E Clase M6.5). La reciente introducción del sistema para el control estadístico de procesos (SPC) garantiza que nuestros procesos son eficaces y coherentes.

Nuestro servicio de producción rápido ofrece plazos de fabricación de tan sólo tres días para productos

personalizados, lo cual nos permite responder a las urgencias de nuestros clientes. A ello se añaden unas completas existencias de productos de serie que pueden entregarse en veinticuatro horas.

La filosofía dedicada a las demandas de los clientes de IQD ha resultado en un crecimiento de más de 450% durante los últimos seis años, resultando, en 1997, en un volumen de ventas de aproximadamente 15 millones de dólares. Esto ha permitido a IQD crear un equipo de gestión sumamente experimentado, capaz de establecer esta compañía dinámica como un participante importante del mercado mundial de los cristales.

PRESENTANDO IQD INC.

En febrero de 1997, IQD inauguró su oficina de ventas en los EE.UU. IQD Inc. se ha establecido en Newton, Massachusetts en un complejo moderno de oficinas plenamente equipadas, incluyendo una zona de recepción elegantemente amoblada, dos salas de conferencias grandes, facilidades de conferencia por video, un teatro/sala de capacitación para 80 personas y una facilidad de correo de voz de 24 horas por día.

IQD Inc. reforzará el nivel de ayuda proporcionada a los clientes fabricantes de equipos originales, distribuidores y representantes en las Américas. Para una lista completa de distribuidores y representantes, sírvase consultar la página 253.

INFORMACION SOBRE PEDIDOS

Horas de oficina

08:00 a 17:00 Hora Inglesa, los lunes a viernes, 08:30 a 17:30 Hora Eastern (EE.UU.), los lunes a viernes (IQD Inc.)

Cargo mínimo por pedido

Pedidos de clientes con cuenta: 50 libras esterlinas; pago por anticipado: 50 libras esterlinas u otra moneda equivalente a dicha suma (+ gastos de embalaje y envío).

Cotizaciones

Las cotizaciones hechas por IQD son válidas durante 30 días a menos que se estipule de otra manera.

Certificado de conformidad

Previo solicitud se facilitarán certificados de conformidad (por un coste mínimo - £11.00 - u otra moneda equivalente a dicha suma) si se confirma el pedido por escrito mediante fax o carta.

Otros acuses de recibo

Se envían acuses de recibo para todos los pedidos dentro de 3 días 3 días después del pedido.

Cancelación de pedido

Los pedidos de compra de pedidos personalizados no se pueden cancelar.

Envío

Normalmente, los pedidos de artículos en existencia recibidos antes de las 4 de la tarde se pueden enviar el mismo día si así se solicita al hacer el pedido.

Condiciones

30 días a partir del final del mes de la factura para clientes con crédito aprobado.

Servicios especiales

- Intercambio de datos electrónico (Electronic Data Interchange) (EDI)

Ofrecemos comunicaciones EDI bajo normas internacionales. Sírvase ponerse en contacto con nuestro Departamento IT.

- Codificación de barras

El embalaje de productos puede codificarse con barras si se requiere. Sírvase ponerse en contacto con nuestro Departamento IT.

Pago en monedas distintas de la libra esterlina

Nuestra moneda internacional preferida es el dólar de EEUU, pero podemos abrir una cuenta para usted en cualquiera de varias monedas distintas; al hacer su primer pedido clarifique esto con su contacto de ventas. Asegúrese de que recibamos íntegramente la transferencia de fondos en la moneda acordada, es decir sin deducciones de gastos.

Devoluciones

Los clientes que por cualquier razón deseen devolver mercancías deberán primero contactar con nuestro departamento de ventas. De otro modo, podría resultar en demoras considerables del procesamiento de las devoluciones.

Especificaciones

Como parte de su continua dedicación a ofrecer a sus clientes la tecnología más avanzada en componentes de cristal, IQD se reserva el derecho de cambiar las especificaciones, los diseños y los modelos sin notificación previa.

CRISTAL DE CUARZO - NATURAL Y CULTIVADO

El cuarzo es una forma cristalina de dióxido de silicio (SiO_2), material que abunda en la naturaleza y que constituye el 12% de la corteza terrestre. Como resultado de la escasez de cuarzo natural y de su alto coste, se ha desarrollado el cuarzo cultivado.

Se generan cristales de cuarzo disolviendo SiO_2 en una solución alcalina a alta temperatura y presión. Este proceso se realiza en autoclaves construidos para tolerar las extremas condiciones requeridas.

Los cristales así generados se montan en marcos en la parte más fría del autoclave, mientras que en la parte más caliente se coloca una solución de carbonato de sodio y de fragmentos de SiO_2 . La solución pasa desde la parte más caliente a la más fría y, al hacerlo, disuelve los pequeños

trozos y depósitos de cuarzo natural en el cristal cultivado. Durante la totalidad de este proceso, la temperatura se mantiene bajo control.

En unas diez semanas es posible cultivar grandes barras de cristal. La calidad del cuarzo dependerá de las condiciones del cultivo. Los cristales se generan en formas y tamaños que permitan reducir al mínimo las pérdidas de tiempo y de material.

Las barras de cristal se cortan en láminas u obleas. El ángulo de corte de estas láminas es crucial para determinar la frecuencia y la estabilidad térmica del cristal final. El corte más común es el llamado AT, en el que la pieza se corta con una oblicuidad de unos 35° con respecto a la barra de cristal, lo que permite obtener una gama de frecuencias de entre 1 y 300 MHz.

LAS PROPIEDADES PIEZOELÉCTRICAS DEL CUARZO

Desde que la familia Curie descubrieran en 1880 las propiedades piezoeléctricas del cuarzo, este material se ha convertido en un elemento importante para el desarrollo del sector de la electrónica.

Al estirar o comprimir un material piezoeléctrico se genera una tensión. También ocurre lo contrario: al aplicar una tensión al material, éste queda sometido a una tensión mecánica.

En el caso de los cristales, la tensión resultante de la aplicación de una tensión se traduce en oscilaciones a una determinada frecuencia resonante. Esta frecuencia es una función del espesor del cristal. Preparándolo cuidadosamente, es posible hacerlo oscilar a cualquier frecuencia.

INFORMACIÓN GENERAL SOBRE LA PRODUCCIÓN DE COMPONENTES DE CRISTAL DE CUARZO

El proceso de fabricación comienza reduciendo el espesor de la pieza. La frecuencia queda determinada por el espesor. Por lo general, las piezas se cortan a un espesor mayor del necesario, a fin de poder ser reducidas de acuerdo con la frecuencia deseada. Esta reducción se consigue mediante un lapidado con un abrasivo, como el óxido de aluminio, para producir un acabado homogéneo. El cristal es lapidado hasta alcanzar un espesor ligeramente superior al necesario para la frecuencia final.

A continuación, el material es sometido a un proceso de limpieza y pulido, que suaviza aún más el acabado y reduce asimismo la dispersión de frecuencia en el lote de cristales.

Utilizando un metal (por lo general plata), se forman sobre la pieza conexiones eléctricas mediante evaporación al vacío.

A continuación, el cristal se monta sobre su base, que tiene soportes de muelle. Una vez colocado en su lugar, un adhesivo conductor une los extremos del electrodo al soporte.

Seguidamente, el cristal se somete a un ajuste para la obtención de la frecuencia final. Esto puede realizarse

mediante la aplicación de más plata de metal, hasta alcanzar la frecuencia exacta.

Una vez que la frecuencia es correcta, los cristales se secan en hornos antes de introducirse en sus contenedores. Finalmente, la unidad podrá ser sometida a diversas pruebas.

La complejidad del proceso de producción, que debe tomar en cuenta consideraciones tales como la frecuencia y la estabilidad, hace hincapié en la necesidad de obtener del cliente especificaciones detalladas acerca del uso que va a darle a los cristales. Por lo general, al recibir un pedido de cristales, al comienzo de cada sección se estipulan las especificaciones mínimas.

PRECAUCIONES DE MANIPULACIÓN

Como ya se ha descrito anteriormente, la unidad de cristal de cuarzo incluye un pequeño disco o tira de cuarzo que se procesa a un tamaño y espesor exactos, dependiendo de la frecuencia especificada por el cliente. Se recubre el cuarzo con electrodos conductores y se le instala en una unidad hermética (vease la Figura 1). Los electrodos están conectado a conductores que pasan por el conjunto de la base mediante sellos de metal a visorio.

A menudo se encapsulan las unidades de cristal con otros circuitos para formar un módulo totalmente funcional, por ejemplo, un oscilador o un filtro complejo. La Figura 2 muestra un oscilador de cristal sencillo.

Debido a las características de la unidad de cristal, es muy importante manejarla correctamente.

Impactos mecánicos

Se fabrican los componentes de cristal para que resistan cierto nivel de impacto mecánico. Se resumen estos niveles en las especificaciones ambientales de cada tipo de componente en el Libro de Datos.

Los impactos excesivos pueden causar cambios de las características eléctricas que probablemente se manifestaran en la forma de un cambio de frecuencia. Un maltrato excesivo, por ejemplo, si caen sobre una superficie dura, puede resultar en una fractura de la unidad.

Manejo de los conductores

Si se doblan excesivamente los conductores puede resultar en dañar el sello entre vidrio y metal y una pérdida de la hermeticidad de la unidad. Las unidades contienen un gas inerte seco y si se pierde hermeticidad podría resultar en un deterioro rápido del producto debido a contaminación atmosférica. Por lo tanto, hay que tener cuidado cuando se maneja la unidad para no doblar ni tirar de los conductores. Si es necesario desplazar el componente de una manera que necesite doblar el conductor, se debe doblar este a cierta distancia del sello de vidrio para evitar rajarlo. El radio de curvatura mínimo recomendado depende del producto; por ejemplo, 2mm para los HC49s y 1mm para los UM1s.

Producto en cinta y bobina

Antes de usar productos de cristal en las máquinas de colocación automatizada, se deben realizar pruebas para medir el impacto al que se someten los dispositivos de

cristal durante el proceso de colocación. Si es necesario, reducir la intensidad de impacto.

Temperatura

Si se someten los cristales a temperatura fuera de los límites recomendados de almacenamiento, podría afectar las prestaciones eléctricas y causar un fallo eventual.

Descarga electrostática (DES)

Solamente se pueden ver, oír o hasta sentir las descargas electrostáticas cuando hay una tensión excesiva, pero los voltajes más mínimos pueden dañar los circuitos electrónicos. Quizás no sea inmediatamente evidente el daño causado por una descarga electrostática, pero puede retardarse y a su vez podría causar un fallo del oscilador durante su uso.

Aunque el cuarzo no es necesariamente vulnerable a las DES, los circuitos electrónicos asociados del oscilador lo pueden ser y se le debe considerar como un dispositivo sensible a las descargas electrostáticas (SDES).

Los dispositivos SDES se deben manejar en una zona protegida contra DES, en donde normalmente se usan pulseras conductoras. Cualquier transporte se debe realizar usando los empaques protectores correspondientes. Todos los empaques deben estar marcados con una advertencia, y las medidas protectoras y los empaques deberán conformar con la especificación BS FN 100015. Para un análisis más detallado de las precauciones que se deben tomar, sírvase contactar con nuestro Departamento de Soporte de Aplicaciones.

Información general

El espesor aproximado de un disco o tira de cuarzo se puede obtener de la siguiente ecuación:

$$\text{Espesor (mm)} = 1,67 / f \text{ (MHz)}$$

INTRODUZIONE ED INFORMAZIONI SUGLI ORDINI

PROFILO DELL'AZIENDA

Mano a mano che ci si avvicina al ventunesimo secolo, i prodotti basati su cristalli al quarzo stanno assumendo un ruolo sempre più determinante. Gli orologi che utilizziamo per misurare il tempo, i telefoni che usiamo per comunicare, i computer su cui lavoriamo e molti altri apparati basano gran parte delle proprie funzionalità sulle tecnologie legate ai quarzi.

Sin dalla sua fondazione, avvenuta nel 1973, IQD ha conquistato in veste di produttore specializzato in dispositivi al quarzo una posizione di primo piano nell'ambito del mercato europeo. L'azienda mette a disposizione una delle offerte più ampie tra quelle attualmente disponibili, coprendo un spettro che si estende dai prodotti commerciali a basso costo fino ai prodotti utilizzati nelle applicazioni militari e professionali più stringenti. I componenti IQD vengono attualmente utilizzati in tutto il mondo dai maggiori costruttori di sistemi aerospaziali, di apparati per comunicazioni, di computer, di dispositivi consumer, di strumenti medicali e di apparati automotive.

L'approccio utilizzato da IQD si basa sul lavoro congiunto e sulle partnership con i clienti. Un team di specialisti delle vendite, assistito da una divisione ingegneristica di supporto applicativo, guida gli utilizzatori dalle prime fasi di progettazione fino ad attivare la produzione. Aspetti particolarmente qualificanti di questo processo sono l'esperienza, la profonda conoscenza dei prodotti e le capacità di comunicare nelle più diverse lingue del nostro personale di vendita. La struttura interna di vendita viene supportata da rappresentanti e distributori presenti in oltre 25 nazioni. Il servizio clienti viene costantemente potenziato grazie ai continui di investimenti destinati a un sistema di elaborazione integrato che collega tra loro le sedi IQD di tutto il mondo.

L'aspetto "qualità" rappresenta una delle chiavi di volta del successo IQD. Il programma di TQM (Total Quality Management) interessa tutti gli aspetti del nostro servizio clienti partendo dal contatto iniziale fino ad arrivare alla consegna dei prodotti. Questa filosofia è complementata da una serie di programmi di addestramento e di sviluppo del personale destinati ad assicurare il continuo miglioramento di tutti i reparti. Come primo produttore di cristalli qualificato BS5750, IQD vanta attualmente il riconoscimento internazionale di qualità BS EN ISO 9001.

Gli impianti manifatturieri IQD riflettono l'impegno dell'azienda verso la qualità: tutti gli aspetti del processo dall'entrata fino all'accettazione finale del prodotto vengono infatti accuratamente controllati. Altrettanto rigorosamente viene controllato l'ambiente di lavoro dove anche negli ultimi stadi della produzione sono mantenute le condizioni tipiche delle camere bianche convenzionali (equivalenti alle norme BS 5295 Class K & FS 209E Class M6.5). La recente introduzione dei principi di monitoring SPC (Statistical Process Control) garantisce la consistenza e l'efficacia di tutti i nostri processi.

I nostri servizi di produzione rapida assicurano tempi di consegna inferiori ai tre giorni anche per prodotti realizzati su progetti custom, consentendoci così di soddisfare richieste urgenti. Tali servizi vengono supportati da un grosso magazzino di prodotti standard, disponibili per la consegna già dal giorno successivo alla richiesta.

L'approccio guidato dal cliente e dedicato della IQD ha prodotto una crescita di oltre 450% durante gli ultimi sei anni con vendite 1997 attorno ai US\$15 milioni. Ciò ha consentito alla IQD di formare una équipe manageriale di alta esperienza capace di stabilire questa dinamica azienda quale importante partecipante nel mercato mondiale del cristallo.

PRESENTAZIONE DELLA IQD INC.

Nel febbraio del 1997 la IQD ha aperto la prima sede di vendite negli USA. Con sede a Newton, Massachusetts. La IQD Inc. è situata in un moderno ufficio completamente arredato, caratterizzato da un'area di reception elegantemente arredata, due grandi sali da conferenze, servizi di conferenze video, una sala teatro/training con 80 posti a sedere e capacità di 24 ore di posta a voce.

La IQD rin forzerà il livello di servizio ai clienti offerto ai nostri clienti OEM, distributori e rappresentanti nelle Americhe. Per un completo elenco dei distributori e rappresentanti consultare la pagina 253.

INFORMAZIONI SUGLI ORDINI

Orari d'ufficio

Dalle 08,00 alle 17,00 orario inglese, dal lunedì al venerdì.
dalle 08,30 alle 17,30 orario orientale (USA) dal lunedì al venerdì (IQD Inc.)

Ammontare minimo per ordine

Ordini da clienti abituali £ 50.00; Prepagata £ 50.00 o altre valute (+ invio e confezionamento).

Preventivi

I preventivi fatti dalla IQD sono validi per un periodo di 30 giorni, se non altrimenti dichiarato.

Certificati di Conformità (C di C)

Certificati di Conformità sono disponibili su richiesta (con un importo minimo - £11.00 - o altre valute) se l'ordine è confermato per iscritto via fax o lettera.

Conferma dell'ordine

Le accuse di ricezione ordini inviate per tutti gli ordini entro 3 giorni dalla ricezione.

Cancellazione dell'ordine

Ordini d'acquisto per merce prodotta su ordinazione non sono annullabili.

Spedizione.

Ordini per merce ex-stock, ricevuti prima delle 17 .00

pomeridiane, sono normalmente spediti lo stesso giorno se specificatamente richiesto al momento dell'ordine.

Termini di pagamento.

30 giorni dalla fine del mese della fattura da approvazione del credito al cliente.

Speciali servizi

- Scambio elettronico di dati (EDI)

Offriamo collegamenti EDI per accesso agli standard internazionali. Contattare il nostro Dipartimento I.T.

- Codice a barre

Su richiesta, il codice a barre può essere applicato alla confezione del prodotto. Vi prechiamo di contattare il nostro Dipartimento I.T.

Pagamenti in valuta, esclusa la sterlina.

La nostra valuta internazionale preferita è il dollaro americano, ma possiamo operare in qualsiasi valuta desiderasse; la preghiamo di discutere la cosa con il reparto vendite prima di fare il suo primo ordine. La preghiamo inoltre di assicurarsi che la rimessa nella valuta stabilita ci arrivi completa, senza deduzione degli oneri.

Restituzione della merce

I clienti che desiderano restituire della merce per qualsiasi ragione devono contattare in primo luogo il nostro reparto vendite, altrimenti siverificherebbero considerevoli ritardi nel trattare le restituzioni.

Specifiche

Nel mettere a disposizione dei clienti, tecnologie per componenti al quarzo sempre più avanzate, la IQD si riserva il diritto di modificare senza preavviso le specifiche, il disegno e i modelli in vendita.

CRISTALLI DI QUARZO: NATURALI E COLTIVATI

Il quarzo è una forma cristallina del biossido di silicio (SiO_2), una sostanza estremamente comune in natura, tanto da costituire circa il 12% della crosta terrestre. La combinazione tra il limitato numero di fornitori di quarzo naturale e l'elevato costo di questo materiale ha favorito la produzione di quarzo "coltivato".

La crescita dei cristalli di quarzo avviene dissolvendo, in un ambiente ad alta temperatura e ad alta pressione, del biossido di silicio in una soluzione alcalina. Questo processo si svolge in autoclavi appositamente costruite per sopportare le severe condizioni ambientali richieste.

I cristalli "seme" vengono montati su cornici posizionate nella parte più fredda dell'autoclave: una soluzione di carbonato di sodio e alcuni frammenti di SiO_2 vengono invece posizionati nella parte più calda dell'impianto.

La soluzione si muove dalla sezione calda a quella fredda: durante questo spostamento vengono dissolti i frammenti che vanno così a depositarsi sul cristallo seme. Nel corso di tutto il processo le temperature vengono accuratamente controllate.

Nell'arco di circa dieci settimane possono essere ottenute barre di cristallo di dimensioni rilevanti. La qualità del prodotto dipende in larga parte dalle condizioni della crescita. I cristalli vengono comunque prodotti secondo profili e dimensioni che consentono di minimizzare gli sprechi di tempo e di materiale.

Una volta prodotte, le barre vengono tagliate a fette. L'angolo di taglio dei wafer è essenziale ai fini della determinazione della frequenza e della stabilità in temperatura del cristallo finale. Il tipo di taglio più diffuso è l'AT, dove il pezzo grezzo viene ottenuto incidendo la barra di cristallo con un'angolazione di circa 35°: tale inclinazione consente di ottenere un range di frequenze compreso tra 1 MHz e 300 MHz.

PROPRIETA' PIEZOELETTRICHE DEL QUARZO

Sin dalla scoperta delle proprietà piezoelettriche del quarzo, avvenuta nel 1880 ad opera dei Pierre e Marie Curie, questo materiale ha assunto, ai fini della crescita dell'industria elettronica, un ruolo estremamente significativo.

Comprimendo o allungando un materiale piezoelettrico è possibile ottenere una tensione. Questa proprietà è bivalente: una tensione applicata al materiale causa infatti una deformazione di tipo meccanico.

Nel caso dei cristalli la pressione risultante da una tensione adesso applicata viene restituita sotto forma di una oscillazione ad una particolare frequenza di risonanza. Tale frequenza è funzione dello spessore del cristallo. Se accuratamente preparato il cristallo può essere predisposto per oscillare a una qualsiasi frequenza.

UNA PANORAMICA DELLA PRODUZIONE DI COMPONENTI BASATI SU CRISTALLI

Il processo produttivo ha inizio con la riduzione dello spessore del pezzo grezzo. Come detto, la frequenza viene determinata dallo spessore: i pezzi vengono tagliati con uno spessore superiore a quello richiesto in modo tale da potere operare una riduzione dell'altezza fino ad ottenere la frequenza desiderata. Tale riduzione viene realizzata tramite lappatura con abrasivi (come ad esempio quelli a base di ossido d'alluminio), operazione che consente di ottenere superfici estremamente rifinite. Il cristallo viene lappato fino a quando il suo spessore raggiunge una dimensione leggermente superiore a quello corrispondente alla frequenza finale. Il processo di lappatura viene seguito dalla pulitura e dal taglio del pezzo: tali fasi permettono di migliorare la finitura della superficie riducendo inoltre le variazioni di frequenza nell'ambito di uno stesso lotto di cristalli.

Le connessioni elettriche vengono realizzate depositando sul pezzo un metallo (normalmente argento): il metodo seguito si basa sull'evaporazione a vuoto.

A questo punto il cristallo viene montato tramite una serie di apposite molle sulla relativa base. Una volta posizionato il cristallo, un opportuno adesivo conduttivo si incarica di collegare le code degli elettrodi.

Il passo successivo prevede l'accordatura alla frequenza finale. La regolazione viene ottenuta deponendo uno strato maggiore di argento. Una volta accertata la frequenza corretta, i cristalli vengono cotti nei forni prima di essere incapsulati nella confezione. Completato l'assemblaggio le unità sono finalmente pronte per il test finale.

La complicazione del processo produttivo - specialmente per quanto riguarda la frequenza e i livelli di stabilità - sottolinea l'esigenza del fornitore di potere contare su dettagliate specifiche d'utente. Le specifiche minime normalmente richieste quando si ordinano dei prodotti al quarzo sono elencate all'inizio di ciascuna sezione.

PRECAUZIONI

Come descritto in precedenza, l'unità del cristallo quartz comprende un piccolo disco o striscia di quartz che è stato elaborato all'esatta dimensione e spessore a seconda della frequenza risonante specificata dal cliente. Il quartz è placcato con elettrodi conduttivi e montato in un astuccio ermeticamente sigillato (Vedi Fig.1) Gli elettrodi si collegano ai conduttori che passano attraverso il gruppo base mediante delle tenute vetro a metallo.

Le unità di cristallo sono spesso incapsulate assieme. Ad altri circuiti al fine di realizzare un modulo completamente completamente funzionale, es, un oscillatore o un filtro complesso, la Fig. 2) illustra un semplice oscillatore di cristallo.

Data la natura dell'unità di cristallo, la corretta manipolazione è molto importante.

Urto meccanico

I componenti di cristallo sono prodotti per resistere un certo livello di urto meccanico. Tali livelli sono descritti all'interno delle specifiche ambientali per ciascun tipo di componente individuale per tutto il Manuale Dati.

Eccessivi d'urto possono causare dei cambiamenti nelle caratteristiche elettriche, che molto probabilmente si manifesterà come un cambio di frequenza. Severo maltrattamento, come lasciarlo cadere su di una superficie dura, potrebbe risultare in effettiva rottura.

Manipolazione dei conduttori

Eccessiva piegatura dei conduttori potrebbe causare danni alla tenuta vetro a metallo che causerebbe perdita d'ermeticità dell'astuccio. Gli astucci sono riempiti di gas inerte e la perdita d'ermeticità causerà una rapida deteriorazione del prodotto a causa di contaminazione atmosferica. Pertanto bisogna aver cura nella manipolazione di un cristallo di non tirare o piegare i conduttori. Se il componente ha bisogno di essere spostato in un modo in cui necessita piegare i conduttori, questi ultimi devono essere piegati lievemente distanti dalla tenuta del vetro onde evitare lesione. Il raggio minimo consigliato di curvatura dipende dal prodotto, ad esempio: 2 mm per HC49 e 1 mm per UM1.

Prodotti Tape & Reel

Prima di utilizzare i cristalli con un macchinario di piazzamento automatico è necessario svolgere dei test che

verifichino il livello di shock meccanico cui il dispositivo sarà sottoposto durante il processo di montaggio: se necessario tale livello dovrà essere ridotto.

Temperatura

Se i cristalli vengono sottoposti ad estreme temperature, fuori dei limiti di temperature d'immagazzinaggio, le prestazioni elettriche potrebbe subire degli effetti, che causerebbero eventuale guasto.

Scarica elettrostatica (ESD)

Solo ad estreme tensioni si può vedere, udire o sentire l'elettricità statica, ma anche le più basse tensioni possono danneggiare i circuiti elettronici. Il danneggiamento causato agli oscillatori a risultori di scariche elettrostatiche potrebbe non essere evidente immediatamente ma può essere ritardato, causando il degrado dei circuiti, che a sua volta può causare guasto dell'oscillatore nel campo.

Sebbene il quartz non è suscettibile a danneggiamenti ESD, i circuiti elettronici associati contenuti all'interno dell'oscillatore è e deve essere considerato come un dispositivo Sensibile alle Scariche Elettrostatiche (ESDS).

I dispositivi ESDS devono essere manipolati soltanto in un Area a protezione da ESDS o EPA, dove tipicamente vengono usate fascette polsini. Qualsiasi forma di trasporto deve essere intrapresa utilizzando l'opportuno imballaggio protettivo. Tutti gli imballaggi devono essere contrassegnati con un avviso di avvertenza e le misure di protezione e l'imballaggio devono essere conformi alla BS EN 100015. Per un più dettagliato elenco delle precauzioni che bisogna prendere si prega contattare il reparto Application Support Department.

Informazioni Generali

L' approssimato spessore del disco o della fascetta si ottiene seguendo l'equazione riportata qui di seguito:

$$\text{Spessore (mm)} = 1,67 / f \text{ (MHz)}$$

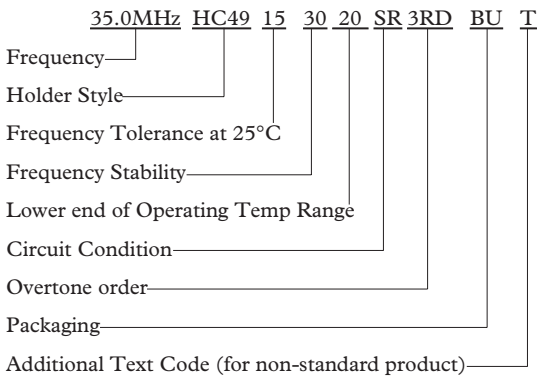
NOTES

QUARTZ CRYSTALS - Section Contents

Specifying Quartz Crystals	2
Stock Quartz Crystals	4
Watch Crystals 32.768kHz	7
Cylinder Crystals (3 x 9)15.0kHz to 60.0MHz.	8
CX-1 Crystals 10.0kHz to 2.0MHz	10
CX-1 Crystals 8.0 to 160.0MHz	12
HC35 (TO5) Crystals 6.0 to 210MHz	14
UM1 Crystals 800.0kHz to 250.0MHz	16
UM5 & UM4 Crystals 10.0 to 175.0MHz	18
HC49/4H & HC49/3H Crystals 1.0 to 70.0MHz	20
HC49 Crystals 1.8432 to 270.0MHz	22
HC51 & HC47 Crystals 890.0kHz to 50.0MHz	26

SPECIFYING QUARTZ CRYSTALS

A typical quartz crystal specification reads like this:



The following notes define each element of the specification.

Frequency

Frequency is normally specified in kilohertz (kHz) up to 999.999kHz and in megahertz (MHz) from 1.0MHz. All our computer-generated transaction documents follow this standard convention automatically.

The frequency should be given to seven significant figures. If seven significant figures are not used, any figure that might follow those given will be taken as zero. Thus a frequency given as 16.6MHz will be taken as 16.60, not 16.66667.

Some specifiers extend the use of kHz to all crystals operating in fundamental mode, reserving MHz for overtones. To minimise the possibility of misunderstanding it is best to use the standard method and specify the mode.

Holder Style

Before manufacture of the crystal can start, the holder style must be defined. If the holder size is not known or it is unimportant, we will supply the holder normally adopted for the frequency specified, such as HC49 for the majority of microprocessor applications. The holder information should also cover any mechanical variant required such as a top wire or cropped leads. The following variants for example are available for most crystals, either singly or in some cases, in combination:

- 3 lead base
- Top wire
- Insulating sleeve
- Taped and reeled
- Fitted insulator
- Cropped leads
- Formed leads

Frequency Tolerance

The cost of manufacture depends partly on the accuracy required at the reference temperature (which in the case of the AT-cut crystal, is usually 25°C).

Where high initial accuracy is important the additional manufacturing cost should be weighed against the cost of including a frequency trimming facility within the oscillator.

Frequency Stability

Frequency stability is normally specified as a frequency tolerance over a defined operating temperature range with respect to the frequency at reference temperature. The temperature ranges are defined for each crystal in the relevant data sheet. However the majority of crystals will continue to operate quite satisfactorily outside the temperature range for which they are specified, but with a possible degradation of their frequency stability.

Generalised frequency vs temperature curves for the AT-cut crystal types are illustrated in the following pages. These indicate that, without compensation, a crystal specified for operation over a wide frequency range will probably have an inferior performance over a narrower range than one whose design was optimised for the narrower range. The angle of cut of the quartz blank from its mother crystal determines which curve will be followed; the chosen angle being subject to its own tolerance. Thus, since manufacturing cost is tolerance-dependent it is wise not to specify a wider operating temperature range than is actually needed unless some sacrifice of stability, or an increase in cost, can be accepted.

Operating Temperature Ranges

- 0 to 50°C -40 to 90°C
- 10 to 60°C -55 to 105°C
- 20 to 70°C -55 to 125°C
- 30 to 80°C

When the required temperature range is symmetrical about 25°C, it is indicated in the specification by the lower figure, ie: -20 to 70°C would read '20' as shown in the example. If the required temperature range is not symmetrical about 25°C, both figures are used, ie: -55 to 85°C and appear in the additional text code section (T).

Circuit condition

The characters 'SR' are used to denote calibration of the crystal at series resonance. If it is to be calibrated at load resonance the characters represent the circuit load capacitance in pF.

Packaging Codes

Tape & Reel packaging is available as an option on many of the products outlined in the Quartz Crystal chapter.

Unless individual datasheets state Tape and Reel packaging, items will be Bulk packed. Please note: only complete Reels are sold.

- BU = Bulk packed
- T&R = Tape & Reel packed

Additional Text Code

If the product is non-standard, the letter 'T' will appear at the end of the product specification. This refers to additional text on the quotation/sales order to identify the special requirements.

Outline Drawings

Dimensions on the crystal outline drawings are shown only as a guide. Precise dimensions of crystal holders are available from our Engineering Department upon request. All dimensions are shown in mm and are nominal unless otherwise stated. All outlines are at a scale of 1:1 unless otherwise specified.

Standard Frequency Tolerances and Stabilities

- $\pm 5\text{ppm}$, $\pm 10\text{ppm}$, $\pm 15\text{ppm}$, $\pm 20\text{ppm}$, $\pm 30\text{ppm}$, $\pm 50\text{ppm}$, $\pm 100\text{ppm}$

Marking

Product will be indelibly marked as detailed in the individual data sheets. Where space is limited some or all of the information will be omitted or truncated at IQD's discretion. Full product details will be found on the individual batch packaging.

Delivery Options

The following delivery options are available for certain crystals; timescales refer to despatch from our UK factory. Prices for larger quantities and longer delivery times are lower due to substantially reduced manufacturing costs.

- 3 working days (Express service)
- 5 working days (Express service)
- 7 working days (Express service)
- 10 working days (Express service)
- 3 to 4 weeks (Standard service)
- 6 weeks (Low cost service)
- 10 to 12 weeks (Low cost service)

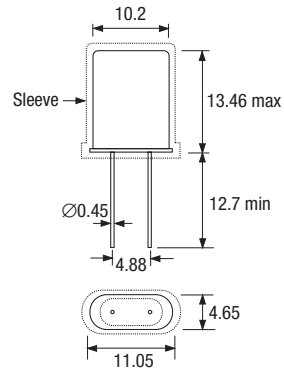
Ordering Information

- See individual datasheet

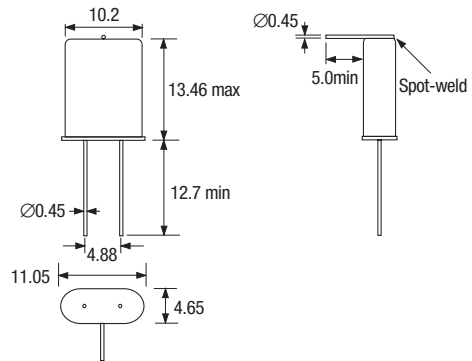
Stability Conversion Chart

10^x	PPM	%
10^{-3}	1000	0.1
10^{-4}	100	0.01
10^{-5}	10	0.001
10^{-6}	1	0.0001
10^{-7}	0.1	0.00001
10^{-8}	0.01	0.000001
10^{-9}	0.001	0.0000001
10^{-10}	0.0001	0.00000001

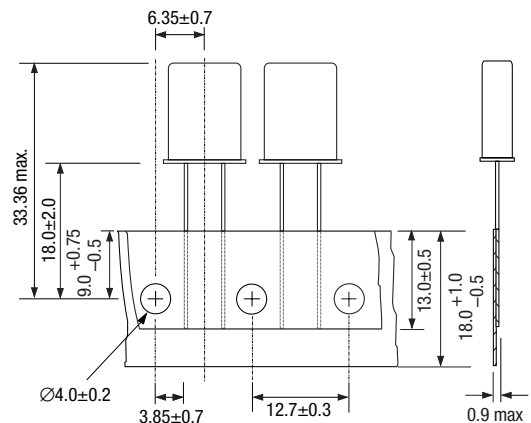
Outline - Insulated Sleeve HC49 & HC43



Outline - HC49 with Top Wire



Outline - Tape for HC49



STOCK QUARTZ CRYSTALS

Minimum Order Information Required

- Stock Number

WATCH CRYSTALS

Frequency	Holder	Specification	Stock No.
32.7680kHz	3x8mm	20/-/-12.5	A103A
32.7680kHz	3x8mm	15/-/-12.5	A103B
32.7680kHz	2x6mm	20/-/-12.5	A103C
32.7680kHz	3x8mm	40/-/-12.5	A103T
40.0kHz	3x8mm	100/-/-12.5	A109C

CX CRYSTALS

Frequency	Holder	Specification	Stock No.
32.7680kHz	CX-1V	30/-/40/9	C513A

HC49/4H CRYSTALS

Frequency	Holder	Specification	Stock No.
3.27680MHz	HC49/4H	30/50/10/12	A118C
3.579545MHz	HC49/4H	30/50/20/20	A119K
3.68640MHz	HC49/4H	30/50/20/30	A169K
4.0MHz	HC49/4H	20/50/10/30	A120K
4.0MHz	HC49/4H	30/50/10/30	A120L
4.032MHz	HC49/4H	30/50/20/30	A121K
4.096MHz	HC49/4H	30/50/10/30	A122K
4.194304MHz	HC49/4H	30/50/10/30	A123J
4.194304MHz	HC49/4H	30/50/10/12	A123K
4.433619MHz	HC49/4H	30/50/10/20	A124K
4.91520MHz	HC49/4H	30/50/20/30	A127K
5.0MHz	HC49/4H	30/50/10/30	A128K
5.76MHz	HC49/4H	30/50/10/30	L102K
6.0MHz	HC49/4H	30/50/10/30	A132K
6.144MHz	HC49/4H	30/50/10/30	A133K
7.37280MHz	HC49/4H	30/50/10/30	A194K
7.37280MHz	HC49/4H	15/30/10/18	A194L
7.37280MHz	HC49/4H	30/50/20/18	A194M
7.86432MHz	HC49/4H	30/50/10/30	A139A
8.0MHz	HC49/4H	30/50/20/30	A140K
8.192MHz	HC49/4H	30/50/10/30	A170K
9.8304MHz	HC49/4H	30/50/10/30	A173K
10.0MHz	HC49/4H	30/50/20/30	A143K
10.752MHz	HC49/4H	30/50/10/30	A212K
11.05920MHz	HC49/4H	30/50/20/30	L108K
12.0MHz	HC49/4H	30/50/20/30	A158K
12.288MHz	HC49/4H	30/50/10/30	A175K
14.31818MHz	HC49/4H	30/50/20/30	A153L
14.74560MHz	HC49/4H	30/50/10/30	A159K

Frequency	Holder	Specification	Stock No.
15.0MHz	HC49/4H	30/50/10/30	A160K
15.36MHz	HC49/4H	20/30/10/30	M451K
16.0MHz	HC49/4H	30/50/20/30	A161K
16.9344MHz	HC49/4H	30/50/10/30	A213K
18.432MHz	HC49/4H	30/50/20/30	A146K
19.66080MHz	HC49/4H	30/50/10/30	A182K
20.0MHz	HC49/4H	30/50/20/12	A147K
20.0MHz	HC49/4H	30/50/10/20	A147L
24.0MHz	HC49/4H	30/50/10/30 Fund	A189K
24.576MHz	HC49/4H	30/50/10/20 Fund	A116K
32.0MHz	HC49/4H	30/50/20/SR 3rd	A166K
35.2512MHz	HC49/4H	15/30/20/18 3rd	A216K
40.32MHz	HC49/4H	30/50/10/18 3rd	A220H

UM1 & HC45 CRYSTALS

Frequency	Holder	Specification	Stock No.
8.0MHz	UM-1	20/30/10/30	A140H
8.1920MHz	UM-1	20/30/10/30	A170H
8.1920MHz	UM-1	20/30/10/20	A170J
9.6000MHz	UM-1	20/30/10/30	A172H
10.2450MHz	UM-1	20/30/10/30	A155H
12.2880MHz	UM-1	20/30/10/30	A175H
14.31818MHz	UM-1	20/30/10/30	A153H
16.0MHz	UM-1	20/30/10/30	A161H
16.3840MHz	UM-1	20/30/10/30	A178H
17.73447MHz	UM-1	20/30/10/20	A180J
17.73447MHz	UM-1	20/30/10/30	A180H
19.66080MHz	UM-1	20/30/10/20	A182J
20.0MHz	UM-1	20/30/10/30	A147H
20.0MHz	UM-1	20/30/10/20	A147J
22.248MHz	UM-1	20/30/10/20 Fund	L111J

HC49 (HC43) CRYSTALS

Frequency	Holder	Specification	Stock No.
1.84320MHz	HC49	20/50/10/30	A113B
1.84320MHz	HC49	20/50/10/SR	A113C
1.8432MHz	HC49	30/50/20/SR **	A113T
2.0MHz	HC49	50/100/0/20	A114E
2.0MHz	HC49	30/50/20/20 **	A114U
2.45760MHz	HC49	20/50/10/30	A116C
2.4576MHz	HC49	30/50/20/32 **	A116U
3.0MHz	HC49	20/50/10/30	A150B
3.27680MHz	HC49	20/30/10/12	A118B
3.579545MHz	HC49	20/50/10/20	A119C

Frequency	Holder	Specification	Stock No.
3.579545MHz	HC49	30/50/10/20	A119M
3.579545MHz	HC49	30/50/20/18 **	A119U
3.68640MHz	HC49	20/50/10/30	A169A
3.68640MHz	HC49	30/50/10/30	A169M
3.6864MHz	HC49	30/50/20/20 **	A169U
3.6864MHz	HC49	30/50/20/SR **	A169T
4.0MHz	HC49	20/10/20/30	A120A
4.0MHz	HC49	20/50/10/30	A120B
4.0MHz	HC49	30/50/10/30	A120N
4.0MHz	HC49	30/50/20/20 **	A120U
4.0MHz	HC49	30/50/20/SR **	A120T
4.032MHz	HC49	20/10/20/30	A121A
4.0960MHz	HC49	20/10/20/30	A122A
4.0960MHz	HC49	20/50/10/30	A122B
4.194304MHz	HC49	20/30/10/12	A123A
4.433619MHz	HC49	20/30/10/20	A124D
4.433619MHz	HC49	30/50/10/20	A124M
4.608MHz	HC49	20/50/10/30	A125C
4.91520MHz	HC49	20/50/10/30	A127A
4.91520MHz	HC49	30/50/10/30	A127B
4.9152MHz	HC49	30/50/20/SR **	A127T
5.0MHz	HC49	20/50/10/30	A128B
5.0MHz	HC49	30/50/20/20 **	A128U
5.06880MHz	HC49	20/50/10/SR	A129A
5.0688MHz	HC49	30/50/20/SR **	A129T
5.24288MHz	HC49	20/30/10/12	A186A
6.0MHz	HC49	20/50/10/30	A132A
6.0MHz	HC49	30/50/10/30	A132B
6.0MHz	HC49	30/50/20/SR **	A132T
6.1440MHz	HC49	20/50/10/30	A133A
6.1440MHz	HC49	20/50/0/12	A133B
6.144MHz	HC49	30/50/20/20 **	A133U
6.144MHz	HC49	30/50/20/SR **	A133T
6.55360MHz	HC49	20/30/10/12	A135A
7.37280MHz	HC49	20/50/10/30	A194A
7.37280MHz	HC49	30/50/20/SR	A194D
7.3728MHz	HC49	30/50/20/20 **	A194U
7.6800MHz	HC49	20/50/10/30	A138A
8.0MHz	HC49	20/50/10/30	A140A
8.0MHz	HC49	30/50/10/30	A140B
8.0MHz	HC49	30/50/20/20 **	A140U
8.0MHz	HC49	30/50/20/SR **	A140T
8.192MHz	HC49	20/50/10/30	A170A
8.388608MHz	HC49	20/50/10/30	A141A
8.8672370MHz	HC49	30/30/10/20	A154A
9.83040MHz	HC49	20/50/10/30	A173A
10.0MHz	HC49	20/10/20/30	A143A

Frequency	Holder	Specification	Stock No.
10.0MHz	HC49	20/50/10/30	A143E
10.0MHz	HC49	30/50/20/SR **	A143T
10.70MHz	HC49	20/50/10/30	A144A
10.752MHz	HC49	20/30/10/30	A212A
11.0MHz	HC49	20/30/10/30	A193A
11.05920MHz	HC49	20/30/10/20	L108A
11.05920MHz	HC49	20/30/10/30	L108C
11.05920MHz	HC49	30/50/10/20	L108D
11.0592MHz	HC49	30/50/20/20 **	L108U
11.0592MHz	HC49	30/50/20/SR **	L108T
11.28960MHz	HC49	20/30/10/30	A214A
12.0MHz	HC49	20/30/10/30	A158A
12.0MHz	HC49	30/50/10/30	A158B
12.0MHz	HC49	30/50/20/20 **	A158U
12.0MHz	HC49	30/50/20/SR **	A158T
12.2880MHz	HC49	20/30/10/30	A175A
12.288MHz	HC49	30/50/20/20 **	A175U
12.288MHz	HC49	30/50/20/SR **	A175T
14.0MHz	HC49	20/50/10/30	A195A
14.31318MHz	HC49	30/50/20/SR **	A153T
14.31818MHz	HC49	20/50/10/SR	A153A
14.74560MHz	HC49	20/30/10/30	A159A
14.74560MHz	HC49	20/50/10/SR	A159B
14.7456MHz	HC49	30/50/20/SR **	A159T
15.0MHz	HC49	20/50/10/SR	A160C
15.36MHz	HC49	20/30/10/30	M451A
16.0MHz	HC49	20/30/10/30	A161A
16.0MHz	HC49	30/50/10/30	A161N
16.0MHz	HC49	30/50/20/20 **	A161U
16.0MHz	HC49	30/50/20/SR **	A161T
18.432MHz	HC49	30/50/20/20 **	A146U
18.432MHz	HC49	30/50/20/SR **	A146T
19.66080MHz	HC49	20/50/10/SR	A182A
19.66080MHz	HC49	30/50/10/18	A182C
19.6608MHz	HC49	30/50/20/SR **	A182T
20.0MHz	HC49	20/50/10/30	A147A
20.0MHz	HC49	20/30/10/SR	A147C
20.0MHz	HC49	30/50/10/30	A147D
20.0MHz	HC49	30/50/20/SR **	A147T
20.48MHz	HC49	30/50/10/30	A208B
22.11840MHz	HC49	20/50/10/SR Fund	A183A
22.5792MHz	HC49	10/20/10/15 Fund	A315A
24.0MHz	HC49	20/50/10/SR Fund	A189A
24.00014MHz	HC49	15/30/10/18 Fund	A210A
24.5760MHz	HC49	20/50/10/30 Fund	A223A
25.0MHz	HC49	20/50/10/SR Fund	A187B
32.0MHz	HC49	20/30/10/SR 3rd	A166A

QUARTZ
CRYSTALS

Frequency	Holder	Specification	Stock No.
32.0MHz	HC49	30/50/10/SR Fund	A166M
35.25120MHz	HC49	15/30/10/18/3rd	A216A
40.320MHz	HC49	15/30/10/18/3rd	A220A
Please note Specifications followed by ** denote USA specification.			

HC51 & HC33 CRYSTALS

Frequency	Holder	Specification	Stock No.
2.0MHz	HC51	20/50/10/30	A114D
2.45760MHz	HC33	20/50/10/30	A116A

CRYSTAL ACCESSORIES

Description	For Holder	Stock No.
Insulators (Mylar, 3 holes)	UM1 (HC45)	M153C
Insulators (Mylar, 3 holes)	HC49	M153B
Insulator (PTFE, 2 holes)	HC49	M153D
Insulators (Mylar, 2 holes)	HC51 (HC33)	M154A
Clips	HC49	M156A