

# YUNPEN USA

## YB-T1, YB-T3 SERIES

### 1. FEATURES

- General purpose filter with IEC Connector providing effective line-to-ground noise up to 10 amp., 250VAC
- Low cost
- Compact design
- 250 Fasten terminals (YB-T1)
- Solder lug terminals (YB-T3)
- All parts are approved by **UL, CSA, VDE, SEMKO, NEMKO, DEMKO** and **FIMKO**



YB-T1



YB-T3

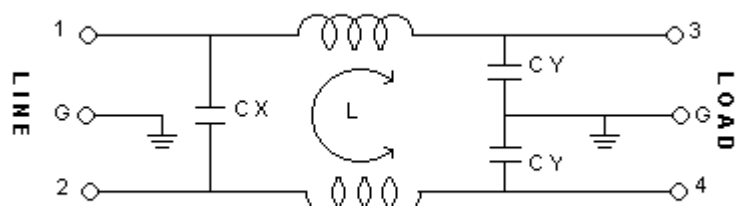
### 2. SPECIFICATIONS

ITEM \ MODEL		YB01T1/YB01T3	YB03T1/YB03T3	YB06T1/YB06T3	YB10T1/YB10T3
RATED VOLTAGE		250V AC	250V AC	250V AC	250V AC
RATED CURRENT		1A	3A	6A	10A
LEAK CURRENT		0.8mA MAX 250V,50HZ	0.8mA MAX 250V,50HZ	0.8mA MAX 250V,50HZ	0.8mA MAX 250V,50HZ
TEST VOLTAGE	LINE TO LINE	1450V DC	1450V DC	1450V DC	1450V DC
	LINE TO GROUND	2250V DC	2250V DC	2250V DC	2250V DC
INSULATION RESISTANCE		100M ohm MIN 250VDC	100M ohm MIN 250VDC	100M ohm MIN 250VDC	100M ohm MIN 250VDC
DIRECT CURRENT RESISTANCE		0.5 ohm MAX	0.2 ohm MAX	0.15 ohm MAX	0.1 ohm MAX
TEMPERATURE RISE		30C MAX	30C MAX	30C MAX	30C MAX
OPERATING TEMPERATURE		-25 ~ +85C	-25 ~ +85C	-25 ~ +85C	-25 ~ +85C
ATTENUATION	NORMAL MODE 25dbMIN	0.50 ~ 45MHZ	0.60 ~ 50MHZ	0.80 ~ 50MHZ	1.20 ~ 50MHZ
	COMMON MODE 25dbMIN	0.10 ~ 40MHZ	0.15 ~ 50MHZ	0.40 ~ 50MHZ	1.40 ~ 50MHZ
CX		0.1uF	0.1uF	0.1uF	0.1uF
CY		3300pF*2	3300pF*2	3300pF*2	3300pF*2
INDUCTANCE		3.7mH*2	1.8mH*2	0.7mH*2	0.3mH*2

### 3. NOISE ATTENUATION (dB)

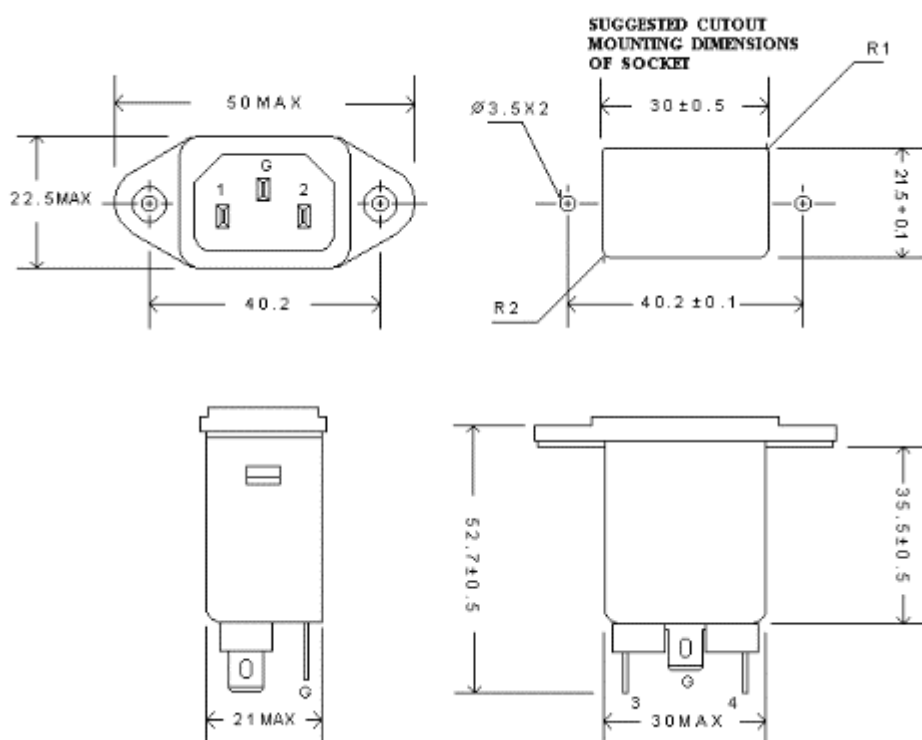
COMMON MODE (LINE TO GROUND) IN 50 OHM SYSTEM							
TYPE	CURRENT RATING	FREQUENCY-MHZ					
		0.15	0.5	1.0	5.0	10.0	30.0
YB01T1/YB01T3	1A	18	19	22	36	35	44
YB03T1/YB03T3	3A	20	27	32	37	38	48
YB06T1/YB06T3	6A	12	18	24	38	41	37
YB10T1/YB10T3	10A	6	15	20	32	36	43
DIFFERENTIAL MODE (LINE TO LINE) IN 50 OHM SYSTEM							
YB01T1/YB01T3	1A	8	17	23	41	39	44
YB03T1/YB03T3	3A	7	18	26	38	42	45
YB06T1/YB06T3	6A	6	16	21	45	44	43
YB10T1/YB10T3	10A	4	14	19	35	43	41

### 4. CIRCUIT



### 5. DIMENSION (mm)

#### YB01T1~YB10T1



#### YB01T3~YB10T3

