

# ADC08200 8-Bit, 20 Msps to 200 Msps, Low Power A/D Converter with Internal Sample-and-Hold

Check for Samples: [ADC08200](#)

## FEATURES

- Single-Ended Input
- Internal Sample-and-Hold Function
- Low Voltage (Single +3V) Operation
- Small Package
- Power-Down Feature

## KEY SPECIFICATIONS

- Resolution 8 Bits
- Maximum sampling frequency 200 Msps (min)
- DNL  $\pm 0.4$  LSB (typ)
- ENOB ( $f_{IN} = 50$  MHz) 7.3 bits (typ)
- THD ( $f_{IN} = 50$  MHz) 61 dB (typ)
- Power Consumption
  - Operating 1.05 mW/Msps (typ)
  - Power Down 1 mW (typ)

## APPLICATIONS

- Flat Panel Displays
- Projection Systems
- Set-Top Boxes
- Battery-Powered Instruments
- Communications
- Medical Imaging
- Astronomy

## DESCRIPTION

The ADC08200 is a low-power, 8-bit, monolithic analog-to-digital converter with an on-chip track-and-hold circuit. Optimized for low cost, low power, small size and ease of use, this product operates at conversion rates up to 230 Msps while consuming just 1.05 mW per MHz of clock frequency, or 210 mW at 200 Msps. Raising the PD pin puts the ADC08200 into a Power Down mode where it consumes about 1 mW.

The unique architecture achieves 7.3 Effective Bits with 50 MHz input frequency. The ADC08200 is resistant to latch-up and the outputs are short-circuit proof. The top and bottom of the ADC08200's reference ladder are available for connections, enabling a wide range of input possibilities. The digital outputs are TTL/CMOS compatible with a separate output power supply pin to support interfacing with 3V or 2.5V logic. The digital inputs (CLK and PD) are TTL/CMOS compatible. The output data format is straight binary.

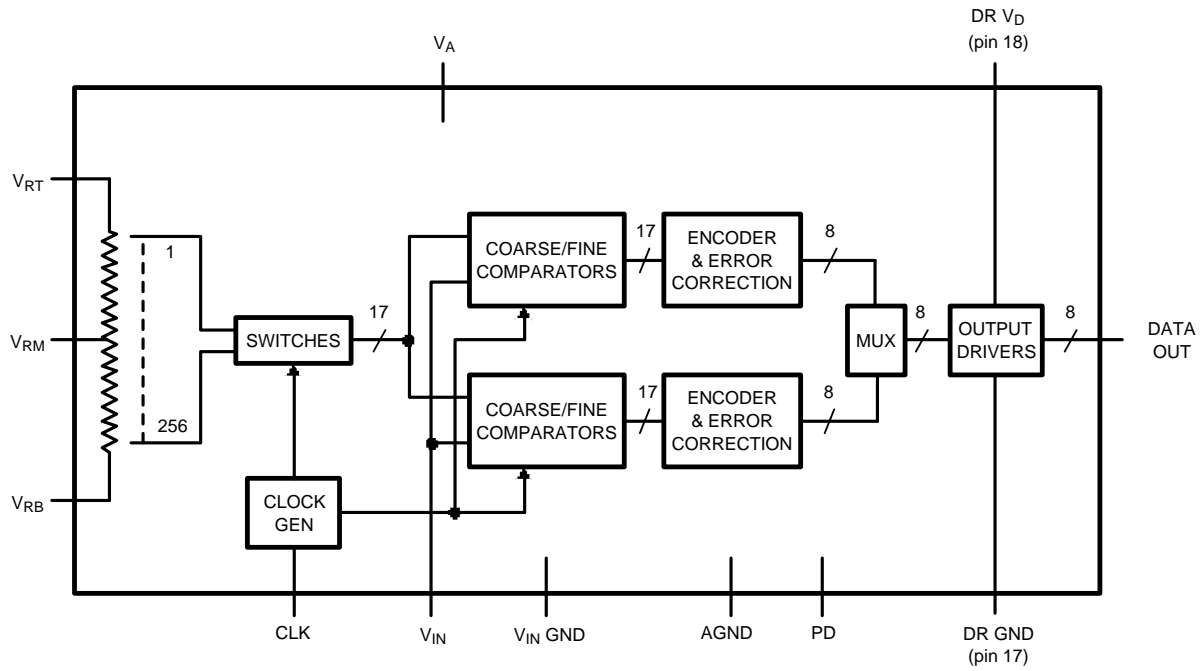
The ADC08200 is offered in a 24-lead TSSOP package and, while specified over the industrial temperature range of  $-40^{\circ}\text{C}$  to  $+85^{\circ}\text{C}$ , it will function over the to  $-40^{\circ}\text{C}$  to  $+105^{\circ}\text{C}$  temperature range.



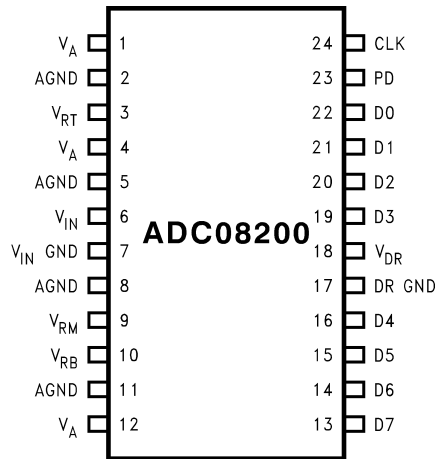
Please be aware that an important notice concerning availability, standard warranty, and use in critical applications of Texas Instruments semiconductor products and disclaimers thereto appears at the end of this data sheet.

All trademarks are the property of their respective owners.

**Block Diagram**

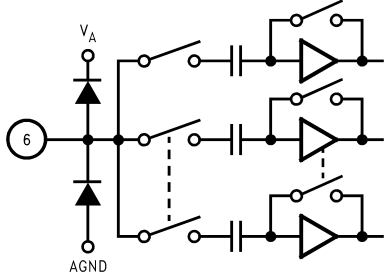
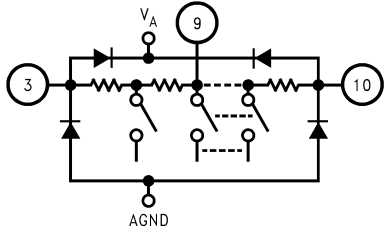
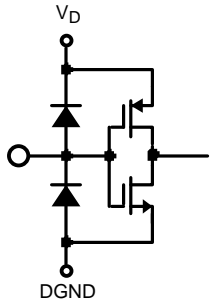
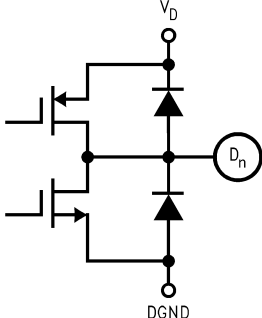


**Pin Configuration**



**Figure 1. 24-Lead TSSOP**  
See PW Package

PIN DESCRIPTIONS AND EQUIVALENT CIRCUITS

| Pin No.                   | Symbol       | Equivalent Circuit  | Description  |
|---------------------------|--------------|---|--|
| 6                         | $V_{IN}$     |    | Analog signal input. Conversion range is $V_{RB}$ to $V_{RT}$ .  |
| 3                         | $V_{RT}$     |    | Analog Input that is the high (top) side of the reference ladder of the ADC. Nominal range is 0.5V to $V_A$ . Voltage on $V_{RT}$ and $V_{RB}$ inputs define the $V_{IN}$ conversion range. Bypass well. See <a href="#">THE ANALOG INPUT</a> for more information.                |
| 9                         | $V_{RM}$     |   | Mid-point of the reference ladder. This pin should be bypassed to a quiet point in the ground plane with a 0.1 $\mu$ F capacitor.  |
| 10                        | $V_{RB}$     |   | Analog Input that is the low side (bottom) of the reference ladder of the ADC. Nominal range is 0.0V to ( $V_{RT} - 0.5V$ ). Voltage on $V_{RT}$ and $V_{RB}$ inputs define the $V_{IN}$ conversion range. Bypass well. See <a href="#">THE ANALOG INPUT</a> for more information. |
| 23                        | PD           |   | Power Down input. When this pin is high, the converter is in the Power Down mode and the data output pins hold the last conversion result.   |
| 24                        | CLK          |   | CMOS/TTL compatible digital clock Input. $V_{IN}$ is sampled on the rising edge of CLK input.  |
| 13 thru 16 and 19 thru 22 | D0–D7        |  | Conversion data digital Output pins. D0 is the LSB, D7 is the MSB. Valid data is output just after the rising edge of the CLK input.   |
| 7                         | $V_{IN}$ GND |   | Reference ground for the single-ended analog input, $V_{IN}$ .   |
| 1, 4, 12                  | $V_A$        |   | Positive analog supply pin. Connect to a quiet voltage source of +3V. $V_A$ should be bypassed with a 0.1 $\mu$ F ceramic chip capacitor for each pin, plus one 10 $\mu$ F capacitor. See <a href="#">POWER SUPPLY CONSIDERATIONS</a> for more information.                        |
| 18                        | $V_{DR}$     |   | Power supply for the output drivers. If connected to $V_A$ , decouple well from $V_A$ .  |
| 17                        | DR GND       |   | The ground return for the output driver supply.  |
| 2, 5, 8, 11               | AGND         |   | The ground return for the analog supply.   |



These devices have limited built-in ESD protection. The leads should be shorted together or the device placed in conductive foam during storage or handling to prevent electrostatic damage to the MOS gates.

### Absolute Maximum Ratings <sup>(1)(2)(3)</sup>

|  |                                 |       |
|--|---------------------------------|-------|
| Supply Voltage ( $V_A$ )                                   | 3.8V                            |       |
| Driver Supply Voltage ( $V_{DR}$ )                         | $V_A + 0.3V$                    |       |
| Voltage on Any Input or Output Pin                         | $-0.3V$ to $V_A$                |       |
| Reference Voltage ( $V_{RT}$ , $V_{RB}$ )                  | $V_A$ to AGND                   |       |
| CLK, PD Voltage Range                                      | $-0.05V$ to $(V_A + 0.05V)$     |       |
| Input Current at Any Pin <sup>(4)</sup>                    | $\pm 25$ mA                     |       |
| Package Input Current <sup>(4)</sup>                       | $\pm 50$ mA                     |       |
| Power Dissipation at $T_A = 25^\circ C$                    | See <sup>(5)</sup>              |       |
| ESD Susceptibility <sup>(6)</sup>                          | Human Body Model                | 2500V |
|  | Machine Model                   | 200V  |
| Soldering Temperature, Infrared, 10 seconds <sup>(7)</sup> | 235°C                           |       |
| Storage Temperature  | $-65^\circ C$ to $+150^\circ C$ |       |

- (1) All voltages are measured with respect to GND = AGND = DR GND = 0V, unless otherwise specified.
- (2) Absolute Maximum Ratings indicate limits beyond which damage to the device may occur. Operating Ratings indicate conditions for which the device is functional, but do not ensure specific performance limits. For ensured specifications and test conditions, see the Electrical Characteristics. The ensured specifications apply only for the test conditions listed. Some performance characteristics may degrade when the device is not operated under the listed test conditions.
- (3) If Military/Aerospace specified devices are required, please contact the Texas Instruments Sales Office/ Distributors for availability and specifications.
- (4) When the input voltage at any pin exceeds the power supplies (that is, less than AGND or DR GND, or greater than  $V_A$  or  $V_{DR}$ ), the current at that pin should be limited to 25 mA. The 50 mA maximum package input current rating limits the number of pins that can safely exceed the power supplies with an input current of 25 mA to two.
- (5) The absolute maximum junction temperature ( $T_{Jmax}$ ) for this device is 150°C. The maximum allowable power dissipation is dictated by  $T_{Jmax}$ , the junction-to-ambient thermal resistance ( $\theta_{JA}$ ), and the ambient temperature ( $T_A$ ), and can be calculated using the formula  $P_{DMAX} = (T_{Jmax} - T_A) / \theta_{JA}$ . The values for maximum power dissipation listed above will be reached only when this device is operated in a severe fault condition (e.g., when input or output pins are driven beyond the power supply voltages, or the power supply polarity is reversed). Obviously, such conditions should always be avoided.
- (6) Human body model is 100 pF capacitor discharged through a 1.5 kΩ resistor. Machine model is 220 pF discharged through ZERO Ohms.
- (7) See AN-450, "Surface Mounting Methods and Their Effect on Product Reliability" ([SNOA742](#)).

### Operating Ratings <sup>(1)(2)</sup>

|                                      |  |
|--------------------------------------|--|
| Operating Temperature Range          | $-40^\circ C \leq T_A \leq +105^\circ C$ |
| Supply Voltage ( $V_A$ )             | +2.7V to +3.6V                           |
| Driver Supply Voltage ( $V_{DR}$ )   | +2.4V to $V_A$                           |
| Ground Difference  GND - DR GND      | 0V to 300 mV                             |
| Upper Reference Voltage ( $V_{RT}$ ) | 0.5V to $(V_A - 0.3V)$                   |
| Lower Reference Voltage ( $V_{RB}$ ) | 0V to $(V_{RT} - 0.5V)$                  |
| $V_{IN}$ Voltage Range               | $V_{RB}$ to $V_{RT}$                     |

- (1) Absolute Maximum Ratings indicate limits beyond which damage to the device may occur. Operating Ratings indicate conditions for which the device is functional, but do not ensure specific performance limits. For ensured specifications and test conditions, see the Electrical Characteristics. The ensured specifications apply only for the test conditions listed. Some performance characteristics may degrade when the device is not operated under the listed test conditions.
- (2) All voltages are measured with respect to GND = AGND = DR GND = 0V, unless otherwise specified.

### Package Thermal Resistance

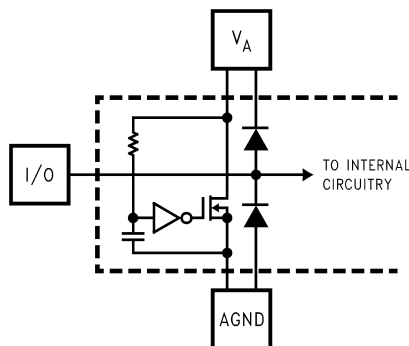
| Package       | $\theta_{JA}$ |
|---------------|---------------|
| 24-Lead TSSOP | 92°C/W        |

### Converter Electrical Characteristics

The following specifications apply for  $V_A = V_{DR} = +3.0V_{DC}$ ,  $V_{RT} = +1.9V$ ,  $V_{RB} = 0.3V$ ,  $C_L = 5\text{ pF}$ ,  $f_{CLK} = 200\text{ MHz}$  at 50% duty cycle. **Boldface limits apply for  $T_J = T_{MIN}$  to  $T_{MAX}$** ; all other limits  $T_J = 25^\circ\text{C}$  <sup>(1)(2)(3)</sup>

| Symbol  | Parameter                   | Conditions                            | Typical <sup>(4)</sup> | Limits <sup>(4)</sup>        | Units (Limits)         |
|---|-----------------------------|---------------------------------------|------------------------|------------------------------|------------------------|
| <b>DC ACCURACY</b>                                |                             |                                       |                        |                              |                        |
| INL   | Integral Non-Linearity      |                                       | +1.0<br>-0.3           | <b>+1.9</b><br><b>-1.2</b>   | LSB (max)<br>LSB (min) |
| DNL   | Differential Non-Linearity  |                                       | $\pm 0.4$              | <b><math>\pm 0.95</math></b> | LSB (max)              |
|   | Missing Codes               |                                       |                        | <b>0</b>                     | (max)                  |
| FSE   | Full Scale Error            |                                       | 36                     | <b>50</b>                    | mV (max)               |
| $V_{OFF}$   | Zero Scale Offset Error     |                                       | 46                     | <b>60</b>                    | mV (max)               |
| <b>ANALOG INPUT AND REFERENCE CHARACTERISTICS</b> |                             |                                       |                        |                              |                        |
| $V_{IN}$  | Input Voltage               |                                       | 1.6                    | $V_{RB}$<br>$V_{RT}$         | V (min)<br>V (max)     |
| $C_{IN}$  | $V_{IN}$ Input Capacitance  | $V_{IN} = 0.75V + 0.5\text{ Vrms}$    | (CLK LOW)              | 3                            | pF                     |
|   |                             |                                       | (CLK HIGH)             | 4                            | pF                     |
| $R_{IN}$  | $R_{IN}$ Input Resistance   |                                       | >1                     |                              | M $\Omega$             |
| BW  | Full Power Bandwidth        |                                       | 500                    |                              | MHz                    |
| $V_{RT}$  | Top Reference Voltage       |                                       | 1.9                    | $V_A$                        | V (max)                |
|   |                             |                                       |                        | <b>0.5</b>                   | V (min)                |
| $V_{RB}$  | Bottom Reference Voltage    |                                       | 0.3                    | $V_{RT} - 0.5$               | V (max)                |
|   |                             |                                       |                        | <b>0</b>                     | V (min)                |
| $V_{RT} - V_{RB}$                                 | Reference Voltage Delta     |                                       | 1.6                    | 1.0                          | V (min)                |
|   |                             |                                       |                        | 2.3                          | V (max)                |
| $R_{REF}$   | Reference Ladder Resistance | $V_{RT}$ to $V_{RB}$                  | 160                    | <b>120</b>                   | $\Omega$ (min)         |
|   |                             |                                       |                        | <b>200</b>                   | $\Omega$ (max)         |
| <b>CLK, PD DIGITAL INPUT CHARACTERISTICS</b>      |                             |                                       |                        |                              |                        |
| $V_{IH}$  | Logical High Input Voltage  | $V_{DR} = V_A = 3.6V$                 |                        | <b>2.0</b>                   | V (min)                |
| $V_{IL}$  | Logical Low Input Voltage   | $V_{DR} = V_A = 2.7V$                 |                        | <b>0.8</b>                   | V (max)                |
| $I_{IH}$  | Logical High Input Current  | $V_{IH} = V_{DR} = V_A = 3.6V$        | 10                     |                              | nA                     |
| $I_{IL}$  | Logical Low Input Current   | $V_{IL} = 0V$ , $V_{DR} = V_A = 2.7V$ | -50                    |                              | nA                     |
| $C_{IN}$  | Logic Input Capacitance     |                                       | 3                      |                              | pF                     |

- The Electrical characteristics tables list ensured specifications under the listed Recommended Conditions except as otherwise modified or specified by the Electrical Characteristics Conditions and/or Notes. Typical specifications are estimations for room temperature only and are not ensured.
- The analog inputs are protected as shown below. Input voltage magnitudes up to  $V_A + 300\text{ mV}$  or to 300 mV below GND will not damage this device. However, errors in the A/D conversion can occur if the input goes above  $V_{DR}$  or below GND by more than 100 mV. For example, if  $V_A$  is  $2.7V_{DC}$  the full-scale input voltage must be  $\leq 2.8V_{DC}$  to ensure accurate conversions.



- To ensure accuracy, it is required that  $V_A$  and  $V_{DR}$  be well bypassed. Each supply pin must be decoupled with separate bypass capacitors.
- Typical figures are at  $T_J = 25^\circ\text{C}$ , and represent most likely parametric norms. Test limits are specific to TI's AOQL (Average Outgoing Quality Level).

### Converter Electrical Characteristics (continued)

The following specifications apply for  $V_A = V_{DR} = +3.0V_{DC}$ ,  $V_{RT} = +1.9V$ ,  $V_{RB} = 0.3V$ ,  $C_L = 5\text{ pF}$ ,  $f_{CLK} = 200\text{ MHz}$  at 50% duty cycle. **Boldface limits apply for  $T_J = T_{MIN}$  to  $T_{MAX}$** ; all other limits  $T_J = 25^\circ\text{C}$  <sup>(1)(2)(3)</sup>

| Symbol                                | Parameter                    | Conditions   | Typical <sup>(4)</sup> | Limits <sup>(4)</sup> | Units (Limits) |
|---------------------------------------|------------------------------|--|------------------------|-----------------------|----------------|
| <b>DIGITAL OUTPUT CHARACTERISTICS</b> |                              |  |                        |                       |                |
| $V_{OH}$                              | High Level Output Voltage    | $V_A = V_{DR} = 2.7V$ , $I_{OH} = -400\ \mu\text{A}$   | 2.6                    | <b>2.4</b>            | V (min)        |
| $V_{OL}$                              | Low Level Output Voltage     | $V_A = V_{DR} = 2.7V$ , $I_{OL} = 1.0\text{ mA}$   | 0.4                    | <b>0.5</b>            | V (max)        |
| <b>DYNAMIC PERFORMANCE</b>            |                              |  |                        |                       |                |
| ENOB                                  | Effective Number of Bits     | $f_{IN} = 4\text{ MHz}$ , $V_{IN} = FS - 0.25\text{ dB}$   | 7.5                    |                       | Bits           |
|                                       |                              | $f_{IN} = 20\text{ MHz}$ , $V_{IN} = FS - 0.25\text{ dB}$  | 7.4                    |                       | Bits           |
|                                       |                              | $f_{IN} = 50\text{ MHz}$ , $V_{IN} = FS - 0.25\text{ dB}$  | 7.3                    | <b>6.9</b>            | Bits (min)     |
|                                       |                              | $f_{IN} = 70\text{ MHz}$ , $V_{IN} = FS - 0.25\text{ dB}$  | 7.2                    |                       | Bits           |
|                                       |                              | $f_{IN} = 100\text{ MHz}$ , $V_{IN} = FS - 0.25\text{ dB}$   | 7.0                    |                       | Bits           |
| SINAD                                 | Signal-to-Noise & Distortion | $f_{IN} = 4\text{ MHz}$ , $V_{IN} = FS - 0.25\text{ dB}$   | 47                     |                       | dB             |
|                                       |                              | $f_{IN} = 20\text{ MHz}$ , $V_{IN} = FS - 0.25\text{ dB}$  | 46                     |                       | dB             |
|                                       |                              | $f_{IN} = 50\text{ MHz}$ , $V_{IN} = FS - 0.25\text{ dB}$  | 46                     | <b>43.3</b>           | dB (min)       |
|                                       |                              | $f_{IN} = 70\text{ MHz}$ , $V_{IN} = FS - 0.25\text{ dB}$  | 45                     |                       | dB             |
|                                       |                              | $f_{IN} = 100\text{ MHz}$ , $V_{IN} = FS - 0.25\text{ dB}$   | 44                     |                       | dB             |
| SNR                                   | Signal-to-Noise Ratio        | $f_{IN} = 4\text{ MHz}$ , $V_{IN} = FS - 0.25\text{ dB}$   | 47                     |                       | dB             |
|                                       |                              | $f_{IN} = 20\text{ MHz}$ , $V_{IN} = FS - 0.25\text{ dB}$  | 46                     |                       | dB             |
|                                       |                              | $f_{IN} = 50\text{ MHz}$ , $V_{IN} = FS - 0.25\text{ dB}$  | 46                     | <b>43.4</b>           | dB (min)       |
|                                       |                              | $f_{IN} = 70\text{ MHz}$ , $V_{IN} = FS - 0.25\text{ dB}$  | 45                     |                       | dB             |
|                                       |                              | $f_{IN} = 100\text{ MHz}$ , $V_{IN} = FS - 0.25\text{ dB}$   | 44                     |                       | dB             |
| SFDR                                  | Spurious Free Dynamic Range  | $f_{IN} = 4\text{ MHz}$ , $V_{IN} = FS - 0.25\text{ dB}$   | 60                     |                       | dBc            |
|                                       |                              | $f_{IN} = 20\text{ MHz}$ , $V_{IN} = FS - 0.25\text{ dB}$  | 58                     |                       | dBc            |
|                                       |                              | $f_{IN} = 50\text{ MHz}$ , $V_{IN} = FS - 0.25\text{ dB}$  | 60                     |                       | dBc            |
|                                       |                              | $f_{IN} = 70\text{ MHz}$ , $V_{IN} = FS - 0.25\text{ dB}$  | 57                     |                       | dBc            |
|                                       |                              | $f_{IN} = 100\text{ MHz}$ , $V_{IN} = FS - 0.25\text{ dB}$   | 54                     |                       | dBc            |
| THD                                   | Total Harmonic Distortion    | $f_{IN} = 4\text{ MHz}$ , $V_{IN} = FS - 0.25\text{ dB}$   | -60                    |                       | dBc            |
|                                       |                              | $f_{IN} = 20\text{ MHz}$ , $V_{IN} = FS - 0.25\text{ dB}$  | -58                    |                       | dBc            |
|                                       |                              | $f_{IN} = 50\text{ MHz}$ , $V_{IN} = FS - 0.25\text{ dB}$  | -60                    |                       | dBc            |
|                                       |                              | $f_{IN} = 70\text{ MHz}$ , $V_{IN} = FS - 0.25\text{ dB}$  | -56                    |                       | dBc            |
|                                       |                              | $f_{IN} = 100\text{ MHz}$ , $V_{IN} = FS - 0.25\text{ dB}$   | -53                    |                       | dBc            |
| HD2                                   | 2nd Harmonic Distortion      | $f_{IN} = 4\text{ MHz}$ , $V_{IN} = FS - 0.25\text{ dB}$   | -66                    |                       | dBc            |
|                                       |                              | $f_{IN} = 20\text{ MHz}$ , $V_{IN} = FS - 0.25\text{ dB}$  | -68                    |                       | dBc            |
|                                       |                              | $f_{IN} = 50\text{ MHz}$ , $V_{IN} = FS - 0.25\text{ dB}$  | -66                    |                       | dBc            |
|                                       |                              | $f_{IN} = 70\text{ MHz}$ , $V_{IN} = FS - 0.25\text{ dB}$  | -60                    |                       | dBc            |
|                                       |                              | $f_{IN} = 100\text{ MHz}$ , $V_{IN} = FS - 0.25\text{ dB}$   | -55                    |                       | dBc            |
| HD3                                   | 3rd Harmonic Distortion      | $f_{IN} = 4\text{ MHz}$ , $V_{IN} = FS - 0.25\text{ dB}$   | -72                    |                       | dBc            |
|                                       |                              | $f_{IN} = 20\text{ MHz}$ , $V_{IN} = FS - 0.25\text{ dB}$  | -58                    |                       | dBc            |
|                                       |                              | $f_{IN} = 50\text{ MHz}$ , $V_{IN} = FS - 0.25\text{ dB}$  | -72                    |                       | dBc            |
|                                       |                              | $f_{IN} = 70\text{ MHz}$ , $V_{IN} = FS - 0.25\text{ dB}$  | -58                    |                       | dBc            |
|                                       |                              | $f_{IN} = 100\text{ MHz}$ , $V_{IN} = FS - 0.25\text{ dB}$   | -60                    |                       | dBc            |
| IMD                                   | Intermodulation Distortion   | $f_1 = 11\text{ MHz}$ , $V_{IN} = FS - 6.25\text{ dB}$<br>$f_2 = 12\text{ MHz}$ , $V_{IN} = FS - 6.25\text{ dB}$ | -55                    |                       | dBc            |

### Converter Electrical Characteristics (continued)

The following specifications apply for  $V_A = V_{DR} = +3.0V_{DC}$ ,  $V_{RT} = +1.9V$ ,  $V_{RB} = 0.3V$ ,  $C_L = 5\text{ pF}$ ,  $f_{CLK} = 200\text{ MHz}$  at 50% duty cycle. **Boldface limits apply for  $T_J = T_{MIN}$  to  $T_{MAX}$** ; all other limits  $T_J = 25^\circ\text{C}$  <sup>(1)(2)(3)</sup>

| Symbol                               | Parameter                                       | Conditions   | Typical <sup>(4)</sup> | Limits <sup>(4)</sup>    | Units (Limits)       |
|--------------------------------------|---|--|------------------------|--------------------------|----------------------|
| <b>POWER SUPPLY CHARACTERISTICS</b>  |   |  |                        |                          |                      |
| $I_A$                                | Analog Supply Current                           | DC Input   | 69.75                  | <b>86</b>                | mA (max)             |
|                                      |   | $f_{IN} = 10\text{ MHz}$ , $V_{IN} = FS - 3\text{ dB}$   | 69.75                  |                          | mA                   |
| $I_{DR}$                             | Output Driver Supply Current                    | DC Input, PD = Low   | 0.25                   | <b>0.6</b>               | mA (max)             |
| $I_A + I_{DR}$                       | Total Operating Current                         | DC Input, PD = Low   | 70                     | <b>86.6</b>              | mA (max)             |
|                                      |   | CLK Low, PD = Hi   | 0.3                    |                          | mA                   |
| PC                                   | Power Consumption                               | DC Input, Excluding Reference  | 210                    | <b>260</b>               | mW (max)             |
|                                      |   | CLK Low, PD = Hi   | 1                      |                          | mW                   |
| PSRR <sub>1</sub>                    | Power Supply Rejection Ratio                    | FSE change with 2.7V to 3.3V change in $V_A$   | 54                     |                          | dB                   |
| PSRR <sub>2</sub>                    | Power Supply Rejection Ratio                    | SNR reduction with 200 mV at 1MHz on supply  | 45                     |                          | dB                   |
| <b>AC ELECTRICAL CHARACTERISTICS</b> |   |  |                        |                          |                      |
| $f_{C1}$                             | Maximum Conversion Rate                         |  | 230                    | <b>200</b>               | MHz (min)            |
| $f_{C2}$                             | Minimum Conversion Rate                         |  | 10                     |                          | MHz                  |
| $t_{CL}$                             | Minimum Clock Low Time                          |  | 0.87                   | <b>1.0</b>               | ns (min)             |
| $t_{CH}$                             | Minimum Clock High Time                         |  | 0.65                   | <b>0.75</b>              | ns (min)             |
| $t_{OH}$                             | Output Hold Time, Output Falling <sup>(5)</sup> | CLK to Data Invalid, $V_A = 3.3V$ to $3.6V$ , $t_A = -40^\circ\text{C}$ to $+105^\circ\text{C}$ , $C_L = 8\text{ pF}$    | 2.4                    | <b>3.3</b>               | ns (max)             |
|                                      | Output Hold Time, Output Rising <sup>(5)</sup>  | CLK to Data Invalid, $V_A = 3.3V$ to $3.6V$ , $t_A = -40^\circ\text{C}$ to $+105^\circ\text{C}$ , $C_L = 8\text{ pF}$    | 1.9                    | <b>2.5</b>               | ns (max)             |
| $t_{OD}$                             | Output Delay, Output Falling <sup>(5)</sup>     | CLK to Data Transition, $V_A = 3.3V$ to $3.6V$ , $V_A = -40^\circ\text{C}$ to $+105^\circ\text{C}$ , $C_L = 8\text{ pF}$ | 3.9                    | <b>2.4</b><br><b>5.1</b> | ns (min)<br>ns (max) |
|                                      | Output Delay, Output Rising <sup>(5)</sup>      | CLK to Data Transition, $V_A = 3.3V$ to $3.6V$ , $t_A = -40^\circ\text{C}$ to $+105^\circ\text{C}$ , $C_L = 8\text{ pF}$ | 3.3                    | <b>2.4</b><br><b>4.0</b> | ns (min)<br>ns (max) |
| $t_{SLEW}$                           | Output Slew Rate <sup>(6)</sup>                 | Output Falling, $V_A = 3.3V$ , $C_L = 8\text{ pF}$ , $t_A = -40^\circ\text{C}$ to $+105^\circ\text{C}$                   | 0.73                   |                          | V/ns                 |
|                                      |   | Output Rising, $V_A = 3.3V$ , $C_L = 8\text{ pF}$ , $t_A = -40^\circ\text{C}$ to $+105^\circ\text{C}$                    | 0.88                   |                          | V/ns                 |
|                                      | Pipeline Delay (Latency)                        |  | 6                      |                          | Clock Cycles         |
| $t_{AD}$                             | Sampling (Aperture) Delay                       | CLK Rise to Acquisition of Data  | 2.6                    |                          | ns                   |
| $t_{AJ}$                             | Aperture Jitter                                 |  | 2                      |                          | ps rms               |

(5) These specifications are ensured by design and not tested.

(6) Typical output slew rate is based upon the maximum  $t_{OD}$  and  $t_{OH}$  figures.

## Specification Definitions

**APERTURE (SAMPLING) DELAY** is that time required after the rise of the clock input for the sampling switch to open. The Sample/Hold circuit effectively stops capturing the input signal and goes into the “hold” mode  $t_{AD}$  after the clock goes high.

**APERTURE JITTER** is the variation in aperture delay from sample to sample. Aperture jitter shows up as input noise.

**CLOCK DUTY CYCLE** is the ratio of the time that the clock wave form is at a logic high to the total time of one clock period.

**DIFFERENTIAL NON-LINEARITY (DNL)** is the measure of the maximum deviation from the ideal step size of 1 LSB. Measured at 200 Msp/s with a ramp input.

**EFFECTIVE NUMBER OF BITS (ENOB, or EFFECTIVE BITS)** is another method of specifying Signal-to-Noise and Distortion Ratio, or SINAD. ENOB is defined as  $(\text{SINAD} - 1.76) / 6.02$  and says that the converter is equivalent to a perfect ADC of this (ENOB) number of bits.

**FULL POWER BANDWIDTH** is a measure of the frequency at which the reconstructed output fundamental drops 3 dB below its low frequency value for a full scale input.

**FULL-SCALE ERROR** is a measure of how far the last code transition is from the ideal  $1\frac{1}{2}$  LSB below  $V_{RT}$  and is defined as:

$$V_{\max} + 1.5 \text{ LSB} - V_{RT}$$

where

- $V_{\max}$  is the voltage at which the transition to the maximum (full scale) code occurs (1)

**INTEGRAL NON-LINEARITY (INL)** is a measure of the deviation of each individual code from a line drawn from zero scale ( $\frac{1}{2}$  LSB below the first code transition) through positive full scale ( $\frac{1}{2}$  LSB above the last code transition). The deviation of any given code from this straight line is measured from the center of that code value. The end point test method is used. Measured at 200 Msp/s with a ramp input.

**INTERMODULATION DISTORTION (IMD)** is the creation of additional spectral components as a result of two sinusoidal frequencies being applied to the ADC input at the same time. It is defined as the ratio of the power in the second and third order intermodulation products to the power in one of the original frequencies. IMD is usually expressed in dBFS.

**MISSING CODES** are those output codes that are skipped and will never appear at the ADC outputs. These codes cannot be reached with any input value.

**OUTPUT DELAY** is the time delay after the rising edge of the input clock before the data update is present at the output pins.

**OUTPUT HOLD TIME** is the length of time that the output data is valid after the rise of the input clock.

**PIPELINE DELAY (LATENCY)** is the number of clock cycles between initiation of conversion and when that data is presented to the output driver stage. New data is available at every clock cycle, but the data lags the conversion by the Pipeline Delay plus the Output Delay.

**POWER SUPPLY REJECTION RATIO (PSRR)** is a measure of how well the ADC rejects a change in the power supply voltage. For the ADC08200, PSRR1 is the ratio of the change in Full-Scale Error that results from a change in the DC power supply voltage, expressed in dB. PSRR2 is a measure of how well an AC signal riding upon the power supply is rejected from the output and is here defined as

$$\text{PSRR2} = 20 \text{Log} \left( 4 \sqrt{10^{\frac{-\text{SNR1}}{10}} - 10^{\frac{-\text{SNR0}}{10}}} \right)$$

where

- SNR0 is the SNR measured with no noise or signal on the supply line
- SNR1 is the SNR measured with a 1 MHz, 200 mV<sub>p-p</sub> signal riding upon the supply lines (2)

**SIGNAL TO NOISE RATIO (SNR)** is the ratio, expressed in dB, of the rms value of the input signal at the output to the rms value of the sum of all other spectral components below one-half the sampling frequency, not including harmonics or d.c.



**SIGNAL TO NOISE PLUS DISTORTION (S/(N+D) or SINAD)** is the ratio, expressed in dB, of the rms value of the input signal at the output to the rms value of all of the other spectral components below half the clock frequency, including harmonics but excluding d.c.

**SPURIOUS FREE DYNAMIC RANGE (SFDR)** is the difference, expressed in dB, between the rms values of the input signal at the output and the peak spurious signal, where a spurious signal is any signal present in the output spectrum that is not present at the input.

**TOTAL HARMONIC DISTORTION (THD)** is the ratio expressed in dB, of the rms total of the first nine harmonic levels at the output to the level of the fundamental at the output. THD is calculated as

$$THD = 20 \times \log \sqrt{\frac{A_{f2}^2 + \dots + A_{f10}^2}{A_{f1}^2}}$$

where

- $A_{f1}$  is the RMS power of the fundamental (output) frequency
- $A_{f2}$  through  $A_{f10}$  are the RMS power of the first 9 harmonic frequencies in the output spectrum

**ZERO SCALE OFFSET ERROR** is the error in the input voltage required to cause the first code transition. It is defined as

$$V_{OFF} = V_{ZT} - V_{RB}$$

where

- $V_{ZT}$  is the first code transition input voltage

### Timing Diagram

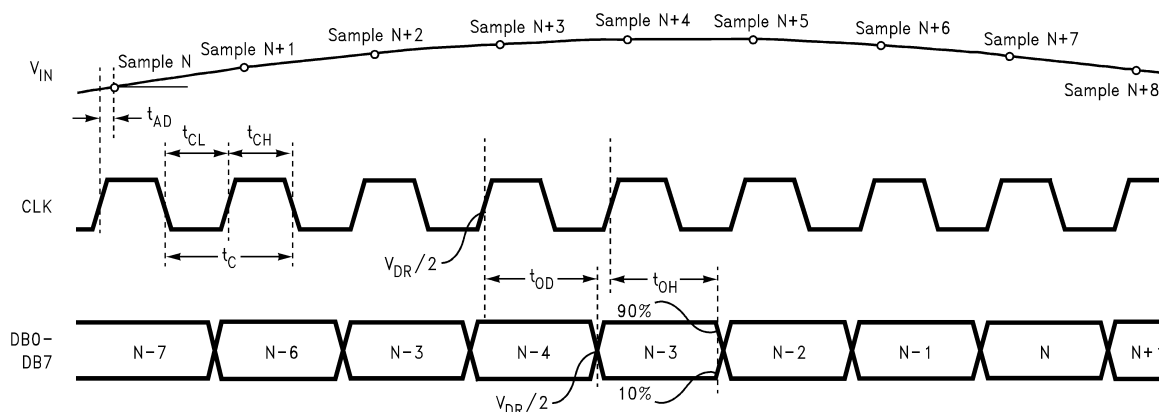


Figure 2. ADC08200 Timing Diagram

### Typical Performance Characteristics

$V_A = V_{DR} = 3V$ ,  $f_{CLK} = 200\text{ MHz}$ ,  $f_{IN} = 50\text{ MHz}$ , unless otherwise stated

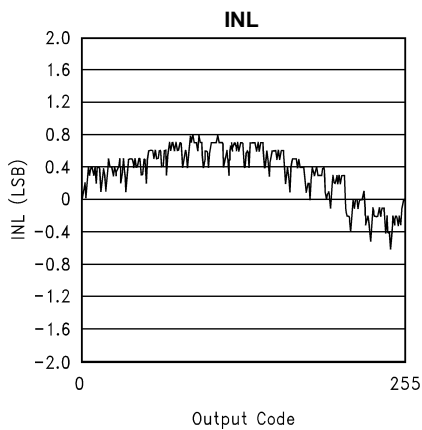


Figure 3.

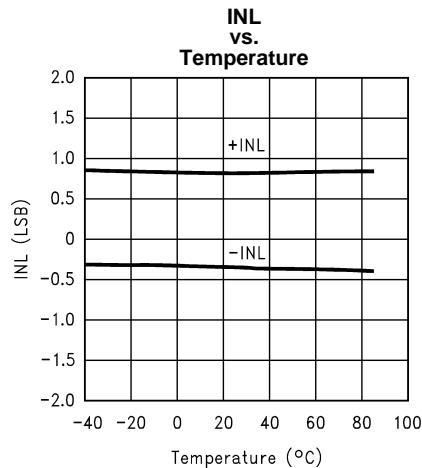


Figure 4.

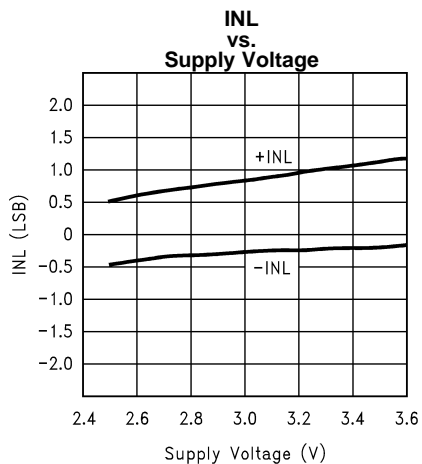


Figure 5.

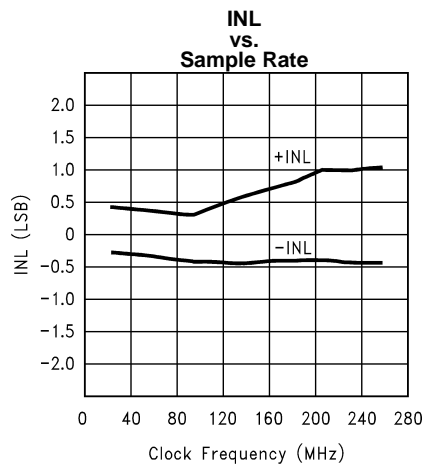


Figure 6.

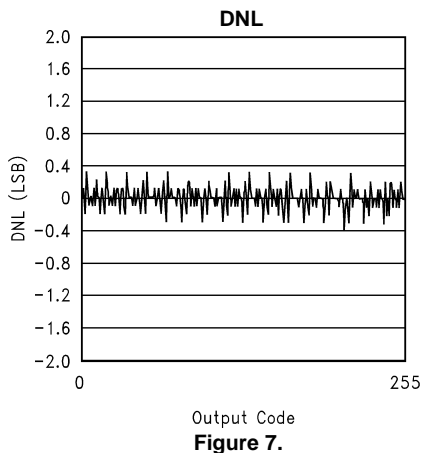


Figure 7.

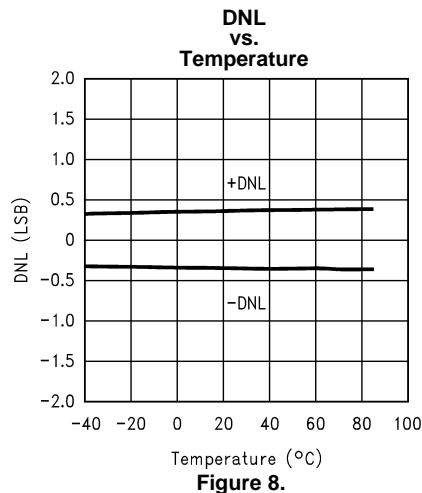


Figure 8.

Typical Performance Characteristics (continued)

$V_A = V_{DR} = 3V$ ,  $f_{CLK} = 200\text{ MHz}$ ,  $f_{IN} = 50\text{ MHz}$ , unless otherwise stated

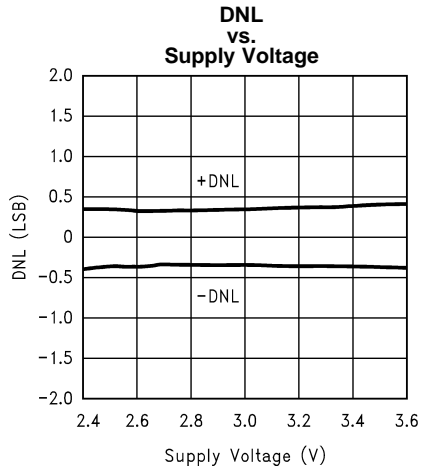


Figure 9.

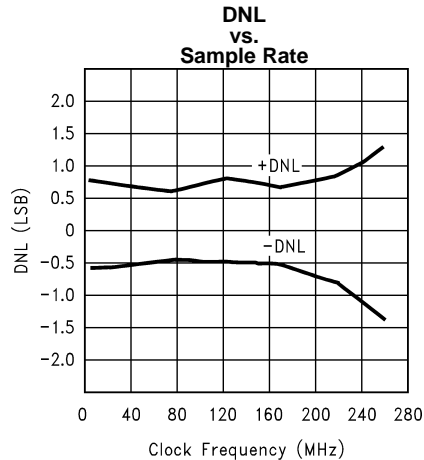


Figure 10.

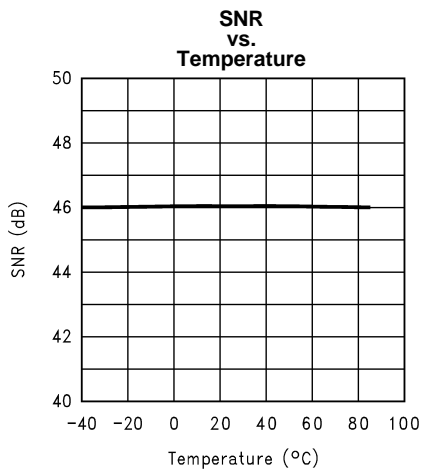


Figure 11.

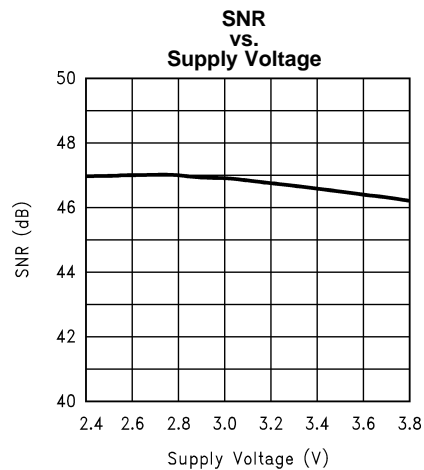


Figure 12.

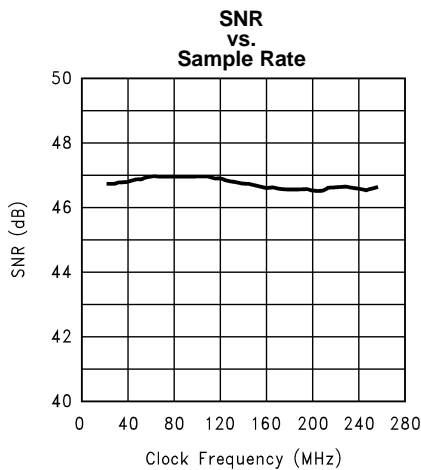


Figure 13.

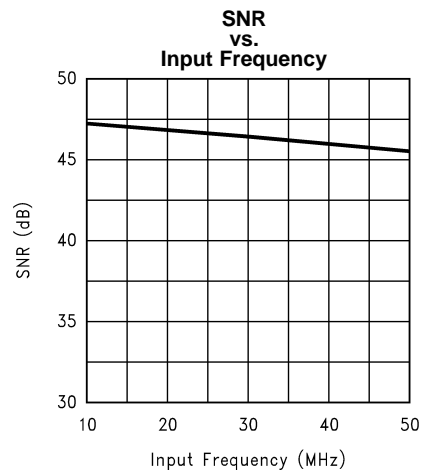
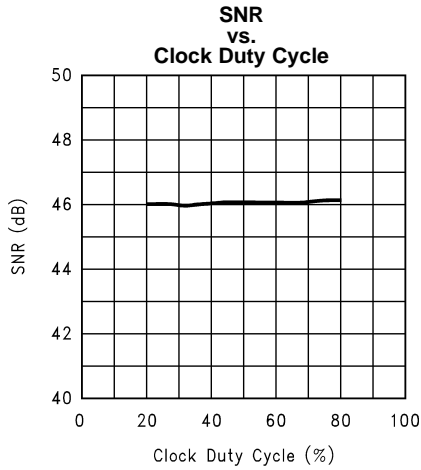


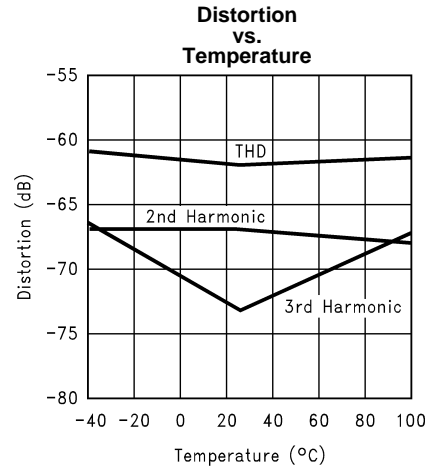
Figure 14.

**Typical Performance Characteristics (continued)**

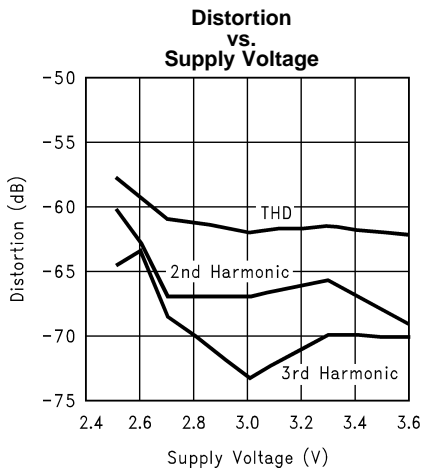
$V_A = V_{DR} = 3V$ ,  $f_{CLK} = 200\text{ MHz}$ ,  $f_{IN} = 50\text{ MHz}$ , unless otherwise stated



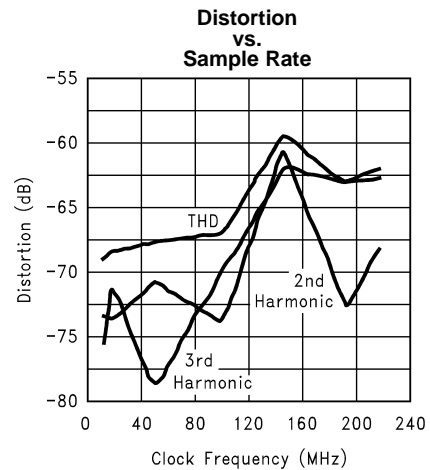
**Figure 15.**



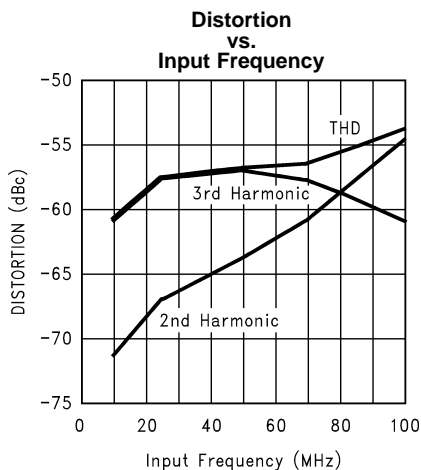
**Figure 16.**



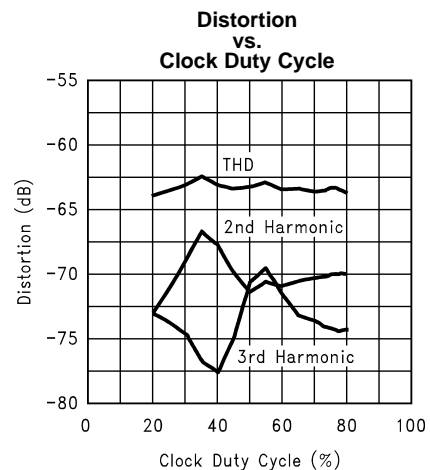
**Figure 17.**



**Figure 18.**



**Figure 19.**



**Figure 20.**

Typical Performance Characteristics (continued)

$V_A = V_{DR} = 3V$ ,  $f_{CLK} = 200\text{ MHz}$ ,  $f_{IN} = 50\text{ MHz}$ , unless otherwise stated

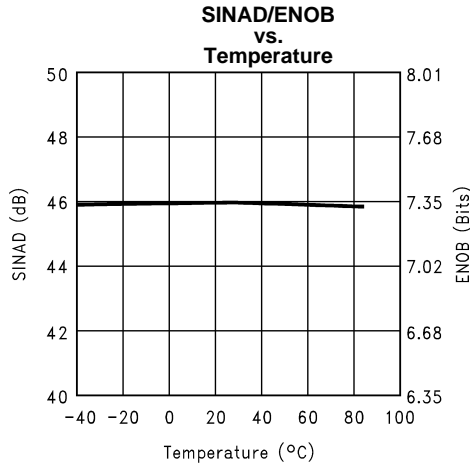


Figure 21.

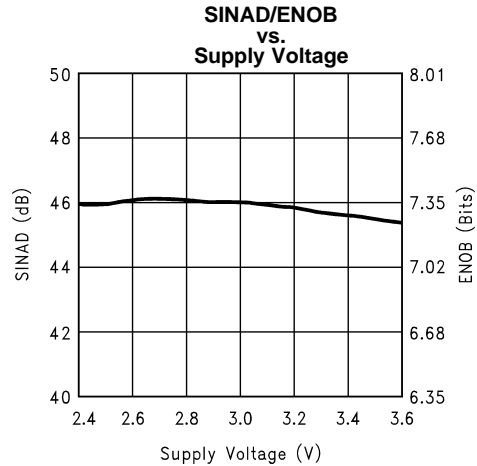


Figure 22.

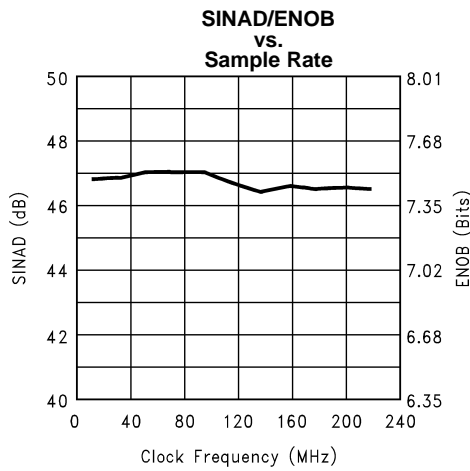


Figure 23.

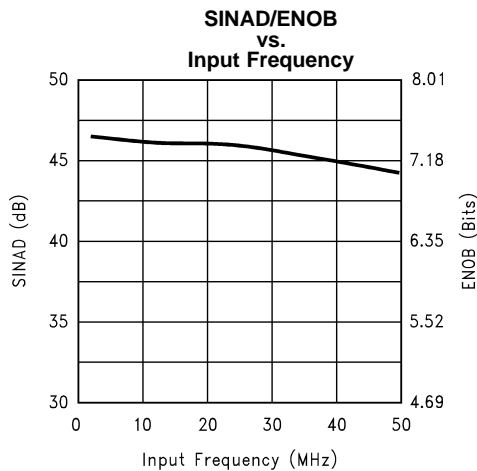


Figure 24.

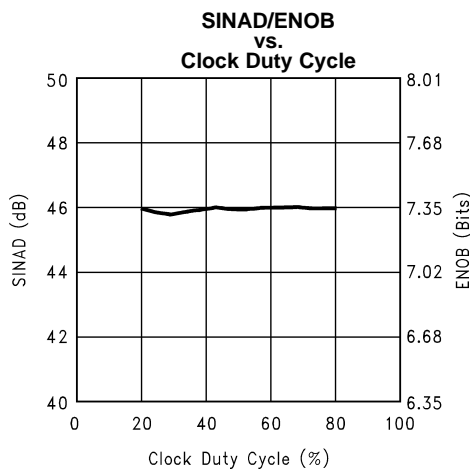


Figure 25.

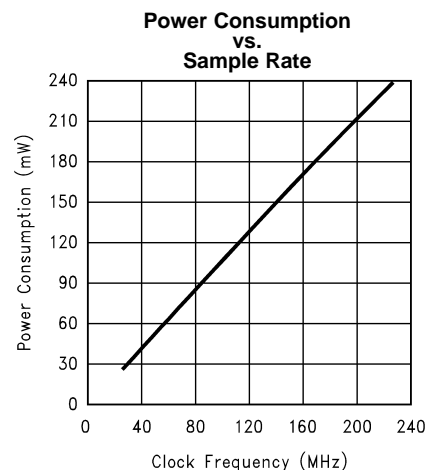
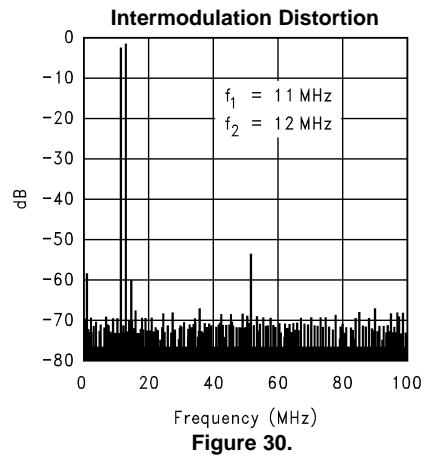
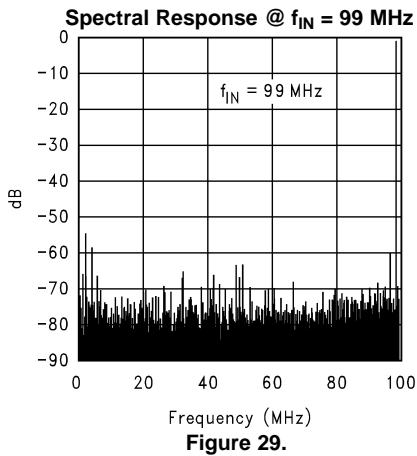
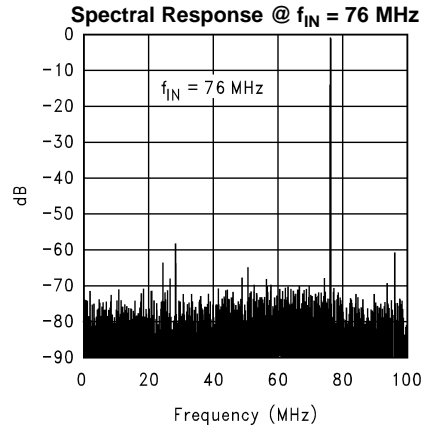
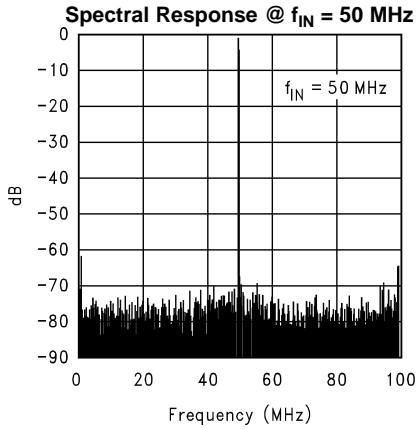


Figure 26.

**Typical Performance Characteristics (continued)**

$V_A = V_{DR} = 3V$ ,  $f_{CLK} = 200\text{ MHz}$ ,  $f_{IN} = 50\text{ MHz}$ , unless otherwise stated



## FUNCTIONAL DESCRIPTION

The ADC08200 uses a new, unique architecture that achieves over 7 effective bits at input frequencies up to and beyond 100 MHz.

The analog input signal that is within the voltage range set by  $V_{RT}$  and  $V_{RB}$  is digitized to eight bits. Input voltages below  $V_{RB}$  will cause the output word to consist of all zeroes. Input voltages above  $V_{RT}$  will cause the output word to consist of all ones.

Incorporating a switched capacitor bandgap, the ADC08200 exhibits a power consumption that is proportional to frequency, limiting power consumption to what is needed at the clock rate that is used. This and its excellent performance over a wide range of clock frequencies makes it an ideal choice as a single ADC for many 8-bit needs.

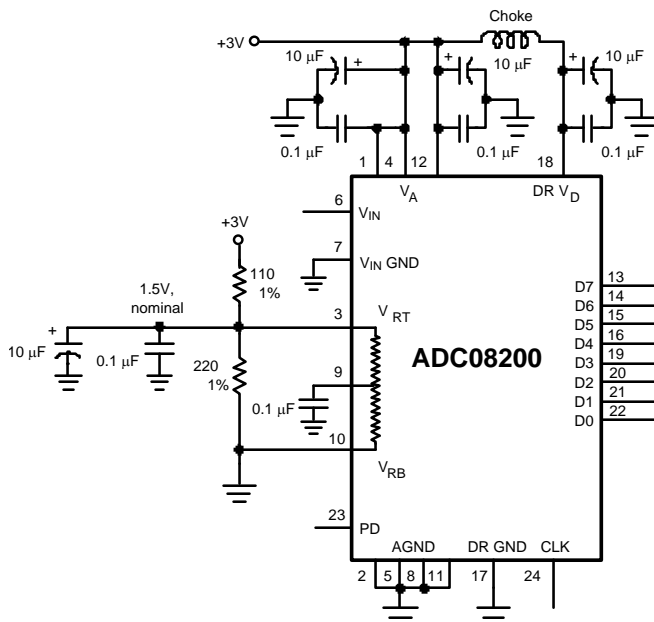
Data is acquired at the rising edge of the clock and the digital equivalent of that data is available at the digital outputs 6 clock cycles plus  $t_{OD}$  later. The ADC08200 will convert as long as the clock signal is present. The output coding is straight binary.

The device is in the active state when the Power Down pin (PD) is low. When the PD pin is high, the device is in the power down mode, where the output pins hold the last conversion before the PD pin went high and the device consumes just 1.4 mW. Holding the clock input low will further reduce the power consumption in the power down mode to about 1 mW.

## APPLICATIONS INFORMATION

### REFERENCE INPUTS

The reference inputs  $V_{RT}$  and  $V_{RB}$  are the top and bottom of the reference ladder, respectively. Input signals between these two voltages will be digitized to 8 bits. External voltages applied to the reference input pins should be within the range specified in the [Operating Ratings Table](#). Any device used to drive the reference pins should be able to source sufficient current into the  $V_{RT}$  pin and sink sufficient current from the  $V_{RB}$  pin to maintain the desired voltages.



Because of the ladder and external resistor tolerances, the reference voltage of this circuit can vary too much for some applications.

**Figure 31. Simple, low component count reference biasing.**

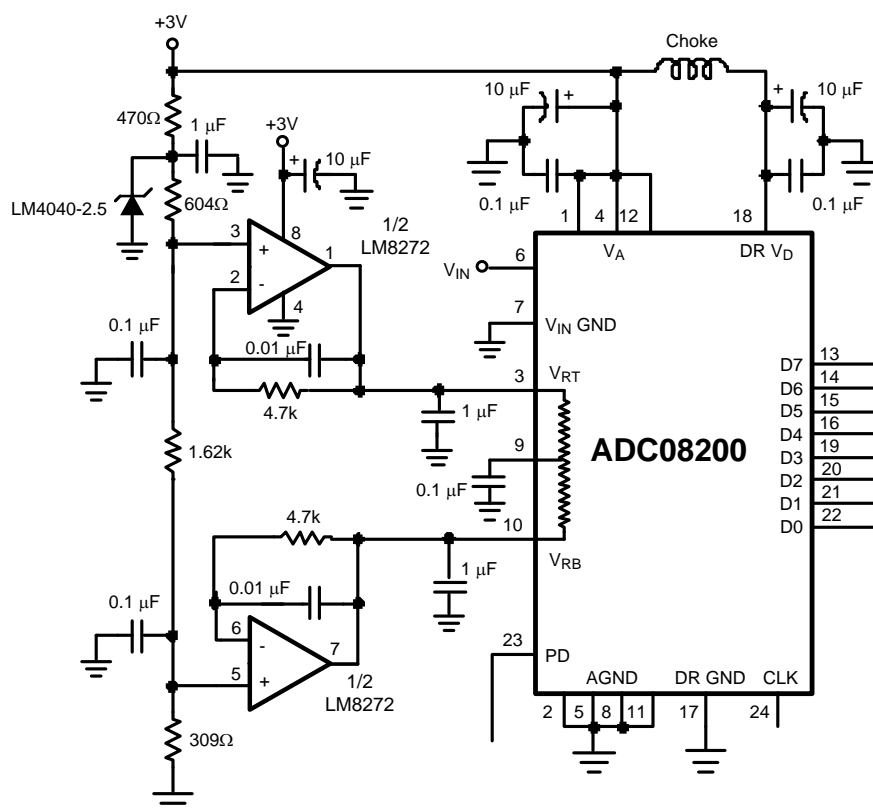
The reference bias circuit of [Figure 31](#) is very simple and the performance is adequate for many applications. However, circuit tolerances will lead to a wide reference voltage range. Better reference stability can be achieved by driving the reference pins with low impedance sources.

The circuit of [Figure 32](#) will allow a more accurate setting of the reference voltages. The upper amplifier must be able to source the reference current as determined by the value of the reference resistor and the value of  $(V_{RT} - V_{RB})$ . The lower amplifier must be able to sink this reference current. Both amplifiers should be stable with a capacitive load. The *LM8272* was chosen because of its rail-to-rail input and output capability, its high current output and its ability to drive large capacitive loads.

The divider resistors at the inputs to the amplifiers could be changed to suit the application reference voltage needs, or the divider can be replaced with potentiometers or DACs for precise settings. The bottom of the ladder ( $V_{RB}$ ) may be returned to ground if the minimum input signal excursion is 0V.

$V_{RT}$  should always be more positive than  $V_{RB}$  by the minimum  $V_{RT} - V_{RB}$  difference in [Electrical Characteristics](#) to minimize noise. While  $V_{RT}$  may be as high as the  $V_A$  supply voltage and  $V_{RB}$  may be as low as ground, the difference between these two voltages ( $V_{RT} - V_{RB}$ ) should not exceed 2.3V to prevent waveform distortion.

The  $V_{RM}$  pin is the center of the reference ladder and should be bypassed to a quiet point in the ground plane with a 0.1  $\mu\text{F}$  capacitor. DO NOT leave this pin open and DO NOT load this pin with more than 10 $\mu\text{A}$ .



**Figure 32.** Driving the reference to force desired values requires driving with a low impedance source.

## THE ANALOG INPUT

The analog input of the ADC08200 is a switch followed by an integrator. The input capacitance changes with the clock level, appearing as 3 pF when the clock is low, and 4 pF when the clock is high. The sampling nature of the analog input causes current spikes at the input that result in voltage spikes there. Any amplifier used to drive the analog input must be able to settle within the clock high time. The LMH6702 and the LMH6628 have been found to be good amplifiers to drive the ADC08200.



Figure 33 shows an example of an input circuit using the LMH6702. Any input amplifier should incorporate some gain as operational amplifiers exhibit better phase margin and transient response with gains above 2 or 3 than with unity gain. If an overall gain of less than 3 is required, attenuate the input and operate the amplifier at a higher gain, as shown in Figure 33.

The RC at the amplifier output filters the clock rate energy that comes out of the analog input due to the input sampling circuit. The optimum time constant for this circuit depends not only upon the amplifier and ADC, but also on the circuit layout and board material. A resistor value should be chosen between 18Ω and 47Ω and the capacitor value chose according to the formula

$$C = \frac{1}{2 \cdot \pi \cdot R \cdot f_{CLK}} \quad (5)$$

The value of "C" in the formula above should include the ADC input capacitance when the clock is high

This will provide optimum SNR performance for Nyquist applications. Best THD performance is realized when the capacitor and resistor values are both zero, but this would compromise SNR and SINAD performance. Generally, the capacitor should not be added for undersampling applications.

The circuit of Figure 33 has both gain and offset adjustments. If you eliminate these adjustments normal circuit tolerances may result in signal clipping unless care is exercised in the worst case analysis of component tolerances and the input signal excursion is appropriately limited to account for the worst case conditions.

Full scale and offset adjustments may also be made by adjusting  $V_{RT}$  and  $V_{RB}$ , perhaps with the aid of a pair of DACs.

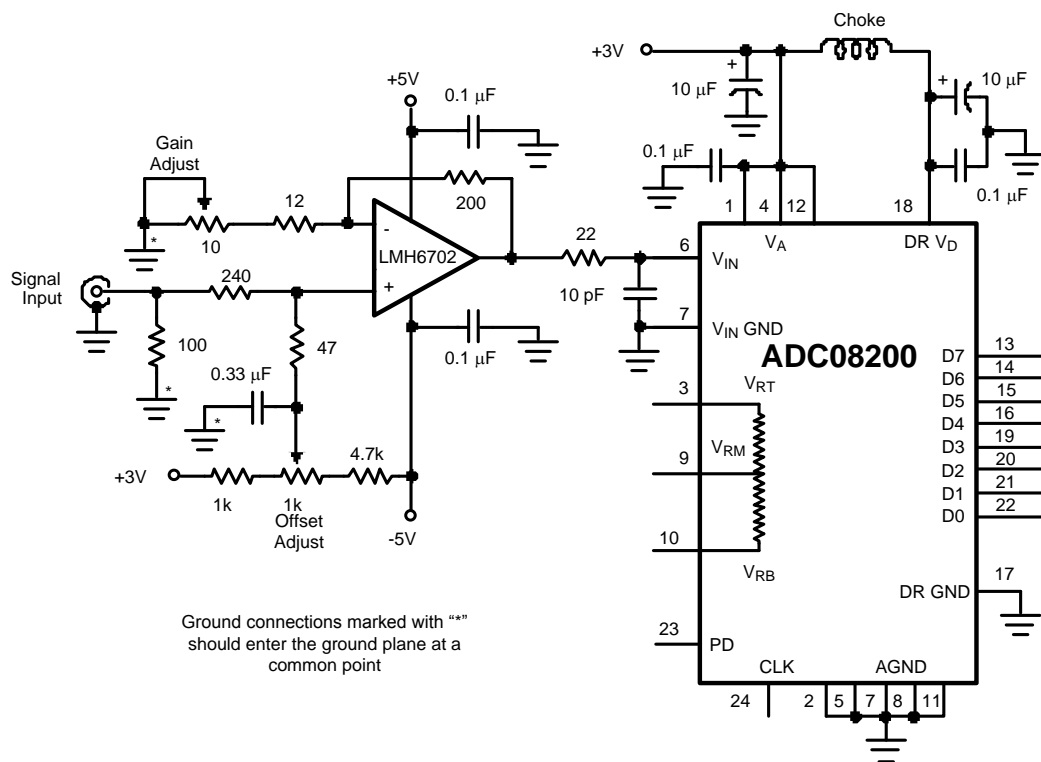


Figure 33. The input amplifier should incorporate some gain for best performance (see text).

## POWER SUPPLY CONSIDERATIONS

A/D converters draw sufficient transient current to corrupt their own power supplies if not adequately bypassed. A 10 μF tantalum or aluminum electrolytic capacitor should be placed within an inch (2.5 cm) of the A/D power pins, with a 0.1 μF ceramic chip capacitor placed within one centimeter of the converter's power supply pins. Leadless chip capacitors are preferred because they have low lead inductance.

While a single voltage source is recommended for the  $V_A$  and  $V_{DR}$  supplies of the ADC08200, these supply pins should be well isolated from each other to prevent any digital noise from being coupled into the analog portions of the ADC. A choke or  $27\Omega$  resistor is recommended between these supply lines with adequate bypass capacitors close to the supply pins.

As is the case with all high speed converters, the ADC08200 should be assumed to have little power supply rejection. None of the supplies for the converter should be the supply that is used for other digital circuitry in any system with a lot of digital power being consumed. The ADC supplies should be the same supply used for other analog circuitry.

No pin should ever have a voltage on it that is in excess of the supply voltage or below ground by more than 300 mV, not even on a transient basis. This can be a problem upon application of power and power shut-down. Be sure that the supplies to circuits driving any of the input pins, analog or digital, do not come up any faster than does the voltage at the ADC08200 power pins.

## THE DIGITAL INPUT PINS

The ADC08200 has two digital input pins: The PD pin and the Clock pin.

### The PD Pin

The Power Down (PD) pin, when high, puts the ADC08200 into a low power mode where power consumption is reduced to about 1.4 mW with the clock running, or to about 1 mW with the clock held low. Output data is valid and accurate about 1 microsecond after the PD pin is brought low.

The digital output pins retain the last conversion output code when either the clock is stopped or the PD pin is high.

### The ADC08200 Clock

Although the ADC08200 is tested and its performance is ensured with a 200 MHz clock, it typically will function well with clock frequencies from 10 MHz to 230 MHz.

The low and high times of the clock signal can affect the performance of any A/D Converter. Because achieving a precise duty cycle is difficult, the ADC08200 is designed to maintain performance over a range of duty cycles. While it is specified and performance is ensured with a 50% clock duty cycle and 200 Msp/s, ADC08200 performance is typically maintained with clock high and low times of 0.65 ns and 0.87 ns, respectively, corresponding to a clock duty cycle range of 13% to 82.5% with a 200 MHz clock. Note that minimum low and high times may not be simultaneously asserted.

The **CLOCK** line should be series terminated at the clock source in the characteristic impedance of that line if the clock line is longer than

$$\frac{t_r}{6 \times t_{prop}}$$

where

- $t_r$  is the clock rise time
- $t_{prop}$  is the propagation rate of the signal along the trace
- 

(6)

Typical  $t_{prop}$  is about 150 ps/inch (59 ps/cm) on FR-4 board material.

If the clock source is used to drive more than just the ADC08200, the **CLOCK** pin should be a.c. terminated with a series RC to ground such that the resistor value is equal to the characteristic impedance of the clock line and the capacitor value is

$$C \geq \frac{4 \times t_{prop} \times L}{Z_0}$$

where

- $t_{PD}$  is the signal propagation rate down the clock line
- "L" is the line length
- $Z_0$  is the characteristic impedance of the clock line

(7)

This termination should be located as close as possible to, but within one centimeter of, the ADC08200 clock pin. Further, this termination should be close to but beyond the ADC08200 clock pin as seen from the clock source. Typical  $t_{prop}$  is about 150 ps/inch on FR-4 board material. For FR-4 board material, the value of C becomes

$$C \geq \frac{6 \times 10^{-10} \times L}{Z_0}$$

where

- L is the length of the clock line in inches (8)

This termination should be located as close as possible to, but within one centimeter of, the ADC08200 clock pin.

## LAYOUT AND GROUNDING

Proper grounding and proper routing of all signals are essential to ensure accurate conversion. A combined analog and digital ground plane should be used.

Coupling between the typically noisy digital circuitry and the sensitive analog circuitry can lead to poor performance that may seem impossible to isolate and remedy. The solution is to keep all lines separated from each other by at least six times the height above the reference plane, and to keep the analog circuitry well separated from the digital circuitry.

The DR GND connection to the ground plane should not use the same feedthrough used by other ground connections.

High power digital components should not be located on or near a straight line between the ADC or any linear component and the power supply area as the resulting common return current path could cause fluctuation in the analog input “ground” return of the ADC.

Generally, analog and digital lines should cross each other at 90° to avoid getting digital noise into the analog path. In high frequency systems, however, avoid crossing analog and digital lines altogether. Clock lines should be isolated from ALL other lines, analog AND digital. Even the generally accepted 90° crossing should be avoided as even a little coupling can cause problems at high frequencies. Best performance at high frequencies is obtained with a straight signal path.

The analog input should be isolated from noisy signal traces to avoid coupling of spurious signals into the input. Any external component (e.g., a filter capacitor) connected between the converter's input and ground should be connected to a very clean point in the ground plane.

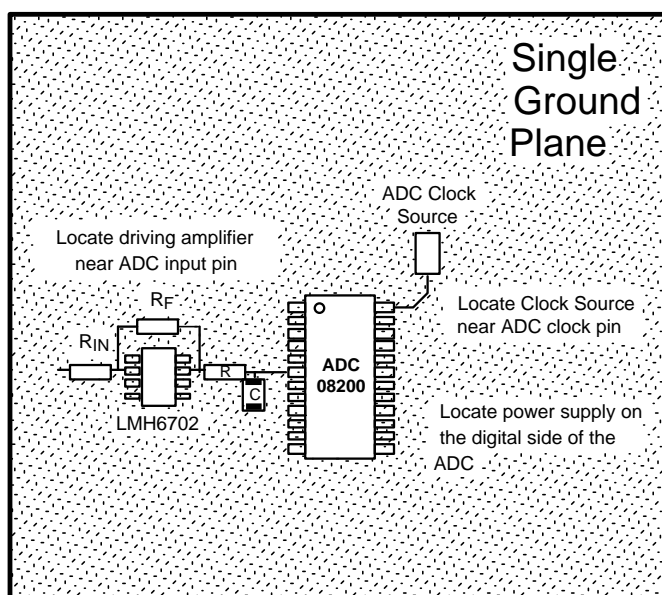


Figure 34. Layout Example

Figure 34 gives an example of a suitable layout. All analog circuitry (input amplifiers, filters, reference components, etc.) should be placed together away from any digital components.

## DYNAMIC PERFORMANCE

The ADC08200 is a.c. tested and its dynamic performance is ensured. To meet the published specifications, the clock source driving the CLK input must exhibit less than 2 ps (rms) of jitter. For best a.c. performance, isolating the ADC clock from any digital circuitry should be done with adequate buffers, as with a clock tree. See Figure 35.

It is good practice to keep the ADC clock line as short as possible and to keep it well away from any other signals. Other signals can introduce jitter into the clock signal. The clock signal can also introduce noise into the analog path.

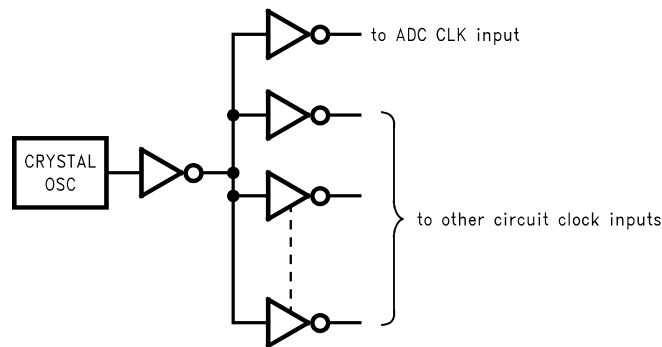


Figure 35. Isolating the ADC Clock from Digital Circuitry

## COMMON APPLICATION PITFALLS

**Driving the inputs (analog or digital) beyond the power supply rails.** For proper operation, all inputs should not go more than 300 mV below the ground pins or 300 mV above the supply pins. Exceeding these limits on even a transient basis may cause faulty or erratic operation. It is not uncommon for high speed digital circuits (e.g., 74F and 74AC devices) to exhibit undershoot that goes more than a volt below ground. A 51Ω resistor in series with the offending digital input will usually eliminate the problem.

Care should be taken not to overdrive the inputs of the ADC08200. Such practice may lead to conversion inaccuracies and even to device damage.

**Attempting to drive a high capacitance digital data bus.** The more capacitance the output drivers must charge for each conversion, the more instantaneous digital current is required from  $V_{DR}$  and DR GND. These large charging current spikes can couple into the analog section, degrading dynamic performance. Buffering the digital data outputs (with a 74AF541, for example) may be necessary if the data bus capacitance exceeds 5 pF. Dynamic performance can also be improved by adding 47Ω to 56Ω series resistors at each digital output, reducing the energy coupled back into the converter input pins.

**Using an inadequate amplifier to drive the analog input.** As explained in [THE ANALOG INPUT](#), the capacitance seen at the input alternates between 3 pF and 4 pF with the clock. This dynamic capacitance is more difficult to drive than is a fixed capacitance, and should be considered when choosing a driving device.

**Driving the  $V_{RT}$  pin or the  $V_{RB}$  pin with devices that can not source or sink the current required by the ladder.** As mentioned in [REFERENCE INPUTS](#), care should be taken to see that any driving devices can source sufficient current into the  $V_{RT}$  pin and sink sufficient current from the  $V_{RB}$  pin. If these pins are not driven with devices than can handle the required current, these reference pins will not be stable, resulting in a reduction of dynamic performance.

**Using a clock source with excessive jitter, using an excessively long clock signal trace, or having other signals coupled to the clock signal trace.** This will cause the sampling interval to vary, causing excessive output noise and a reduction in SNR performance. The use of simple gates with RC timing is generally inadequate as a clock source.

---

**REVISION HISTORY**

| <b>Changes from Revision L (March 2013) to Revision M</b>  | <b>Page</b>              |
|--|--------------------------|
| <hr/> <ul style="list-style-type: none"><li>• Changed layout of National Data Sheet to TI format .....</li></ul> | <hr/> <a href="#">20</a> |

**PACKAGING INFORMATION**

| Orderable Device   | Status<br>(1) | Package Type | Package<br>Drawing | Pins | Package<br>Qty | Eco Plan<br>(2)            | Lead/Ball Finish<br>(6) | MSL Peak Temp<br>(3) | Op Temp (°C) | Device Marking<br>(4/5) | Samples        |
|--------------------|---------------|--------------|--------------------|------|----------------|----------------------------|-------------------------|----------------------|--------------|-------------------------|----------------|
| ADC08200CIMT       | NRND          | TSSOP        | PW                 | 24   | 61             | TBD                        | Call TI                 | Call TI              | -40 to 85    | ADC08200<br>CIMT        |                |
| ADC08200CIMT/NOPB  | ACTIVE        | TSSOP        | PW                 | 24   | 61             | Green (RoHS<br>& no Sb/Br) | CU SN                   | Level-1-260C-UNLIM   | -40 to 85    | ADC08200<br>CIMT        | <b>Samples</b> |
| ADC08200CIMTX/NOPB | ACTIVE        | TSSOP        | PW                 | 24   | 2500           | Green (RoHS<br>& no Sb/Br) | CU SN                   | Level-1-260C-UNLIM   | -40 to 85    | ADC08200<br>CIMT        | <b>Samples</b> |

(1) The marketing status values are defined as follows:

**ACTIVE:** Product device recommended for new designs.

**LIFEBUY:** TI has announced that the device will be discontinued, and a lifetime-buy period is in effect.

**NRND:** Not recommended for new designs. Device is in production to support existing customers, but TI does not recommend using this part in a new design.

**PREVIEW:** Device has been announced but is not in production. Samples may or may not be available.

**OBsolete:** TI has discontinued the production of the device.

(2) Eco Plan - The planned eco-friendly classification: Pb-Free (RoHS), Pb-Free (RoHS Exempt), or Green (RoHS & no Sb/Br) - please check <http://www.ti.com/productcontent> for the latest availability information and additional product content details.

**TBD:** The Pb-Free/Green conversion plan has not been defined.

**Pb-Free (RoHS):** TI's terms "Lead-Free" or "Pb-Free" mean semiconductor products that are compatible with the current RoHS requirements for all 6 substances, including the requirement that lead not exceed 0.1% by weight in homogeneous materials. Where designed to be soldered at high temperatures, TI Pb-Free products are suitable for use in specified lead-free processes.

**Pb-Free (RoHS Exempt):** This component has a RoHS exemption for either 1) lead-based flip-chip solder bumps used between the die and package, or 2) lead-based die adhesive used between the die and leadframe. The component is otherwise considered Pb-Free (RoHS compatible) as defined above.

**Green (RoHS & no Sb/Br):** TI defines "Green" to mean Pb-Free (RoHS compatible), and free of Bromine (Br) and Antimony (Sb) based flame retardants (Br or Sb do not exceed 0.1% by weight in homogeneous material)

(3) MSL, Peak Temp. - The Moisture Sensitivity Level rating according to the JEDEC industry standard classifications, and peak solder temperature.

(4) There may be additional marking, which relates to the logo, the lot trace code information, or the environmental category on the device.

(5) Multiple Device Markings will be inside parentheses. Only one Device Marking contained in parentheses and separated by a "~" will appear on a device. If a line is indented then it is a continuation of the previous line and the two combined represent the entire Device Marking for that device.

(6) Lead/Ball Finish - Orderable Devices may have multiple material finish options. Finish options are separated by a vertical ruled line. Lead/Ball Finish values may wrap to two lines if the finish value exceeds the maximum column width.

**Important Information and Disclaimer:** The information provided on this page represents TI's knowledge and belief as of the date that it is provided. TI bases its knowledge and belief on information provided by third parties, and makes no representation or warranty as to the accuracy of such information. Efforts are underway to better integrate information from third parties. TI has taken and

---

continues to take reasonable steps to provide representative and accurate information but may not have conducted destructive testing or chemical analysis on incoming materials and chemicals. TI and TI suppliers consider certain information to be proprietary, and thus CAS numbers and other limited information may not be available for release.

In no event shall TI's liability arising out of such information exceed the total purchase price of the TI part(s) at issue in this document sold by TI to Customer on an annual basis.

## TAPE AND REEL INFORMATION



### QUADRANT ASSIGNMENTS FOR PIN 1 ORIENTATION IN TAPE



\*All dimensions are nominal

| Device             | Package Type | Package Drawing | Pins | SPQ  | Reel Diameter (mm) | Reel Width W1 (mm) | A0 (mm) | B0 (mm) | K0 (mm) | P1 (mm) | W (mm) | Pin1 Quadrant |
|--------------------|--------------|-----------------|------|------|--------------------|--------------------|---------|---------|---------|---------|--------|---------------|
| ADC08200CIMTX/NOPB | TSSOP        | PW              | 24   | 2500 | 330.0              | 16.4               | 6.95    | 8.3     | 1.6     | 8.0     | 16.0   | Q1            |



**TAPE AND REEL BOX DIMENSIONS**

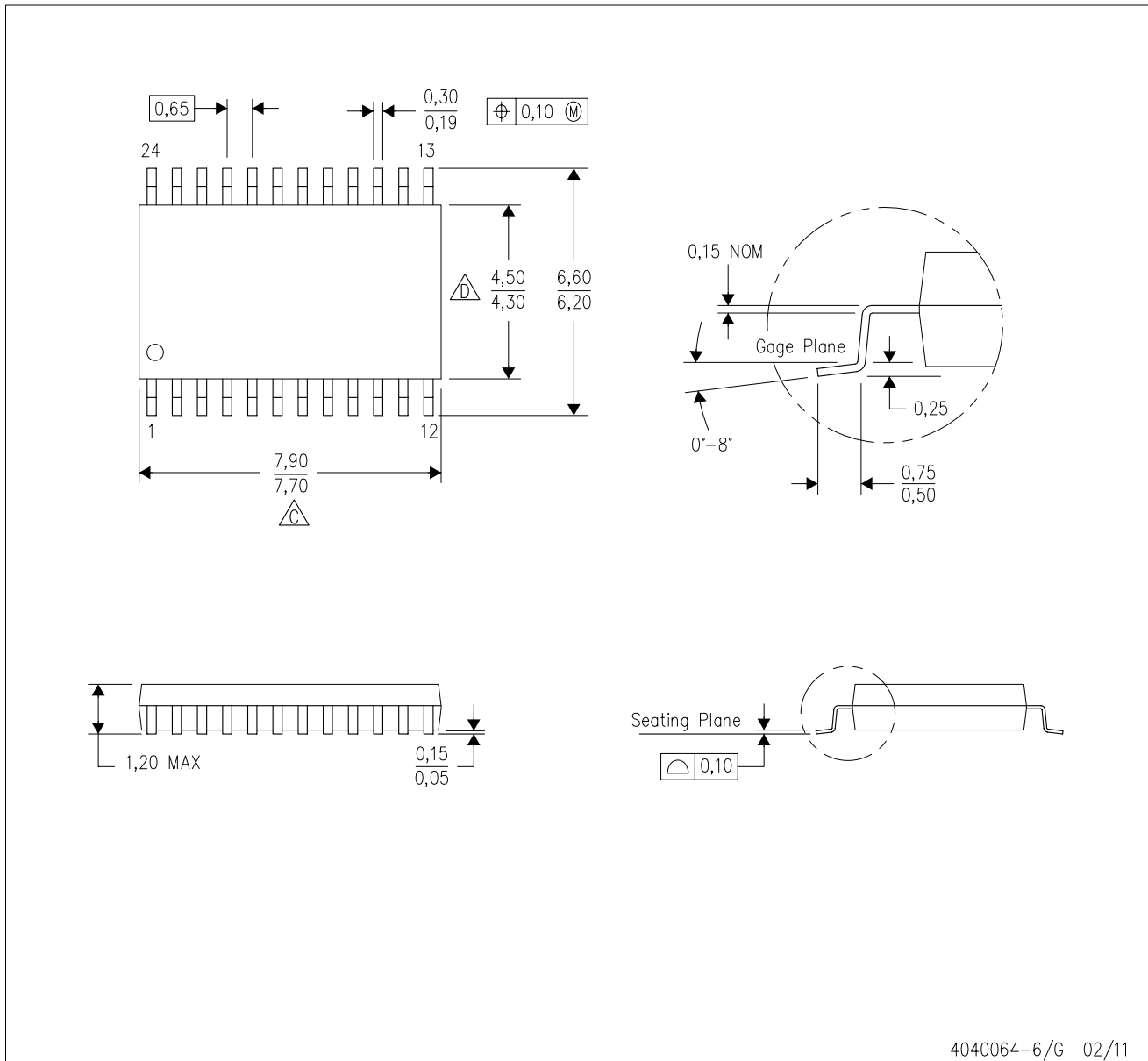


\*All dimensions are nominal

| Device             | Package Type | Package Drawing | Pins | SPQ  | Length (mm) | Width (mm) | Height (mm) |
|--------------------|--------------|-----------------|------|------|-------------|------------|-------------|
| ADC08200CIMTX/NOPB | TSSOP        | PW              | 24   | 2500 | 367.0       | 367.0      | 35.0        |

PW (R-PDSO-G24)

PLASTIC SMALL OUTLINE



4040064-6/G 02/11

- NOTES:
- A. All linear dimensions are in millimeters. Dimensioning and tolerancing per ASME Y14.5M-1994.
  - B. This drawing is subject to change without notice.
  - C. Body length does not include mold flash, protrusions, or gate burrs. Mold flash, protrusions, or gate burrs shall not exceed 0,15 each side.
  - D. Body width does not include interlead flash. Interlead flash shall not exceed 0,25 each side.
  - E. Falls within JEDEC MO-153

## IMPORTANT NOTICE

Texas Instruments Incorporated and its subsidiaries (TI) reserve the right to make corrections, enhancements, improvements and other changes to its semiconductor products and services per JESD46, latest issue, and to discontinue any product or service per JESD48, latest issue. Buyers should obtain the latest relevant information before placing orders and should verify that such information is current and complete. All semiconductor products (also referred to herein as "components") are sold subject to TI's terms and conditions of sale supplied at the time of order acknowledgment.

TI warrants performance of its components to the specifications applicable at the time of sale, in accordance with the warranty in TI's terms and conditions of sale of semiconductor products. Testing and other quality control techniques are used to the extent TI deems necessary to support this warranty. Except where mandated by applicable law, testing of all parameters of each component is not necessarily performed.

TI assumes no liability for applications assistance or the design of Buyers' products. Buyers are responsible for their products and applications using TI components. To minimize the risks associated with Buyers' products and applications, Buyers should provide adequate design and operating safeguards.

TI does not warrant or represent that any license, either express or implied, is granted under any patent right, copyright, mask work right, or other intellectual property right relating to any combination, machine, or process in which TI components or services are used. Information published by TI regarding third-party products or services does not constitute a license to use such products or services or a warranty or endorsement thereof. Use of such information may require a license from a third party under the patents or other intellectual property of the third party, or a license from TI under the patents or other intellectual property of TI.

Reproduction of significant portions of TI information in TI data books or data sheets is permissible only if reproduction is without alteration and is accompanied by all associated warranties, conditions, limitations, and notices. TI is not responsible or liable for such altered documentation. Information of third parties may be subject to additional restrictions.

Resale of TI components or services with statements different from or beyond the parameters stated by TI for that component or service voids all express and any implied warranties for the associated TI component or service and is an unfair and deceptive business practice. TI is not responsible or liable for any such statements.

Buyer acknowledges and agrees that it is solely responsible for compliance with all legal, regulatory and safety-related requirements concerning its products, and any use of TI components in its applications, notwithstanding any applications-related information or support that may be provided by TI. Buyer represents and agrees that it has all the necessary expertise to create and implement safeguards which anticipate dangerous consequences of failures, monitor failures and their consequences, lessen the likelihood of failures that might cause harm and take appropriate remedial actions. Buyer will fully indemnify TI and its representatives against any damages arising out of the use of any TI components in safety-critical applications.

In some cases, TI components may be promoted specifically to facilitate safety-related applications. With such components, TI's goal is to help enable customers to design and create their own end-product solutions that meet applicable functional safety standards and requirements. Nonetheless, such components are subject to these terms.

No TI components are authorized for use in FDA Class III (or similar life-critical medical equipment) unless authorized officers of the parties have executed a special agreement specifically governing such use.

Only those TI components which TI has specifically designated as military grade or "enhanced plastic" are designed and intended for use in military/aerospace applications or environments. Buyer acknowledges and agrees that any military or aerospace use of TI components which have **not** been so designated is solely at the Buyer's risk, and that Buyer is solely responsible for compliance with all legal and regulatory requirements in connection with such use.

TI has specifically designated certain components as meeting ISO/TS16949 requirements, mainly for automotive use. In any case of use of non-designated products, TI will not be responsible for any failure to meet ISO/TS16949.

### Products

|                              |  |
|------------------------------|--|
| Audio                        | <a href="http://www.ti.com/audio">www.ti.com/audio</a>                               |
| Amplifiers                   | <a href="http://amplifier.ti.com">amplifier.ti.com</a>                               |
| Data Converters              | <a href="http://dataconverter.ti.com">dataconverter.ti.com</a>                       |
| DLP® Products                | <a href="http://www.dlp.com">www.dlp.com</a>   |
| DSP                          | <a href="http://dsp.ti.com">dsp.ti.com</a>   |
| Clocks and Timers            | <a href="http://www.ti.com/clocks">www.ti.com/clocks</a>                             |
| Interface                    | <a href="http://interface.ti.com">interface.ti.com</a>                               |
| Logic                        | <a href="http://logic.ti.com">logic.ti.com</a>                                       |
| Power Mgmt                   | <a href="http://power.ti.com">power.ti.com</a>                                       |
| Microcontrollers             | <a href="http://microcontroller.ti.com">microcontroller.ti.com</a>                   |
| RFID                         | <a href="http://www.ti-rfid.com">www.ti-rfid.com</a>                                 |
| OMAP Applications Processors | <a href="http://www.ti.com/omap">www.ti.com/omap</a>                                 |
| Wireless Connectivity        | <a href="http://www.ti.com/wirelessconnectivity">www.ti.com/wirelessconnectivity</a> |

### Applications

|                               |  |
|-------------------------------|--|
| Automotive and Transportation | <a href="http://www.ti.com/automotive">www.ti.com/automotive</a>                         |
| Communications and Telecom    | <a href="http://www.ti.com/communications">www.ti.com/communications</a>                 |
| Computers and Peripherals     | <a href="http://www.ti.com/computers">www.ti.com/computers</a>                           |
| Consumer Electronics          | <a href="http://www.ti.com/consumer-apps">www.ti.com/consumer-apps</a>                   |
| Energy and Lighting           | <a href="http://www.ti.com/energy">www.ti.com/energy</a>                                 |
| Industrial                    | <a href="http://www.ti.com/industrial">www.ti.com/industrial</a>                         |
| Medical                       | <a href="http://www.ti.com/medical">www.ti.com/medical</a>                               |
| Security                      | <a href="http://www.ti.com/security">www.ti.com/security</a>                             |
| Space, Avionics and Defense   | <a href="http://www.ti.com/space-avionics-defense">www.ti.com/space-avionics-defense</a> |
| Video and Imaging             | <a href="http://www.ti.com/video">www.ti.com/video</a>                                   |

### TI E2E Community

[e2e.ti.com](http://e2e.ti.com)